



US00D889229S

(12) **United States Design Patent**
Hochstrasser

(10) **Patent No.:** **US D889,229 S**
(45) **Date of Patent:** **** Jul. 7, 2020**

(54) **STRAPPING DEVICE**

- (71) Applicant: **Signode Industrial Group LLC**,
Glenview, IL (US)
- (72) Inventor: **Samuel Hochstrasser**, Fällanden (CH)
- (73) Assignee: **Signode Industrial Group LLC**,
Glenview, IL (US)
- (**) Term: **15 Years**
- (21) Appl. No.: **29/722,914**
- (22) Filed: **Feb. 3, 2020**

Related U.S. Application Data

- (63) Continuation of application No. 29/705,106, filed on Sep. 10, 2019, now Pat. No. Des. 874,897, which is a continuation of application No. 29/598,733, filed on Mar. 28, 2017, now Pat. No. Des. 864,688.

(30) **Foreign Application Priority Data**

Jan. 30, 2017 (DE) 40 2017 200 401

(51) **LOC (12) Cl.** **08-01**

(52) **U.S. Cl.**
USPC **D8/61; D15/145**

(58) **Field of Classification Search**
USPC D8/41, 61, 67; D15/122, 145, 146, 199
CPC B65B 57/04; B65B 59/04; B65B 2210/12;
B65B 13/00; B65B 13/06; B65B 13/16;
(Continued)

(56) **References Cited**

U.S. PATENT DOCUMENTS

2,194,108 A 3/1940 Parvin
2,707,429 A 5/1955 Leslie, II et al.
3,013,589 A 12/1961 Holford

(Continued)

FOREIGN PATENT DOCUMENTS

CA 2432353 A1 12/2003
CH 705745 A2 5/2013

(Continued)

OTHER PUBLICATIONS

“Evaluation Report of Design Patent”, CNIPA, from corresponding Chinese Design Patent No. 201730340255.7, Jul. 23, 2019.

(Continued)

Primary Examiner — Patricia A Palasik

(74) *Attorney, Agent, or Firm* — Neal, Gerber & Eisenberg LLP

(57) **CLAIM**

The ornamental design for a strapping device, as shown and described.

DESCRIPTION

FIG. 1 is a front top right-side perspective view of a strapping device of one embodiment of our new design.

FIG. 2 is a front elevational view of the strapping device of FIG. 1.

FIG. 3 is a rear elevational view of the strapping device of FIG. 1.

FIG. 4 is a right-side elevational view of the strapping device of FIG. 1.

FIG. 5 is a left-side elevational view of the strapping device of FIG. 1.

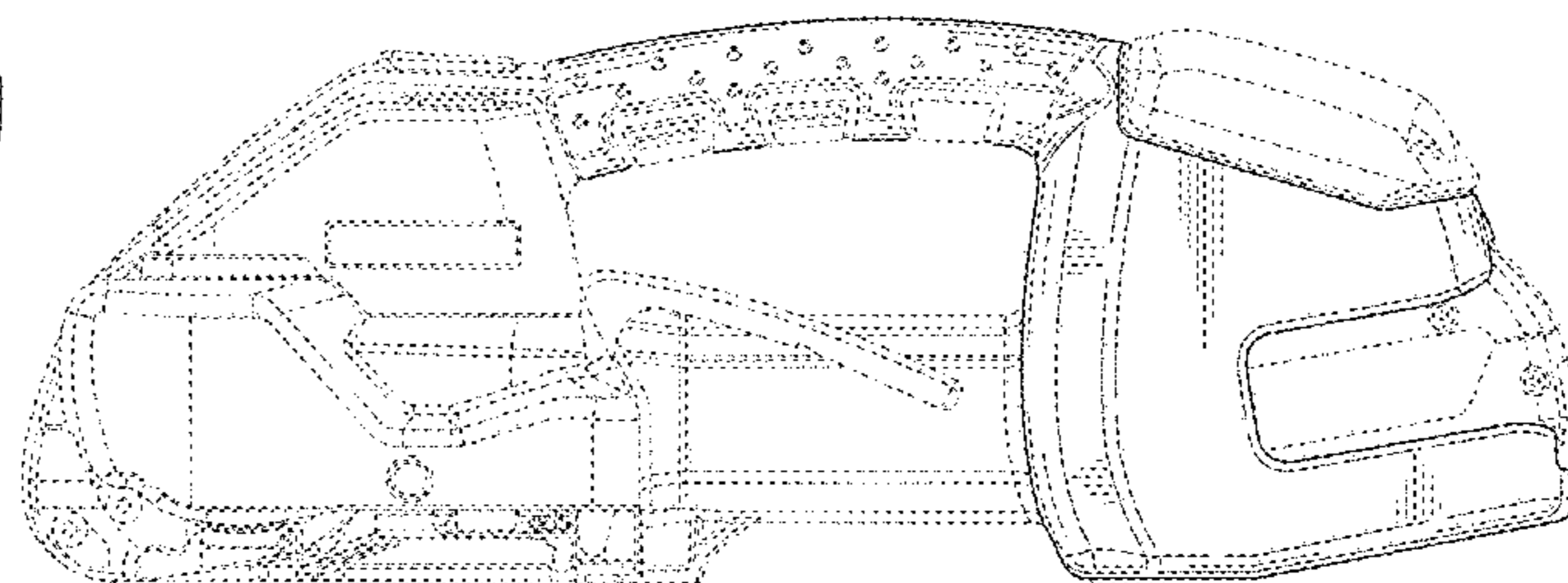
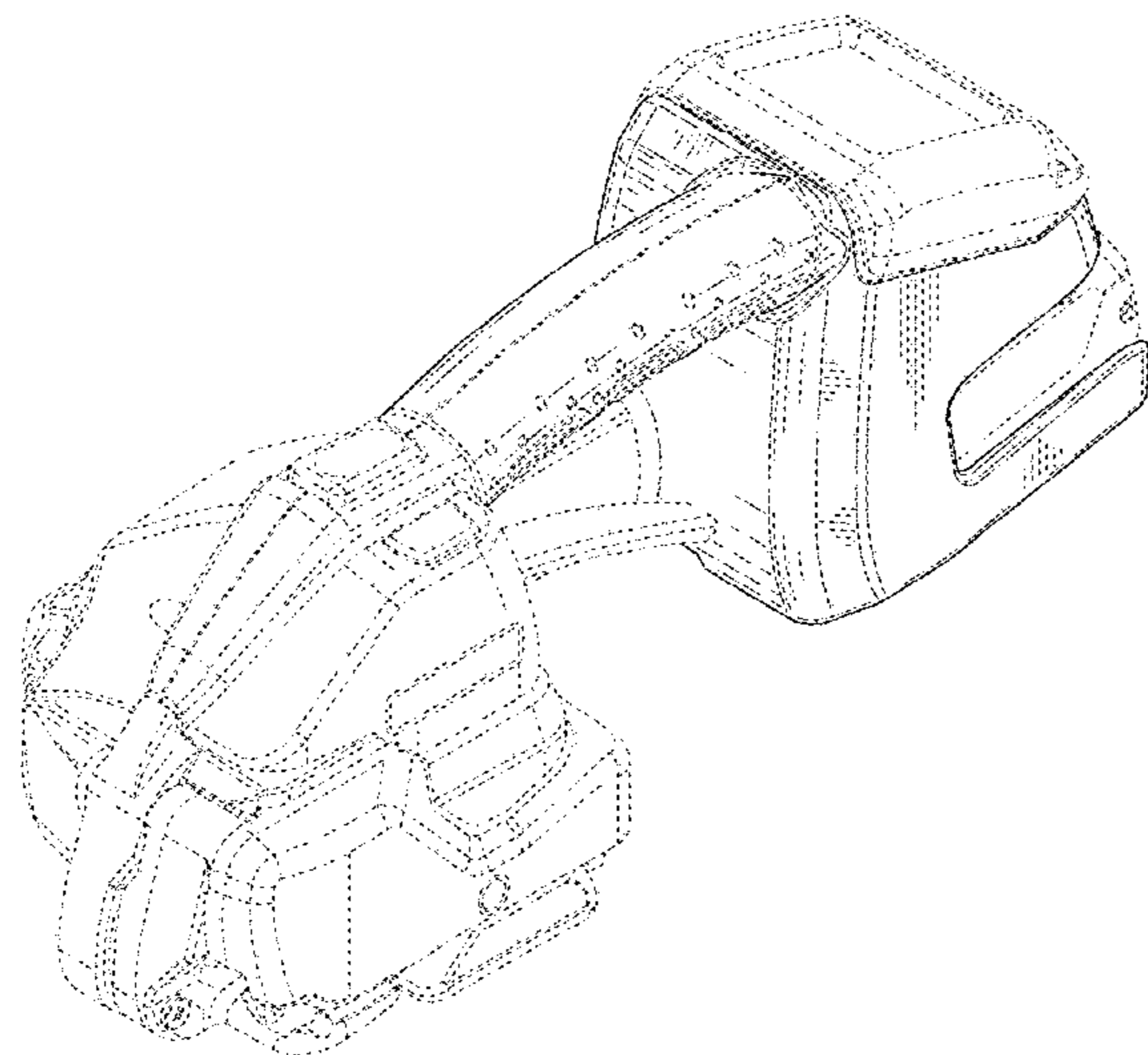
FIG. 6 is a top plan view of the strapping device of FIG. 1.

FIG. 7 is a bottom plan view of the strapping device of FIG. 1; and,

FIG. 8 is a rear bottom left-side perspective view of the strapping device of FIG. 1.

The broken lines in the drawings depict portions of the strapping device which form no part of the claimed design.

1 Claim, 8 Drawing Sheets



(58) **Field of Classification Search**
 CPC B65B 13/18; B65B 13/32; B65B 13/285;
 E04G 21/122; E04G 21/123
 See application file for complete search history.

(56) **References Cited**

U.S. PATENT DOCUMENTS

3,120,171 A 2/1964 Hall et al.
 3,232,217 A 2/1966 Harmon et al.
 3,367,374 A 2/1968 Meier et al.
 3,654,033 A 4/1972 Angarola et al.
 4,011,807 A 3/1977 Kobiella
 4,015,643 A 4/1977 Cheung
 4,050,372 A 9/1977 Kobiella
 4,240,865 A 12/1980 Kyts
 4,313,779 A 2/1982 Nix
 4,450,032 A 5/1984 Wehr
 4,495,972 A 1/1985 Walker
 4,502,911 A 3/1985 Discavage
 4,534,817 A 8/1985 O'Sullivan
 4,535,730 A 8/1985 Allen
 4,572,064 A 2/1986 Burton
 4,707,390 A 11/1987 Cheung
 4,724,659 A 2/1988 Mori et al.
 D295,525 S 5/1988 Sakaki et al.
 4,776,905 A 10/1988 Cheung et al.
 D307,435 S 4/1990 Sakaki et al.
 D308,977 S 7/1990 Sakaki
 5,133,532 A 7/1992 Figiel et al.
 5,146,847 A 9/1992 Lyon et al.
 5,155,982 A 10/1992 Boek et al.
 5,159,218 A 10/1992 Murry et al.
 5,267,508 A 12/1993 Yoshino
 5,379,576 A 1/1995 Koyama
 5,516,022 A 5/1996 Annis
 5,651,306 A 7/1997 Hoshino
 5,689,943 A 11/1997 Wehr
 5,690,023 A 11/1997 Stamm et al.
 5,798,596 A 8/1998 Lordo
 5,809,873 A 9/1998 Chak et al.
 5,944,064 A 8/1999 Saito et al.
 6,003,578 A 12/1999 Chang
 D424,078 S 5/2000 Chin-Chang
 6,109,325 A 8/2000 Chang
 6,308,760 B1 10/2001 Finzo et al.
 6,332,306 B1 12/2001 Finzo et al.
 6,367,732 B1 4/2002 Bobren et al.
 6,405,766 B1 6/2002 Benjey
 6,463,721 B1 10/2002 Su et al.
 6,516,715 B1 2/2003 Reiche
 6,543,341 B2 4/2003 Lopez
 6,568,159 B2 5/2003 Kawai et al.
 6,578,337 B2 6/2003 Scholl et al.
 6,606,766 B2 8/2003 Ko
 6,644,713 B2 11/2003 Del et al.
 6,711,883 B2 3/2004 Schwede et al.
 D488,822 S 4/2004 Shibazaki et al.
 6,715,375 B2 4/2004 Nestler
 6,729,357 B2 5/2004 Marsche
 6,732,638 B1 5/2004 Rometty et al.
 6,745,678 B1 6/2004 Liu et al.
 6,786,026 B2 9/2004 Helmrich
 6,789,469 B1 9/2004 Tipton et al.
 6,817,159 B2 11/2004 Sakaki et al.
 6,820,402 B1 11/2004 Haberstroh et al.
 6,857,252 B2 2/2005 Haberstroh et al.
 6,877,420 B2 4/2005 Sickels
 6,918,235 B2 7/2005 Nix
 6,931,986 B1 8/2005 Liu et al.
 6,955,119 B2 10/2005 Bobren et al.
 6,994,019 B1 2/2006 Liu et al.
 7,011,000 B2 3/2006 Kushida et al.
 7,073,431 B1 7/2006 Chen
 7,121,194 B2 10/2006 Pearson et al.
 D546,852 S 7/2007 Shimojima
 7,240,612 B1 7/2007 Kirar et al.

7,249,862 B2 7/2007 Shirane
 7,263,928 B1 9/2007 Holden et al.
 7,270,054 B2 9/2007 Bobren et al.
 7,270,055 B1 9/2007 Haberstroh et al.
 7,312,609 B2 12/2007 Schmollngruber et al.
 7,454,877 B2 11/2008 Morrison
 7,456,608 B2 11/2008 Kageler et al.
 D629,321 S 12/2010 Neeser et al.
 7,861,649 B2 1/2011 Bobren et al.
 D651,498 S 1/2012 Neeser et al.
 D653,923 S 2/2012 Neeser et al.
 8,198,839 B2 6/2012 Katou et al.
 8,378,600 B2 2/2013 Katou et al.
 8,522,678 B2 9/2013 Liu et al.
 8,607,695 B2 12/2013 Schwede
 8,689,684 B2 4/2014 Haberstroh et al.
 8,931,404 B2 1/2015 Lai
 8,931,405 B2 1/2015 Lai
 8,967,217 B2 3/2015 Gardner et al.
 9,174,752 B2 11/2015 Neeser et al.
 9,193,486 B2 11/2015 Neeser et al.
 9,254,932 B2 2/2016 Neeser et al.
 9,284,080 B2 3/2016 Neeser et al.
 9,315,283 B2 4/2016 Neeser et al.
 9,745,090 B2 8/2017 Haberstroh et al.
 9,932,135 B2 4/2018 Finzo et al.
 10,322,830 B2 6/2019 Höhn et al.
 D864,688 S * 10/2019 Hochstrasser D8/61
 D874,897 S * 2/2020 Hochstrasser D8/61
 2002/0100146 A1 8/2002 Ko
 2002/0129717 A1 9/2002 Helland et al.
 2002/0134811 A1 9/2002 Napier et al.
 2003/0010223 A1 1/2003 Lopez
 2003/0024217 A1 2/2003 Schwede et al.
 2003/0025610 A1 2/2003 Helmrich
 2003/0145900 A1 8/2003 Jensen et al.
 2004/0206251 A1 10/2004 Nix
 2004/0237806 A1 12/2004 Sickels
 2004/0244605 A1 12/2004 Pearson et al.
 2004/0255562 A1 12/2004 Haberstroh et al.
 2004/0255797 A1 12/2004 Bobren et al.
 2005/0279198 A1 12/2005 Kushida et al.
 2006/0108180 A1 5/2006 Grach et al.
 2006/0192527 A1 8/2006 Kageler et al.
 2007/0163452 A1 7/2007 Bobren et al.
 2008/0072539 A1 3/2008 Morrison
 2009/0013656 A1 1/2009 Nasiatka et al.
 2009/0114308 A1 5/2009 Nelson et al.
 2010/0154661 A1 6/2010 Bobren et al.
 2011/0056389 A1 3/2011 Neeser et al.
 2011/0056390 A1 3/2011 Neeser et al.
 2011/0056391 A1 3/2011 Neeser et al.
 2011/0056392 A1 3/2011 Neeser et al.
 2011/0100233 A1 5/2011 Neeser et al.
 2011/0146505 A1 6/2011 Schwede
 2011/0253480 A1 10/2011 Goodman et al.
 2012/0017780 A1 1/2012 Haberstroh et al.
 2012/0160364 A1 6/2012 Katou et al.
 2012/0210682 A1 8/2012 Gardner et al.
 2012/0216688 A1 8/2012 Liu et al.
 2013/0014653 A1 1/2013 Lai
 2013/0014654 A1 1/2013 Lai
 2013/0098252 A1 4/2013 Haberstroh et al.
 2013/0276415 A1 10/2013 Haberstroh et al.
 2014/0083310 A1 3/2014 Hoehn et al.
 2014/0290179 A1 10/2014 Keller
 2015/0210411 A1 7/2015 Finzo et al.
 2016/0107775 A1 4/2016 Amacker et al.

FOREIGN PATENT DOCUMENTS

CN 1151129 A 6/1997
 CN 2266566 Y 11/1997
 CN 1203878 A 1/1999
 CN 1253099 A 5/2000
 CN 3260241 10/2002
 CN 1418163 A 5/2003
 CN 1558842 A 12/2004
 CN 1660675 A 8/2005

(56)

References Cited

FOREIGN PATENT DOCUMENTS

CN	3534469	6/2006
CN	1859999 A	11/2006
CN	101134308 A	3/2008
CN	101164416 A	4/2008
CN	101287578 A	10/2008
CN	101486329 A	7/2009
CN	301044699	10/2009
CN	201411061 Y	2/2010
CN	101678903 A	3/2010
CN	301199818 S	5/2010
CN	101870367 A	10/2010
CN	301492534 S	3/2011
CN	102026873 A	4/2011
CN	102026874 A	4/2011
CN	102026875 A	4/2011
CN	202100012 U	1/2012
CN	302836585 S	6/2014
CN	303949899 S	11/2016
CN	303979302 S	12/2016
DE	3916355 A1	12/1989
DE	4014305 A1	11/1991
DE	19751861 A1	1/1999
DE	10026200 A1	11/2001
DE	20321137 U1	1/2006
DE	102005049130 A1	4/2007
DE	102006007990 A1	8/2007
DE	102009047443 A1	6/2011
DE	202011050797 U1	11/2011
EP	0095643 A2	12/1983
EP	0480627 A1	4/1992
EP	0603868 A1	6/1994
EP	0659525 A2	6/1995
EP	0744343 A1	11/1996
EP	0949146 A1	10/1999
EP	0997377 A1	5/2000
EP	0999133 A1	5/2000
EP	1177978 A1	2/2002
EP	1316506 A1	6/2003
EP	1413519 A1	4/2004
EP	1837279 A1	9/2007
EP	2271553 B1	4/2013
GB	1161827 A	8/1969
GB	2041869 A	9/1980
GB	2481724 A	1/2012
JP	S5290398 U	7/1977
JP	S541238 B1	1/1979
JP	S5638220 A	4/1981
JP	S6322320 A	1/1988
JP	H05198241 A	8/1993
JP	H07300108 A	11/1995
JP	H08258808 A	10/1996
JP	H08324506 A	12/1996
JP	H09283103 A	10/1997
JP	3044132 B2	5/2000
JP	2000128113 A	5/2000
JP	2000128115 A	5/2000
JP	3227693 B2	9/2001
JP	3242081 B2	10/2001
JP	2002235830 A	8/2002

JP	2003170906 A	6/2003
JP	2003231291 A	8/2003
JP	2003348899 A	12/2003
JP	3548622 B2	4/2004
JP	2004108593 A	4/2004
JP	2004241150 A	8/2004
JP	2004323111 A	11/2004
JP	2007276042 A	10/2007
JP	4406016 B2	11/2009
KR	840002211 B1	12/1984
KR	20000029337 A	5/2000
RU	1772784 C	10/1992
RU	2118277 C1	8/1998
RU	2161773 C2	1/2001
RU	2004115639 A	1/2006
RU	2355821 C1	5/2009
SU	1134117 A3	1/1985
WO	0189929 A1	11/2001
WO	2006048738 A1	5/2006
WO	2007116914 A1	10/2007
WO	2009129633 A1	10/2009
WO	2009129636 A1	10/2009

OTHER PUBLICATIONS

“Orgapack ORT-250 Automatic Sealless Combo Strapping Tool”, located online at www.uline.com/Product/Detail/H-2385/Poly-Strapping_Tools/Orgapack-ORT-250-Automatic-Sealless-Combo-Strapping-Tool.com, available prior to Jan. 30, 2017 (1 page).
 Bender, “Lithium Ion Technology: Shaping Power Tool”, Air Conditioning, Heating, and Refrigeration News, vol. 228, Issue 14, p. 18 (3 pages), Jul. 31, 2006.
 Emandi, Ali, “Brushless DC Motor Drives”, Energy-Efficient Electrical Motors, 3rd ed., Para. 270-272, CRC Press & Marcel Dekker (3 pages).
 Orgapack GmbH, “OR-T 100, Battery-Hand Tool for Plastic Strapping”, Operating and Safety Instructions (53 pages), Nov. 1, 2004.
 Orgapack GmbH, “OR-T 120, Battery-Operated Hand Tool for Plastic Strapping”, Operating Instructions (36 pages), Sep. 1, 2012.
 Orgapack GmbH, “OR-T 200, Battery-Hand Tool for Plastic Strapping”, Operating and Safety Instructions (53 pages), Feb. 1, 2004.
 Orgapack GmbH, “OR-T 250, Battery-Hand Tool for Plastic Strapping”, Operating Instructions (36 pages), Sep. 1, 2009.
 Orgapack GmbH, “OR-T 300, Battery-Hand Tool for Plastic Strapping”, Operating and Safety Instructions (53 pages), Mar. 1, 2005.
 Orgapack GmbH, “OR-T 400, Battery-Hand Tool for Plastic Strapping”, Operating Instructions (19 pages), Sep. 1, 2009.
 Orgapack GmbH, “OR-T 50, Hand Tool for Plastic Strapping”, Operating and Safety Instructions (53 pages), May 1, 2006.
 Orgapack GmbH, “OR-T 83, Hand Tool for Plastic Strapping”, Operating Instructions (58 pages), Aug. 1, 2000.
 Orgapack GmbH, “OR-T 85, Hand Tool for Plastic Strapping”, Operating Instructions (58 pages), Jun. 1, 2000.
 Orgapack GmbH, “OR-T 86, Hand Tool for Plastic Strapping”, Operating Instructions (58 pages), Aug. 1, 1999.
 Orgapack GmbH, “OR-T 87, Hand Tool for Plastic Strapping”, Operating and Safety Instructions (63 pages), May 1, 2002.

* cited by examiner

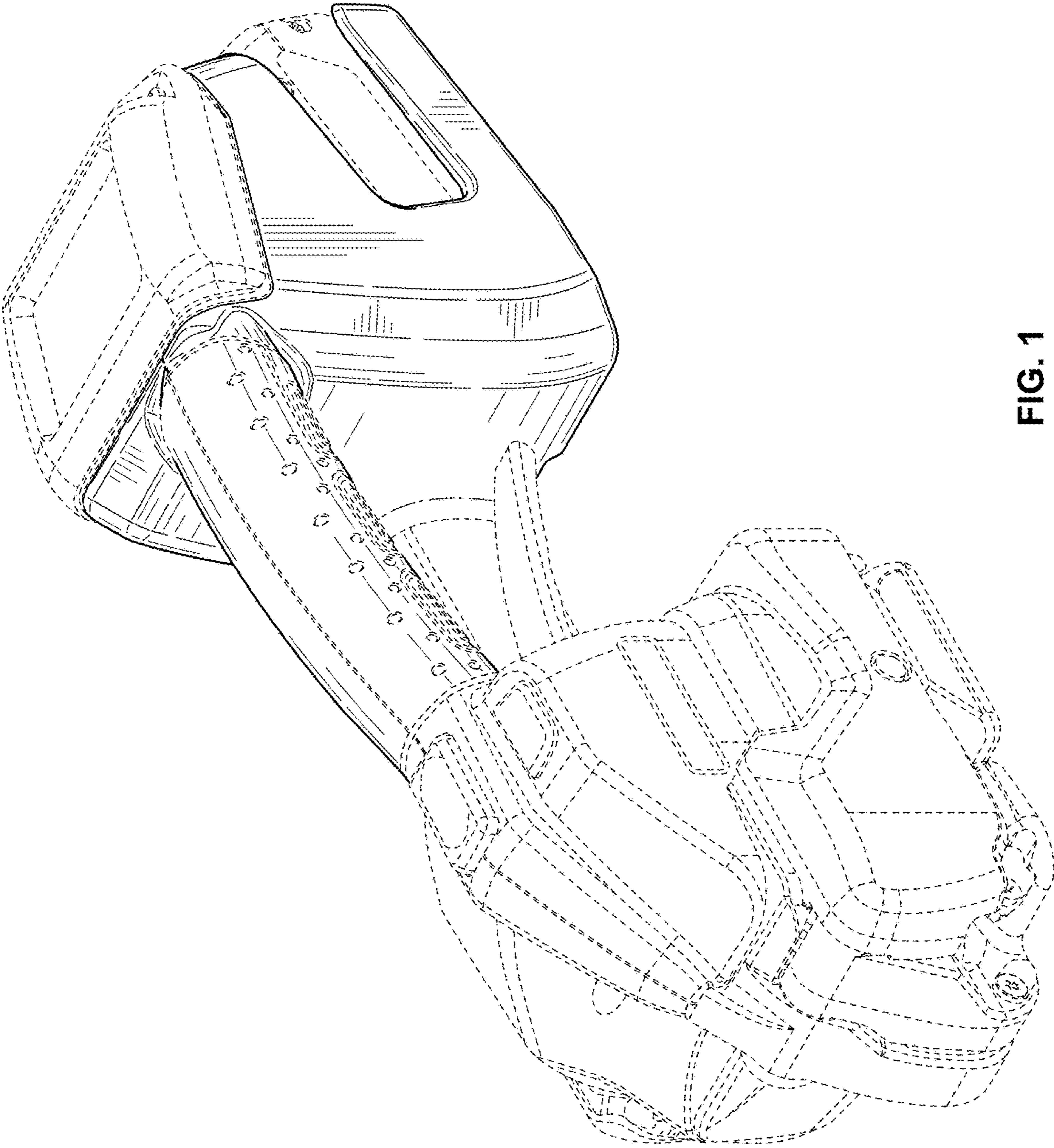


FIG. 1

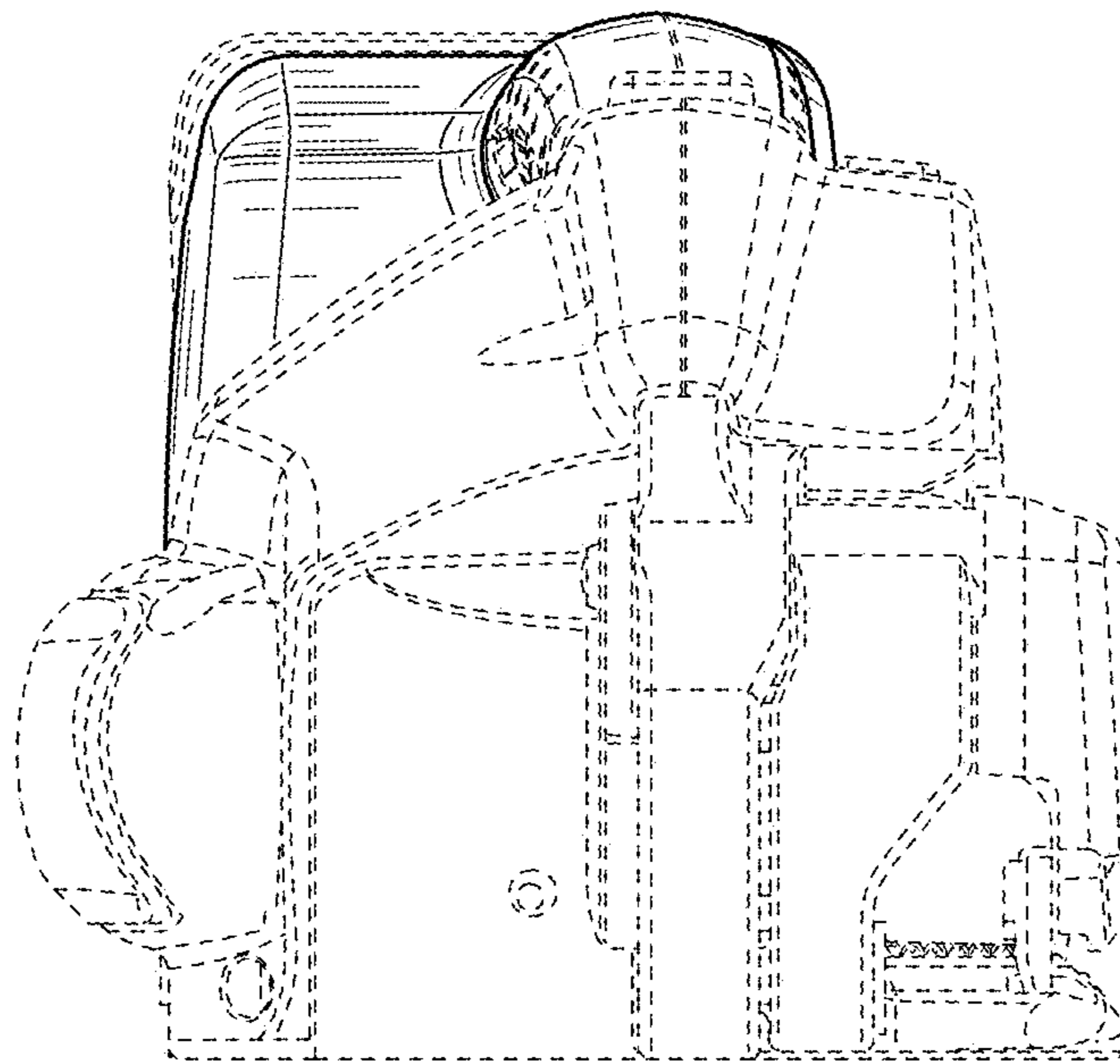


FIG. 2

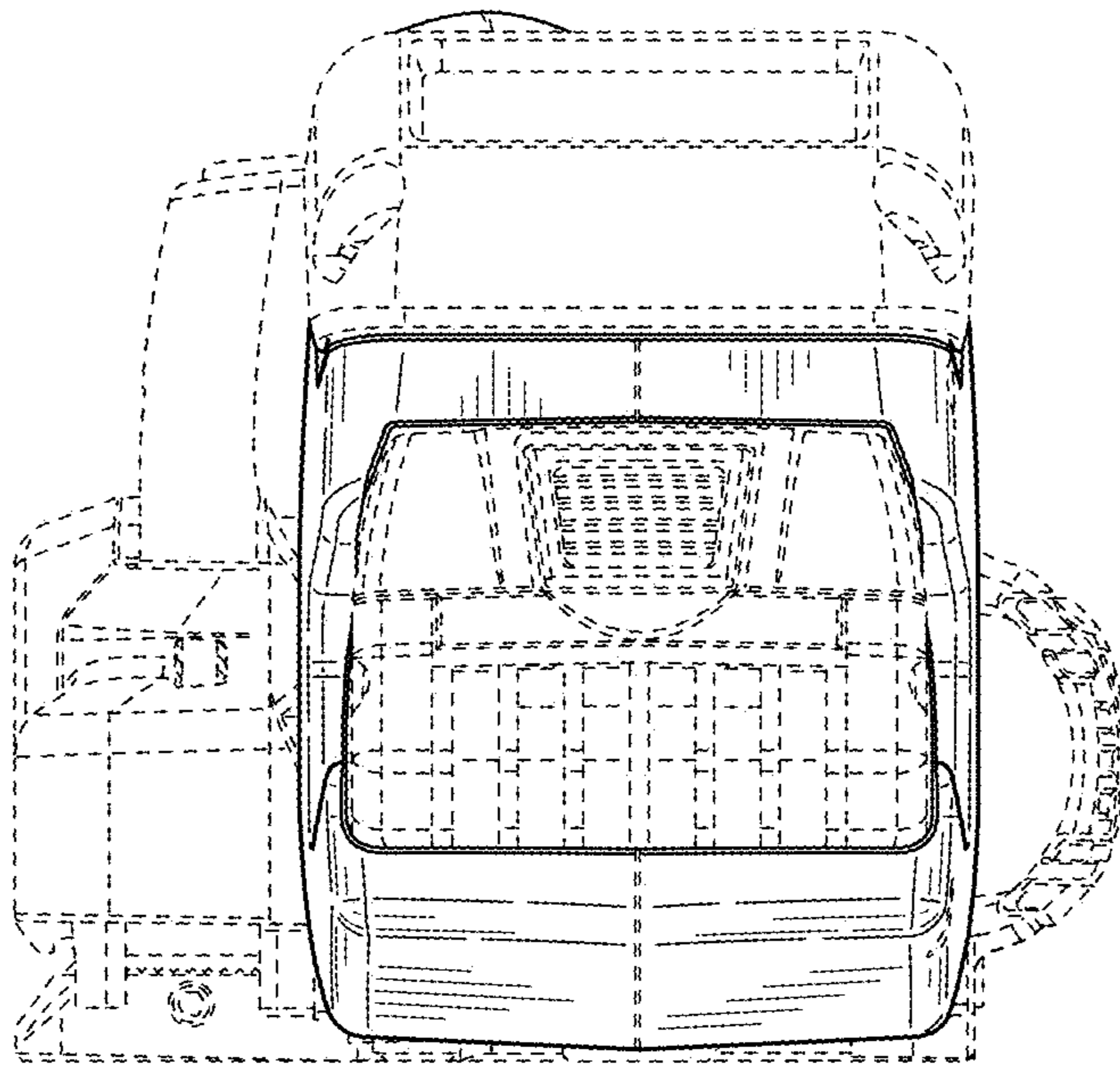


FIG. 3

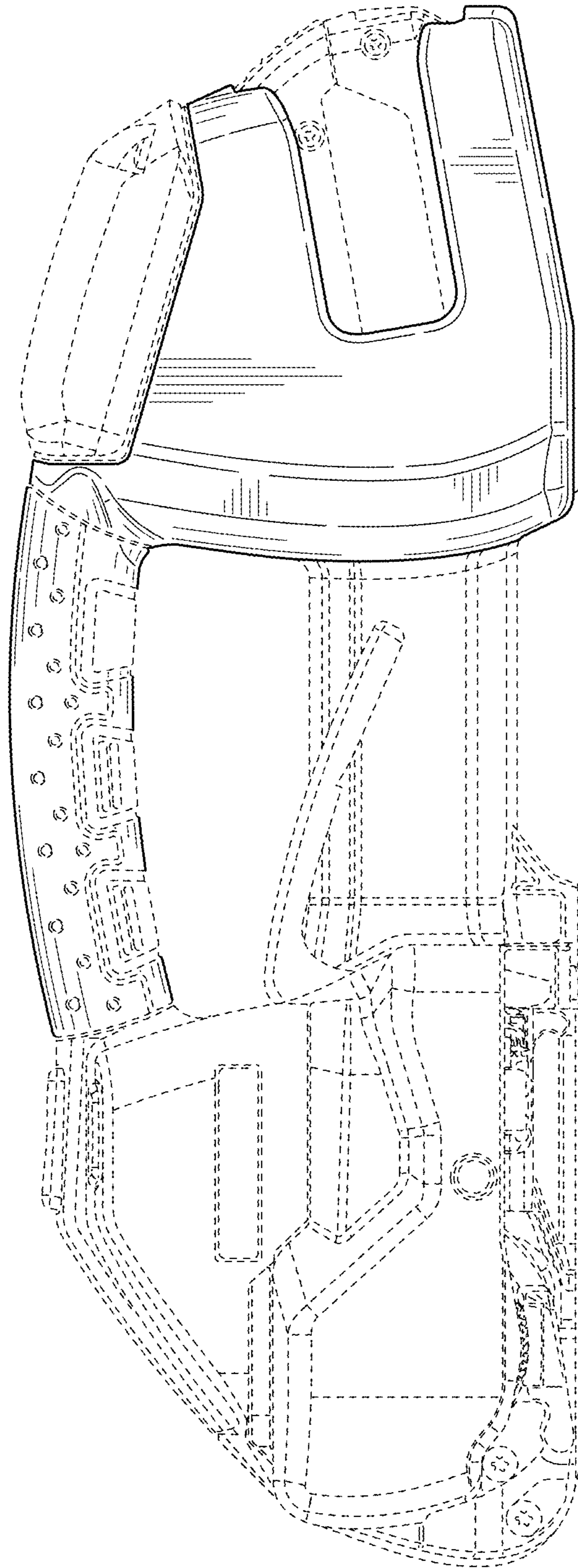


FIG. 4

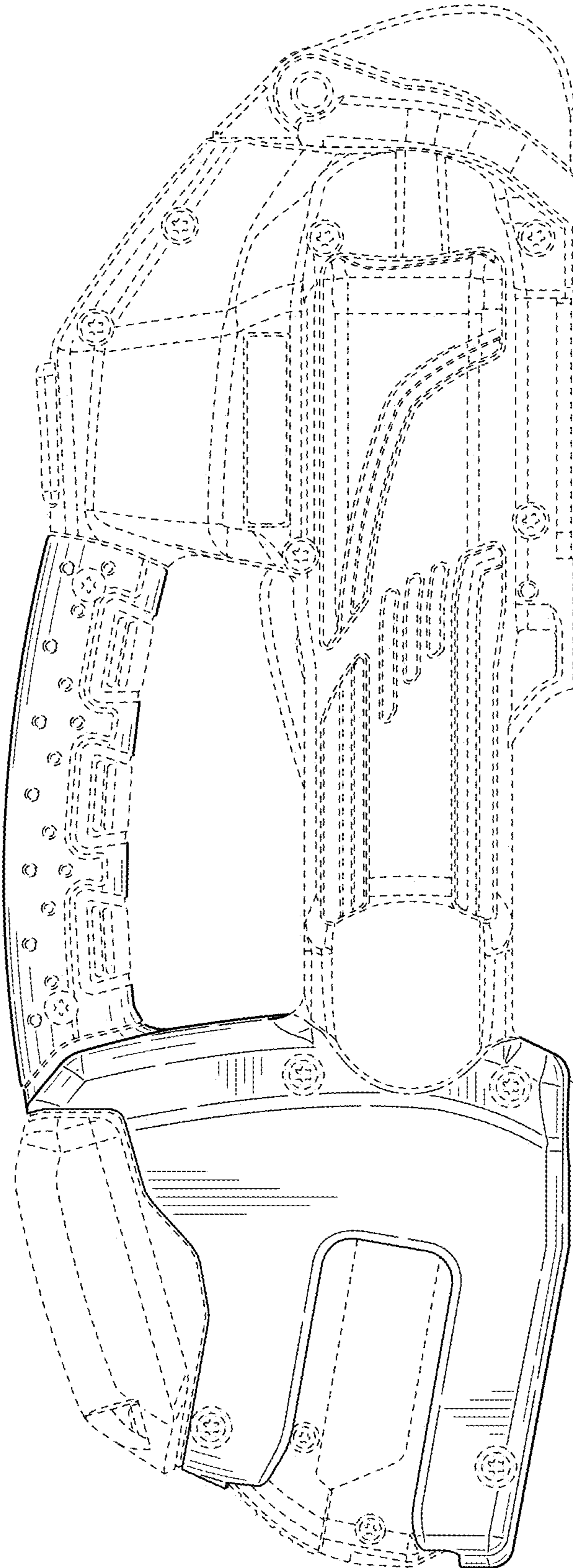


FIG. 5

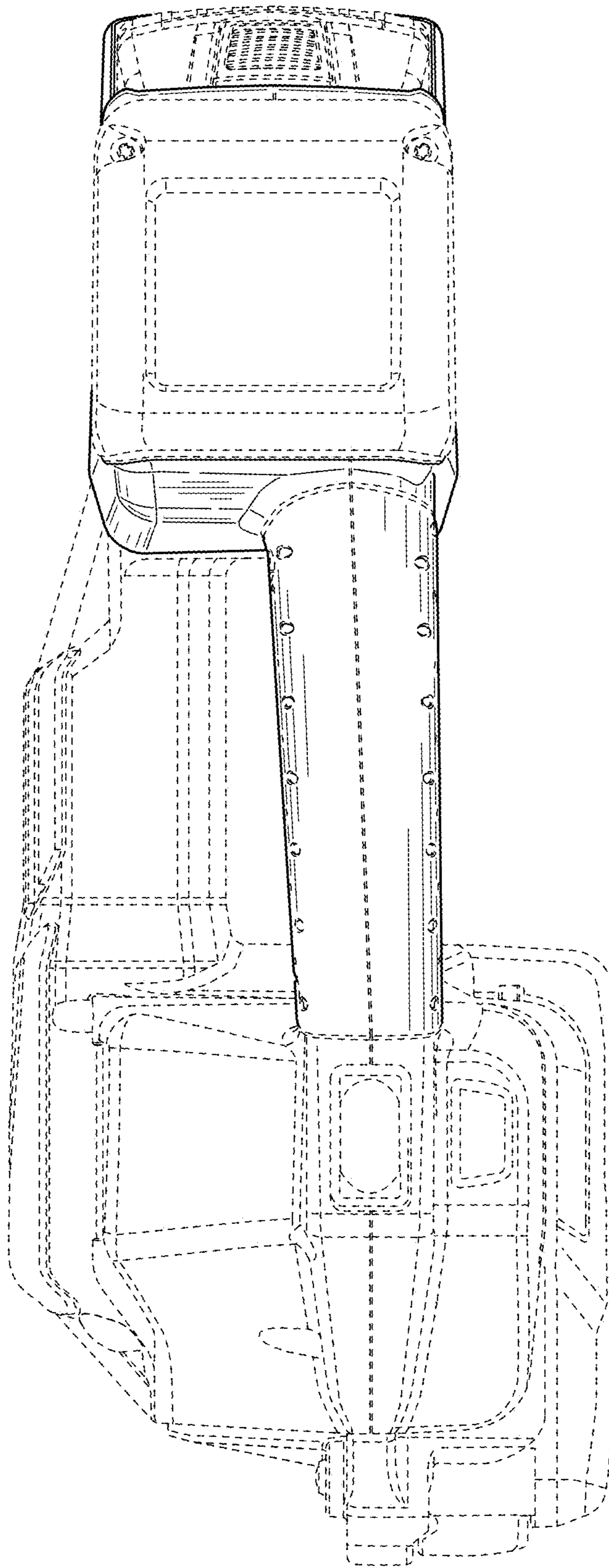


FIG. 6

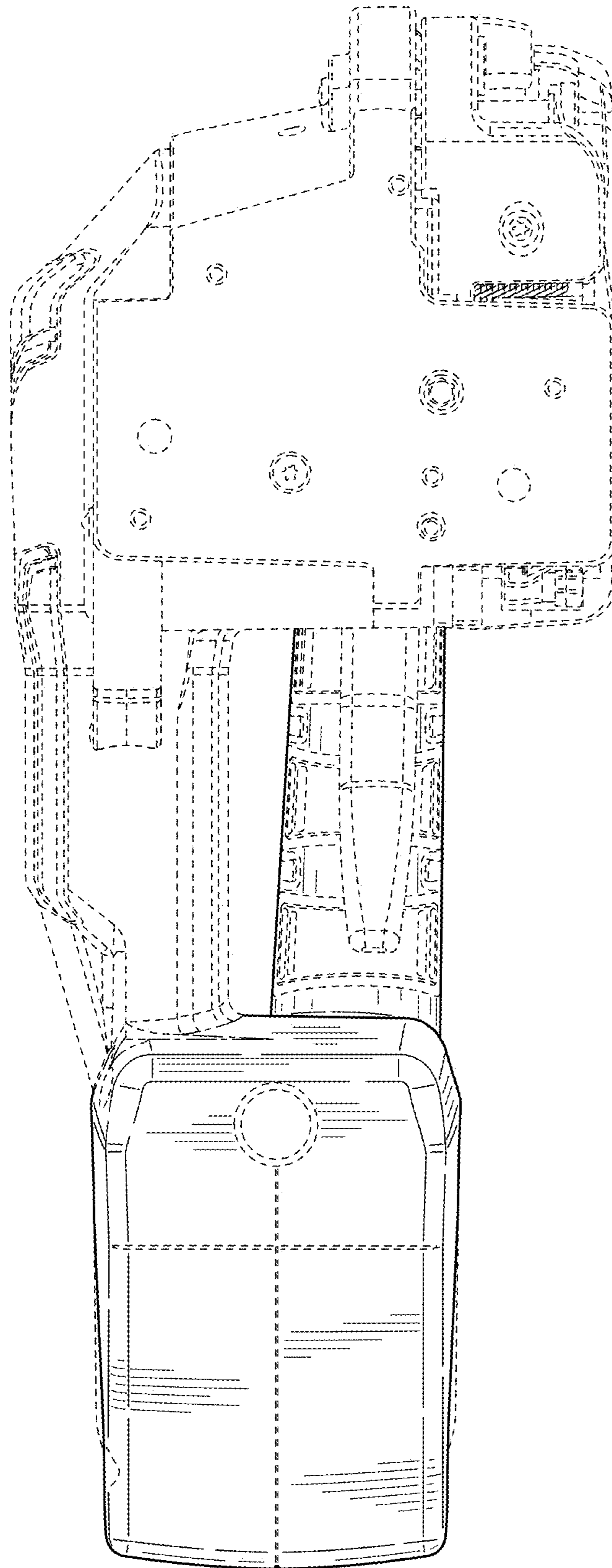


FIG. 7

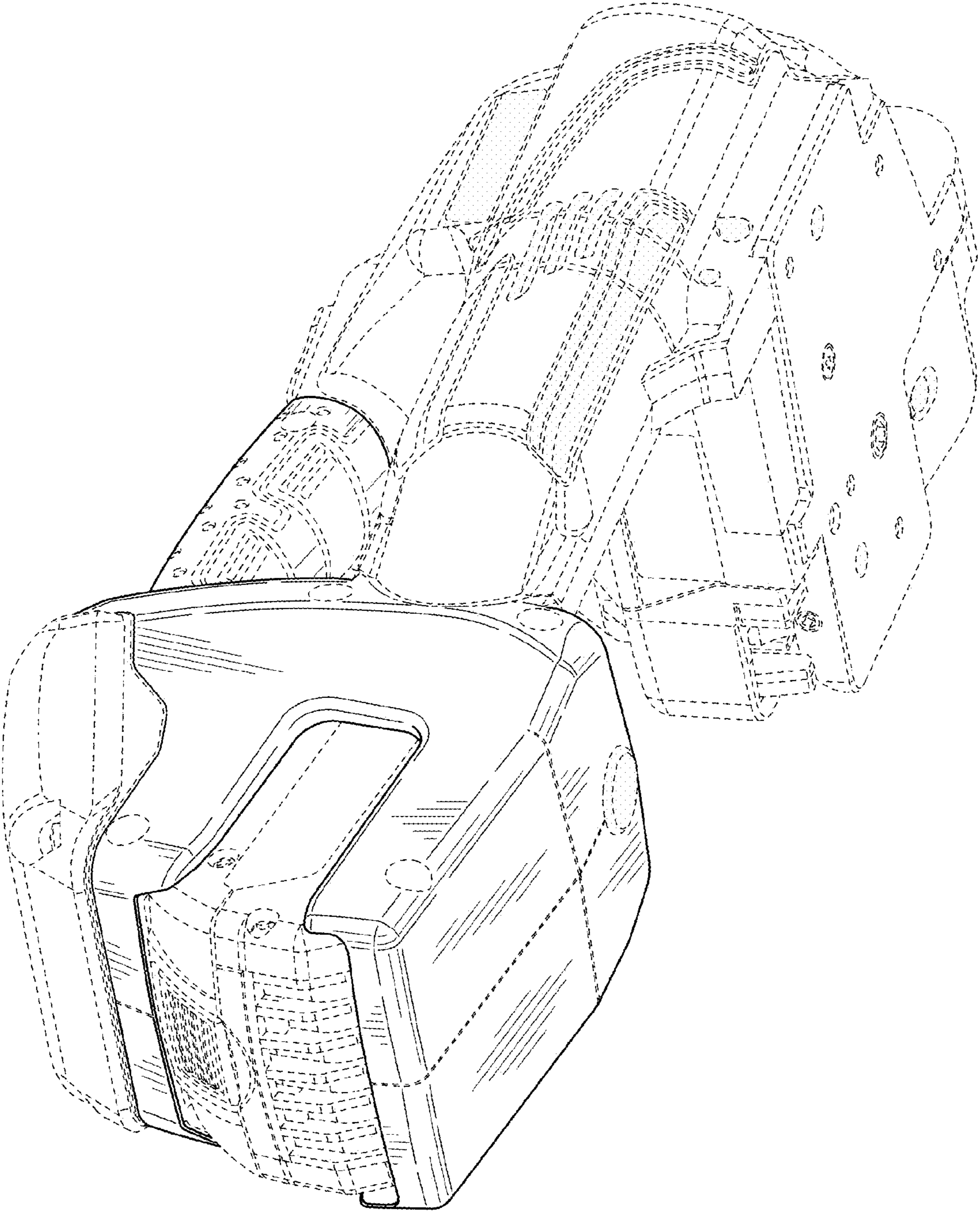


FIG. 8