



US00D889227S

(12) **United States Design Patent**
Chen

(10) **Patent No.:** **US D889,227 S**

(45) **Date of Patent:** **** Jul. 7, 2020**

(54) **GRINDERS**

(71) Applicant: **Shenzhen Aukeyhi Technology Co., Ltd.**, Shenzhen (CN)

(72) Inventor: **Peihong Chen**, Shenzhen (CN)

(**) Term: **15 Years**

(21) Appl. No.: **29/672,774**

(22) Filed: **Dec. 9, 2018**

(51) **LOC (12) Cl.** **08-01**

(52) **U.S. Cl.**
USPC **D8/61**

(58) **Field of Classification Search**
USPC D8/61, 62, 67, 69; 81/57, 57.11, 57.14,
81/57.26, 429, 464, 469; 173/2, 170,
173/176, 181
CPC B25B 21/02; B25B 21/008; B25B 23/16;
B25B 23/1405; A61B 17/1615
See application file for complete search history.

(56) **References Cited**

U.S. PATENT DOCUMENTS

D551,044 S	*	9/2007	Mochida	D8/61
D556,000 S	*	11/2007	Singh	D8/61
D565,916 S	*	4/2008	Chen	D8/61
D580,722 S	*	11/2008	Chi	D8/61
D618,079 S	*	6/2010	Blythe	D8/61

D634,998 S	*	3/2011	Garfield	D8/61
D663,180 S	*	7/2012	Jerome	D8/61
D677,540 S	*	3/2013	Meyers	D8/61
D755,032 S	*	5/2016	Martinez	D8/61
D768,452 S	*	10/2016	Padget	D8/61
D861,450 S	*	10/2019	Mancini	D8/61
D863,910 S	*	10/2019	Wu	D8/61
D865,469 S	*	11/2019	Houghton	D8/61
D865,470 S	*	11/2019	Houghton	D8/61
D873,104 S	*	1/2020	Chen	D8/61

* cited by examiner

Primary Examiner — Austin Murphy

(74) *Attorney, Agent, or Firm* — ZANIP

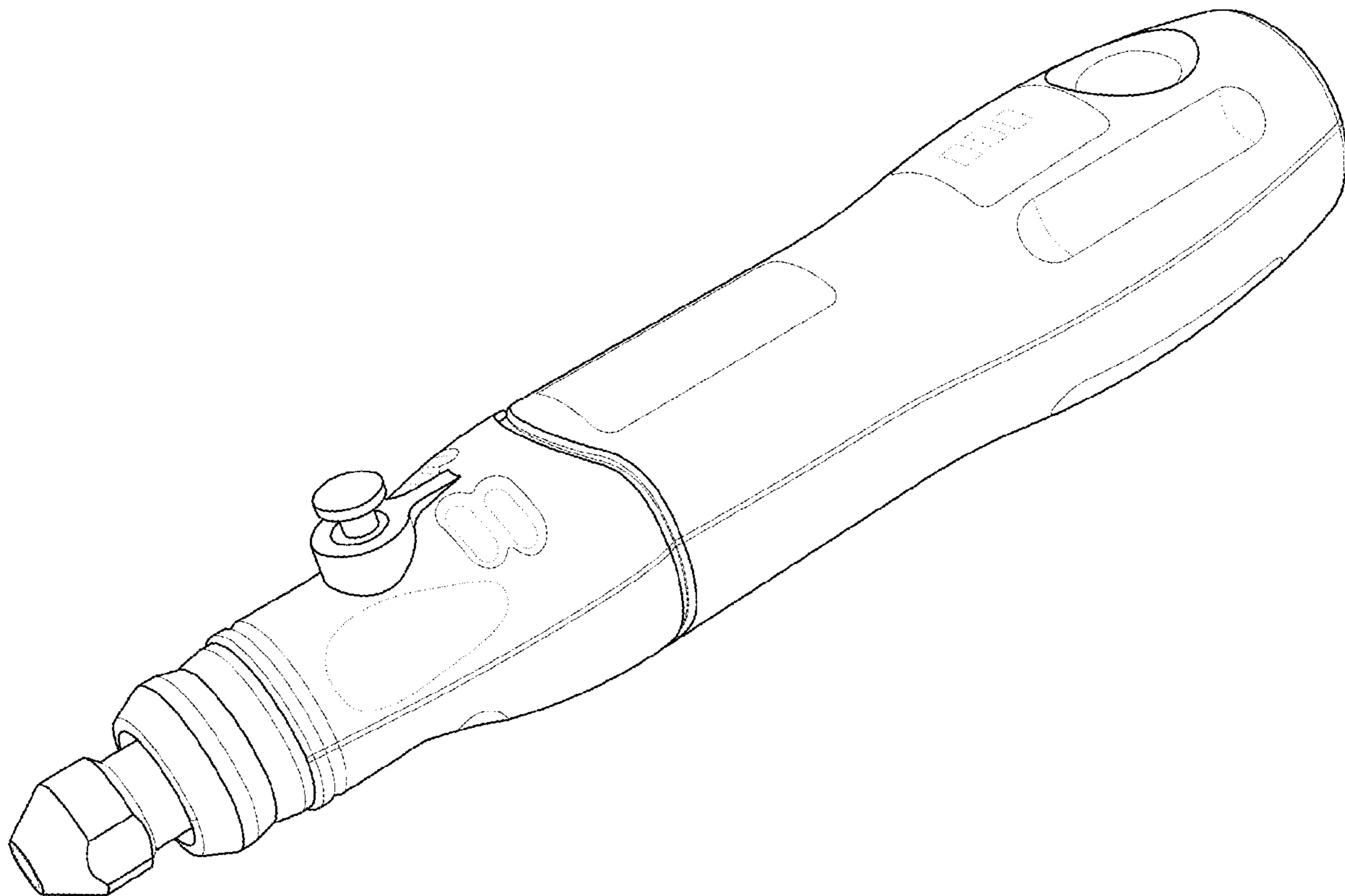
(57) **CLAIM**

The ornamental design for a grinders, as shown and described.

DESCRIPTION

FIG. 1 is a front elevational view of the grinders showing my new design;
FIG. 2 is a rear elevational view thereof;
FIG. 3 is a left side elevational view thereof;
FIG. 4 is a right side elevational view thereof;
FIG. 5 is a top plan view thereof;
FIG. 6 is a bottom plan view thereof; and,
FIG. 7 is a front, left side perspective view thereof.
The broken lines illustrate portions of the grinders that form no part of the claimed design.

1 Claim, 7 Drawing Sheets



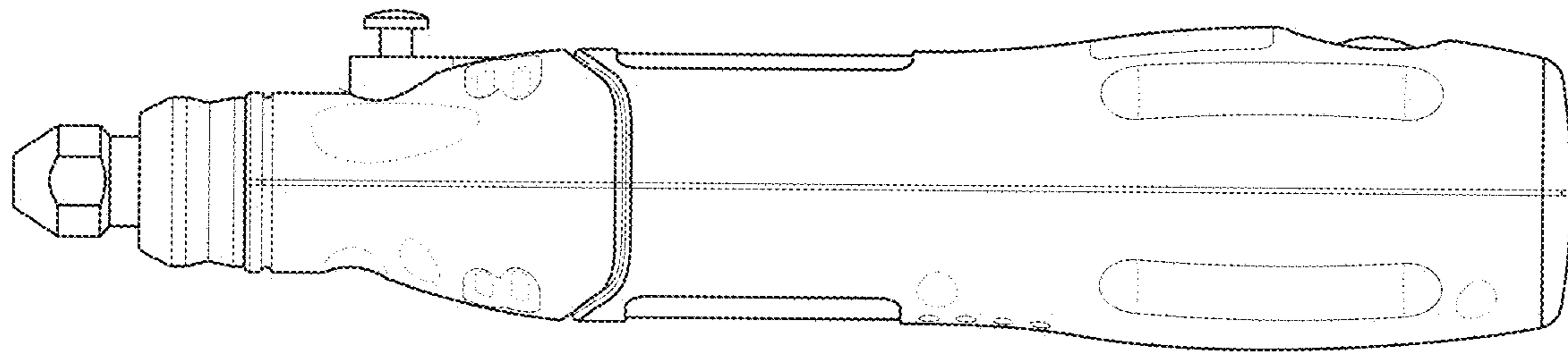


FIG. 1

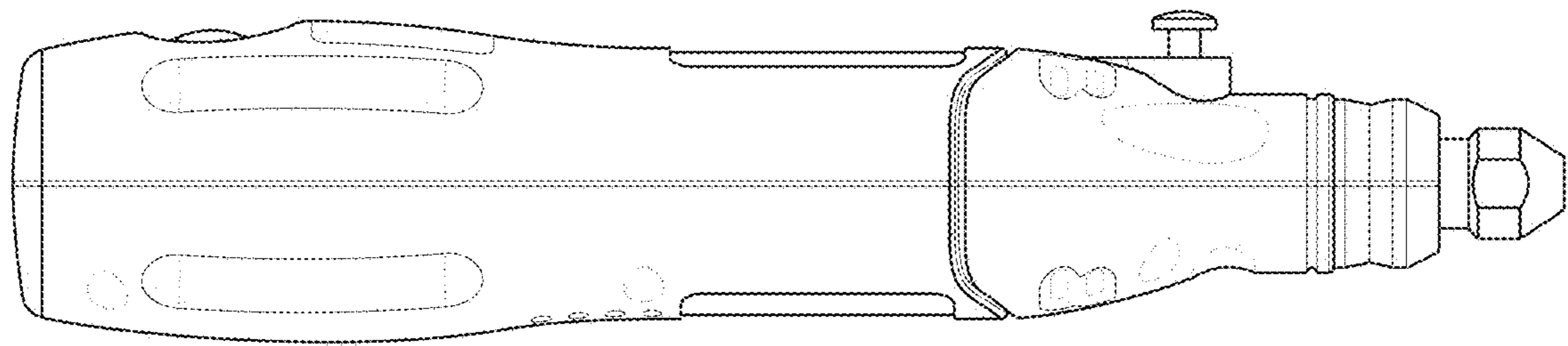


FIG. 2

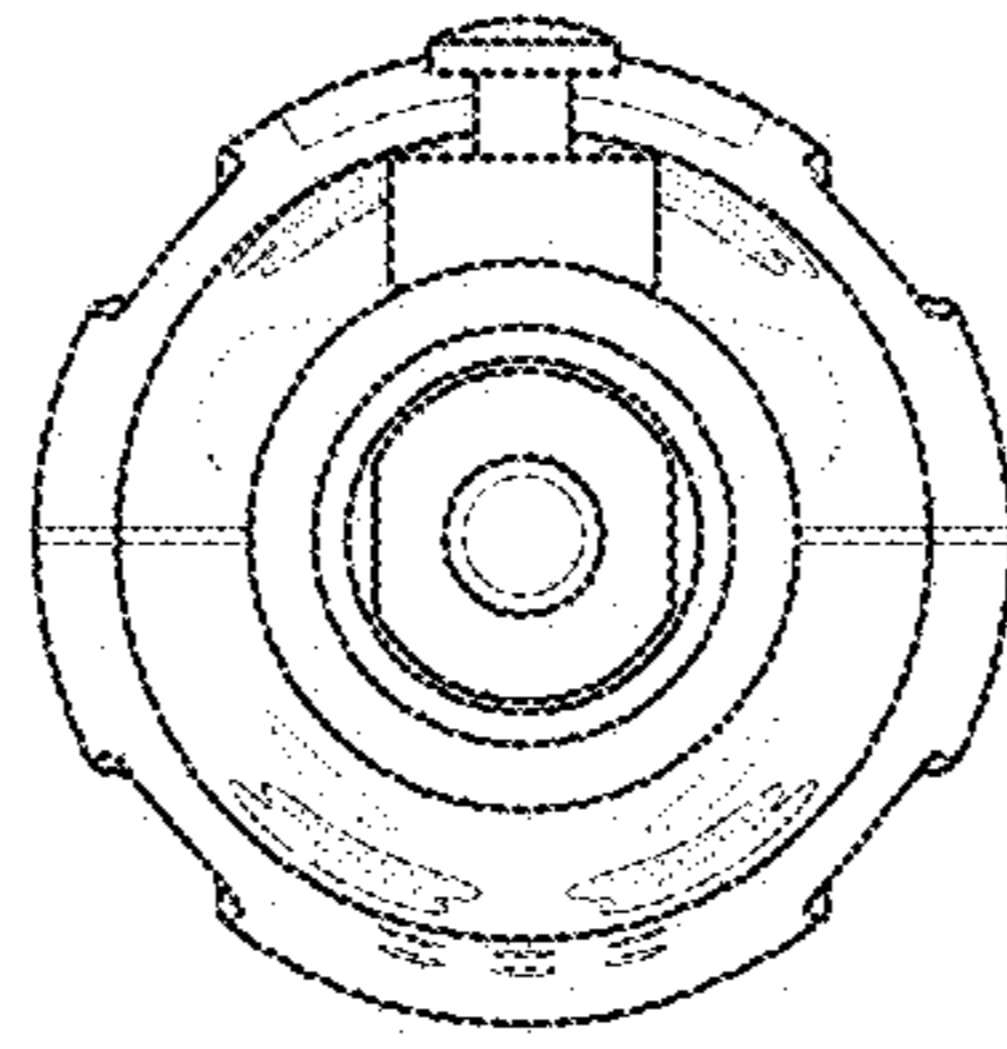


FIG. 3

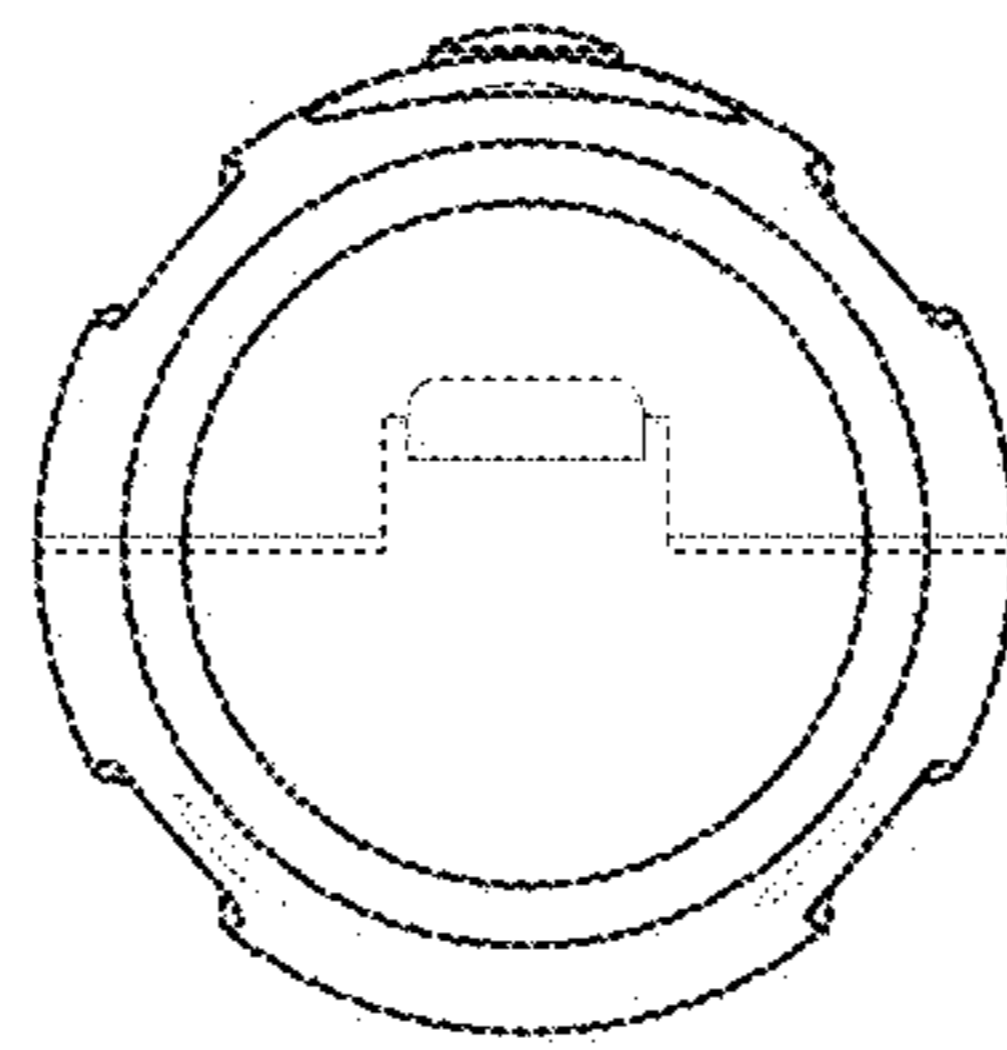


FIG. 4

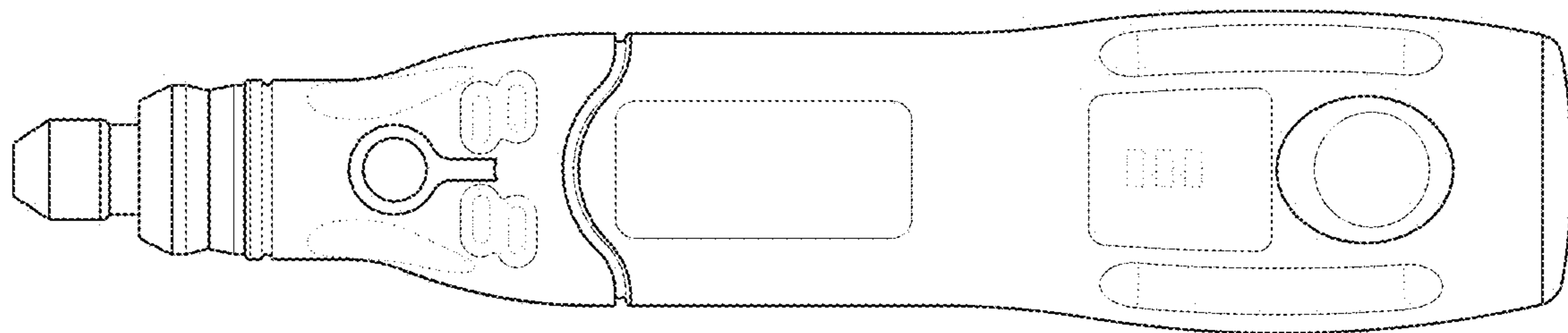


FIG. 5

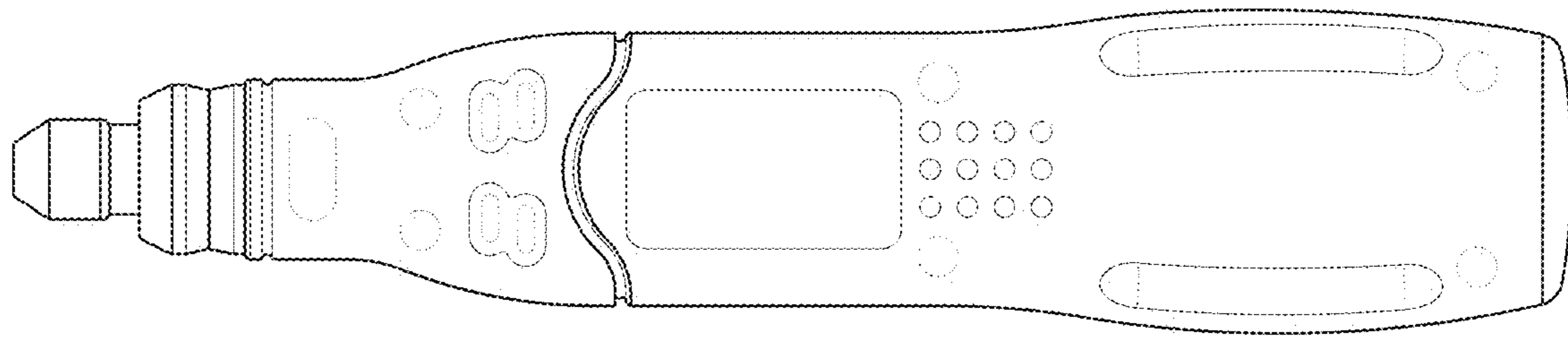


FIG. 6

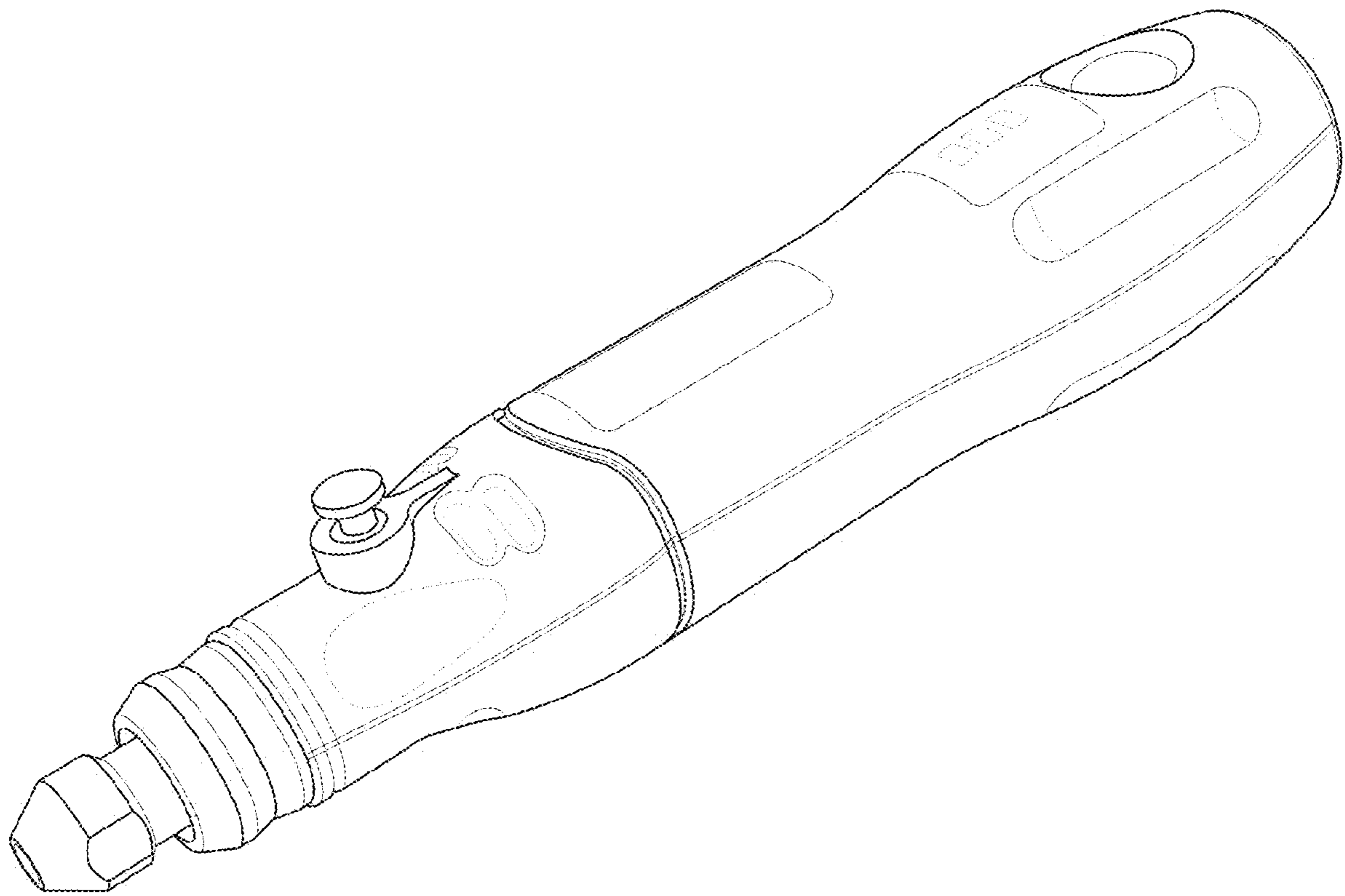


FIG. 7