



US00D889226S

(12) **United States Design Patent**
Wu

(10) **Patent No.:** **US D889,226 S**
(45) **Date of Patent:** **** Jul. 7, 2020**

(54) **SCISSORS**
(71) Applicant: **Yangchun Xinyi Scissors Factory Co., Ltd.**, Yangchun, Guangdong (CN)
(72) Inventor: **Zongdui Wu**, Yangchun (CN)
(73) Assignee: **YANGCHUN XINYI SCISSORS FACTORY CO., LTD.**, Yangchun, Guangdong (CN)

(**) Term: **15 Years**

(21) Appl. No.: **29/657,472**

(22) Filed: **Jul. 23, 2018**

(51) **LOC (12) Cl.** **08-03**

(52) **U.S. Cl.**
USPC **D8/57**

(58) **Field of Classification Search**
USPC D8/4, 5, 52, 54, 57, 51, 14; 30/131, 30/296.1, 134, 251, 252, 253, 261, 262
See application file for complete search history.

(56) **References Cited**

U.S. PATENT DOCUMENTS

D419,047 S * 1/2000 Jacquet D8/57
D421,375 S * 3/2000 Carlson D8/57
D502,853 S * 3/2005 Peterson D8/57
D536,588 S * 2/2007 Peterson D8/57
D536,589 S * 2/2007 Peterson D8/57

D631,313 S * 1/2011 Peterson D8/57
D721,935 S * 2/2015 Farnworth D8/57
D753,972 S * 4/2016 deBretton Gordon D8/57
D763,648 S * 8/2016 Albano D8/57
D786,038 S * 5/2017 Roberts D8/57
D863,010 S * 10/2019 Racamier D8/57
2006/0123634 A1 * 6/2006 Peterson B26B 13/20
30/232
2014/0182141 A1 * 7/2014 Farnworth B26B 13/28
30/254
2014/0251099 A1 * 9/2014 Covarrubias-Garcia B26B 13/12
83/13

* cited by examiner

Primary Examiner — Cynthia R Underwood

(74) *Attorney, Agent, or Firm* — Muncy, Geissler, Olds & Lowe, P.C.

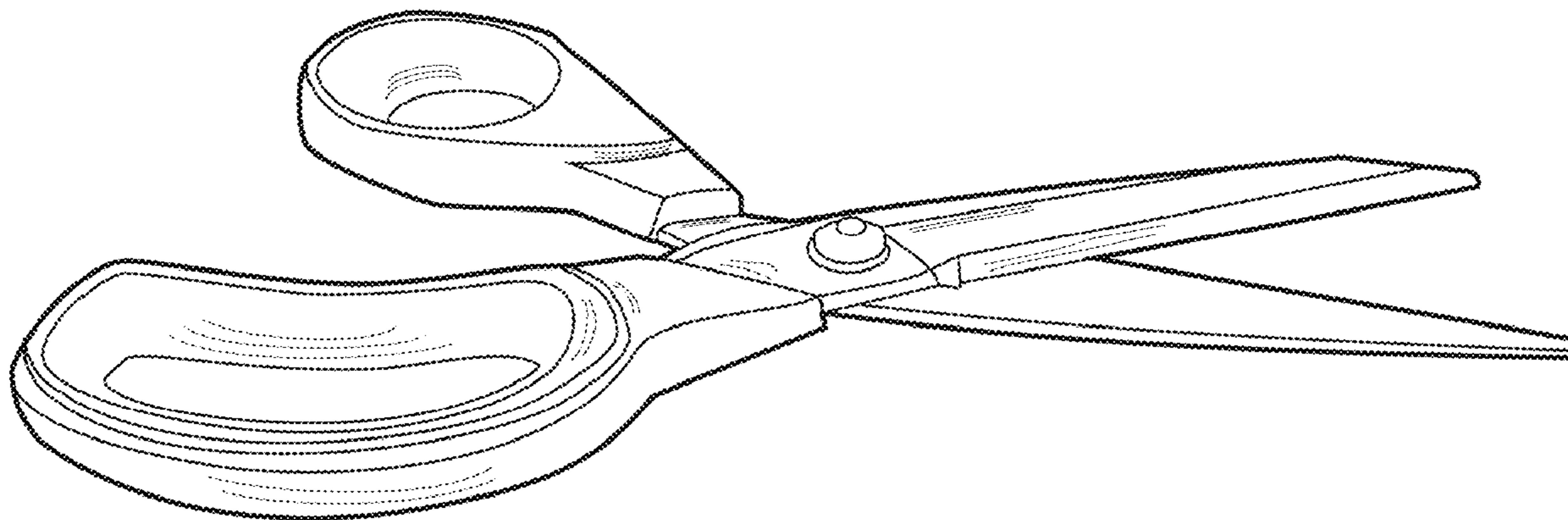
(57) **CLAIM**

The ornamental design for scissors, as shown and described.

DESCRIPTION

FIG. 1 is a Front elevational view of a scissors showing my new design;
FIG. 2 is a Rear elevational view thereof;
FIG. 3 is a Left side view thereof;
FIG. 4 is a Right side view thereof;
FIG. 5 is a Bottom plan view thereof;
FIG. 6 is a Top plan view thereof; and,
FIG. 7 is a Perspective view thereof.

1 Claim, 7 Drawing Sheets



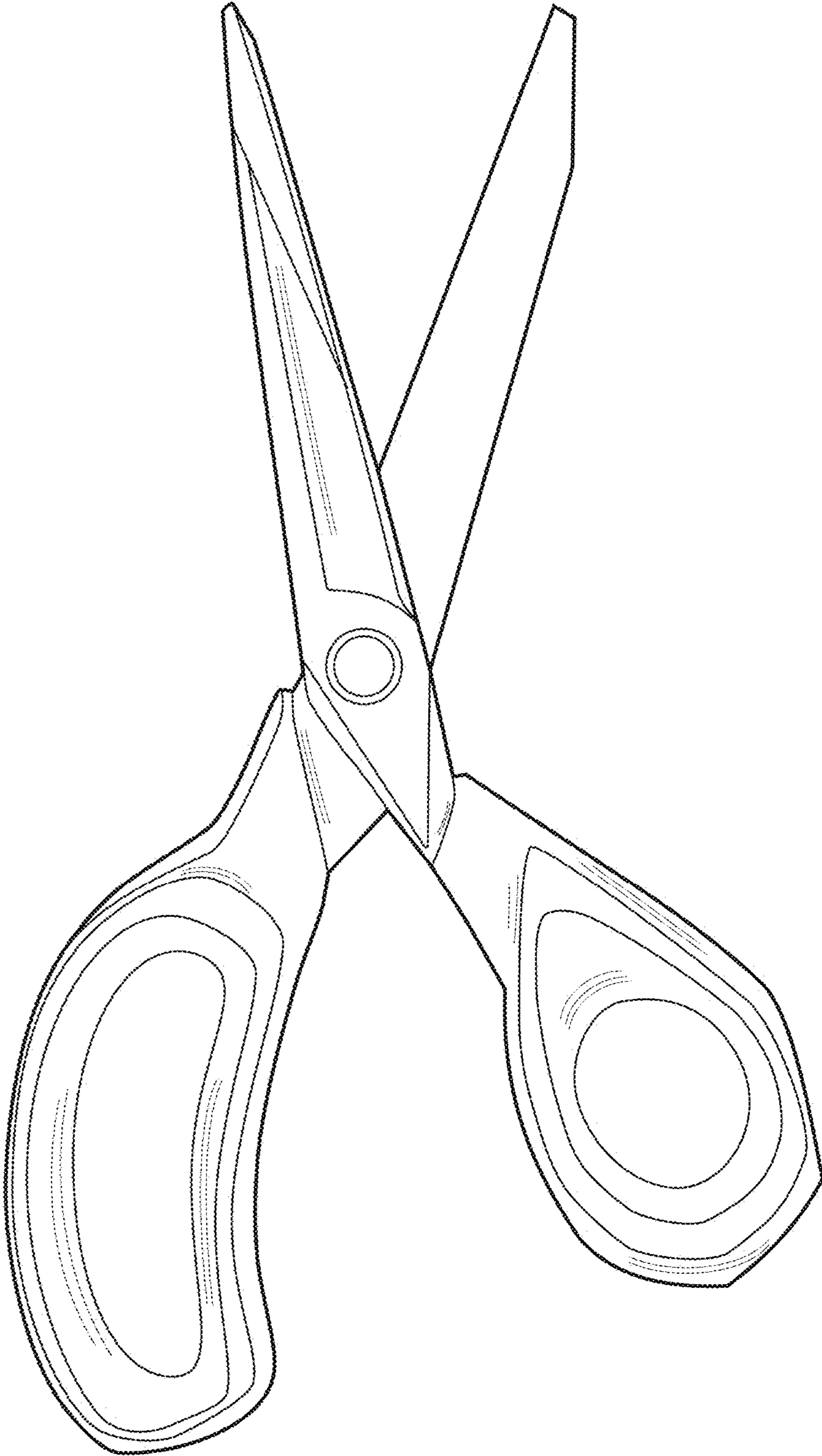


Fig. 1

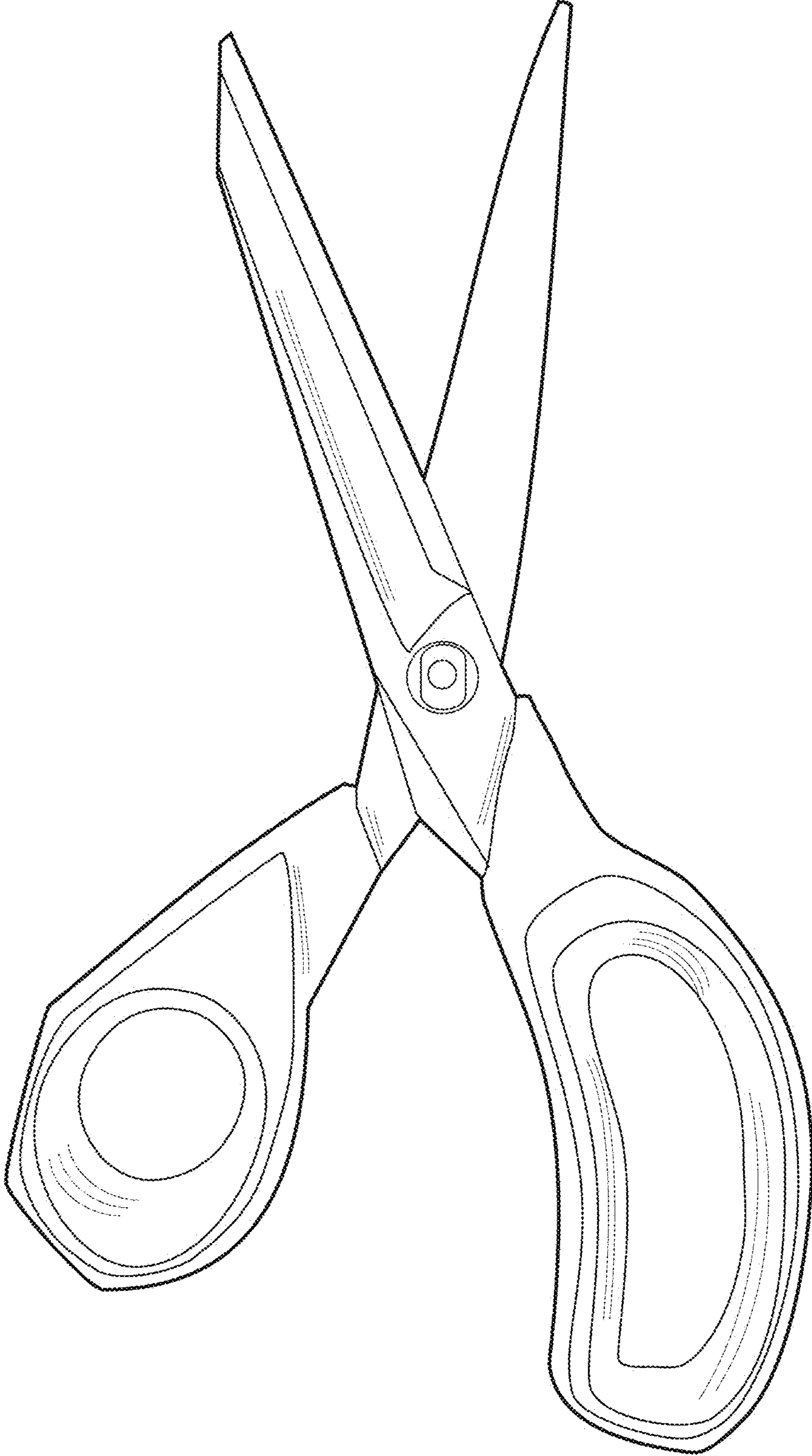


Fig. 2

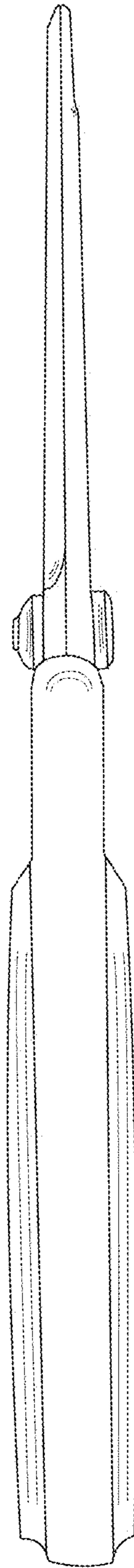


Fig. 3

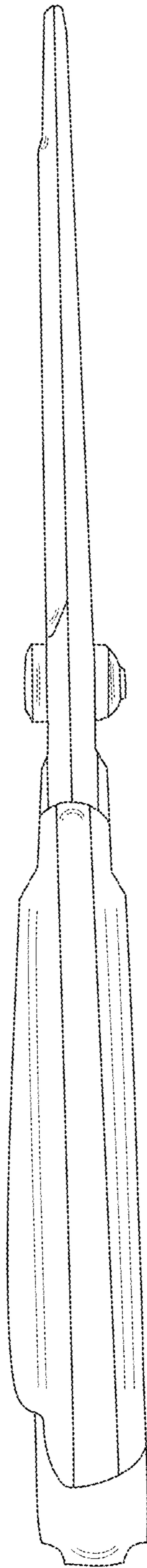


Fig. 4

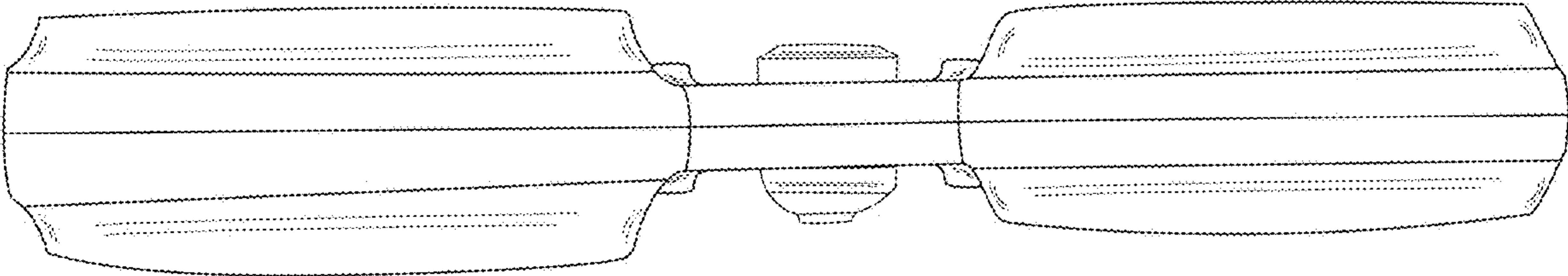


Fig. 5

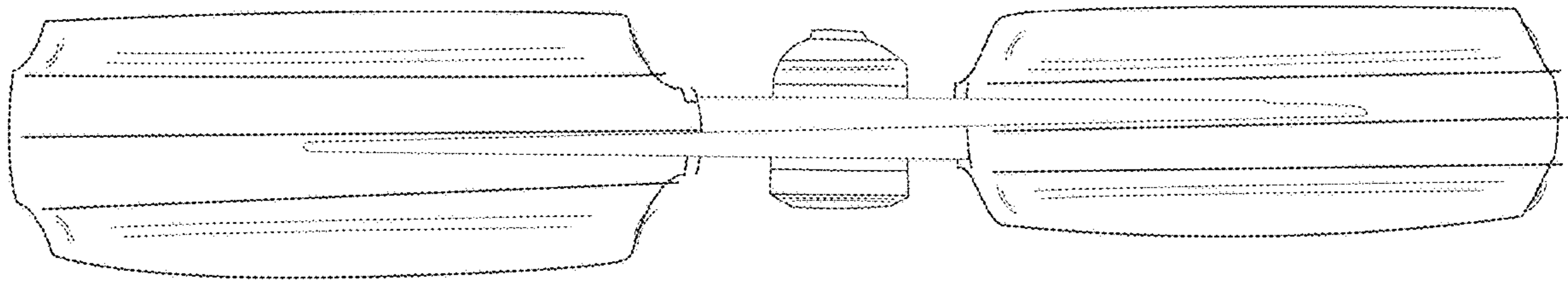


Fig. 6

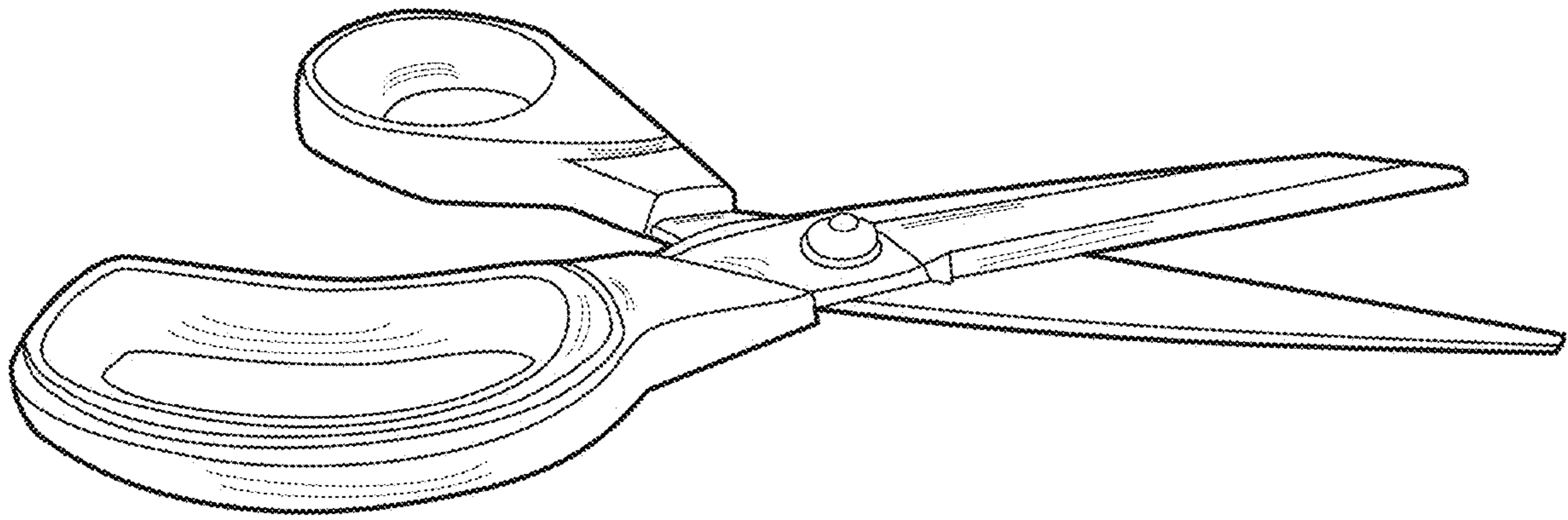


Fig. 7