



US00D889225S

(12) **United States Design Patent**
Brown et al.

(10) **Patent No.:** **US D889,225 S**
(45) **Date of Patent:** **** Jul. 7, 2020**

(54) **STRAP WRAPPING TOOL**

(71) Applicants: **Joshua A. Brown**, Farmersville, TX (US); **Kenneth Tallent**, Melissa, TX (US)

(72) Inventors: **Joshua A. Brown**, Farmersville, TX (US); **Kenneth Tallent**, Melissa, TX (US)

(**) Term: **15 Years**

(21) Appl. No.: **29/647,259**

(22) Filed: **May 11, 2018**

(51) **LOC (12) Cl.** **08-05**

(52) **U.S. Cl.**
USPC **D8/44**

(58) **Field of Classification Search**
USPC D8/14, 44, 356, 358, 359
CPC B60P 7/0846; B65H 75/00; B65H 75/02;
B65H 54/585; B65H 54/02
See application file for complete search history.

(56) **References Cited**

U.S. PATENT DOCUMENTS

3,954,226	A *	5/1976	Pickering	B60P 7/0846
					242/395
3,985,359	A *	10/1976	Moore	A63C 19/08
					473/473
D315,288	S *	3/1991	Alonso	D8/358
D396,629	S *	8/1998	Huggins	D8/359
5,975,454	A *	11/1999	Potter	B65H 54/585
					242/395
D435,763	S *	1/2001	Potter	D8/14
D452,953	S *	1/2002	Okkema	B60P 7/0846
					D8/359
D670,155	S *	11/2012	Krohmer	D8/356
D710,671	S *	8/2014	Gonzalez	D8/105
2018/0194589	A1 *	7/2018	Hitsman	B65H 54/585

OTHER PUBLICATIONS

Author Unknown, Binder Winder Part #DCBW, Retrieved from the Internet <https://www.dccargomall.com>, retrieved online on Apr. 11, 2018.

Author Unknown, Winch Strap Part #PSTW, Retrieved from the Internet <https://www.dccargomall.com>, retrieved online on Apr. 11, 2018.

* cited by examiner

Primary Examiner — Philip S Hyder

(74) *Attorney, Agent, or Firm* — Schneider IP Law LLC; Laura A. Schneider

(57) **CLAIM**

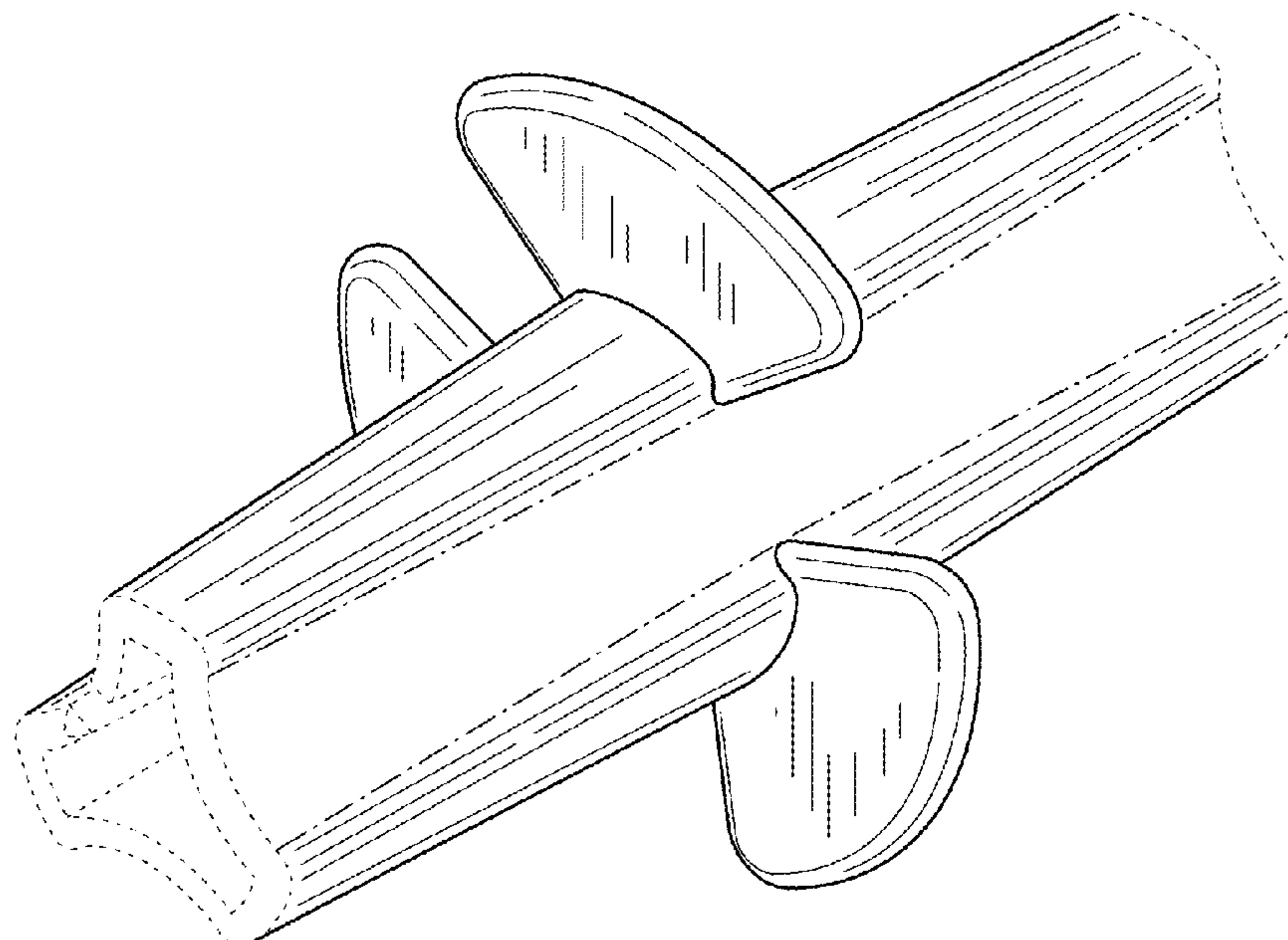
The ornamental design for a strap wrapping tool, as shown and described.

DESCRIPTION

FIG. 1 is a perspective view of a strap wrapping tool; FIG. 2 is a front view of the strap wrapping tool in FIG. 1; FIG. 3 is a back view of the strap wrapping tool in FIG. 1; FIG. 4 is a right side view of the strap wrapping tool in FIG. 1; FIG. 5 is a left side view of the strap wrapping tool in FIG. 1; FIG. 6 is a top view of the strap wrapping tool in FIG. 1; and, FIG. 7 is a bottom view of the strap wrapping tool in FIG. 1.

The uneven broken lines delineate the boundaries of the claimed design. The even broken lines illustrate portions of the strap wrapping tool that form no part of the claimed design.

1 Claim, 6 Drawing Sheets



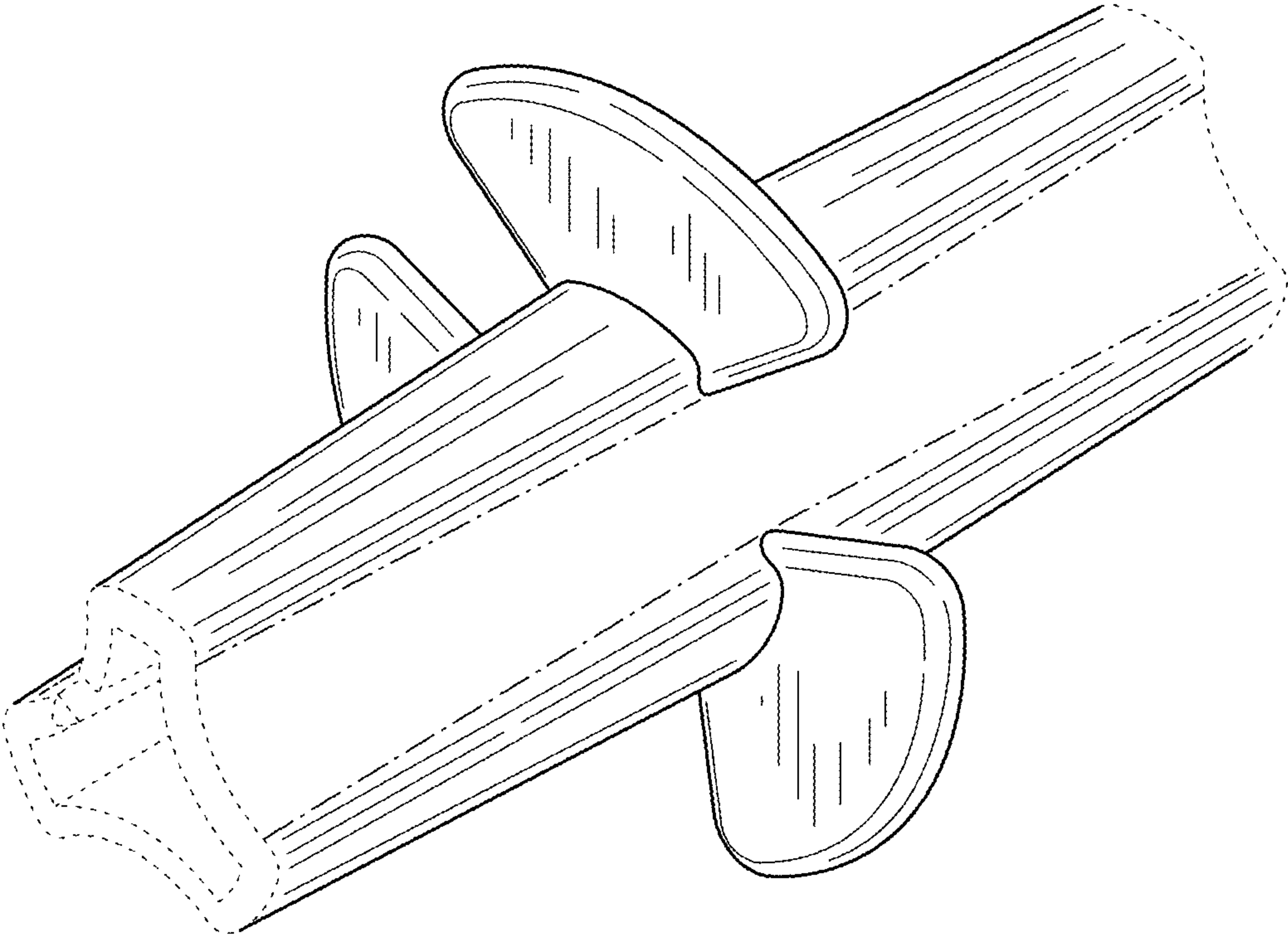


FIG.1

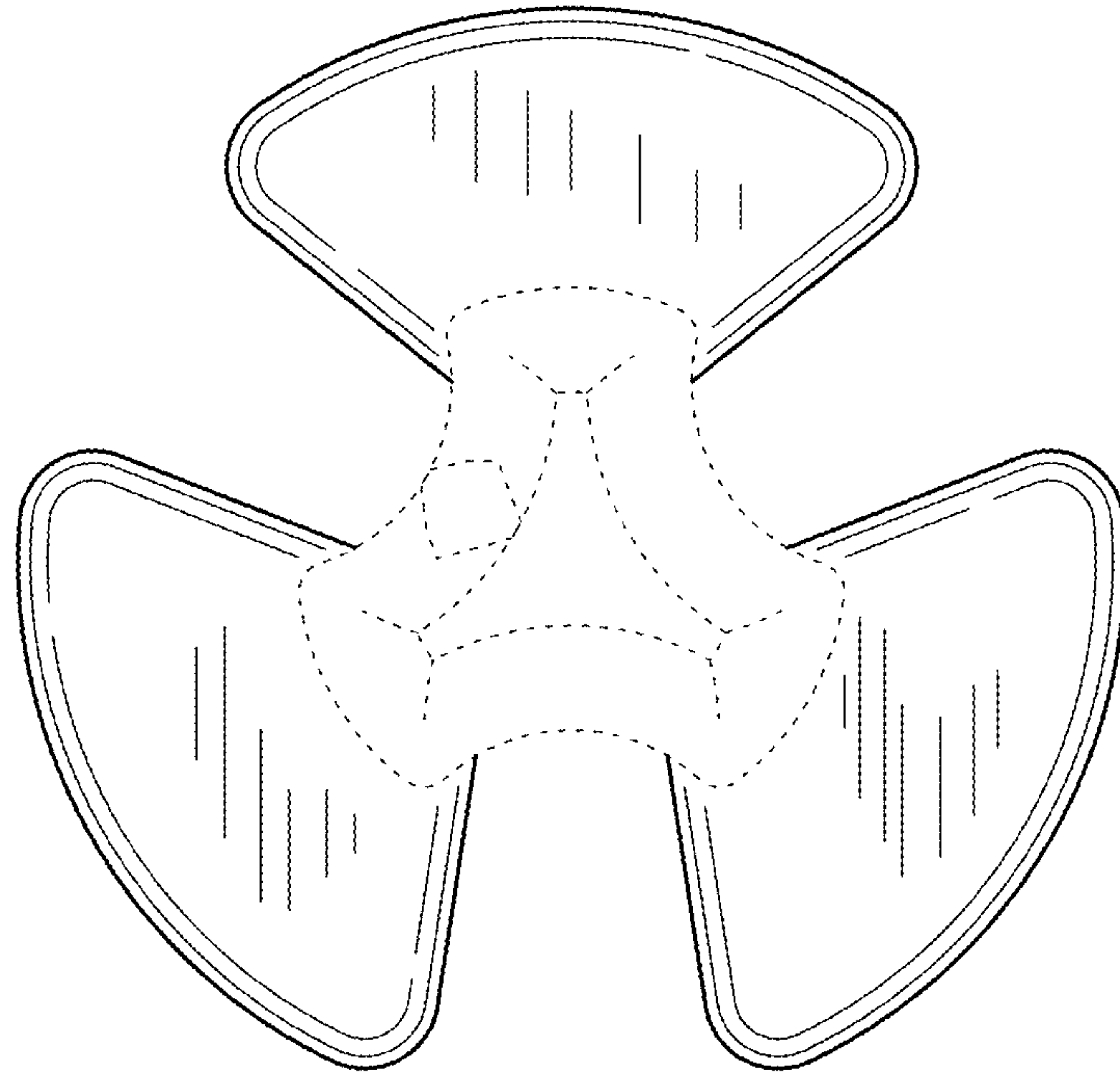


FIG. 2

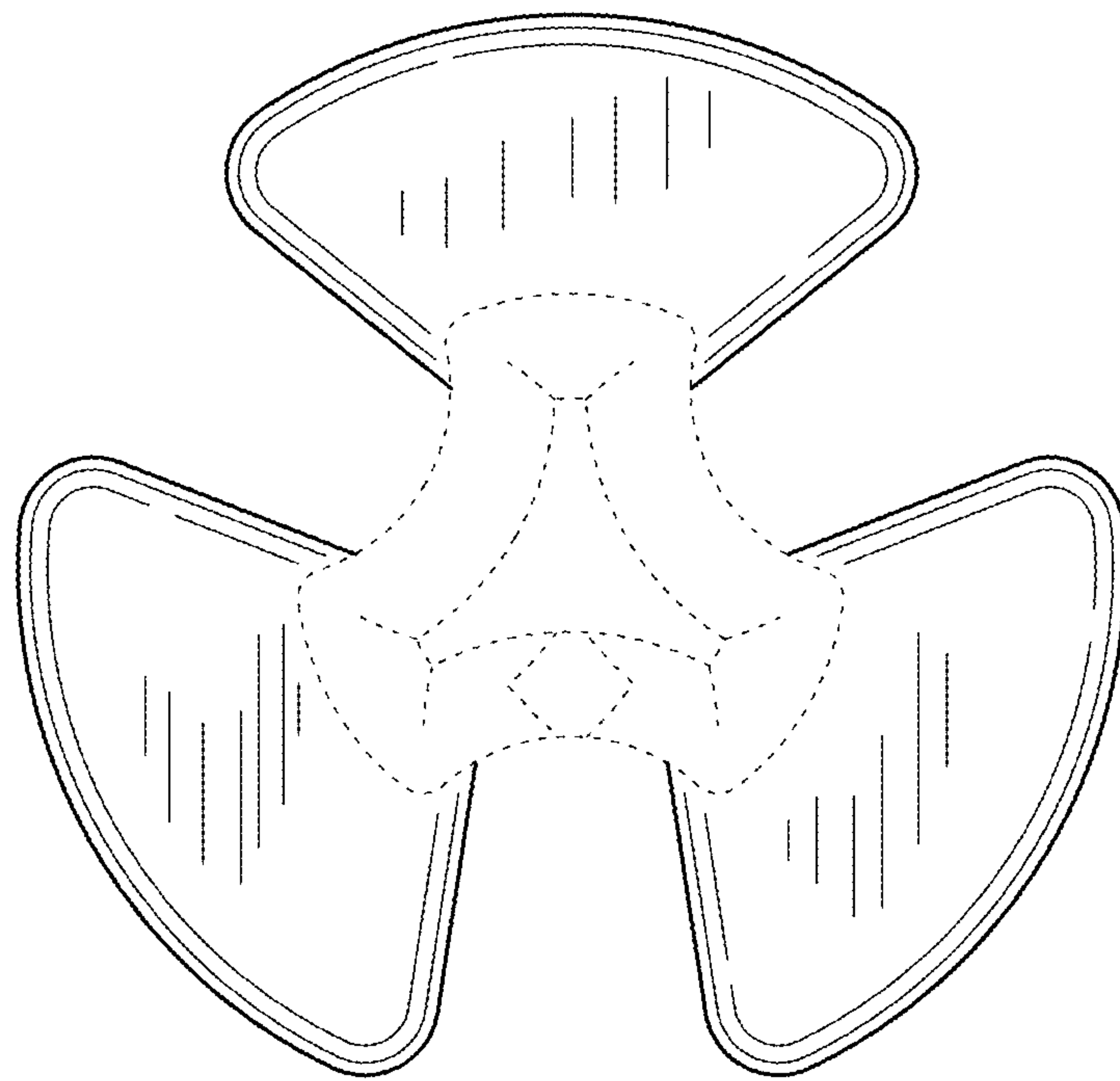


FIG. 3

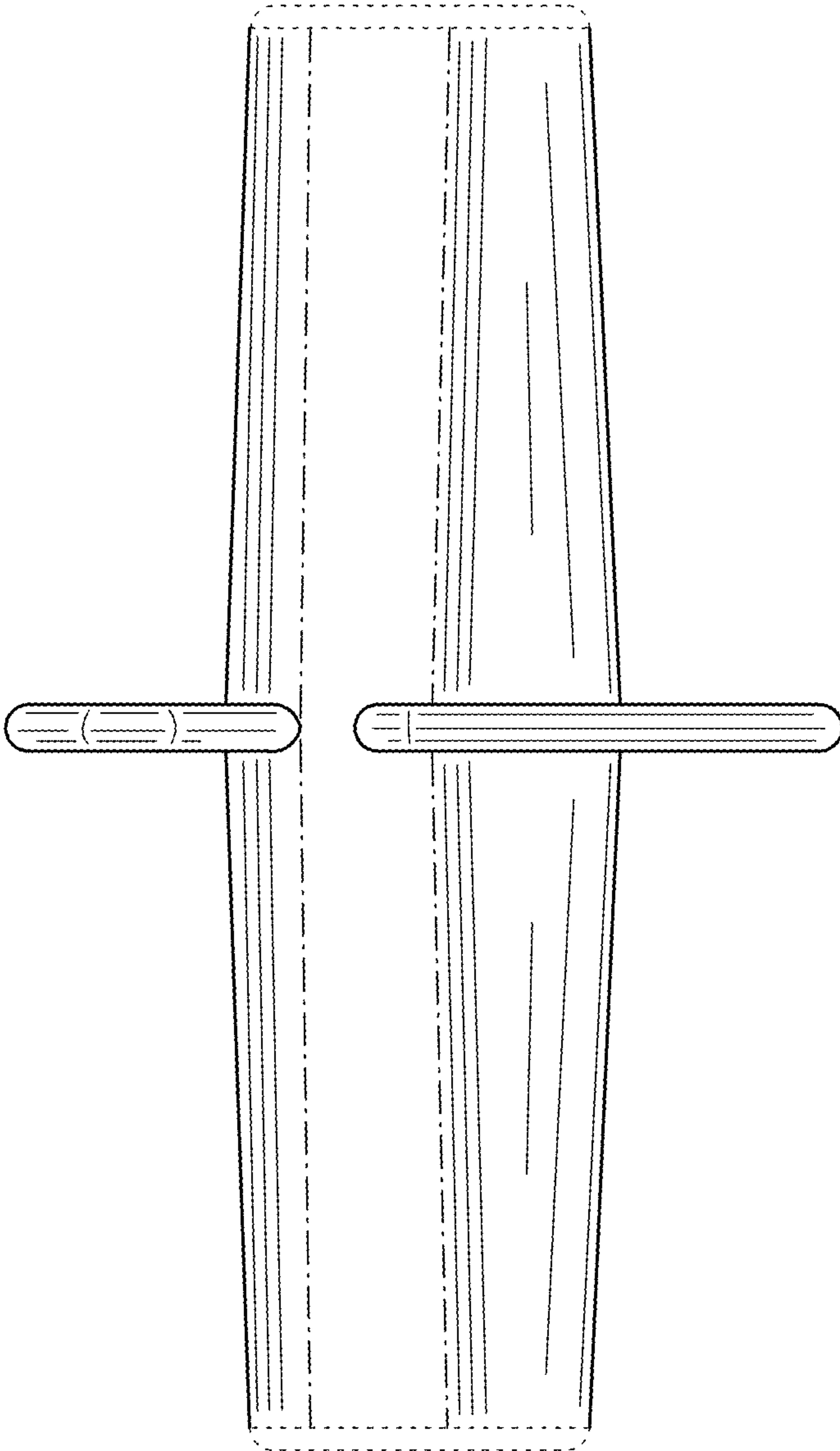


FIG.4

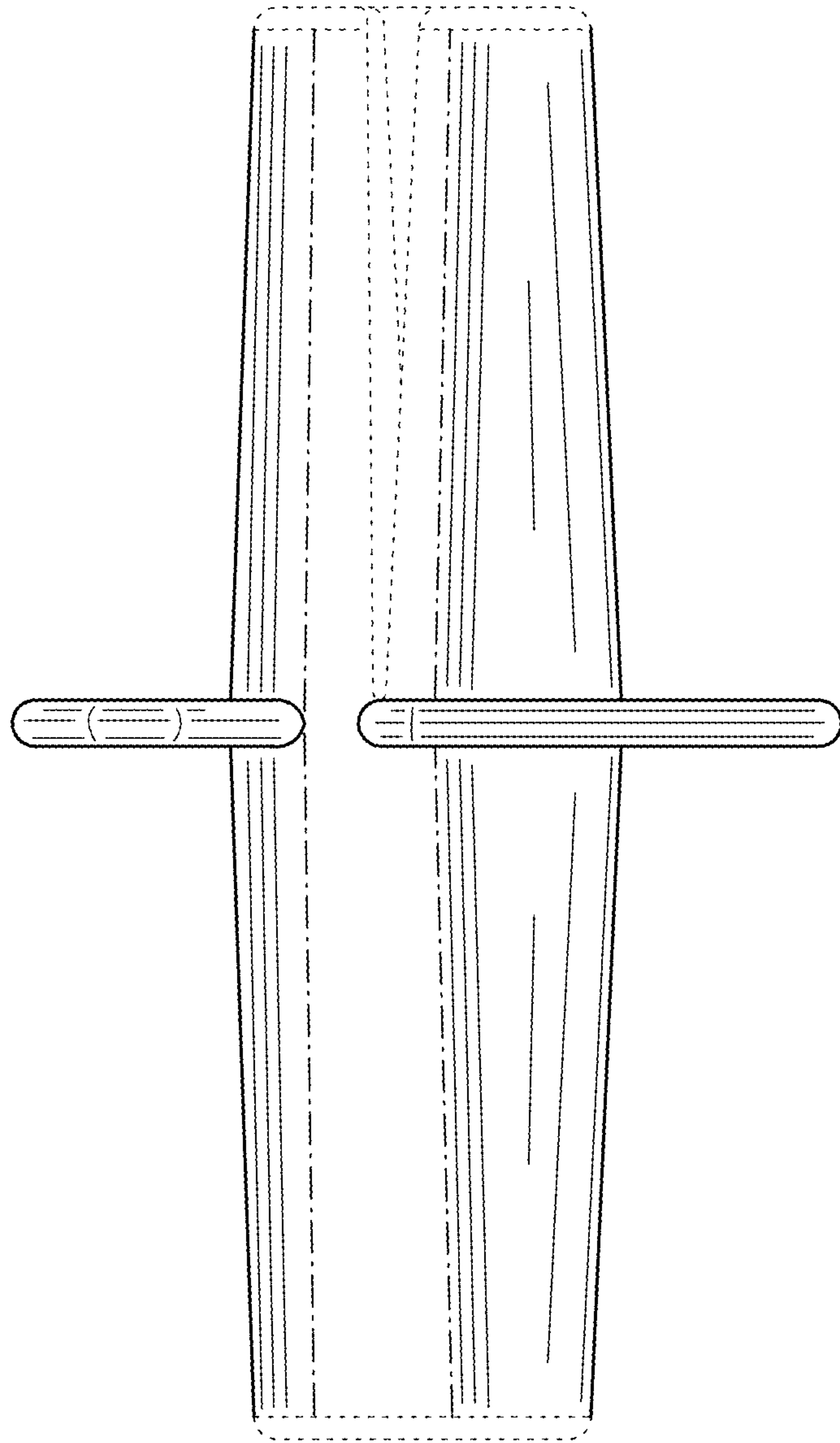


FIG. 5

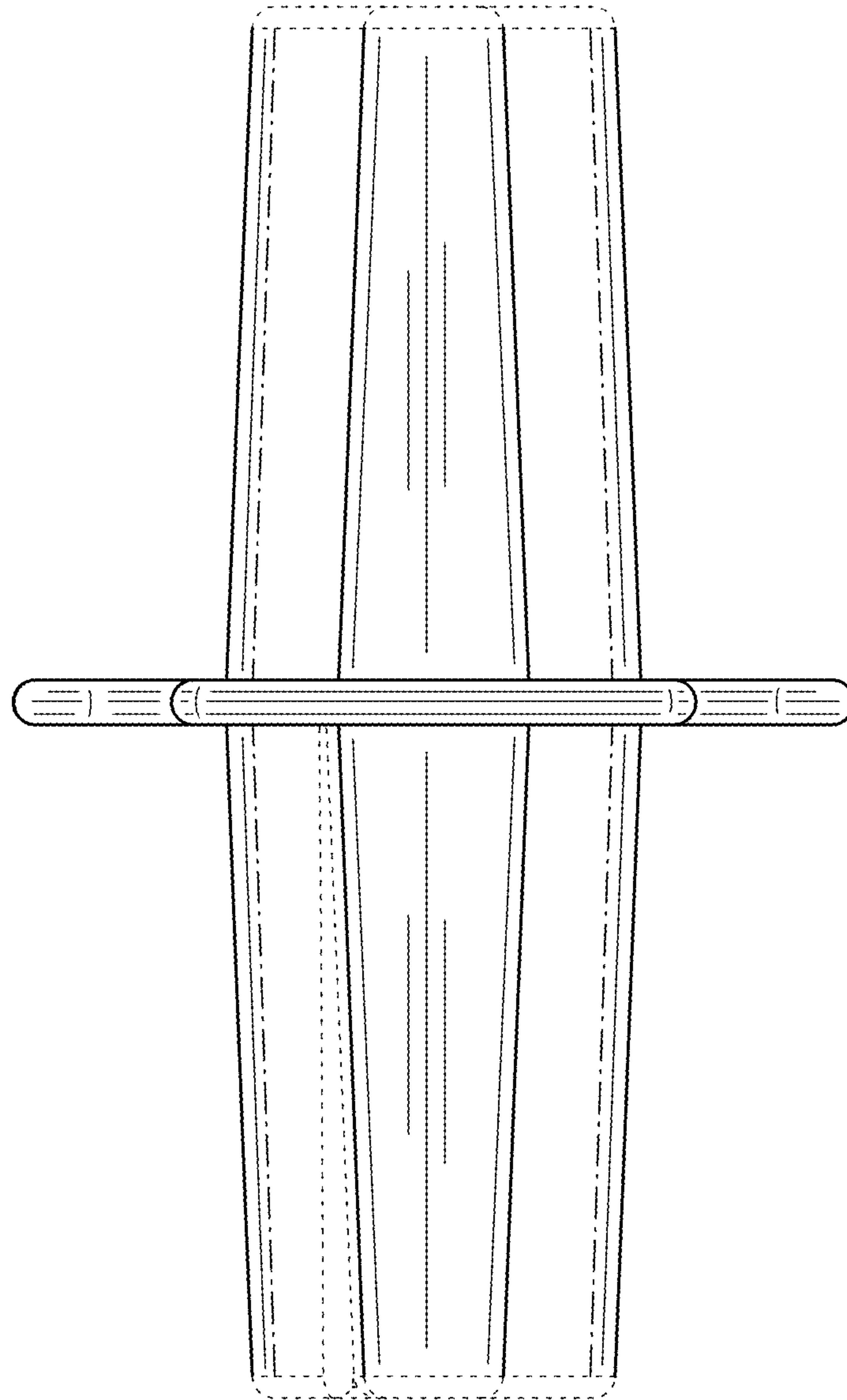


FIG.6

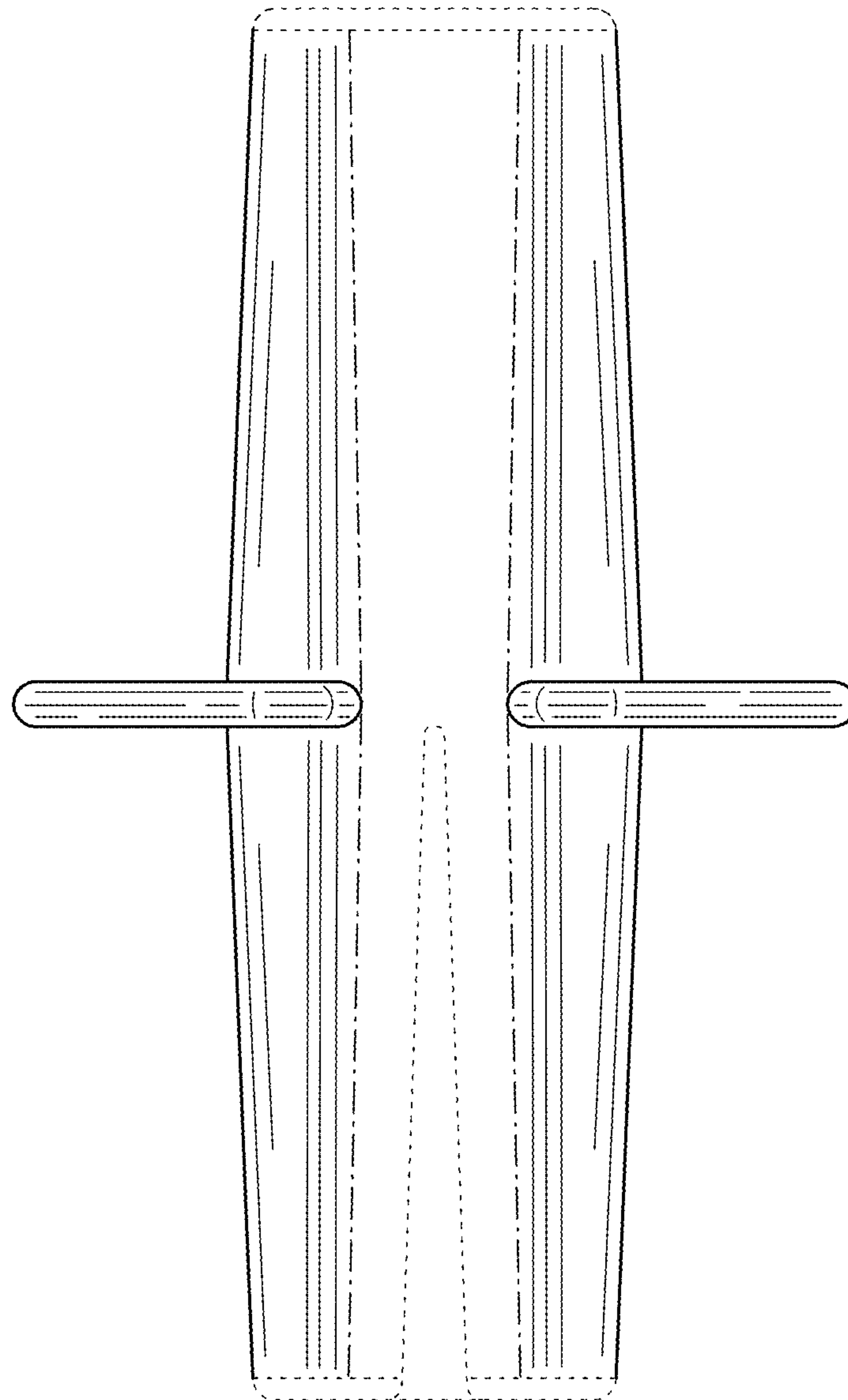


FIG.7