



US00D889223S

(12) **United States Design Patent**  
**Liu**

(10) **Patent No.:** **US D889,223 S**

(45) **Date of Patent:** **\*\* Jul. 7, 2020**

(54) **RATCHET TOOL**

(71) Applicant: **BLACK & DECKER INC.**, New Britain, CT (US)

(72) Inventor: **Chao Lein Liu**, Taichung (TW)

(73) Assignee: **BLACK & DECKER INC.**, New Britain, CT (US)

(\*\*) Term: **15 Years**

(21) Appl. No.: **29/678,819**

(22) Filed: **Jan. 31, 2019**

(51) **LOC (12) Cl.** ..... **08-05**

(52) **U.S. Cl.**  
USPC ..... **D8/25; D8/61**

(58) **Field of Classification Search**  
USPC ..... D8/333-336, 339, 324, 649, 104, 105,  
D8/35, 16, 17, 24, 343, 330-332, 21, 82,  
D8/14, 85, 25-29, 22, 23, 346, 18, 81,  
D8/61; D26/26, 51, 38, 35; D24/148,  
D24/135, 147  
CPC ..... B25B 13/02; B25B 13/08; B25B 13/46;  
B25B 13/00; B25B 13/06; B25B 13/56;  
B25B 23/14; B25B 23/108; B25B 23/10;  
B25B 23/00; B25B 27/18; B25B 13/04;  
B23B 13/463; B23B 13/065; B23B 13/04;  
B25G 1/06; E05B 1/0007; E05B 9/00;  
E05B 17/00; A45C 5/00; A45C 13/00;  
A45C 13/002; Y10T 29/49986; G09F  
3/00

See application file for complete search history.

(56) **References Cited**

**U.S. PATENT DOCUMENTS**

5,142,952 A \* 9/1992 Putney ..... B25B 13/465  
81/57  
5,231,901 A \* 8/1993 Putney ..... B25B 21/004  
81/57

D380,949 S \* 7/1997 Sung ..... D8/25  
D387,960 S \* 12/1997 Sung ..... D8/25  
D389,025 S \* 1/1998 Sung ..... D8/25  
D408,243 S \* 4/1999 Izumisawa ..... D8/61  
D455,327 S \* 4/2002 Beer ..... D8/25  
D456,232 S \* 4/2002 Chen ..... D8/25  
D465,395 S \* 11/2002 Hung ..... D8/61  
D468,607 S \* 1/2003 Price ..... D8/61  
6,860,174 B2 \* 3/2005 Kusama ..... B25B 21/004  
81/57.13  
D519,799 S \* 5/2006 Izumisawa ..... D8/25  
D524,617 S \* 7/2006 Schiller ..... D8/61  
D525,501 S \* 7/2006 Chen ..... D8/61  
D525,502 S \* 7/2006 Chen ..... D8/61

(Continued)

**FOREIGN PATENT DOCUMENTS**

CN 301143338 \* 5/2009  
CN 301275229 \* 11/2009

(Continued)

*Primary Examiner* — Keli L Hill

*Assistant Examiner* — Sara S Sahneh

(74) *Attorney, Agent, or Firm* — Adan Ayala

(57) **CLAIM**

The ornamental design for a ratchet tool, as shown and described.

**DESCRIPTION**

FIG. 1 is a front perspective view of a ratchet tool according to the invention.

FIG. 2 is a front view of the ratchet tool of FIG. 1.

FIG. 3 is a rear view of the ratchet tool of FIG. 1.

FIG. 4 is a right side view of the ratchet tool of FIG. 1.

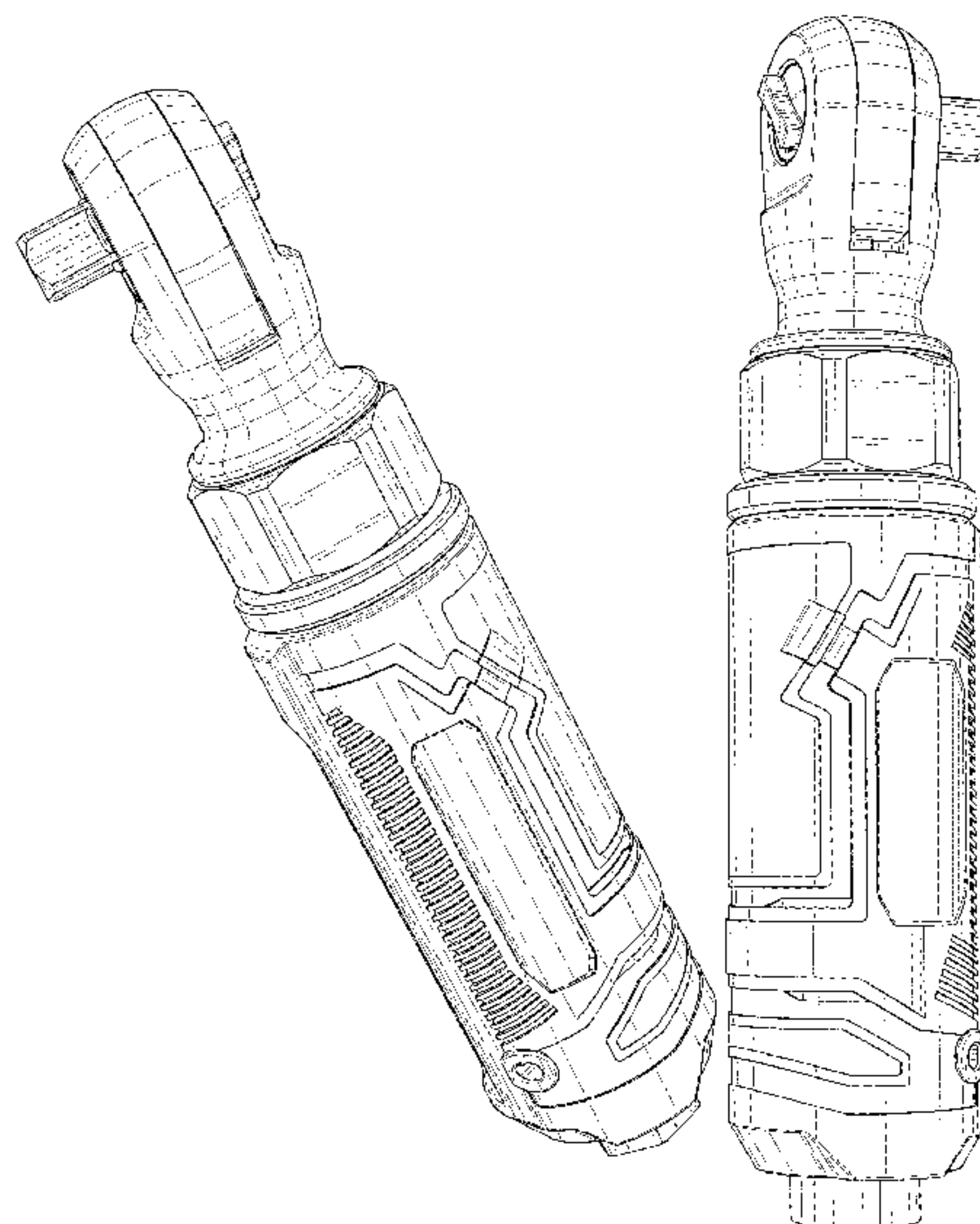
FIG. 5 is a left side view of the ratchet tool of FIG. 1.

FIG. 6 is a top plan view of the ratchet tool of FIG. 1.

FIG. 7 is a bottom plan view of the ratchet tool of FIG. 1; and,

FIG. 8 is a rear perspective view of the ratchet tool of FIG. 1.

**1 Claim, 7 Drawing Sheets**



(56)

**References Cited**

U.S. PATENT DOCUMENTS

D527,591 S \* 9/2006 Liao ..... D8/25  
D540,637 S \* 4/2007 Staples ..... D8/61  
D554,460 S \* 11/2007 Enriquez ..... D8/61  
D578,852 S \* 10/2008 Enriquez ..... D8/61  
D617,620 S \* 6/2010 Yaschur ..... D8/61  
2002/0139547 A1\* 10/2002 Nowak, Jr. .... B25F 5/00  
173/1  
2006/0027048 A1\* 2/2006 Chen ..... B25B 21/004  
81/57.39

FOREIGN PATENT DOCUMENTS

CN 302276271 \* 9/2012  
CN 302935240 \* 5/2014  
CN 304617654 \* 10/2017  
CN 304575934 \* 11/2017  
CN 305040462 \* 8/2018  
CN 305502629 \* 7/2019  
EM 006564670-0001 \* 6/2019

\* cited by examiner

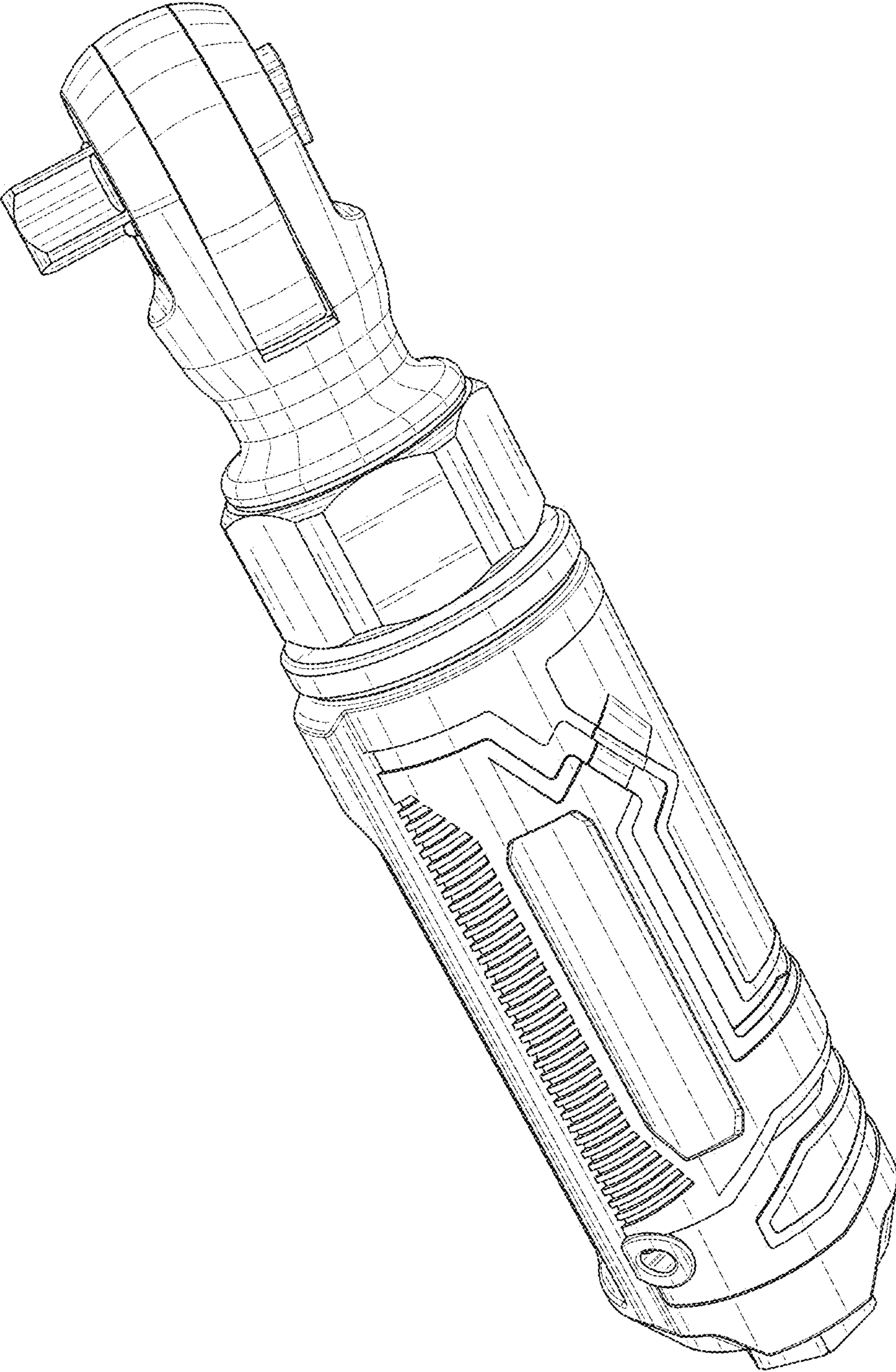


FIG. 1



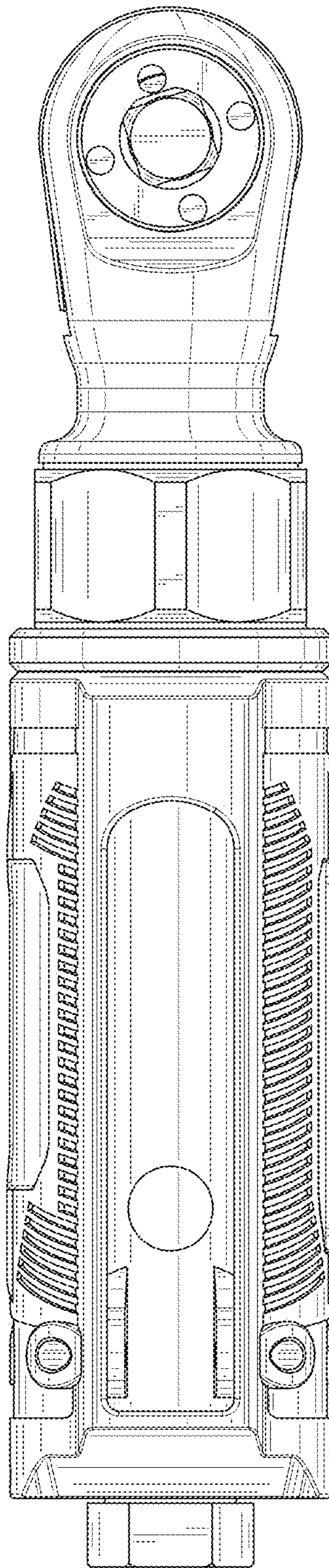


FIG. 2

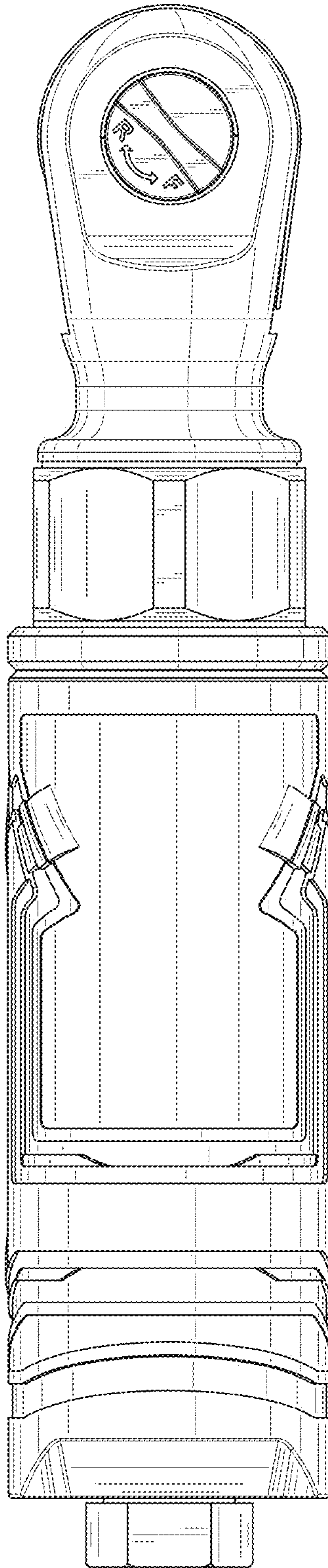


FIG. 3

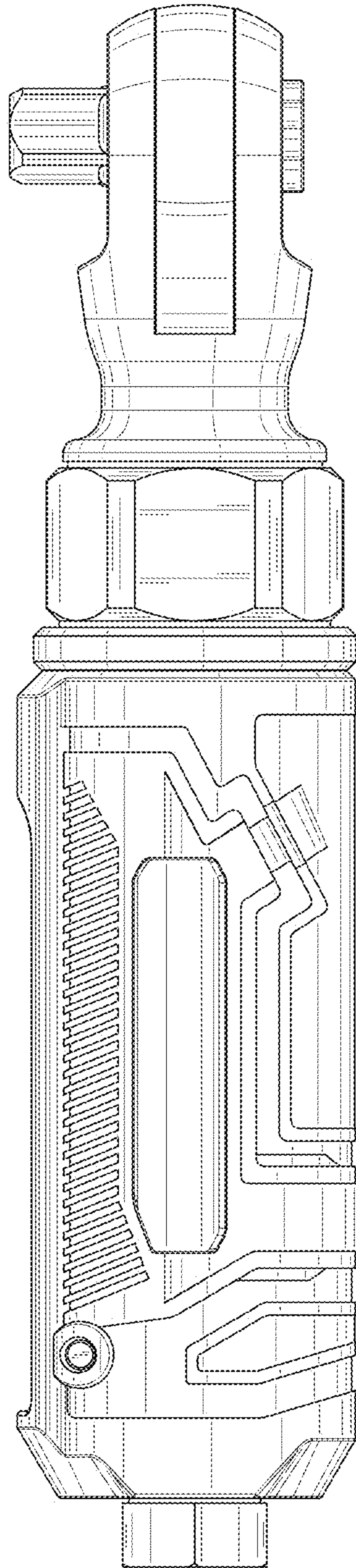


FIG. 4

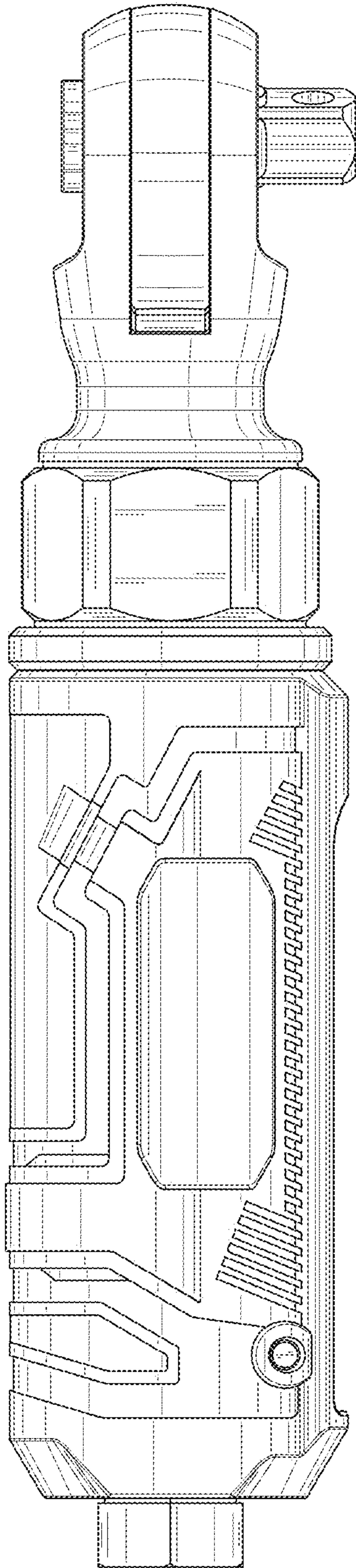


FIG. 5



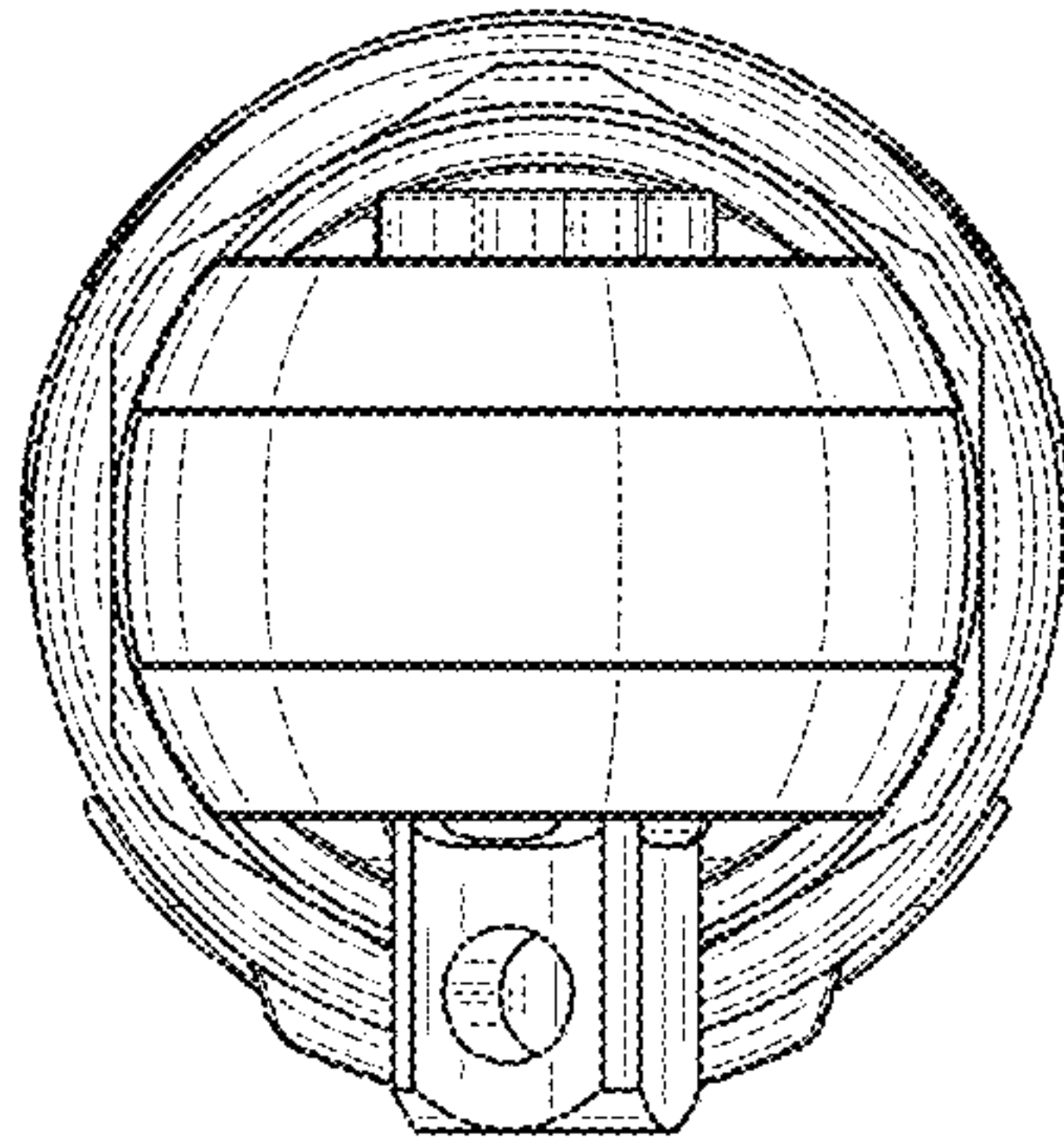


FIG. 6

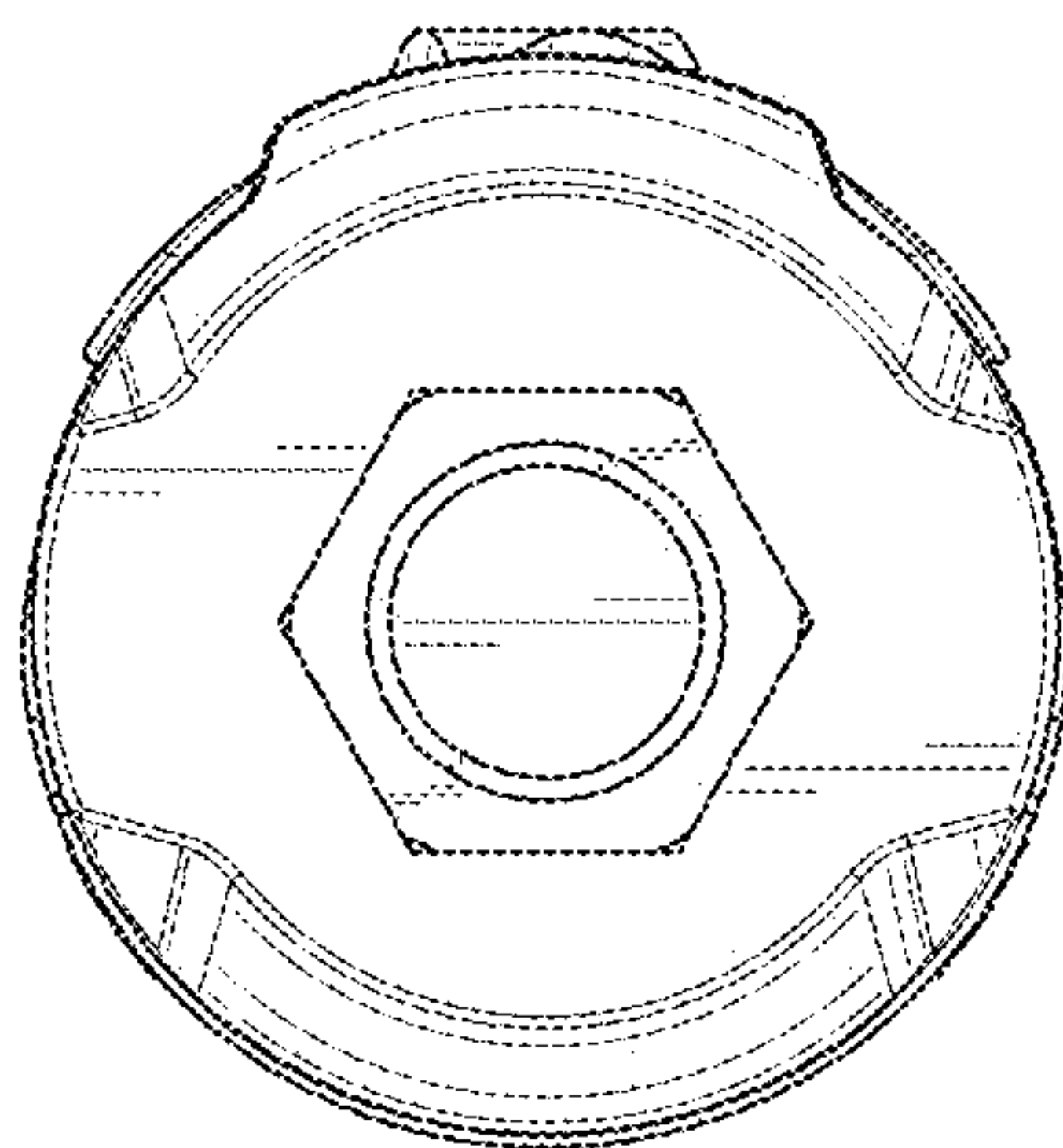


FIG. 7



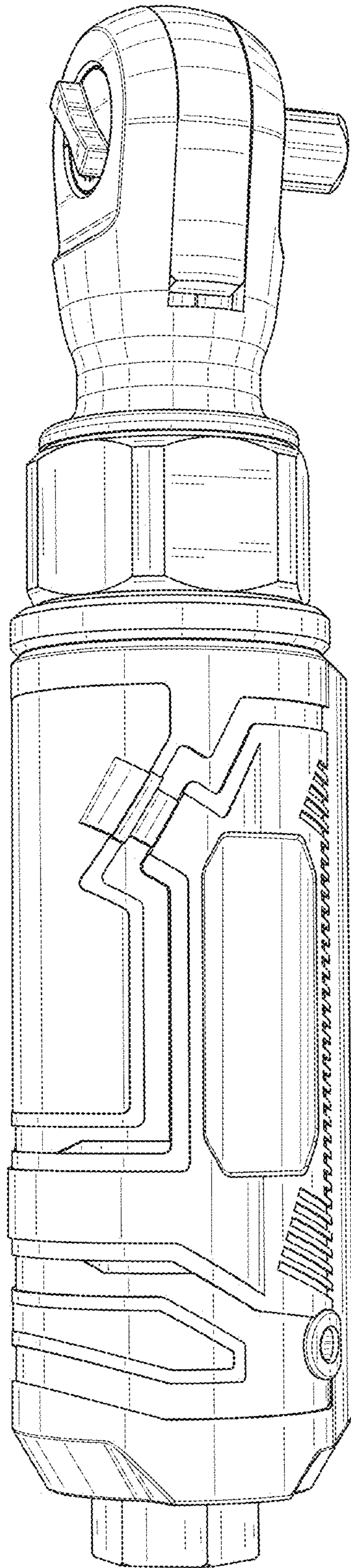


FIG. 8