



US00D889222S

(12) **United States Design Patent**
Hung

(10) **Patent No.:** **US D889,222 S**

(45) **Date of Patent:** **** Jul. 7, 2020**

- (54) **CAULKING GUN**
- (71) Applicant: **SIANG SYUAN FU ENTERPRISE CO., LTD.**, Chunghua County (TW)
- (72) Inventor: **Hung-Chih Hung**, Changhua County (TW)
- (73) Assignee: **SIANG SYUAN FU ENTERPRISE CO., LTD.**, Changhua County (TW)
- (**) Term: **15 Years**
- (21) Appl. No.: **29/671,728**
- (22) Filed: **Nov. 29, 2018**
- (51) **LOC (12) Cl.** **08-05**
- (52) **U.S. Cl.**
USPC **D8/14.1**
- (58) **Field of Classification Search**
USPC D8/14, 14.4, 51, 68
CPC B05C 1/00; B05C 17/00; B05C 17/01; B05C 17/0016; B05C 17/0123; B05C 21/00
See application file for complete search history.

(56) **References Cited**

U.S. PATENT DOCUMENTS

- D369,285 S * 4/1996 Leech D8/14.1
- D413,235 S * 8/1999 Hwang D8/14.1
- 6,691,899 B2 * 2/2004 Sung B05C 17/01
222/391
- D511,077 S * 11/2005 Huang D8/14.1
- D511,445 S * 11/2005 Childs D8/14.1

- 7,073,691 B2 * 7/2006 Rumrill B05C 17/01
222/327
- D640,517 S * 6/2011 Rumrill D8/14.1
- D762,431 S * 8/2016 Lee B05C 17/0116
D8/14.1
- D788,553 S * 6/2017 Hung D8/14.1
- D793,826 S * 8/2017 Sichien D8/14.1
- 2017/0291190 A1 * 10/2017 Hung B05C 17/00596
- 2018/0215524 A1 * 8/2018 Springhorn B05C 17/01

* cited by examiner

Primary Examiner — Philip S Hyder

(74) *Attorney, Agent, or Firm* — Muncy, Geissler, Olds & Lowe, P.C.

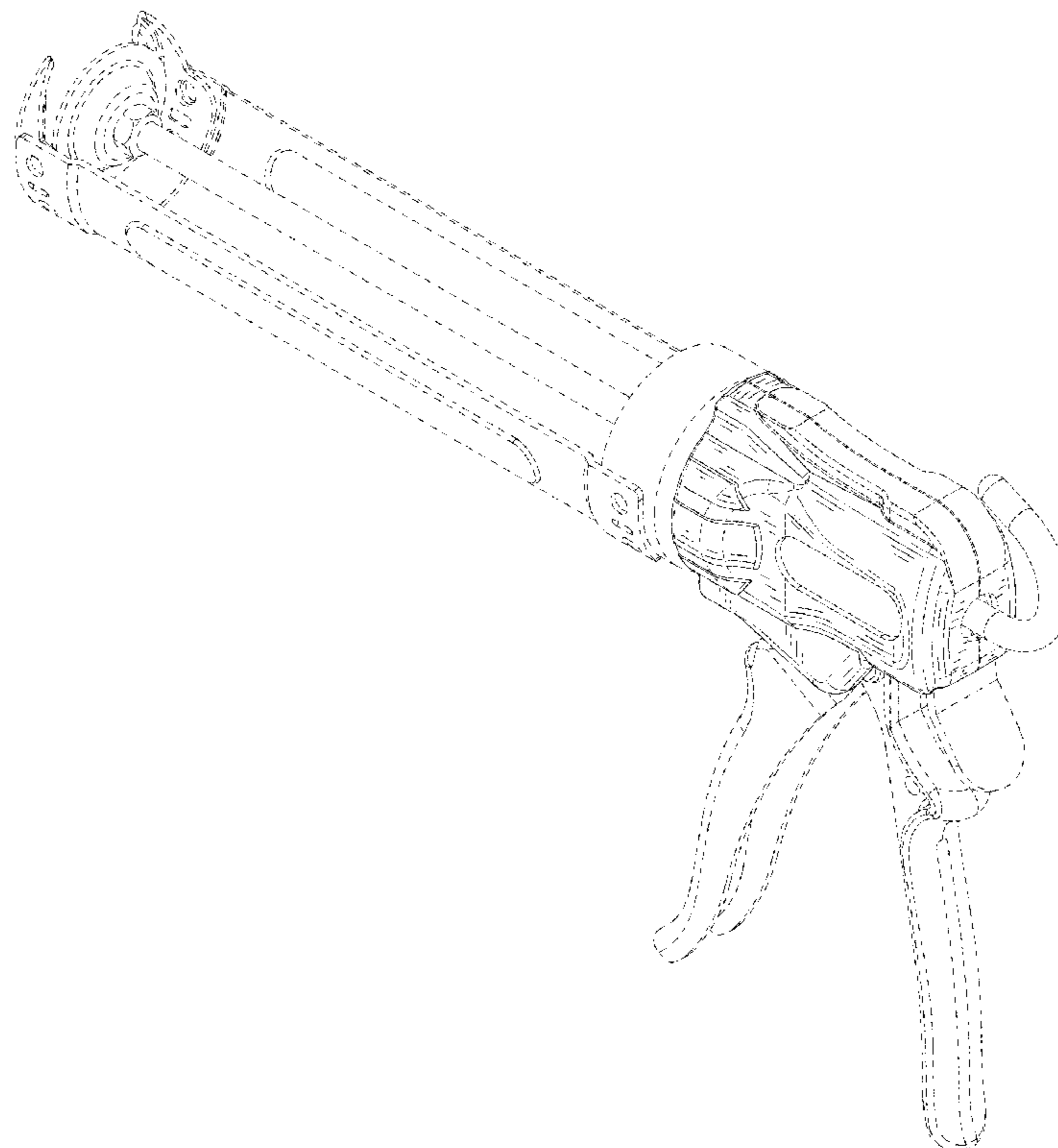
(57) **CLAIM**

I claim the ornamental design for a caulking gun, as shown and described.

DESCRIPTION

FIG. 1 is a top, front, right perspective view of a caulking gun showing my new design;
 FIG. 2 is a front elevational view thereof;
 FIG. 3 is a rear elevational view thereof;
 FIG. 4 is a left side view thereof;
 FIG. 5 is a right side view thereof;
 FIG. 6 is a top plan view thereof;
 FIG. 7 is a bottom plan view thereof; and,
 FIG. 8 is a bottom, rear, right perspective view.
 The broken lines in the drawings illustrate portions of the caulking gun which form no part of the claimed design.

1 Claim, 6 Drawing Sheets



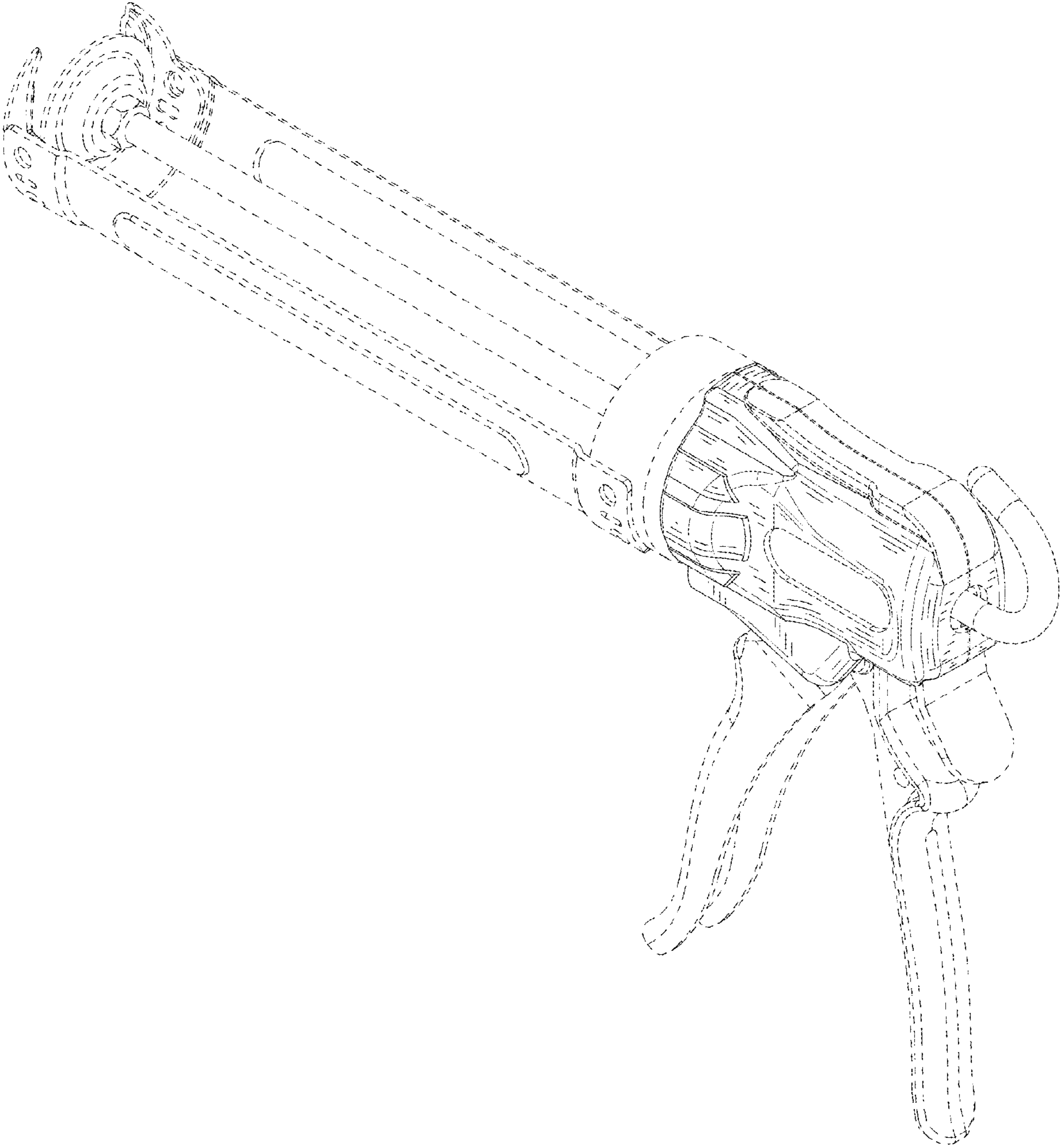


FIG. 1

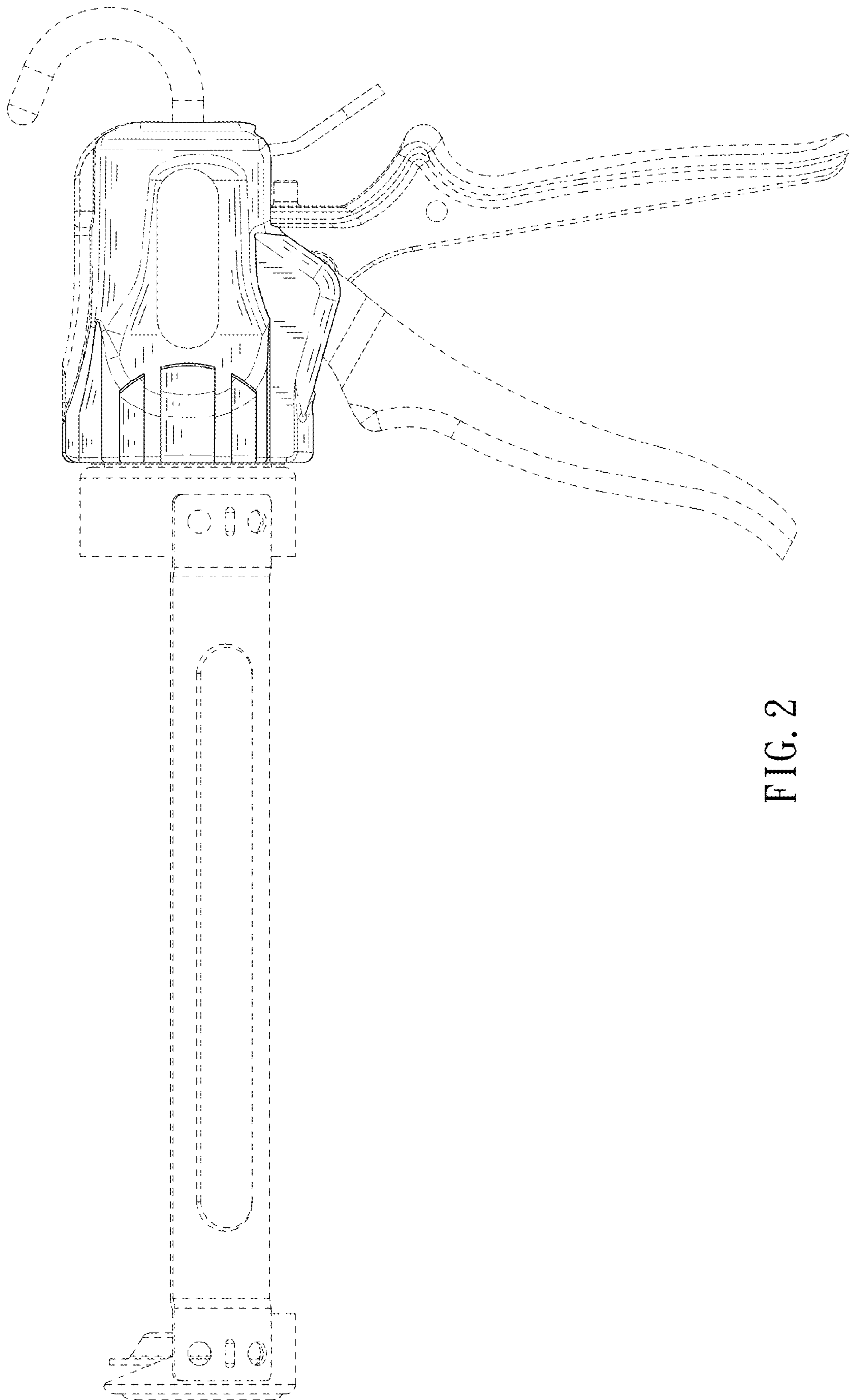


FIG. 2

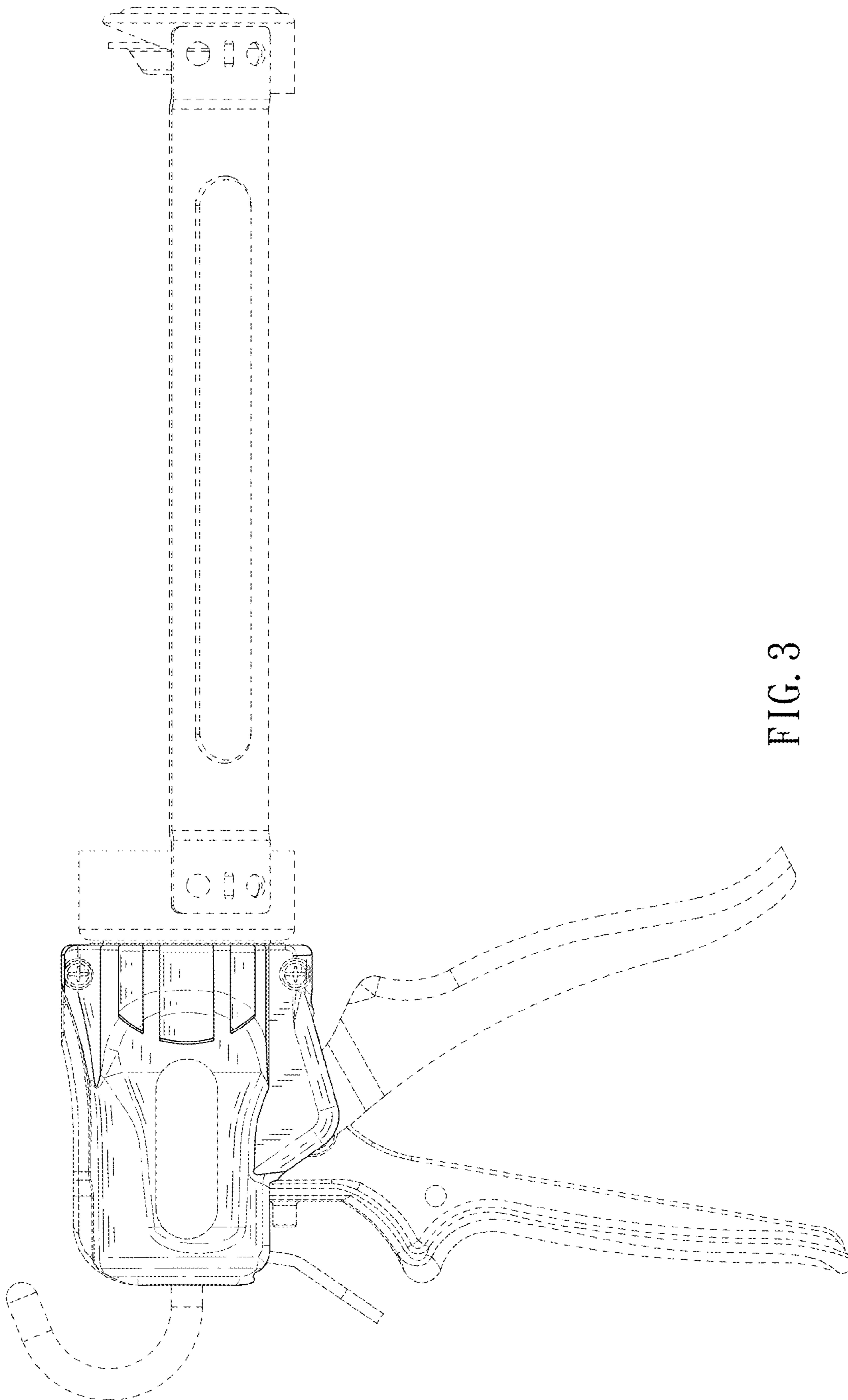


FIG. 3

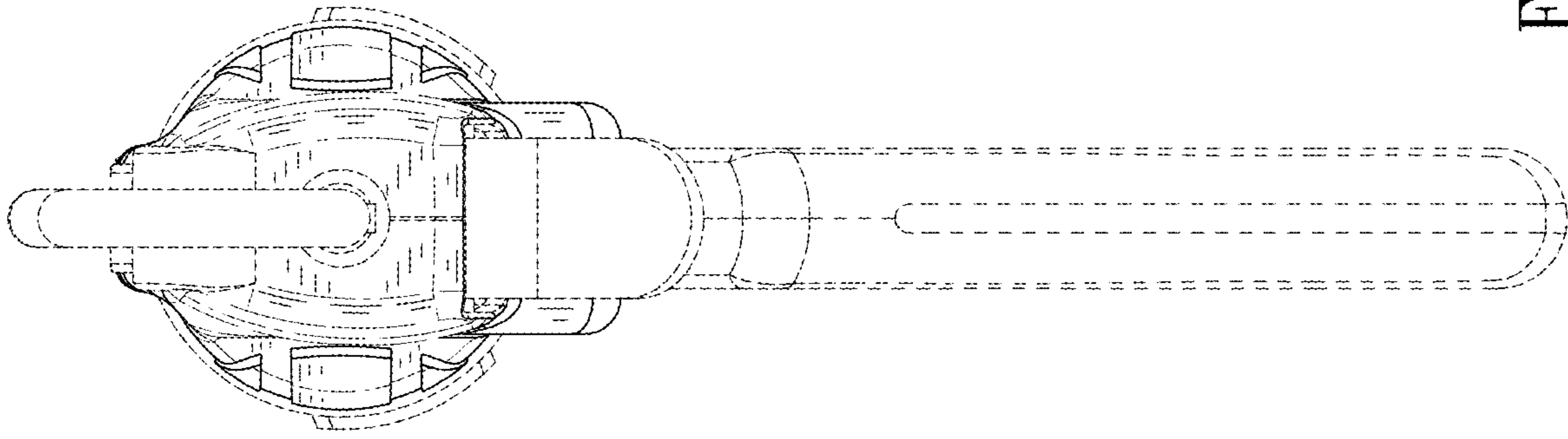


FIG. 5

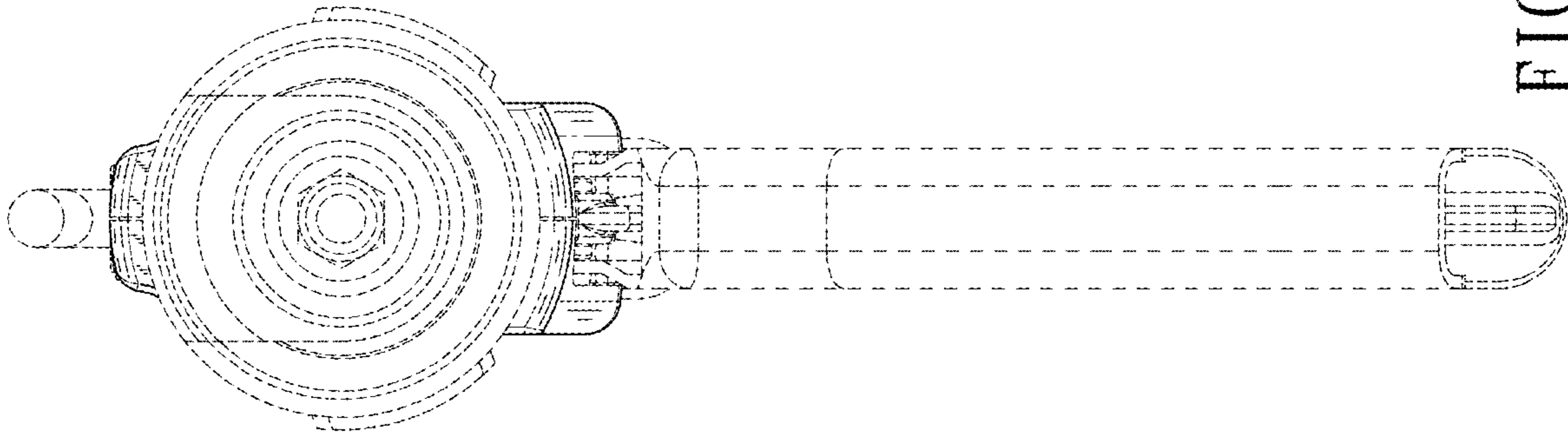


FIG. 4

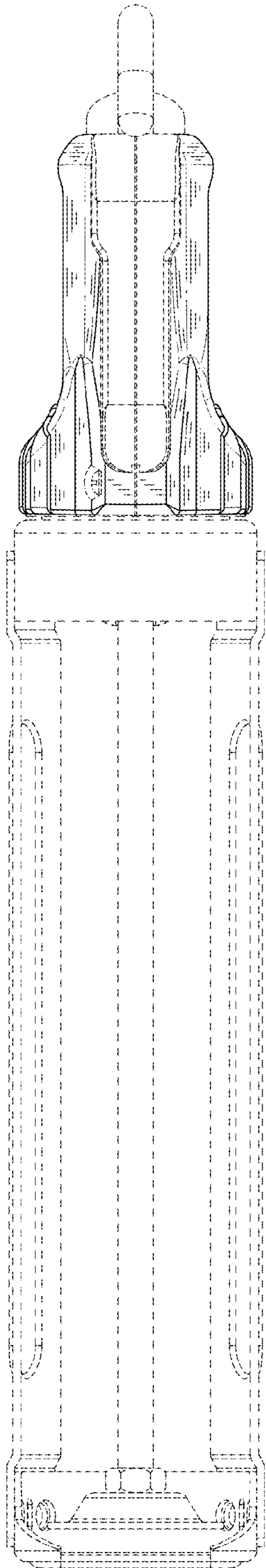


FIG. 6

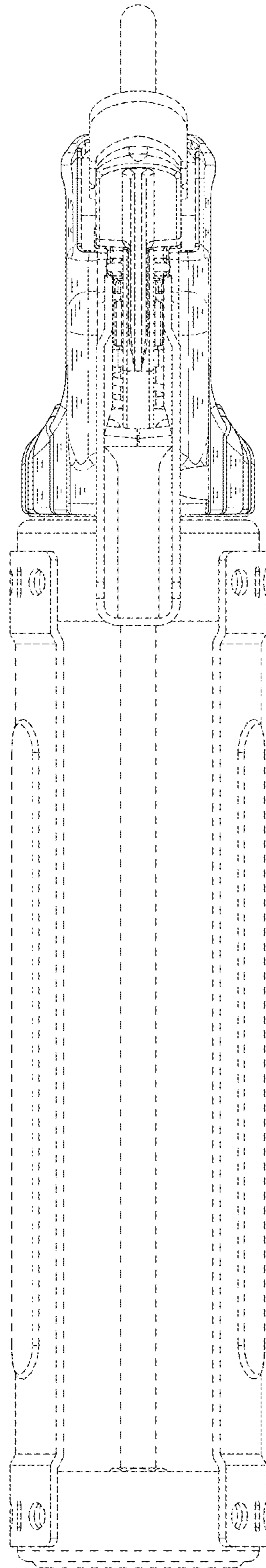


FIG. 7

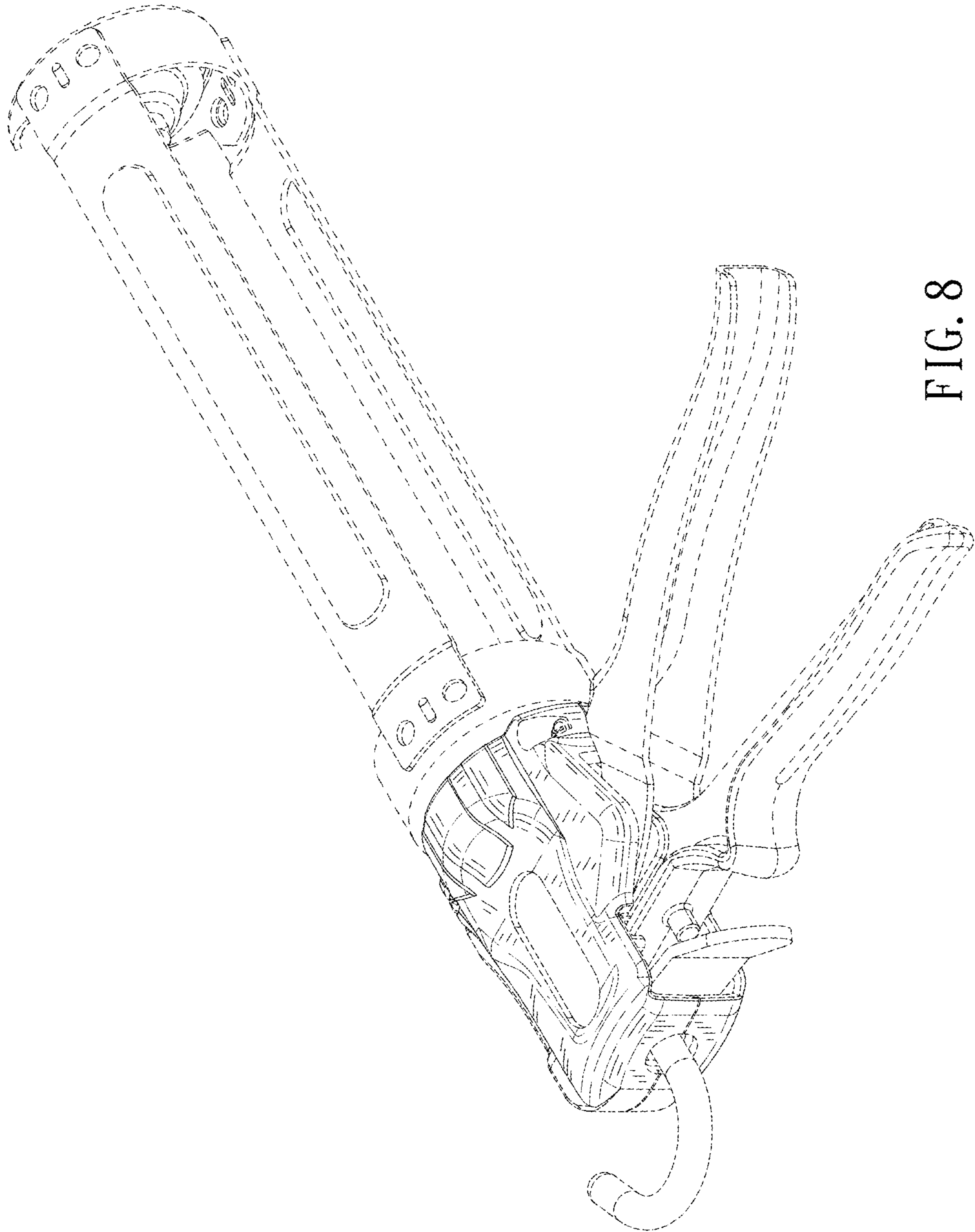


FIG. 8