



US00D889221S

(12) **United States Design Patent**
Liebelt

(10) **Patent No.:** **US D889,221 S**

(45) **Date of Patent:** **** Jul. 7, 2020**

- (54) **FASTENER REMOVAL TOOL**
- (71) Applicant: **ILLINOIS TOOL WORKS INC.**,
Glenview, IL (US)
- (72) Inventor: **Scott Liebelt**, Eau Claire, WI (US)
- (73) Assignee: **Illinois Tool Works Inc.**, Glenview, IL
(US)
- (**) Term: **15 Years**
- (21) Appl. No.: **29/675,680**
- (22) Filed: **Jan. 4, 2019**
- (51) **LOC (12) Cl.** **08-05**
- (52) **U.S. Cl.**
USPC **D8/14; D8/386**
- (58) **Field of Classification Search**
USPC D8/14, 98, 47, 70, 51, 382, 386
CPC .. B21J 15/50; B21J 15/00; B21J 15/04; F16B
19/1081; F16B 19/008; F16B 19/00
See application file for complete search history.

- 9,879,707 B2 * 1/2018 Watanabe F16B 5/0241
- 10,113,577 B2 10/2018 Kanie
- 2002/0026693 A1 * 3/2002 Akema F16B 19/1081
24/453
- 2004/0013481 A1 * 1/2004 Jeppesen B23B 51/0426
408/201
- 2006/0171793 A1 * 8/2006 Kawai F16B 19/1081
411/45

* cited by examiner

Primary Examiner — Philip S Hyder

(74) *Attorney, Agent, or Firm* — Quarles & Brady LLP

(57) **CLAIM**

The ornamental design for a fastener removal tool, as shown and described.

DESCRIPTION

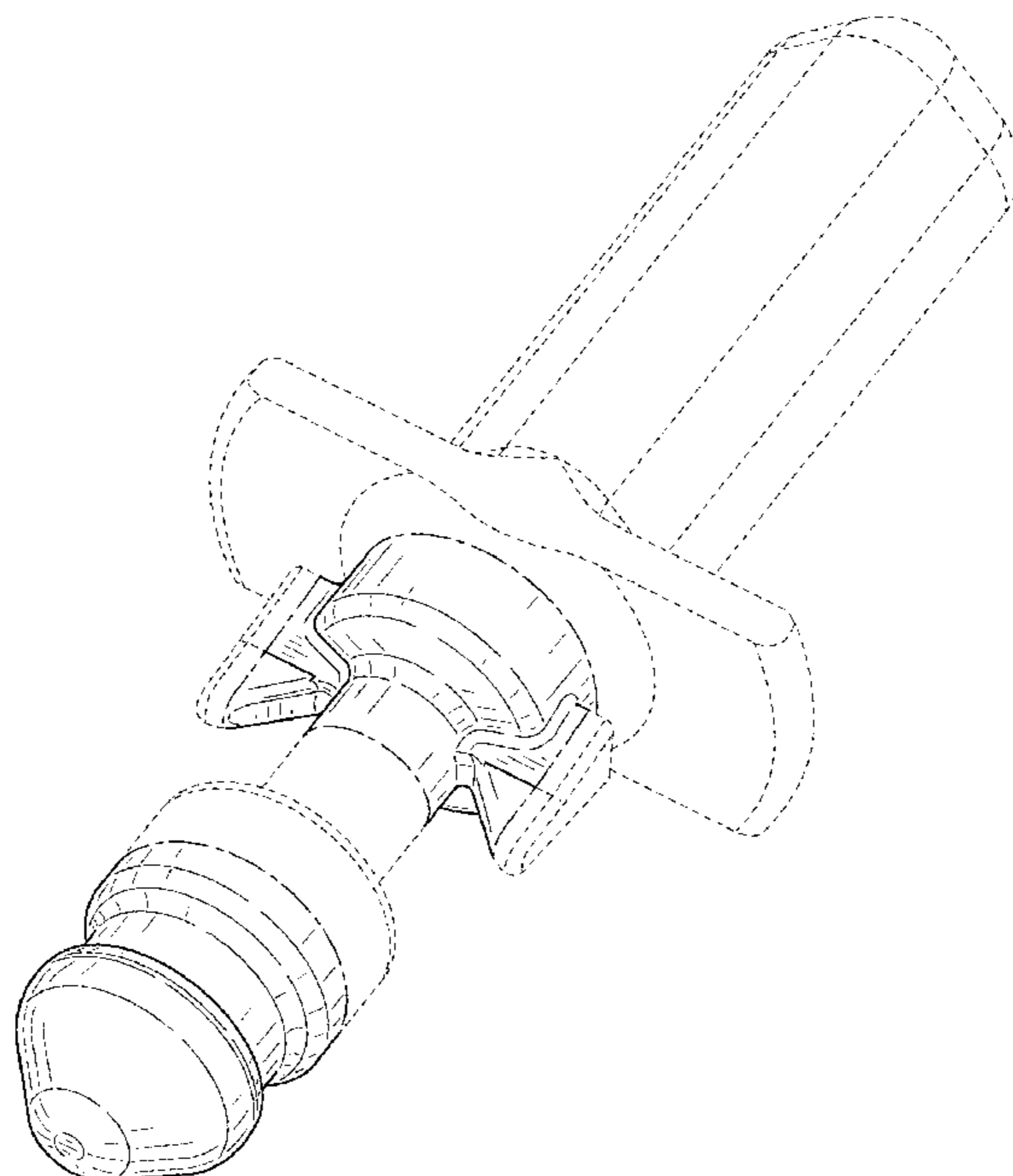
FIG. 1 is an isometric view of a front, top, and right side of an ornamental design for a fastener removal tool;
 FIG. 2 is a front elevational view of the fastener removal tool of FIG. 1;
 FIG. 3 is a rear elevational view of the fastener removal tool of FIG. 1;
 FIG. 4 is a right side elevational view of the fastener removal tool of FIG. 1;
 FIG. 5 is a left side elevational view of the fastener removal tool of FIG. 1;
 FIG. 6 is a top plan view of the fastener removal tool of FIG. 1;
 FIG. 7 is a bottom plan view of the fastener removal tool of FIG. 1; and,
 FIG. 8 is an isometric view of the front, bottom, and right side of the fastener removal tool of FIG. 1.
 The dash-dash-dash lines are included for the purpose of illustrating portions that form no part of the claimed design. The dash-dot-dash lines showing boundary lines form no part of the claimed design.

1 Claim, 5 Drawing Sheets

(56) **References Cited**

U.S. PATENT DOCUMENTS

- 5,435,679 A * 7/1995 Barry A41H 37/005
244/131
- 5,507,610 A * 4/1996 Benedetti F16B 5/0628
24/297
- 5,975,820 A * 11/1999 Kirchen F16B 5/0628
411/339
- 6,431,585 B1 * 8/2002 Rickabus B60R 21/215
24/114.05
- 7,033,121 B2 * 4/2006 Kirchen F16B 19/008
24/453
- 8,769,779 B2 * 7/2014 Lee B60R 13/0206
24/292
- 9,061,379 B1 * 6/2015 Mead F16B 19/1072



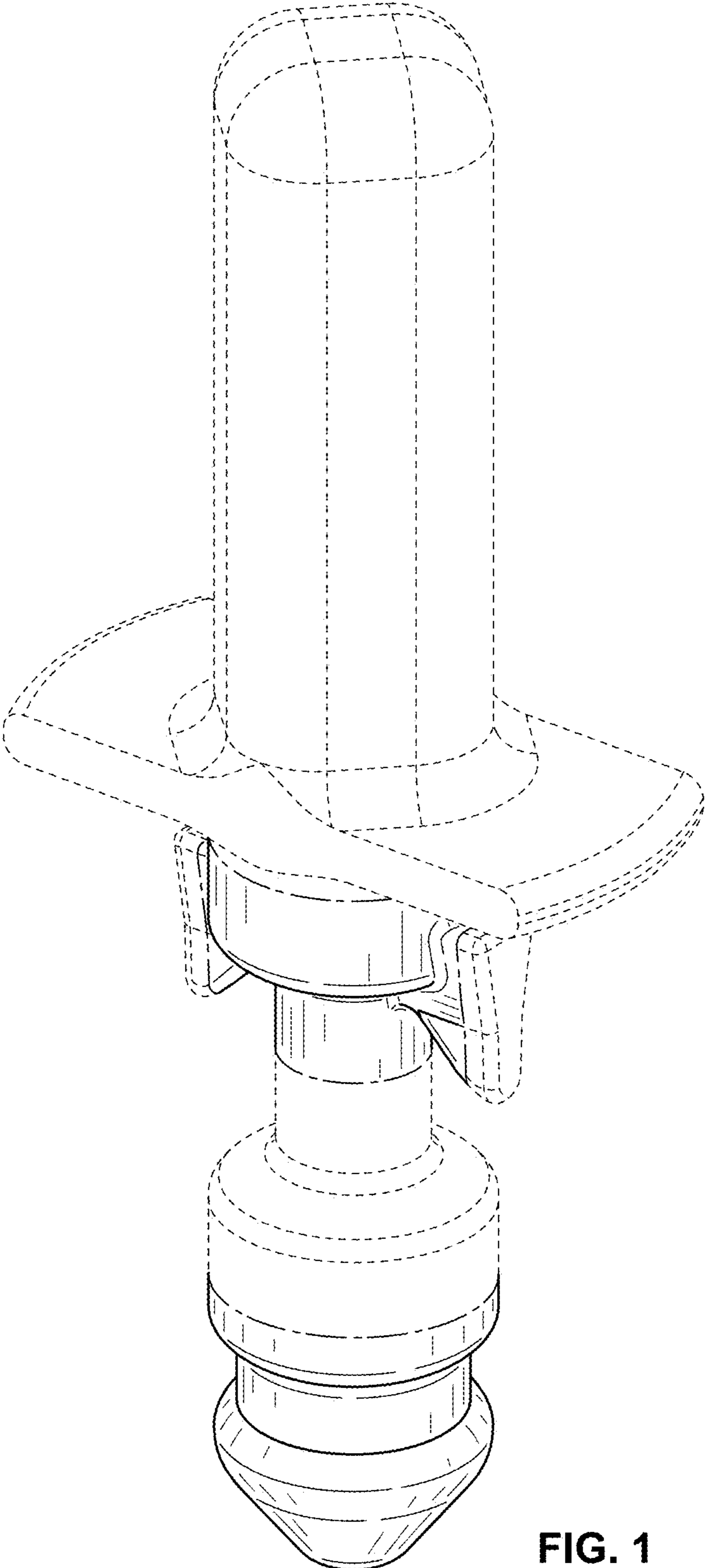
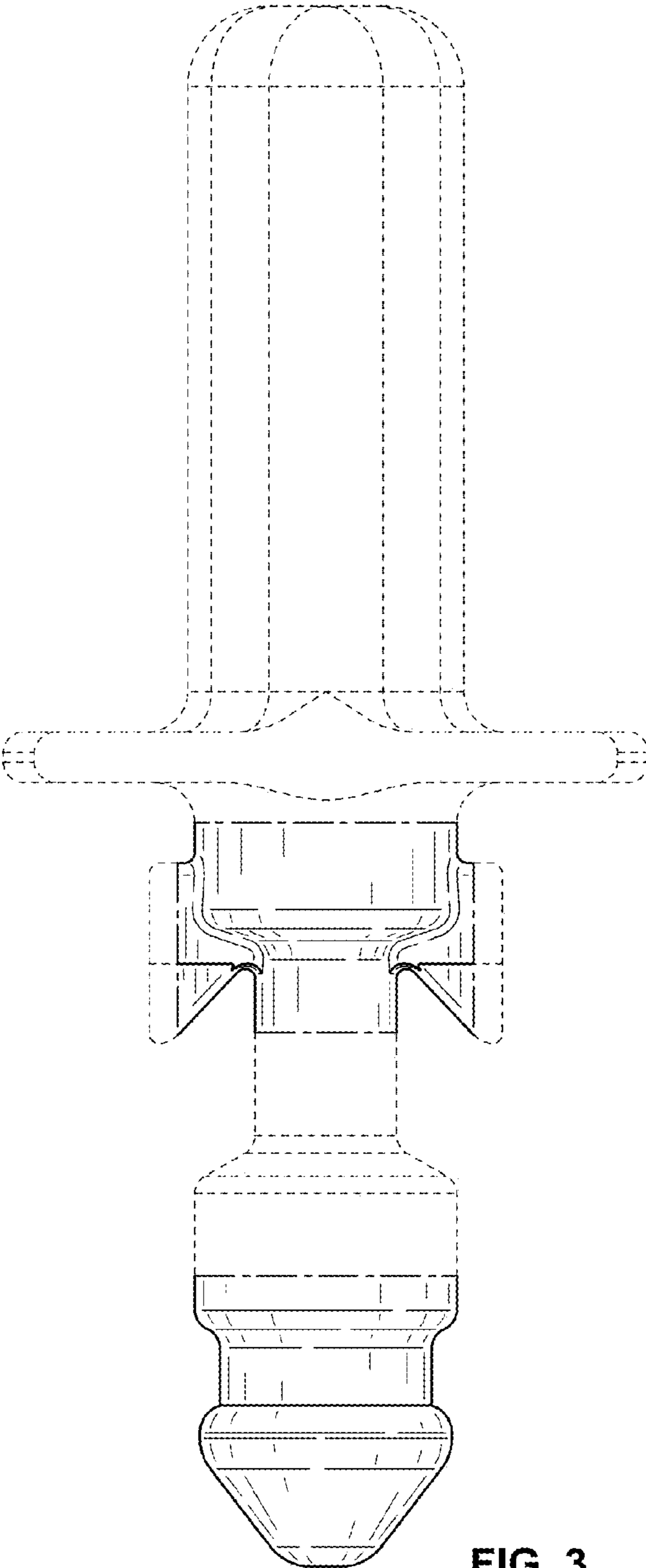
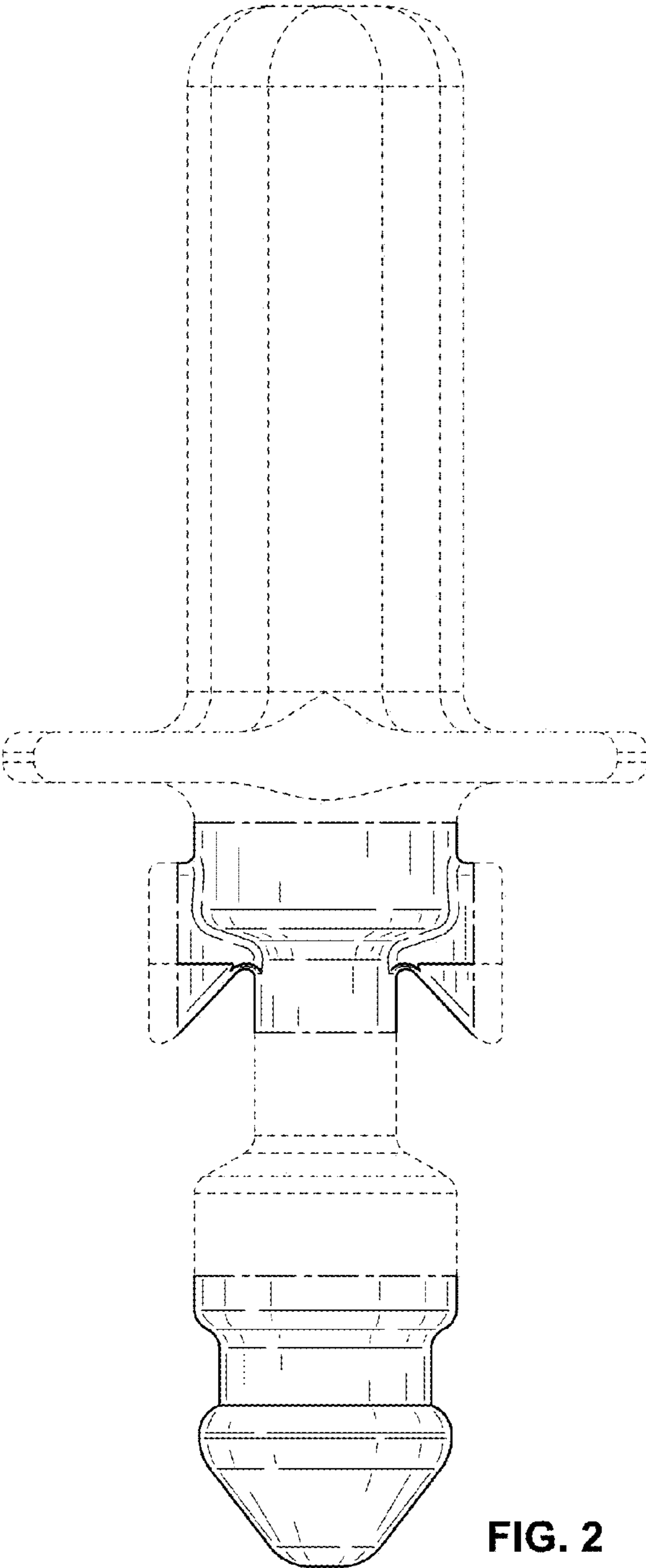


FIG. 1



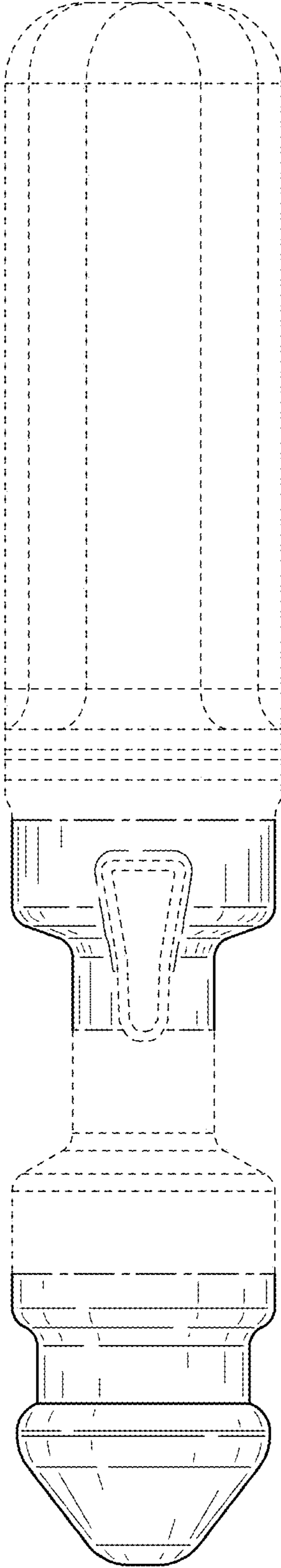


FIG. 4

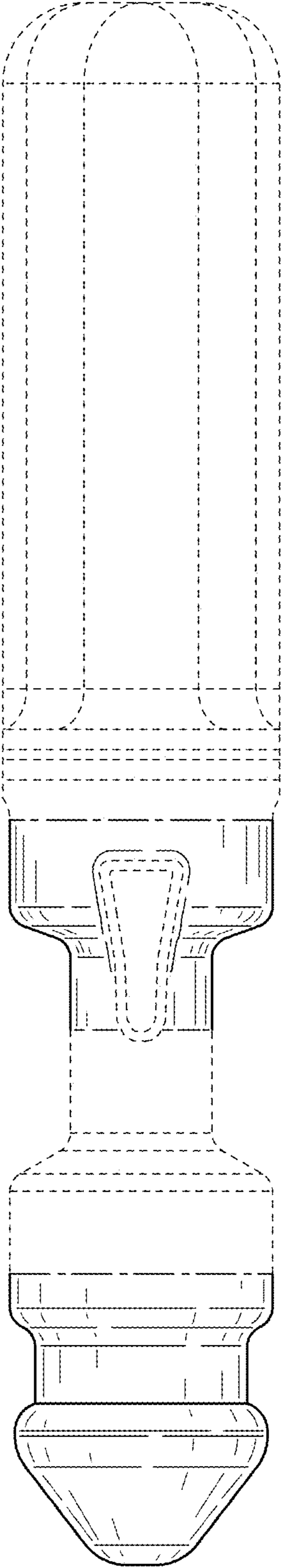


FIG. 5

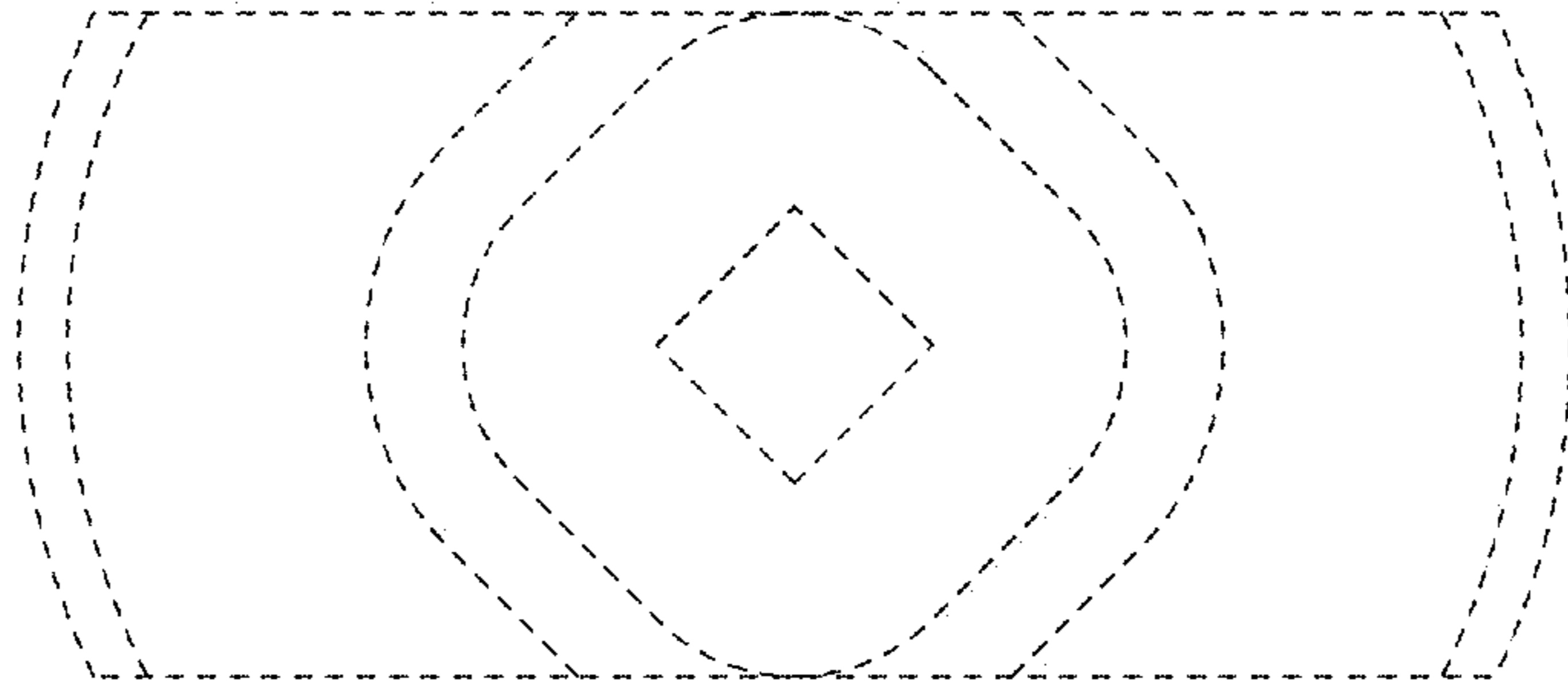


FIG. 6

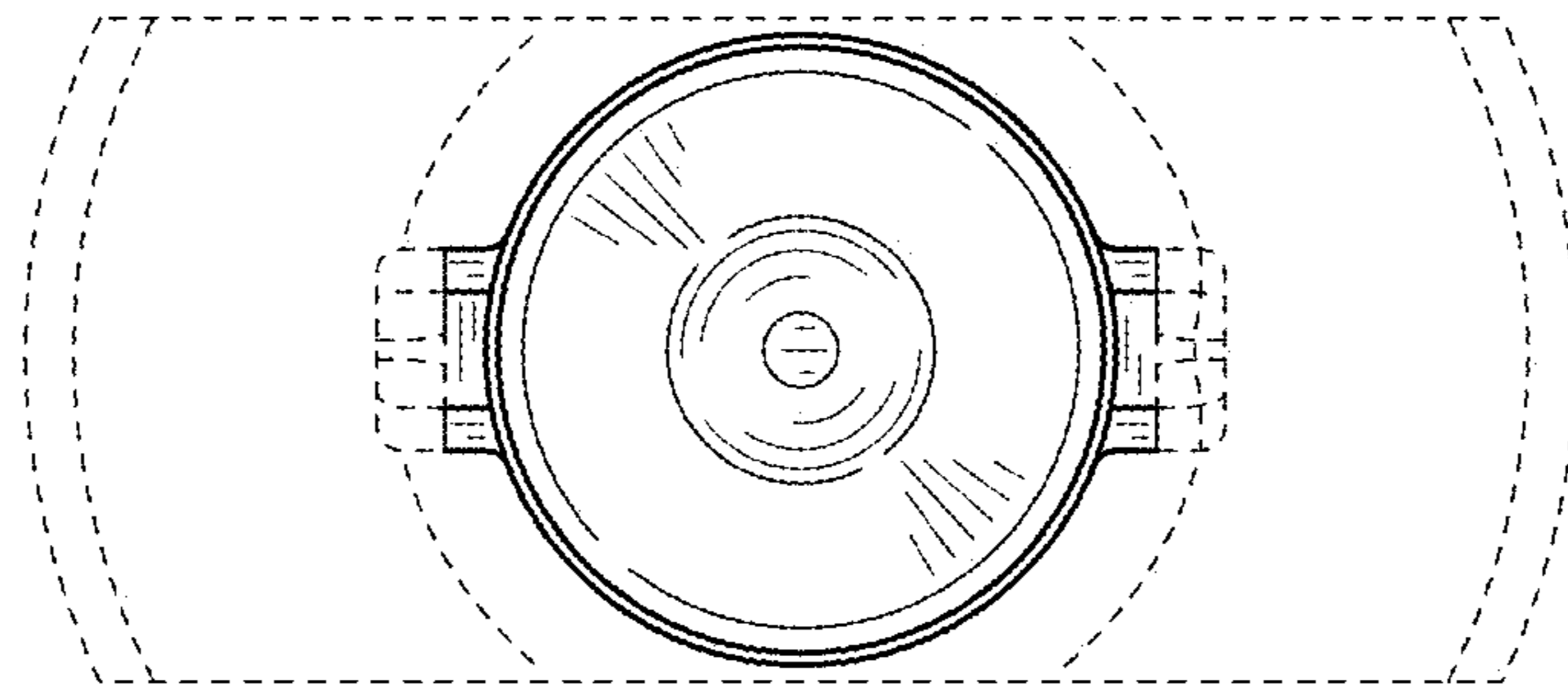


FIG. 7

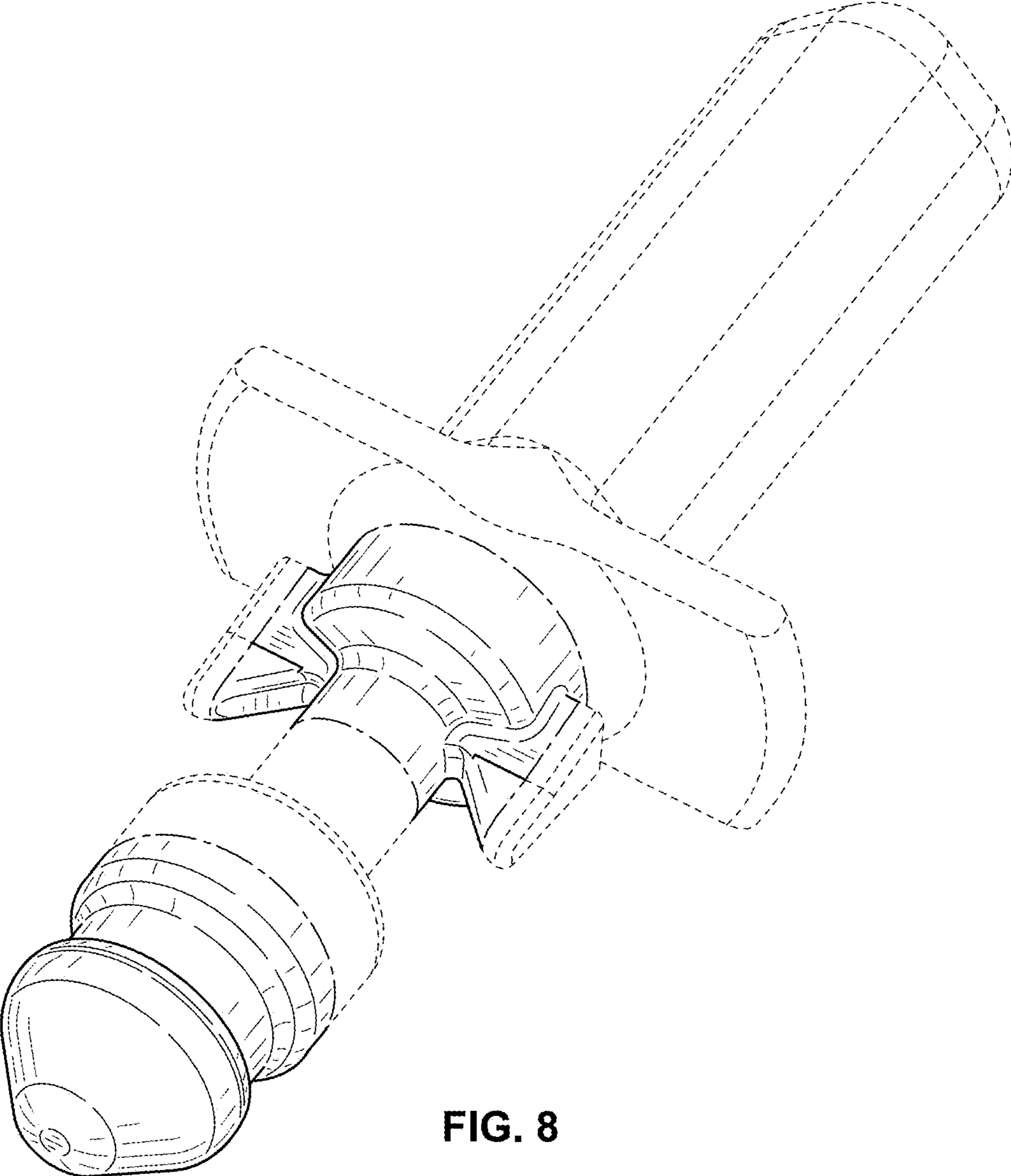


FIG. 8