



US00D889220S

(12) **United States Design Patent**
Amundson

(10) **Patent No.:** **US D889,220 S**

(45) **Date of Patent:** **** Jul. 7, 2020**

(54) **BEACH RAKE**

(71) Applicant: **Daniel Scott Amundson**, Winona, MN
(US)

(72) Inventor: **Daniel Scott Amundson**, Winona, MN
(US)

(**) Term: **15 Years**

(21) Appl. No.: **29/650,924**

(22) Filed: **Jun. 11, 2018**

(51) **LOC (12) Cl.** **08-01**

(52) **U.S. Cl.**
USPC **D8/13**

(58) **Field of Classification Search**
USPC D8/13; D30/158; D21/532
CPC ... A01D 7/10; A01D 7/00; A01D 7/02; A01D
51/00

See application file for complete search history.

(56) **References Cited**

U.S. PATENT DOCUMENTS

1,471,989	A *	10/1923	Weis	A01D 7/02 56/400.04
D133,489	S *	8/1942	Wurster	D8/6
2,726,504	A *	12/1955	Paluska	A01D 7/02 56/400.05
2,795,923	A *	6/1957	Kapuczin	A01D 7/02 56/400.05
3,146,831	A *	9/1964	McConnell	A01G 20/30 172/21
D232,907	S *	9/1974	Yankee	D8/13
5,012,872	A *	5/1991	Cohn	A01D 7/00 172/380
D500,943	S *	1/2005	Orozco	D8/13
D508,639	S *	8/2005	Long	D8/13
D599,631	S *	9/2009	Guadalupe	D8/1
D640,103	S *	6/2011	Paolini	D8/13

8,181,436	B1 *	5/2012	McMillan	A01D 7/08 16/426
D725,446	S *	3/2015	Zupan	D8/13
D801,765	S *	11/2017	Gibson	D8/13
D807,717	S *	1/2018	Tia	D8/13
D850,872	S *	6/2019	Roberts	D8/13

(Continued)

Primary Examiner — Sheryl Lane

(74) *Attorney, Agent, or Firm* — Atonio Papageorgiou,
Esq.; Meister Seelig & Fein LLP

(57) **CLAIM**

The ornamental design for beach rake, as shown and described.

DESCRIPTION

FIG. 1 is a perspective view of one side and the front of the beach rake in an open position according to my new design; FIG. 2 is a front view thereof; FIG. 3 is a back view thereof; FIG. 4 is a left side view thereof; FIG. 5 is a right side view thereof; FIG. 6 is a top view thereof; and FIG. 7 is a bottom view thereof.

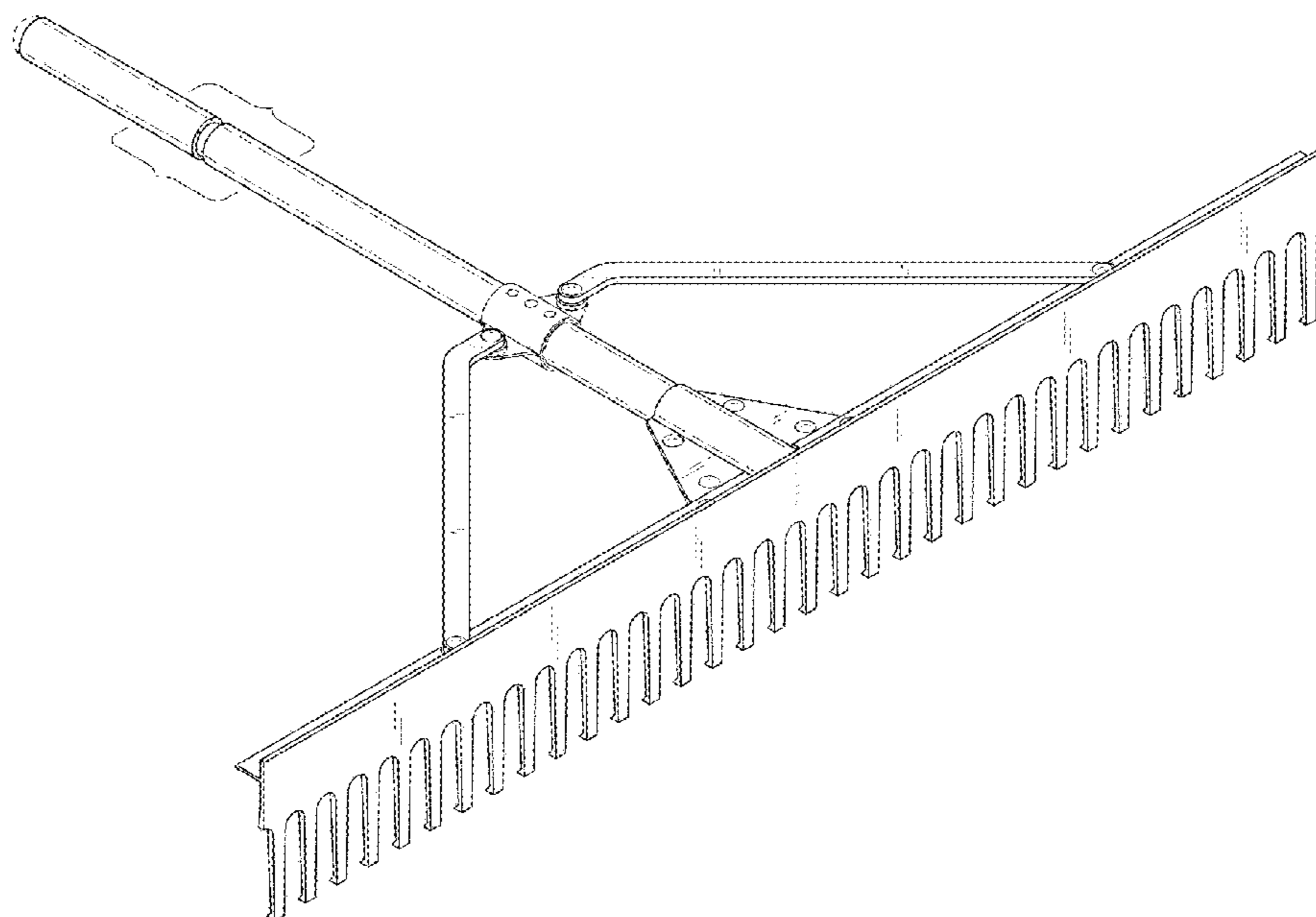
FIG. 8 is a perspective view of one side and the front of the beach rake in an alternate closed position according to my new design;

FIG. 9 is a front view thereof; FIG. 10 is a back view thereof; FIG. 11 is a left side view thereof; FIG. 12 is a right side view thereof; FIG. 13 is a top view thereof; and, FIG. 14 is a bottom view thereof.

The beach rake is shown with a symbolic break in the handle. The appearance of any portion of the article between the break lines forms no part of the claimed design.

The dashed lines shown in the drawings represent portions of the beach rake and form no part of the claimed design.

1 Claim, 14 Drawing Sheets



(56)

References Cited

U.S. PATENT DOCUMENTS

2010/0127521 A1* 5/2010 Thibault A01D 7/04
294/19.2
2010/0263346 A1* 10/2010 Westgarde A01D 7/00
56/400.04
2019/0045696 A1* 2/2019 Schoepner A01B 1/20
2019/0116727 A1* 4/2019 St. Michel A01D 11/06
2019/0224837 A1* 7/2019 Hoell, III B25G 1/102

* cited by examiner

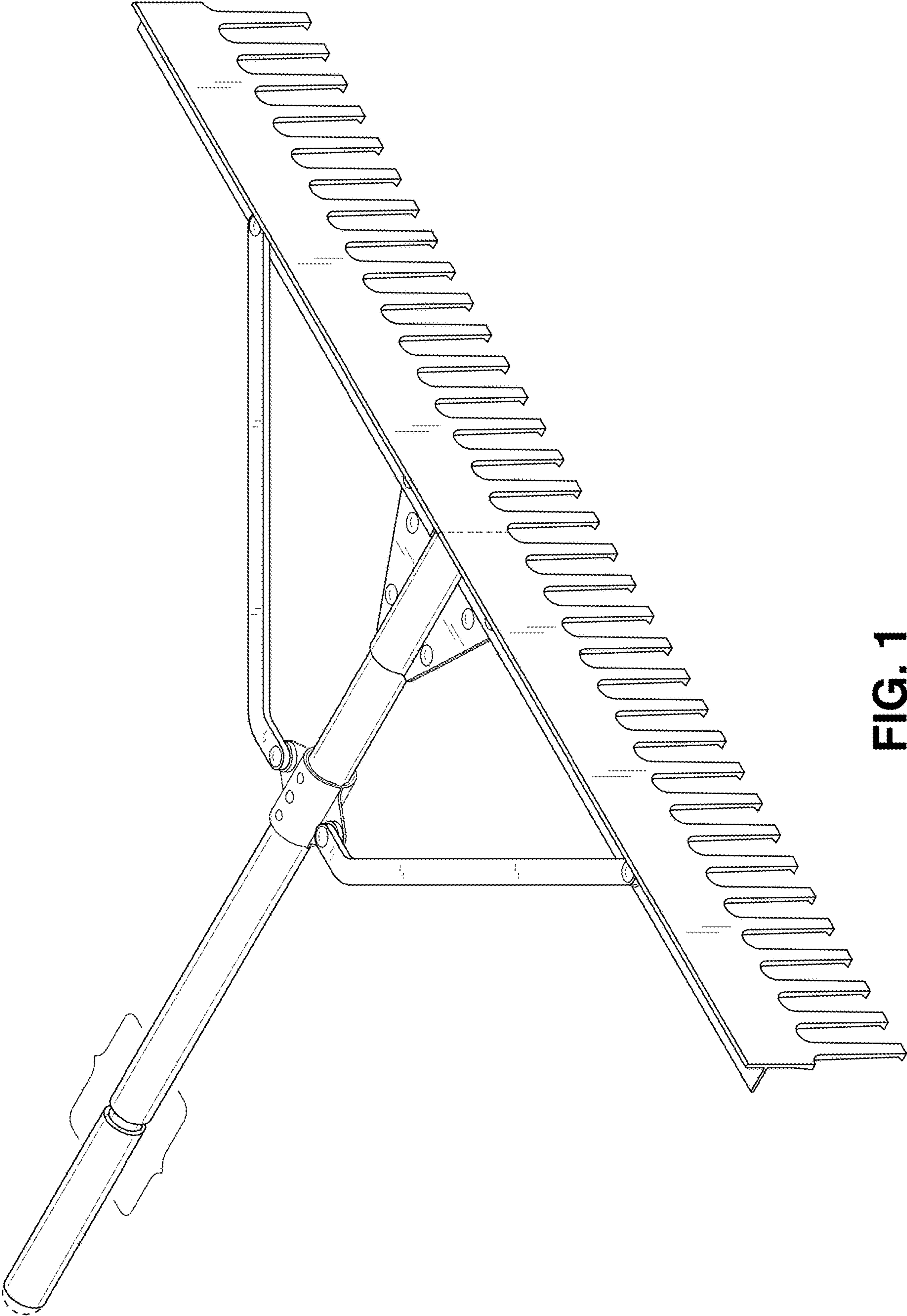


FIG. 1

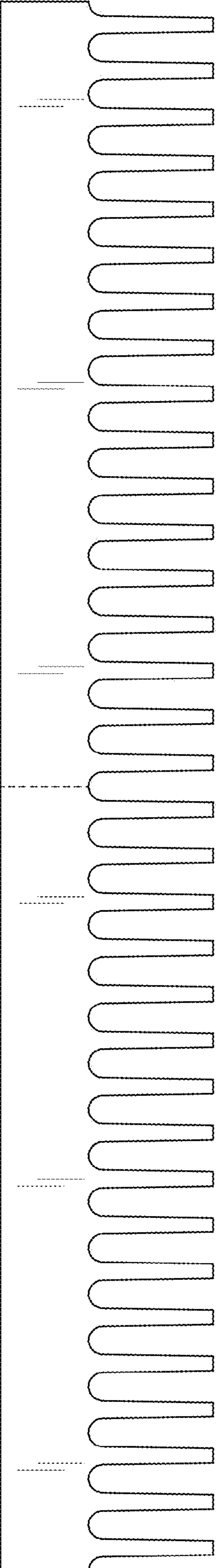


FIG. 2

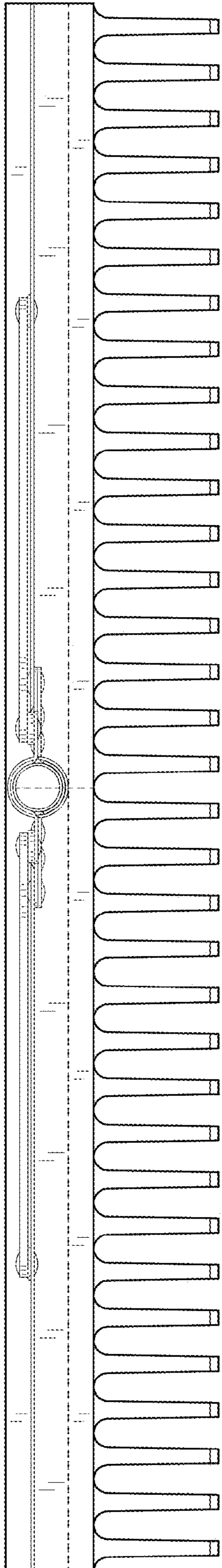


FIG. 3

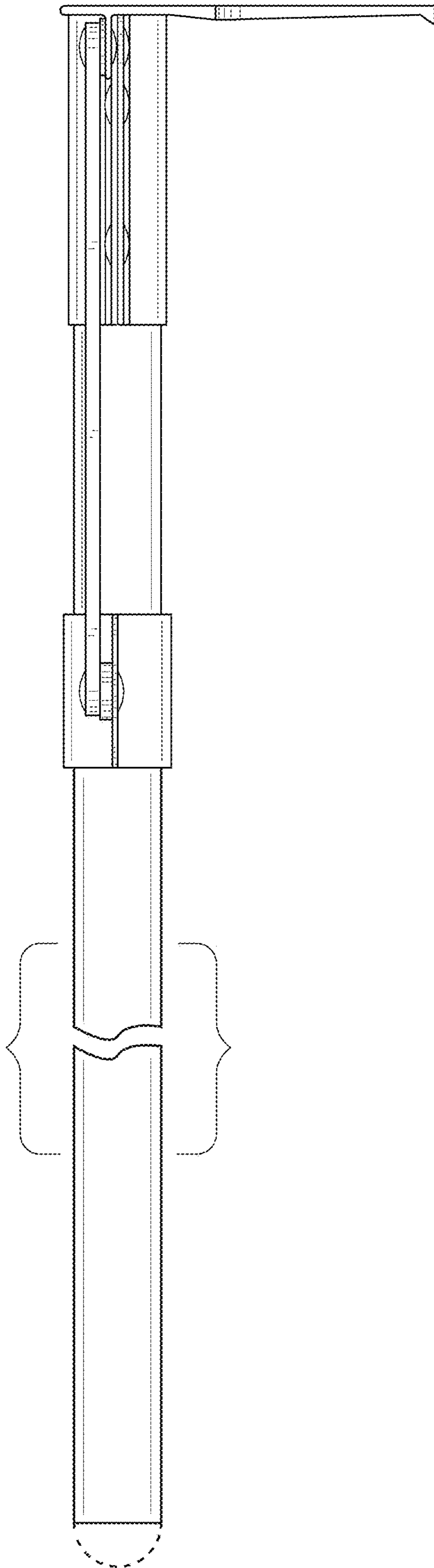


FIG. 4

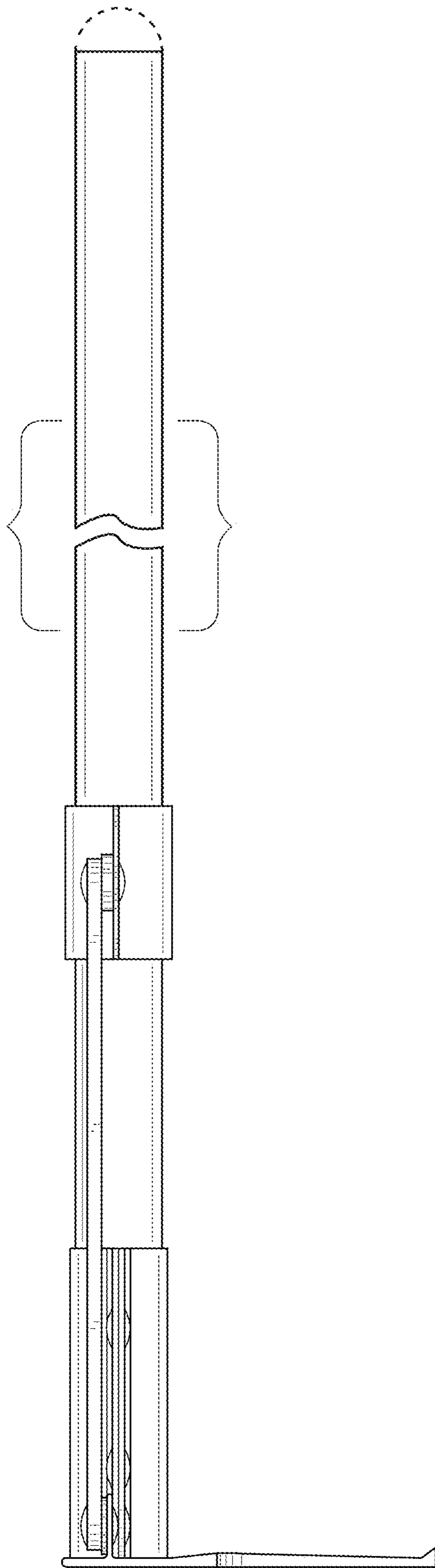


FIG. 5

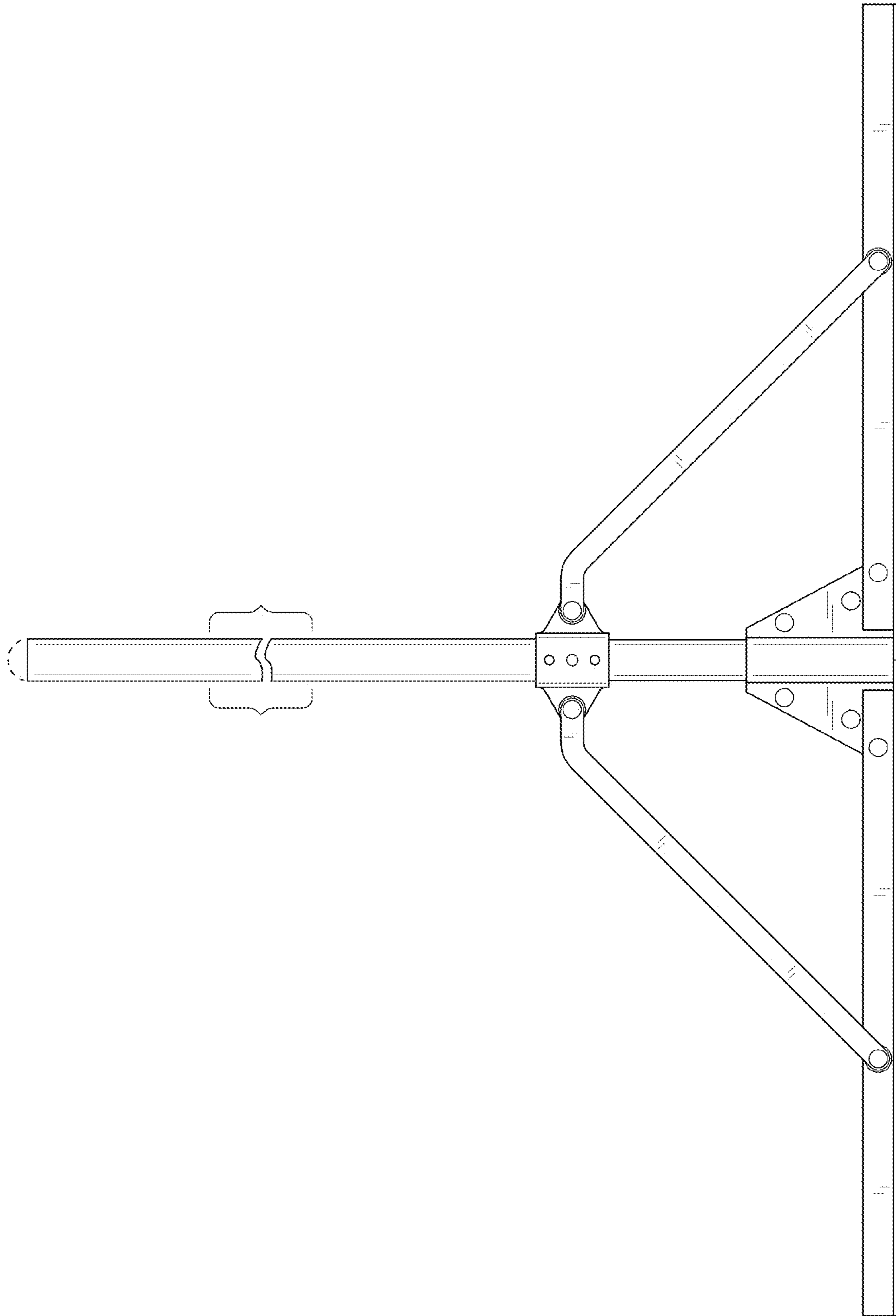


FIG. 6

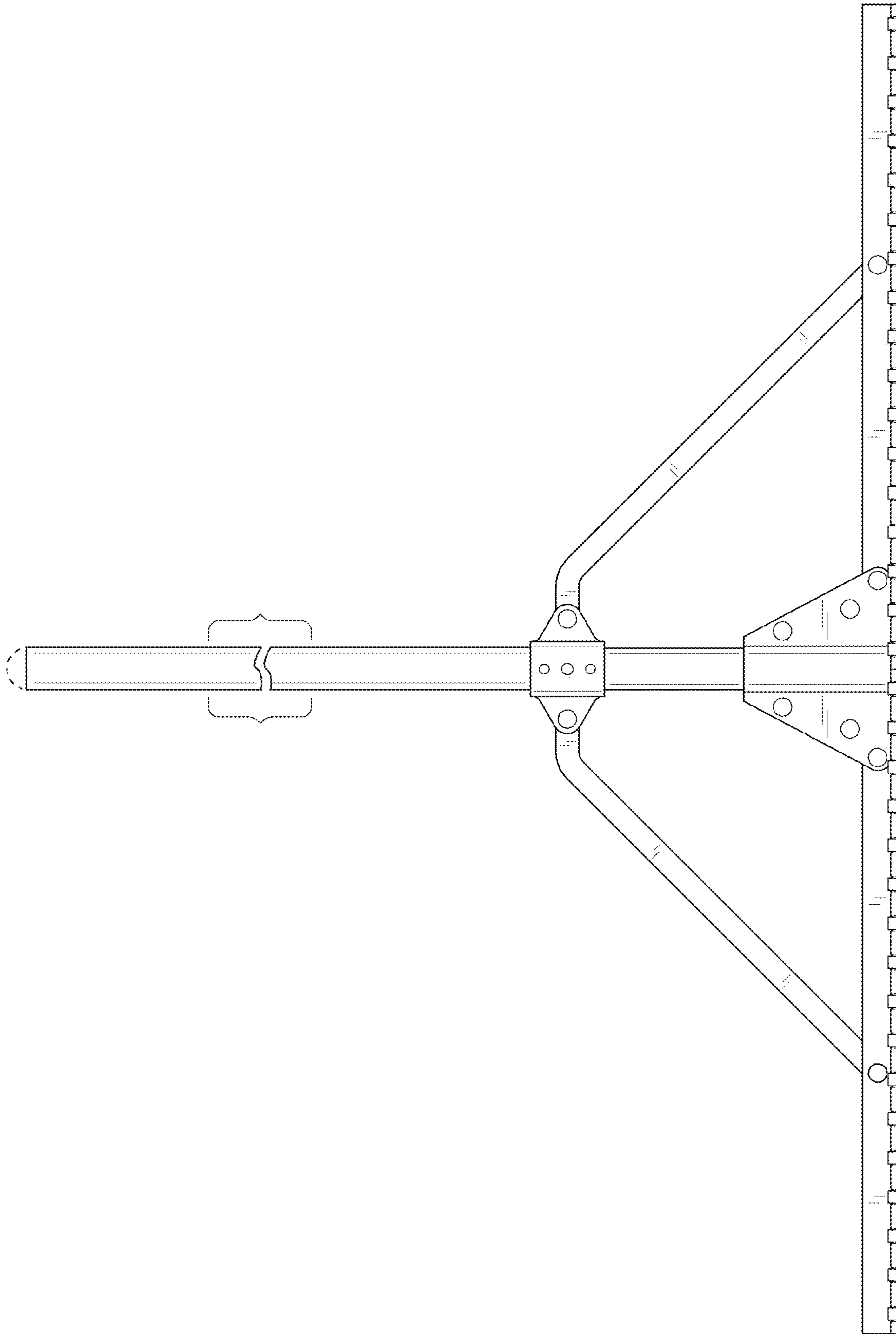


FIG. 7

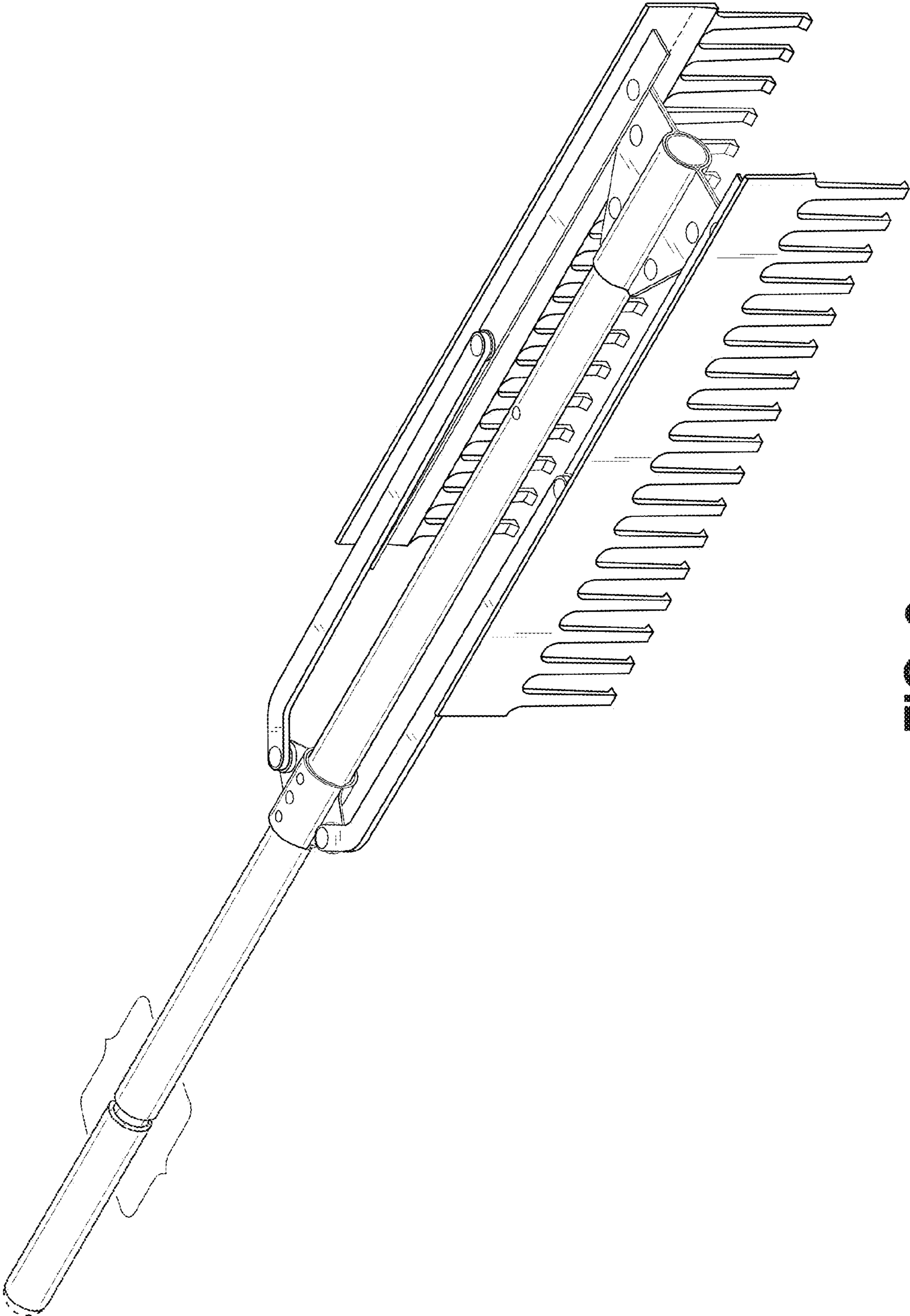


FIG. 8

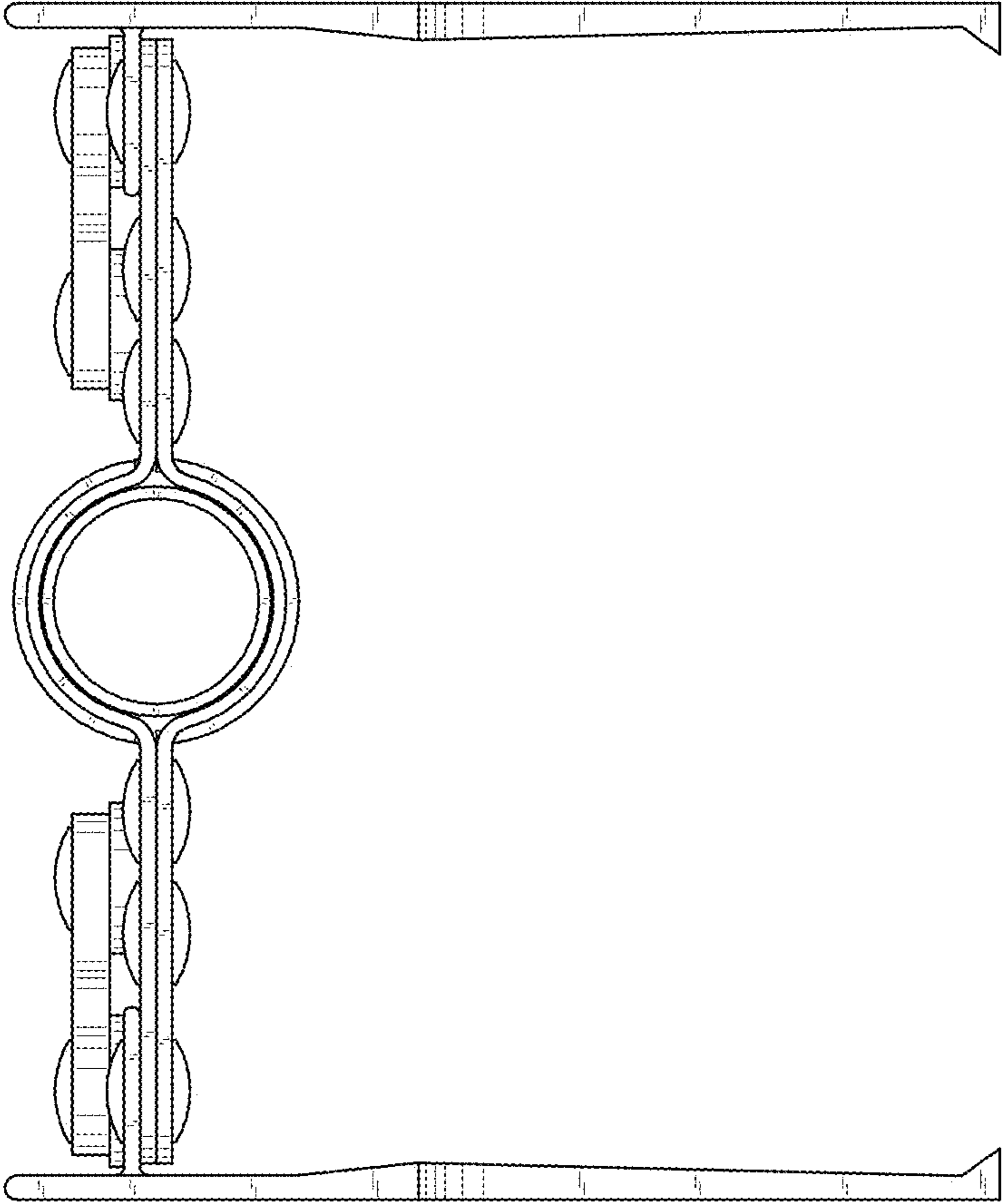


FIG. 9

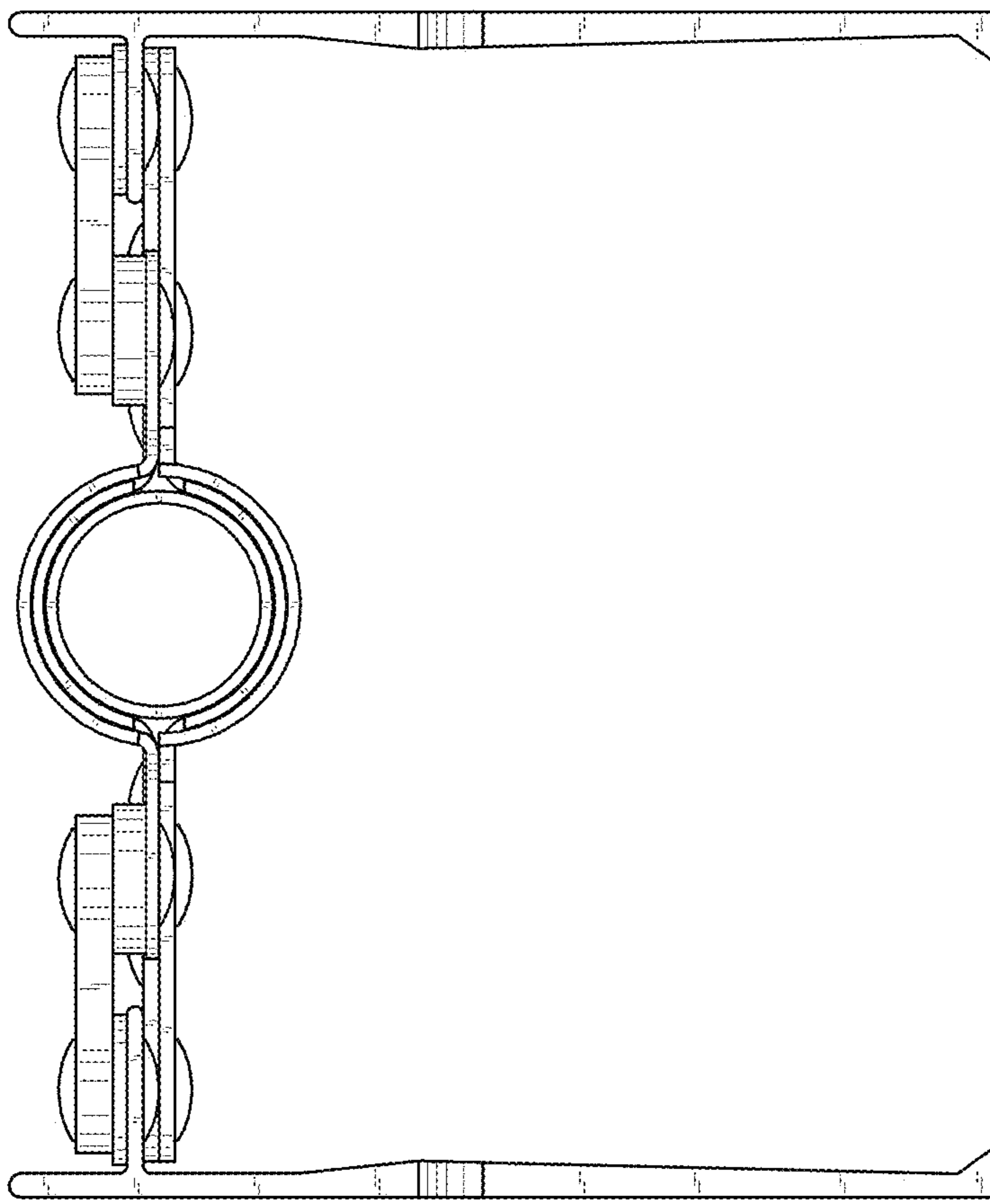


FIG. 10

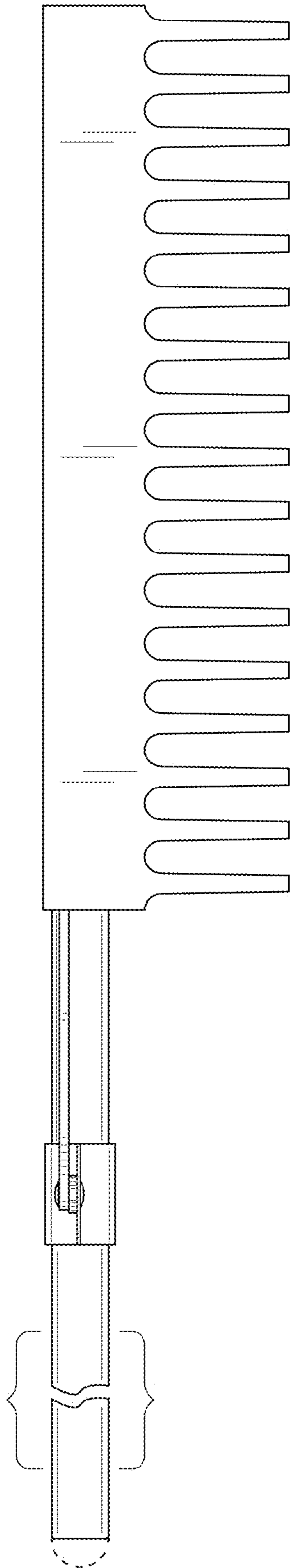


FIG. 11

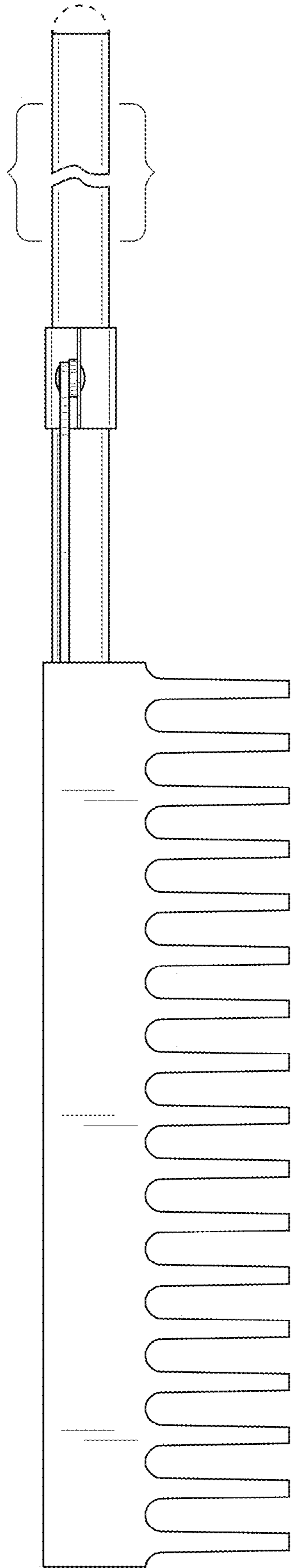


FIG. 12

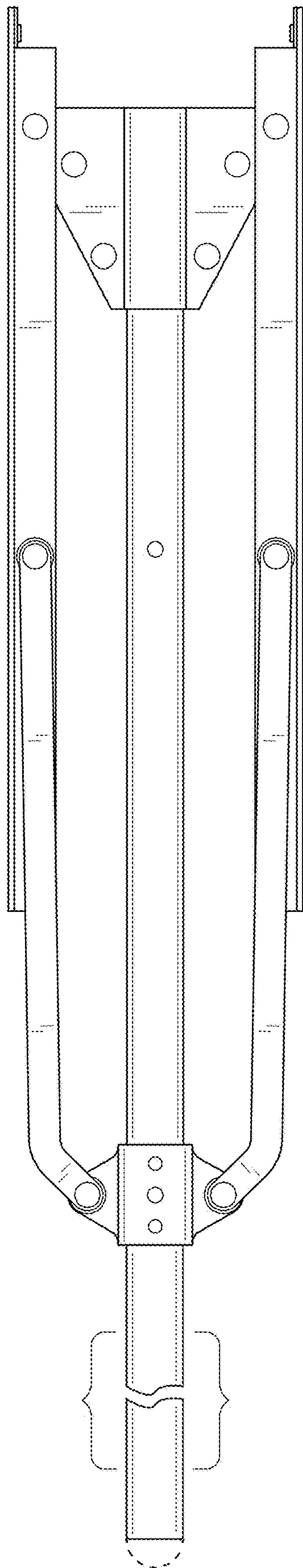


FIG. 13

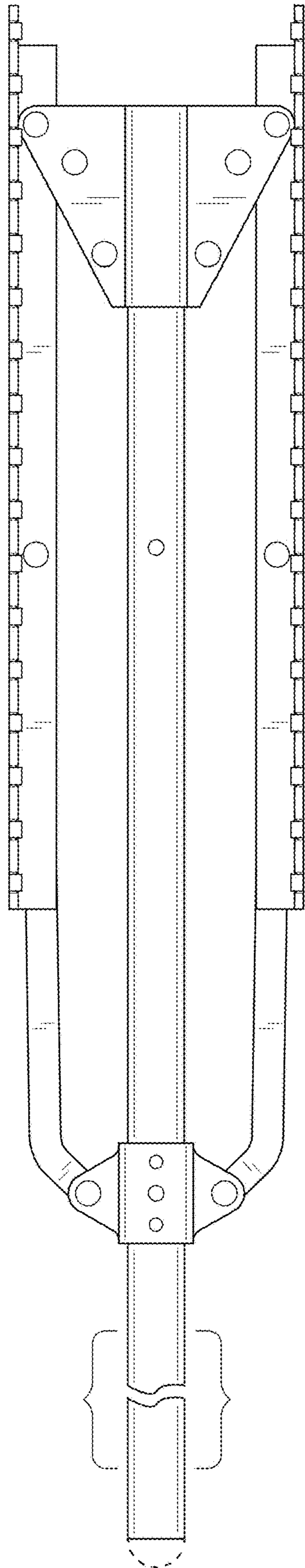


FIG. 14