



US00D889218S

(12) **United States Design Patent**
Wang et al.

(10) **Patent No.:** **US D889,218 S**
(45) **Date of Patent:** **** Jul. 7, 2020**

- (54) **RED WINE RACK**
- (71) Applicants: **Wei-Jun Wang**, Taipei (TW);
Ruei-Hong Hong, Taipei (TW);
Wen-Yi Chiu, Taipei (TW)
- (72) Inventors: **Wei-Jun Wang**, Taipei (TW);
Ruei-Hong Hong, Taipei (TW);
Wen-Yi Chiu, Taipei (TW)
- (73) Assignee: **COMPAL ELECTRONICS, INC.**,
Taipei (TW)

3,814,293 A * 6/1974 Daves B67D 3/043
222/173
3,860,048 A * 1/1975 White B67C 9/00
141/375
3,872,868 A * 3/1975 Kline A61J 1/05
604/403
5,865,324 A * 2/1999 Jay A47F 1/12
211/59.2
6,808,149 B1 * 10/2004 Sendowski A47K 5/13
211/75
D766,051 S * 9/2016 LaRiviere D7/701
2013/0162133 A1 * 6/2013 Arslankiray F25D 31/007
312/405

(**) Term: **15 Years**

* cited by examiner

(21) Appl. No.: **29/662,634**

Primary Examiner — Terry A Wallace

(22) Filed: **Sep. 7, 2018**

(74) *Attorney, Agent, or Firm* — JCIPRNET

(30) **Foreign Application Priority Data**

(57) **CLAIM**

Mar. 9, 2018 (CN) 2018 3 0087079

The ornamental design for a red wine rack, as shown and described.

(51) **LOC (12) Cl.** **06-04**

(52) **U.S. Cl.**
USPC **D7/701**

DESCRIPTION

(58) **Field of Classification Search**
USPC D7/701-708, 600.1-600.4; D6/571, 569,
D6/553, 675.4, 677.4, 678.3, 680.2,
D6/682-682.2
CPC ... B67D 3/043; B67C 9/00; B01L 9/06; A47J
47/16; A47B 88/20; A47B 73/004; A47K
5/13; F25D 31/007; A61J 1/16; A61J
1/05; A47F 3/12; A47F 3/00; A47F 1/12
See application file for complete search history.

FIG. 1 is a perspective view of a red wine rack showing our new design;
FIG. 2 is a front view thereof;
FIG. 3 is a rear view thereof;
FIG. 4 is a left side view thereof;
FIG. 5 is a right side view thereof;
FIG. 6 is a top view thereof;
FIG. 7 is a bottom view thereof; and,
FIG. 8 is a perspective view thereof showing the red wine bottle is placed on the red wine rack.

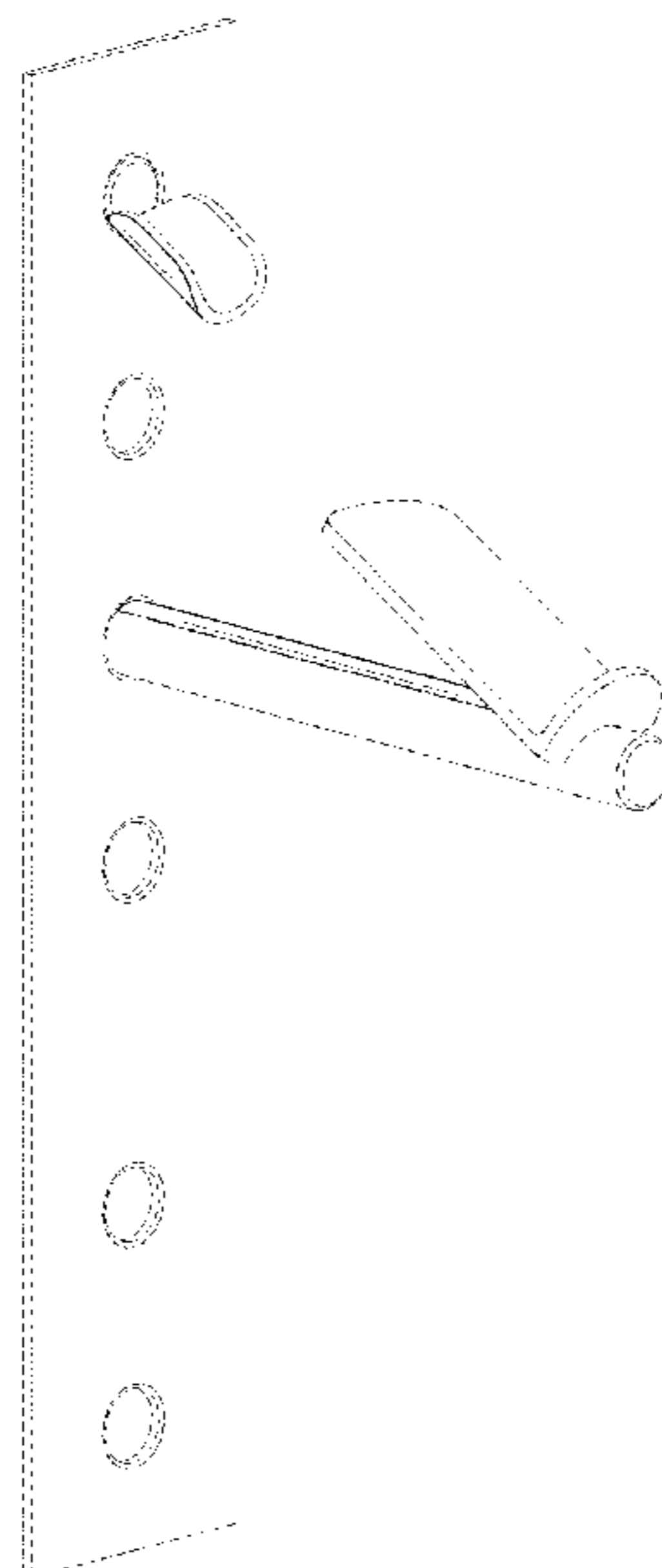
(56) **References Cited**

U.S. PATENT DOCUMENTS

1,951,617 A * 3/1934 Kress A47F 3/12
211/90.04
3,286,849 A * 11/1966 Dominos B67C 9/00
211/74

The dashed broken lines illustrate portions of the red wine rack and form no part of the claimed design. The dot-dash broken lines define the bounds of the claimed design and form no part thereof.

1 Claim, 7 Drawing Sheets



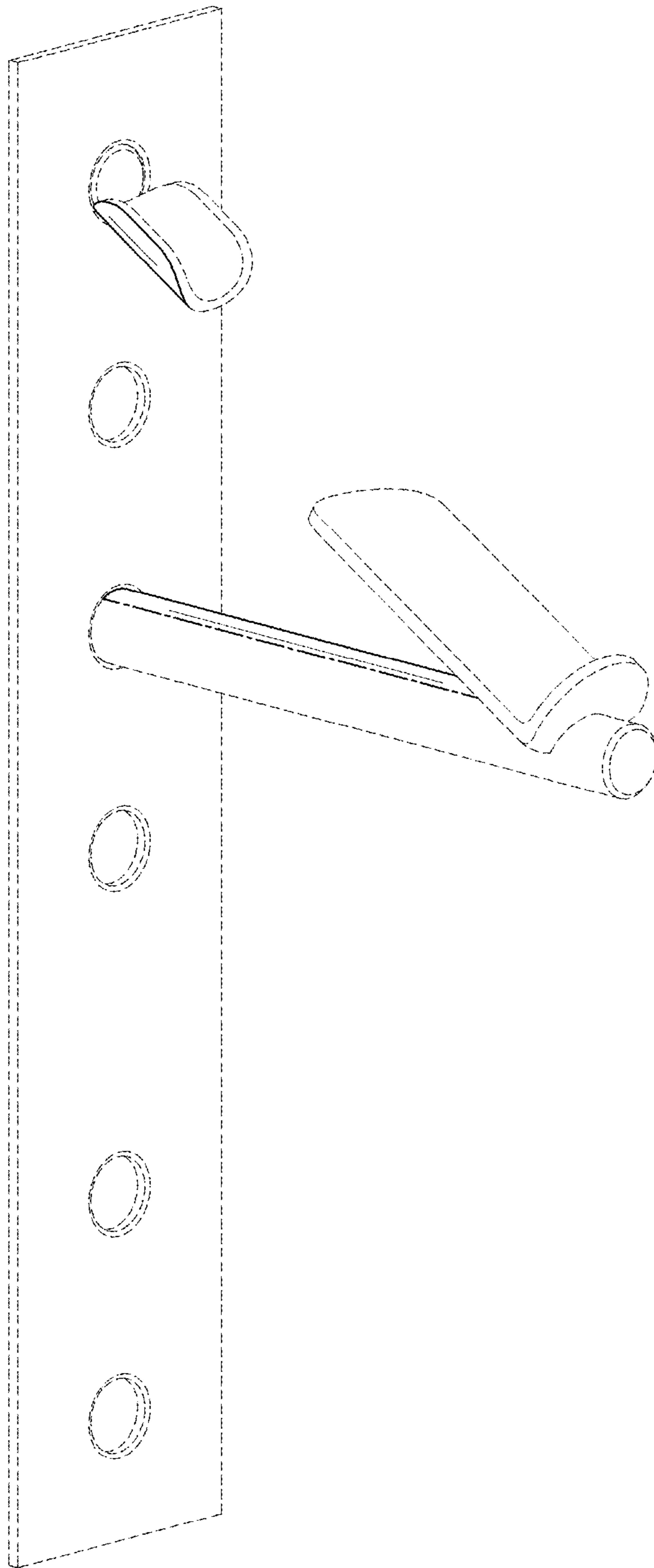


FIG. 1

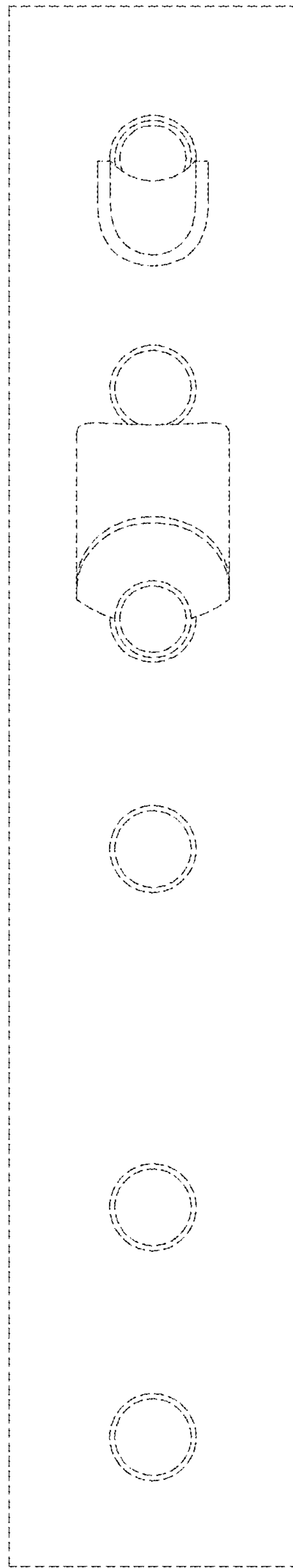


FIG. 2

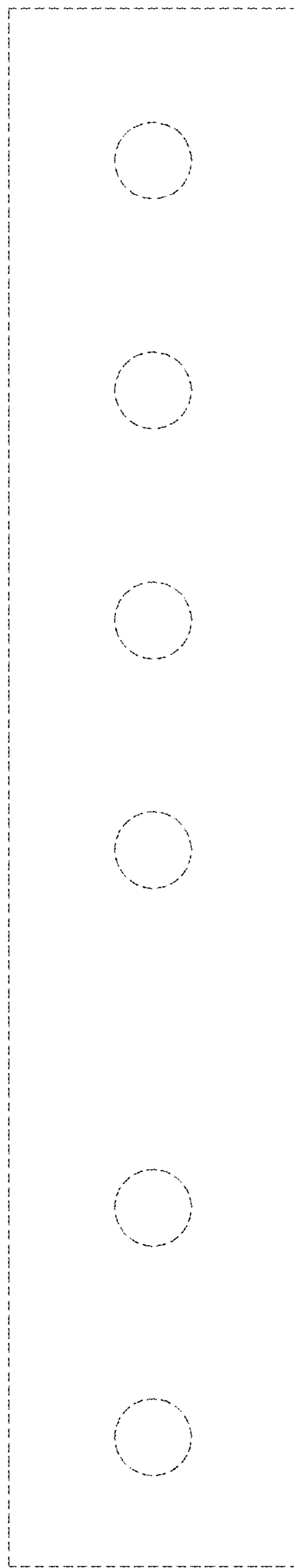


FIG. 3

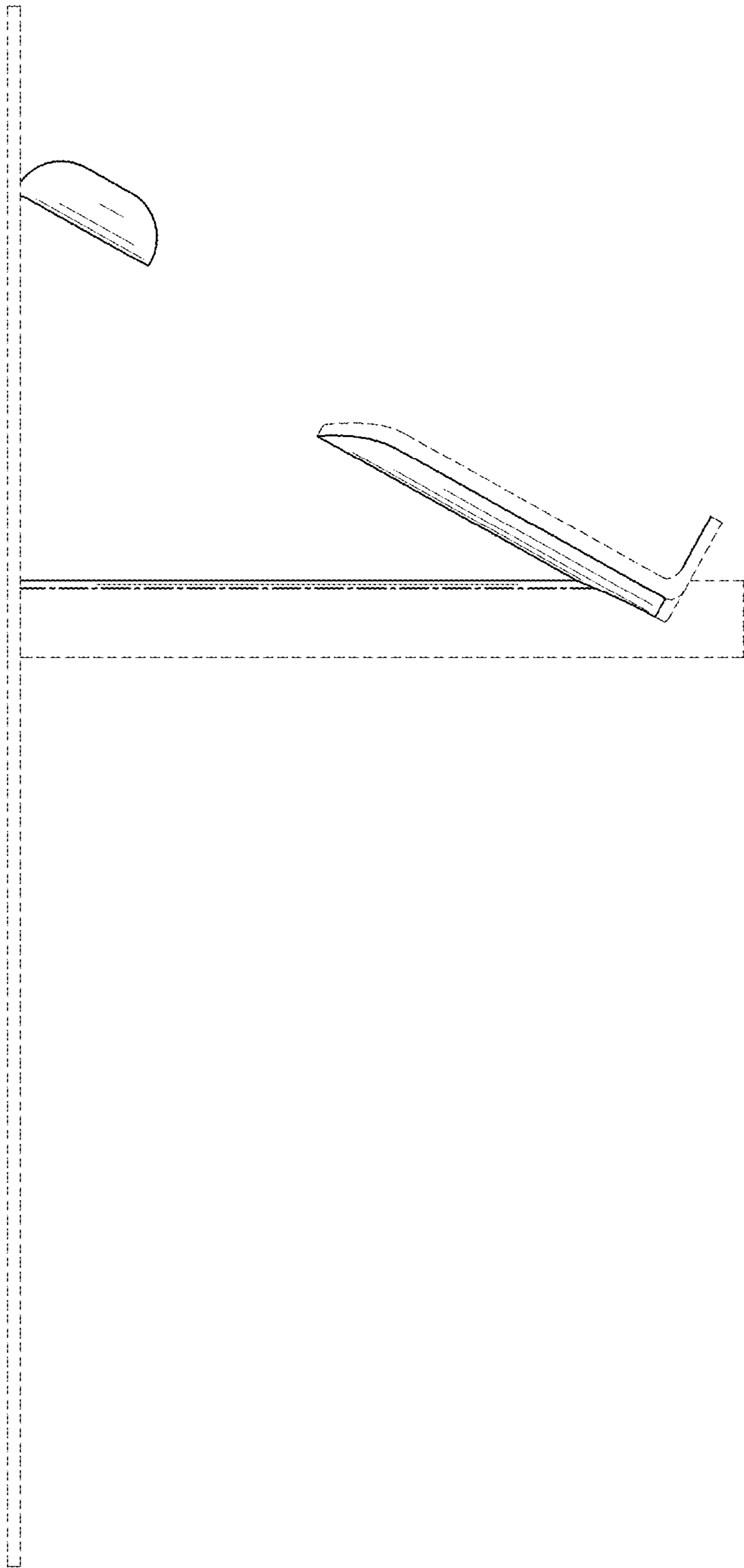


FIG. 4

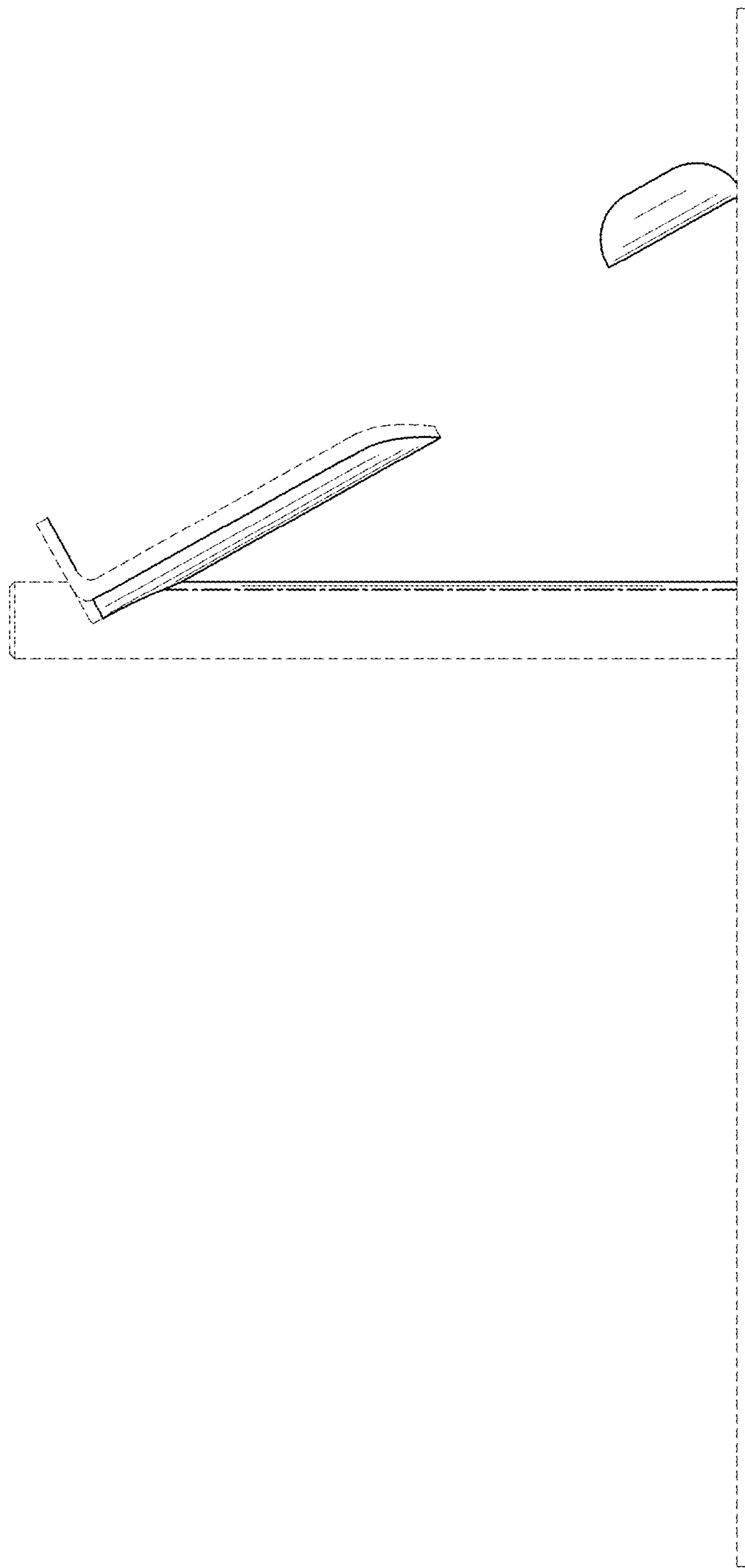


FIG. 5

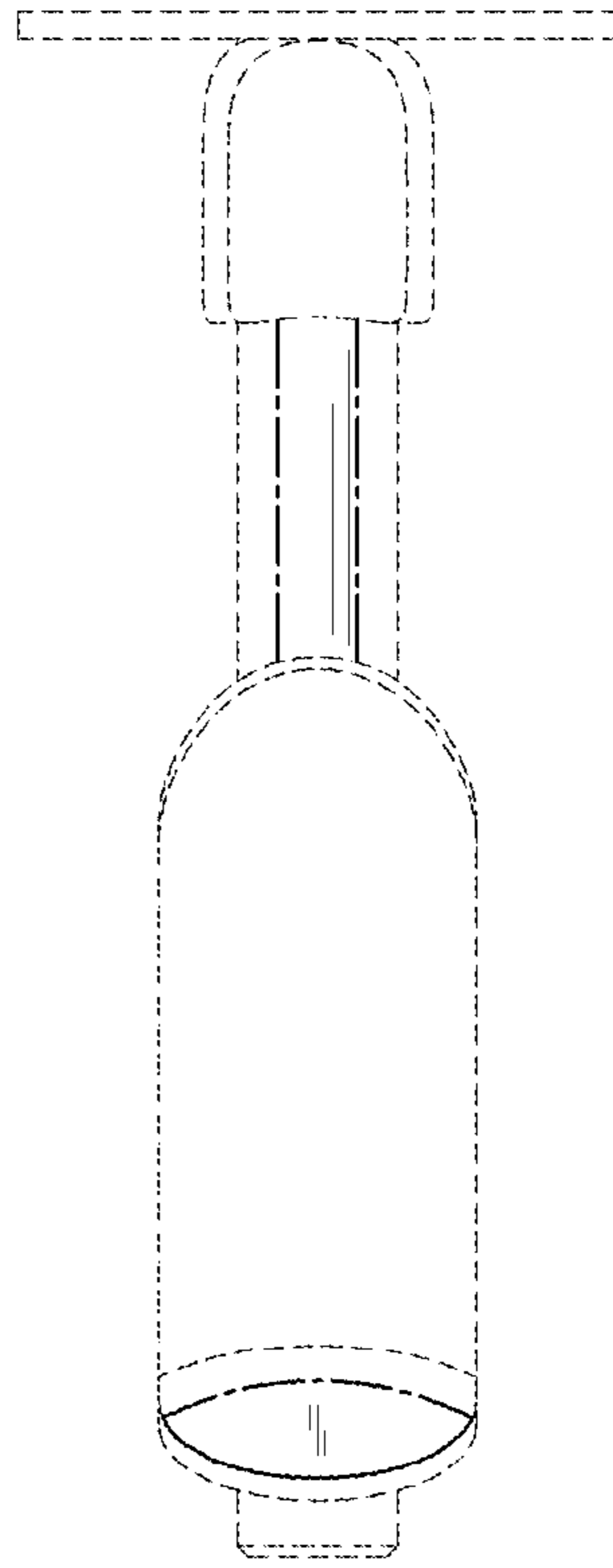


FIG. 6

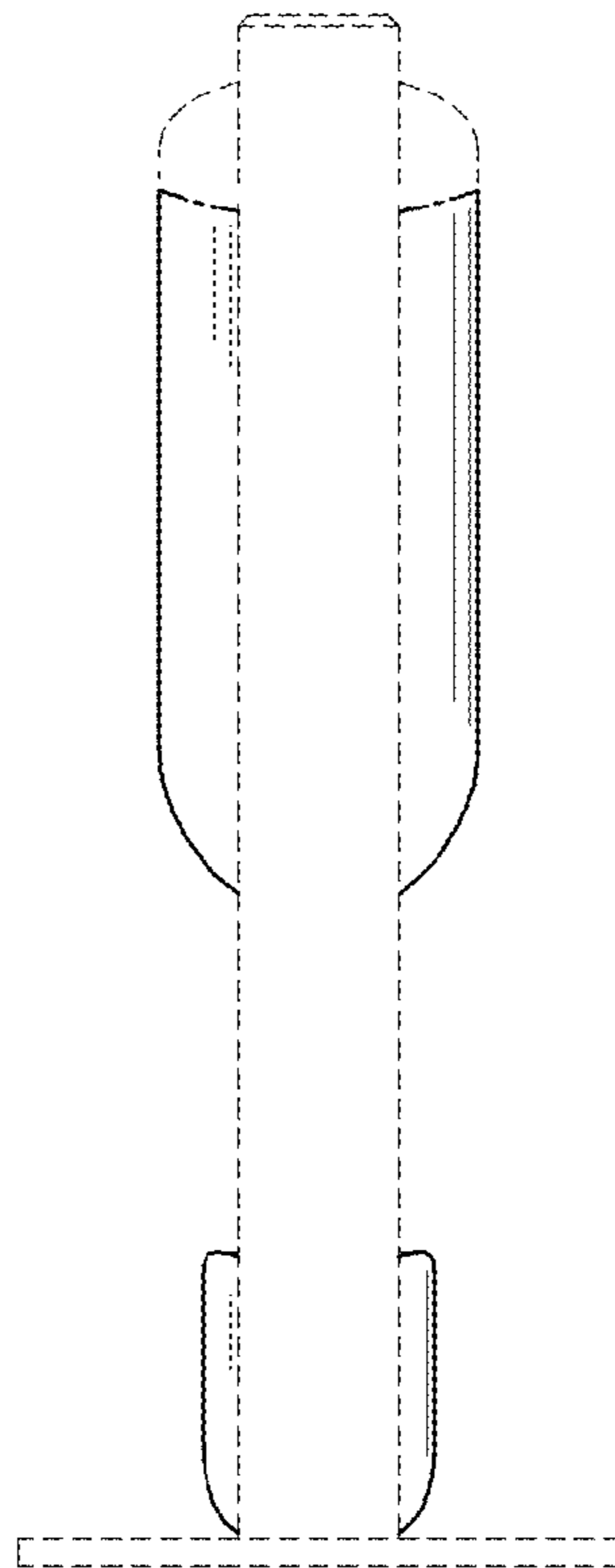


FIG. 7

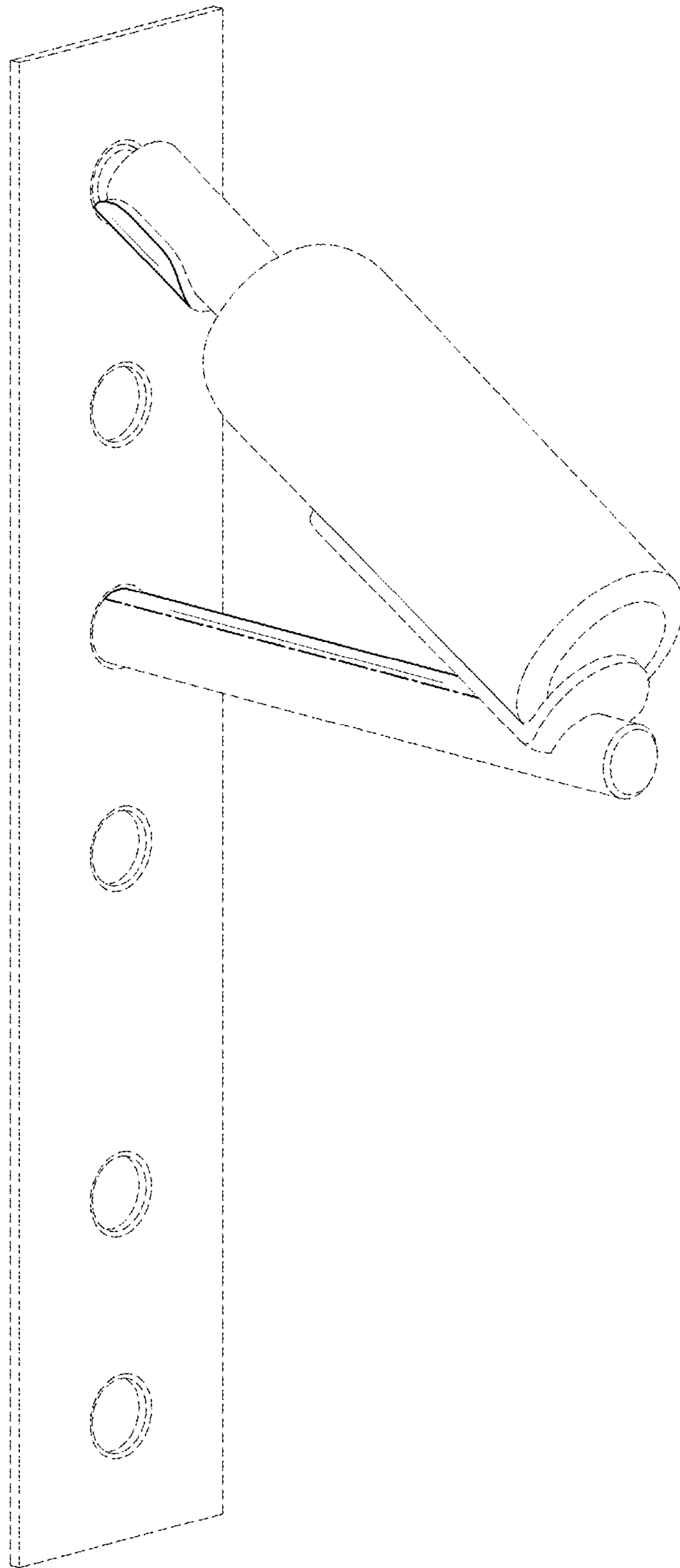


FIG. 8