



US00D889217S

(12) **United States Design Patent**
Klipshtein

(10) **Patent No.:** **US D889,217 S**

(45) **Date of Patent:** **** Jul. 7, 2020**

(54) **COOKIE CUTTER**

(71) Applicant: **Hutzler Manufacturing Co., Inc.**,
Canaan, CT (US)

(72) Inventor: **Guy Klipshtein**, Givatayim (IL)

(73) Assignee: **Hutzler Manufacturing Co., Inc.**,
Canaan, CT (US)

(**) Term: **15 Years**

(21) Appl. No.: **29/676,003**

(22) Filed: **Jan. 7, 2019**

(51) **LOC (12) Cl.** **07-04**

(52) **U.S. Cl.**
USPC **D7/675**

(58) **Field of Classification Search**
USPC D7/672-677, 669, 381, 698, 693, 412,
D7/368; 30/114, 303
CPC B26B 29/06; B26B 29/063; B26B 3/04;
B26B 5/008; B26D 3/185; B26D 3/24;
B26D 3/26; B26D 1/553; A21C 15/04;
A21C 11/106; A21C 11/22
See application file for complete search history.

(56) **References Cited**

U.S. PATENT DOCUMENTS

D154,313 S *	6/1949	Price	D7/676
D305,594 S *	1/1990	Saliba	D7/673
5,303,473 A *	4/1994	Sadler	A21C 11/106
				30/128
D524,122 S *	7/2006	Johnson	D7/675
D581,224 S *	11/2008	Vendl	D7/675
D587,074 S *	2/2009	Casarta	D7/675
D658,950 S *	5/2012	Plank	D7/675
D688,534 S *	8/2013	Altounian	D7/675
D692,733 S *	11/2013	Krus	D7/675
D715,107 S *	10/2014	Moreno	D7/675
D763,651 S *	8/2016	Shropshire	D7/675

(Continued)

Primary Examiner — Brett Miller

(74) *Attorney, Agent, or Firm* — Patent Technologies,
LLC; Robert D. Gunderman, Jr.

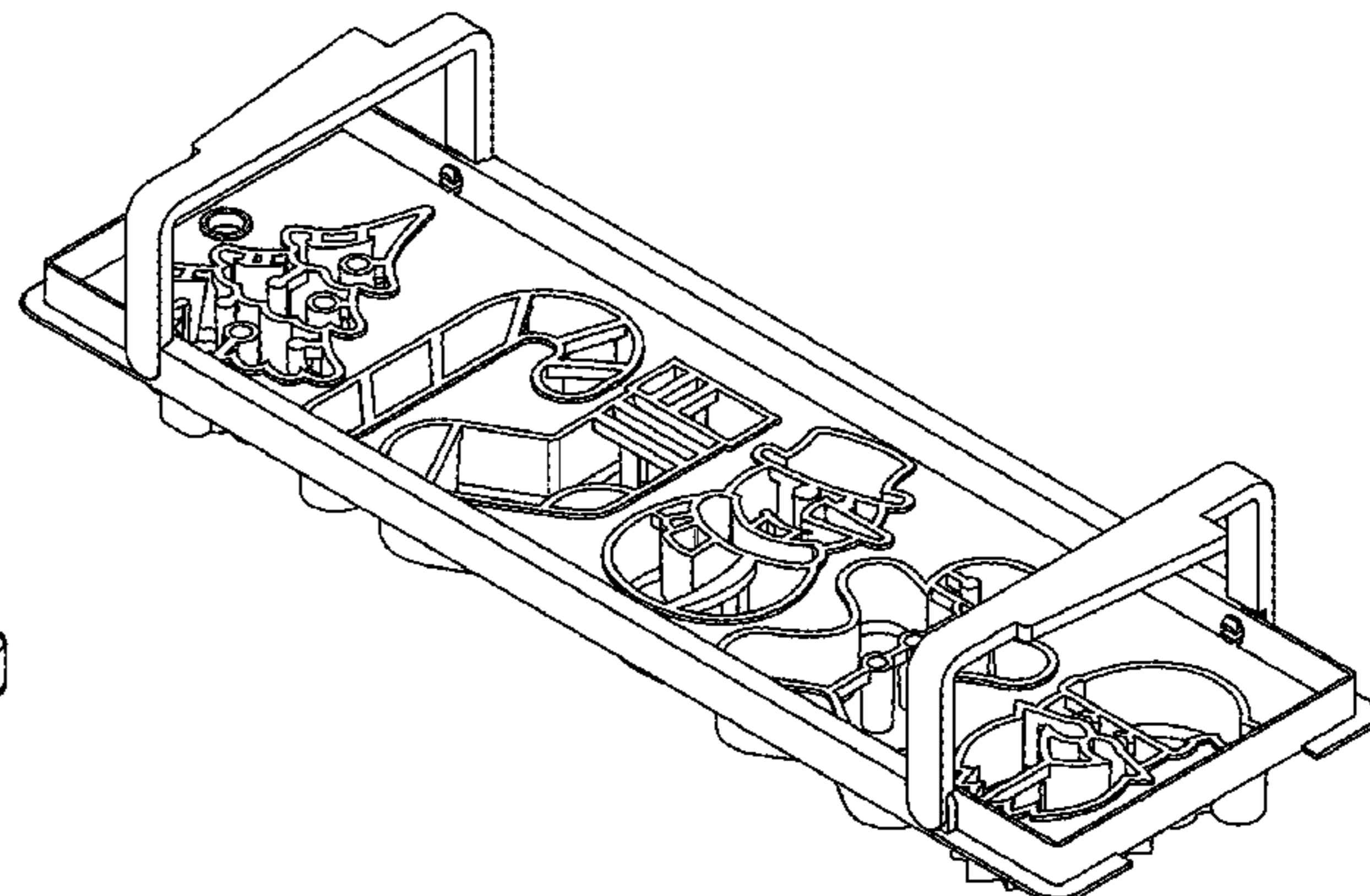
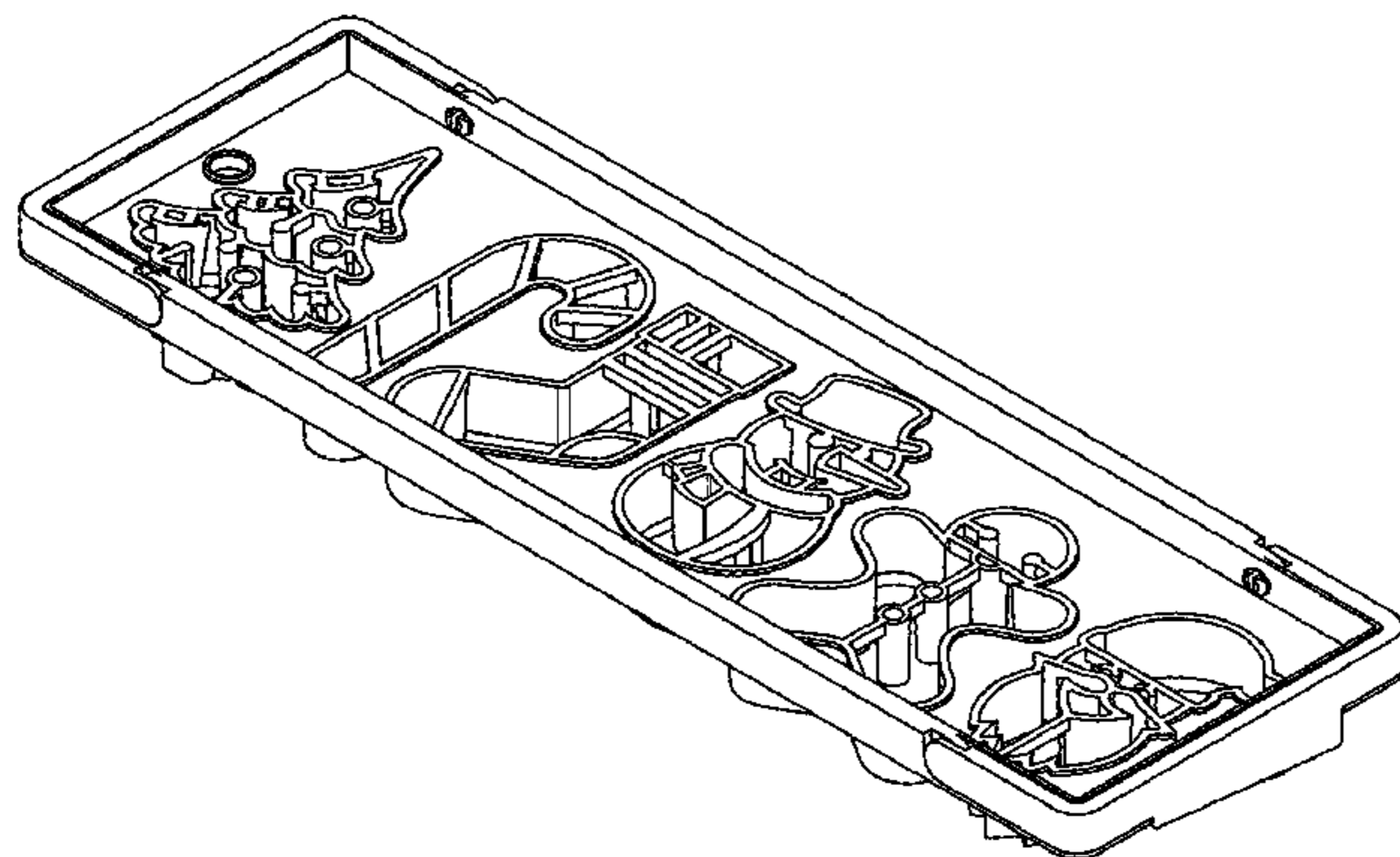
(57) **CLAIM**

The ornamental design for a cookie cutter, as shown and described.

DESCRIPTION

FIG. 1 is a top perspective view of a cookie cutter showing my new design;
 FIG. 2 is a bottom perspective view of the cookie cutter of FIG. 1;
 FIG. 3 is a top plan view of the cookie cutter of FIG. 1;
 FIG. 4 is a bottom plan view of the cookie cutter of FIG. 1;
 FIG. 5 is a side plan view of the cookie cutter of FIG. 1;
 FIG. 6 is an alternate side plan view of the cookie cutter of FIG. 1;
 FIG. 7 is an end plan view of the cookie cutter of FIG. 1;
 FIG. 8 is an alternate end plan view of the cookie cutter of FIG. 1;
 FIG. 9 is a top perspective view of the cookie cutter of FIG. 1 with handles extended;
 FIG. 10 is a bottom perspective view of the cookie cutter of FIG. 1 with handles extended;
 FIG. 11 is a top plan view of the cookie cutter of FIG. 1 with handles extended;
 FIG. 12 is a bottom plan view of the cookie cutter of FIG. 1 with handles extended;
 FIG. 13 is a side plan view of the cookie cutter of FIG. 1 with handles extended;
 FIG. 14 is an alternate side plan view of the cookie cutter of FIG. 1 with handles extended;
 FIG. 15 is an end plan view of the cookie cutter of FIG. 1 with handles extended; and,
 FIG. 16 is an alternate end plan view of the cookie cutter of FIG. 1 with handles extended.

1 Claim, 16 Drawing Sheets



(56)

References Cited

U.S. PATENT DOCUMENTS

D843,793 S * 3/2019 Levine D7/675
2005/0132579 A1 * 6/2005 Sartori A21C 11/106
30/299

* cited by examiner

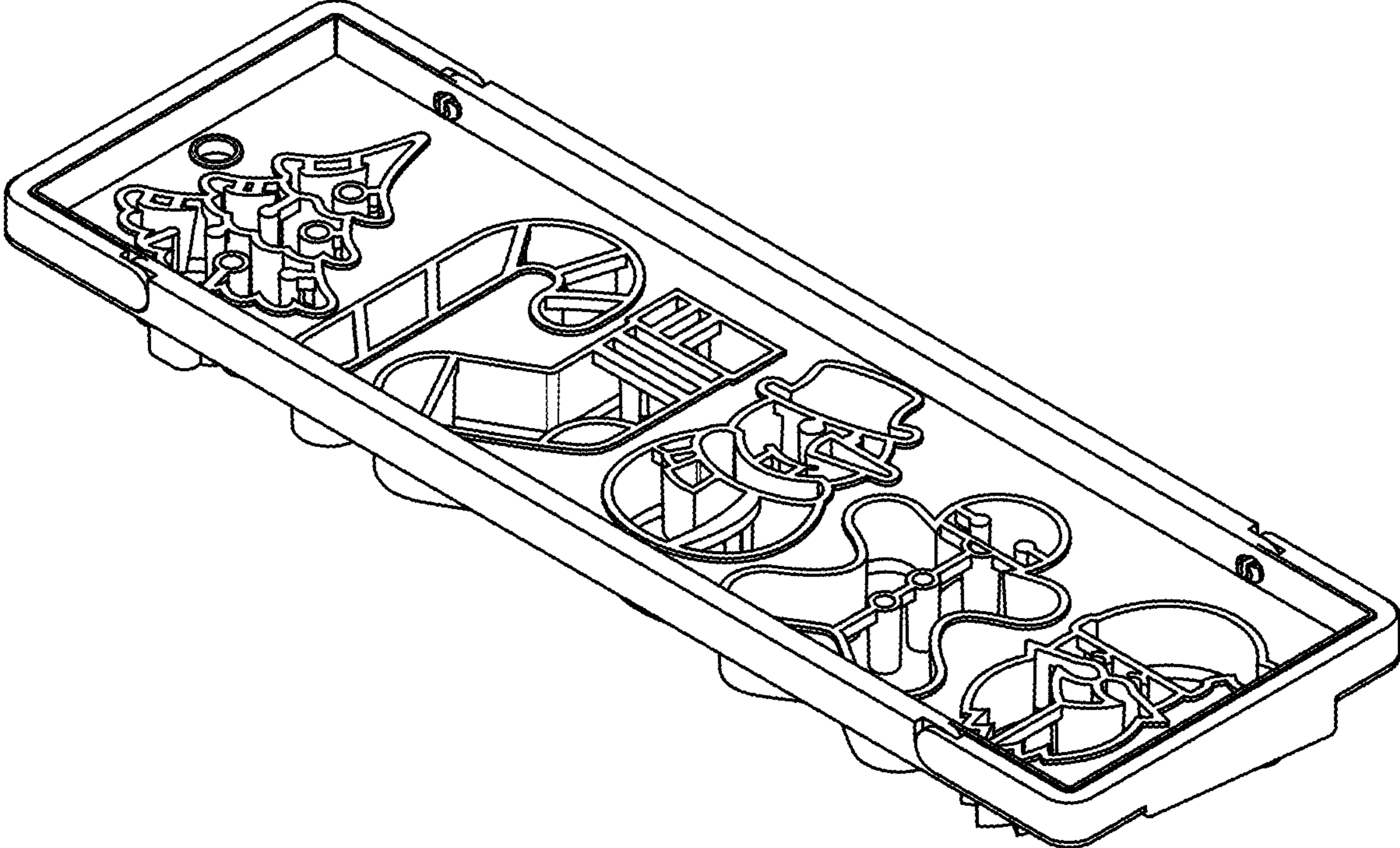


Fig. 1

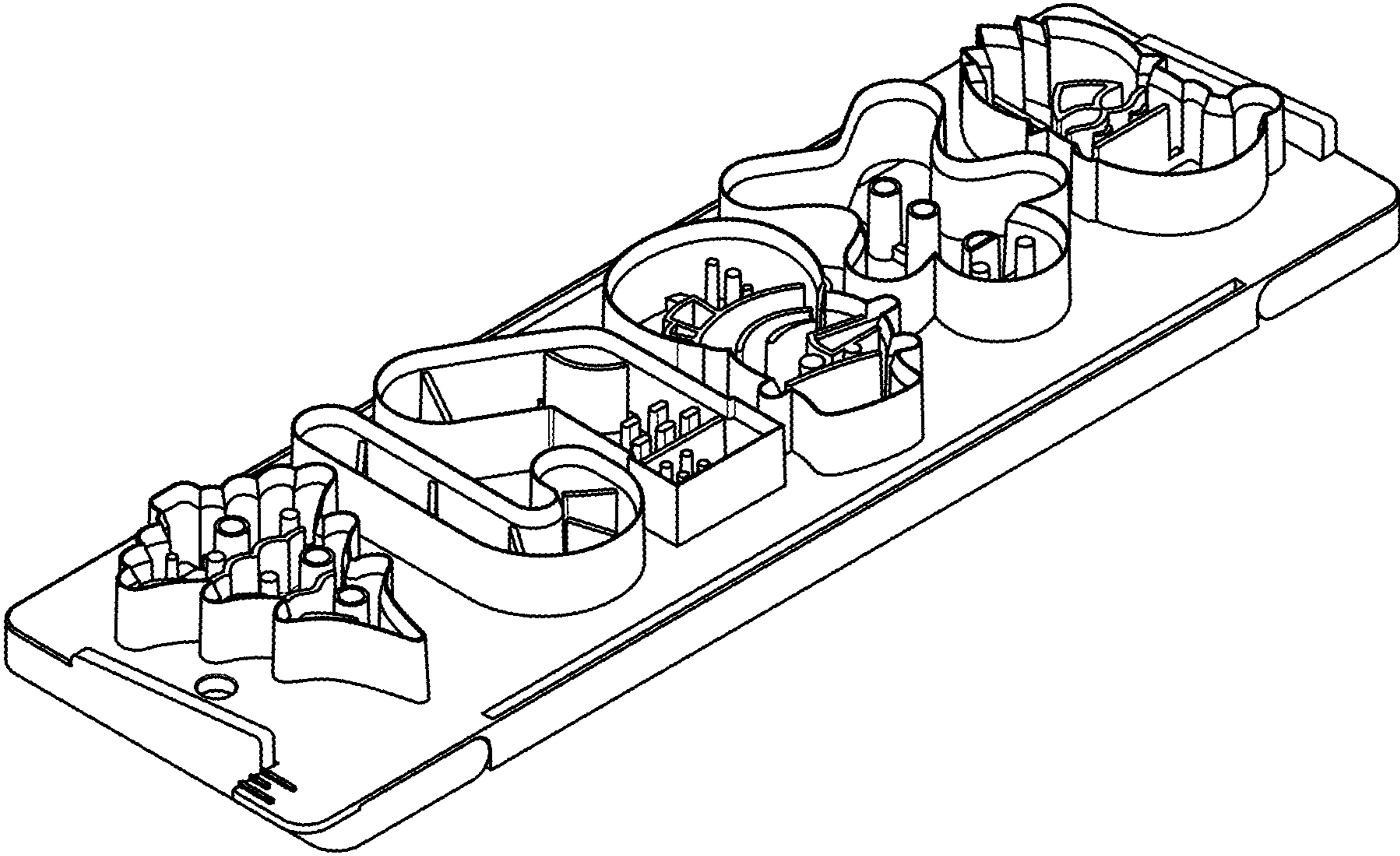


Fig. 2

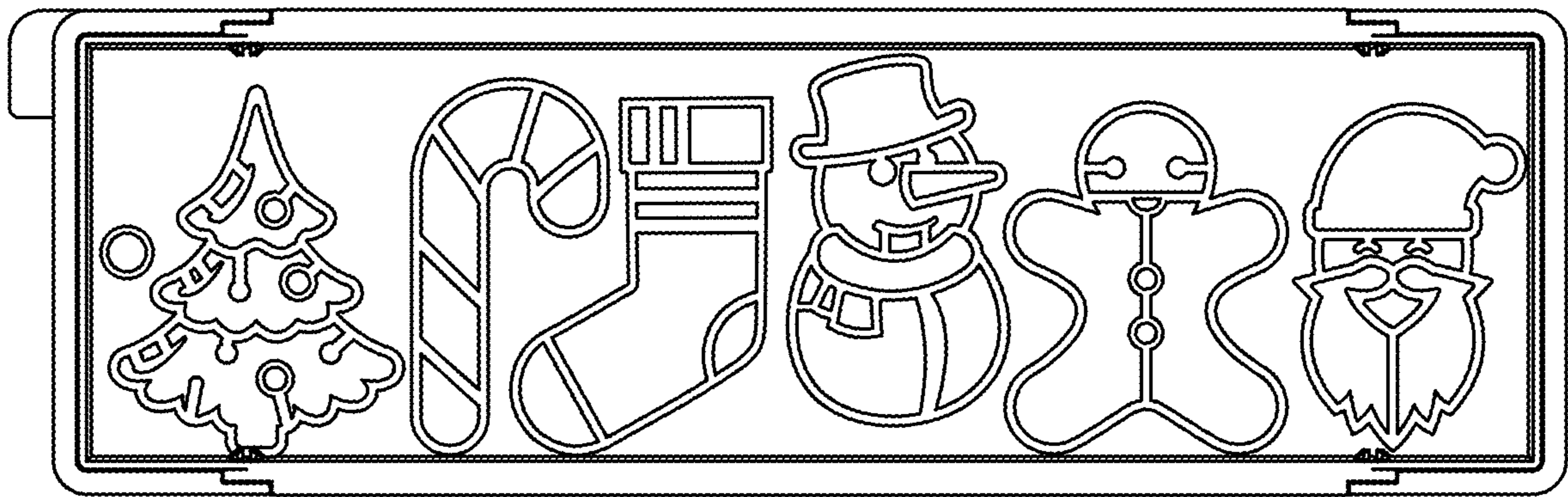


Fig. 3

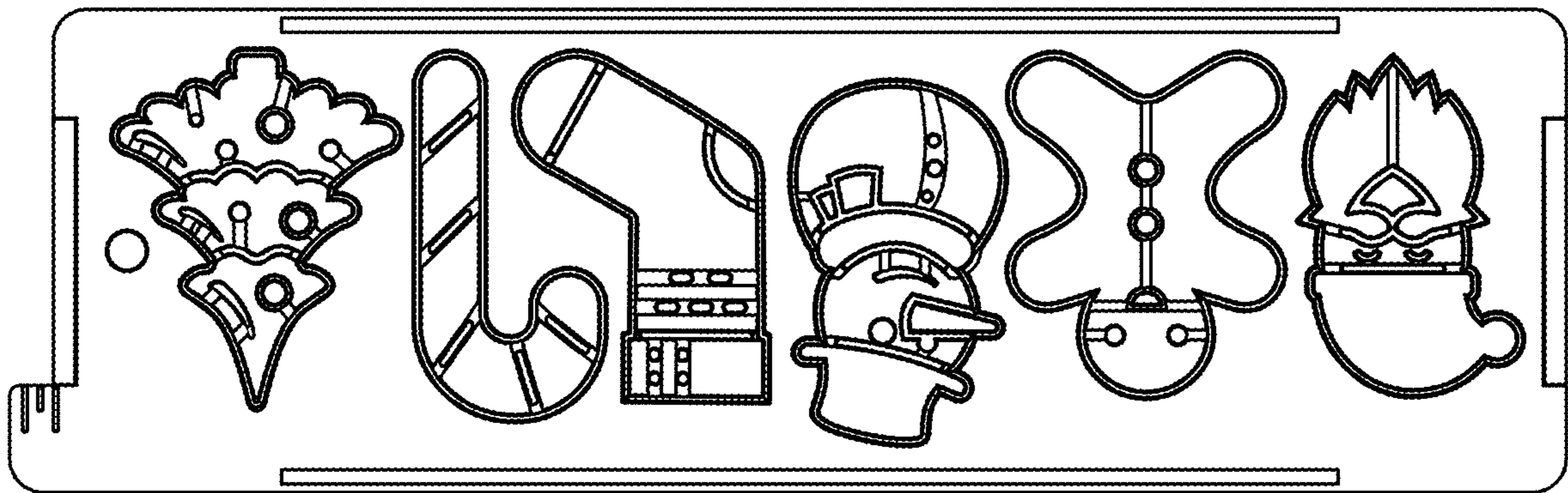


Fig. 4

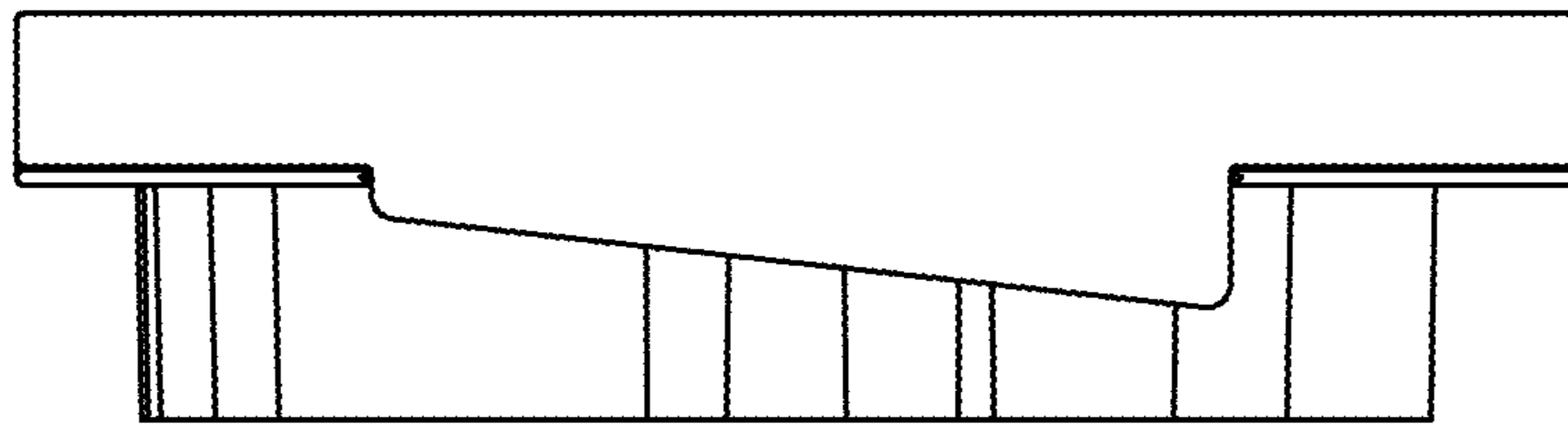


Fig. 5

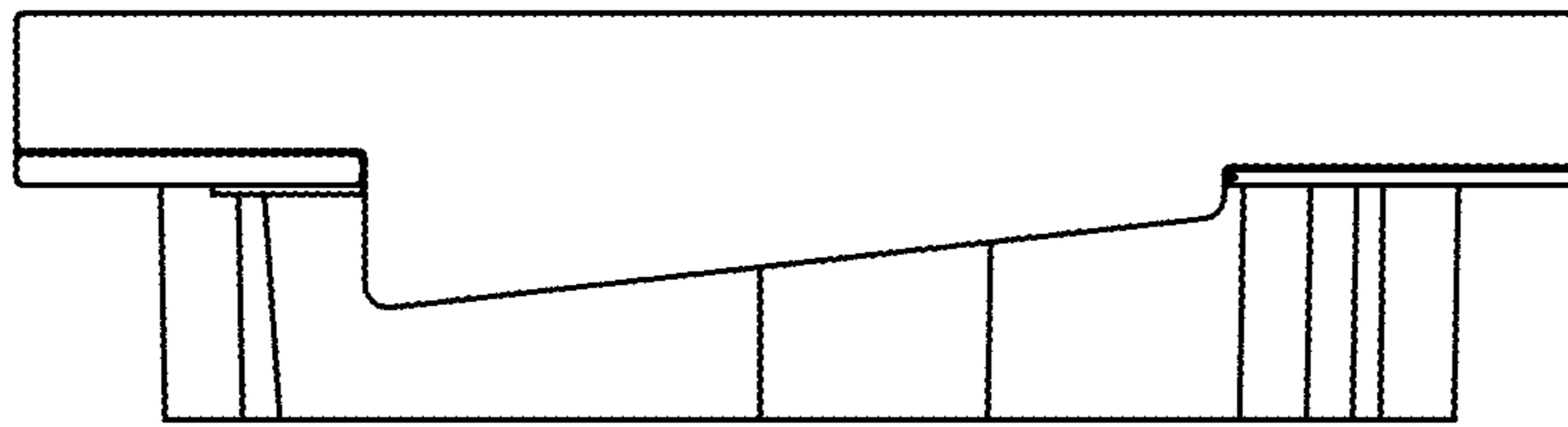


Fig. 6

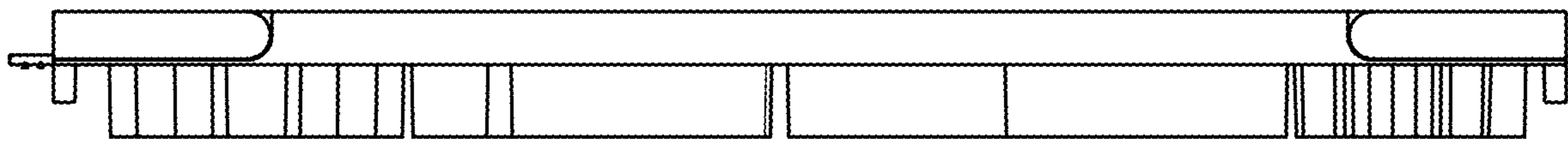


Fig. 7

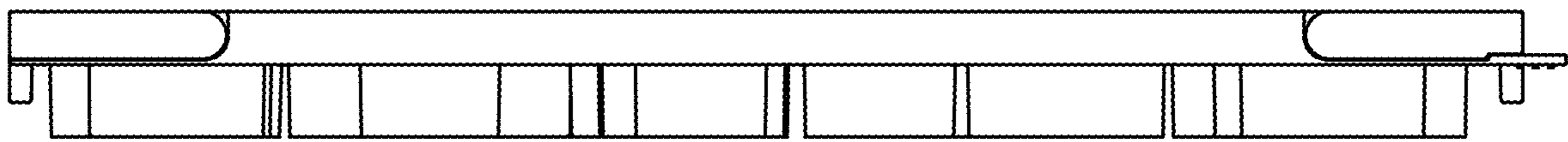


Fig. 8

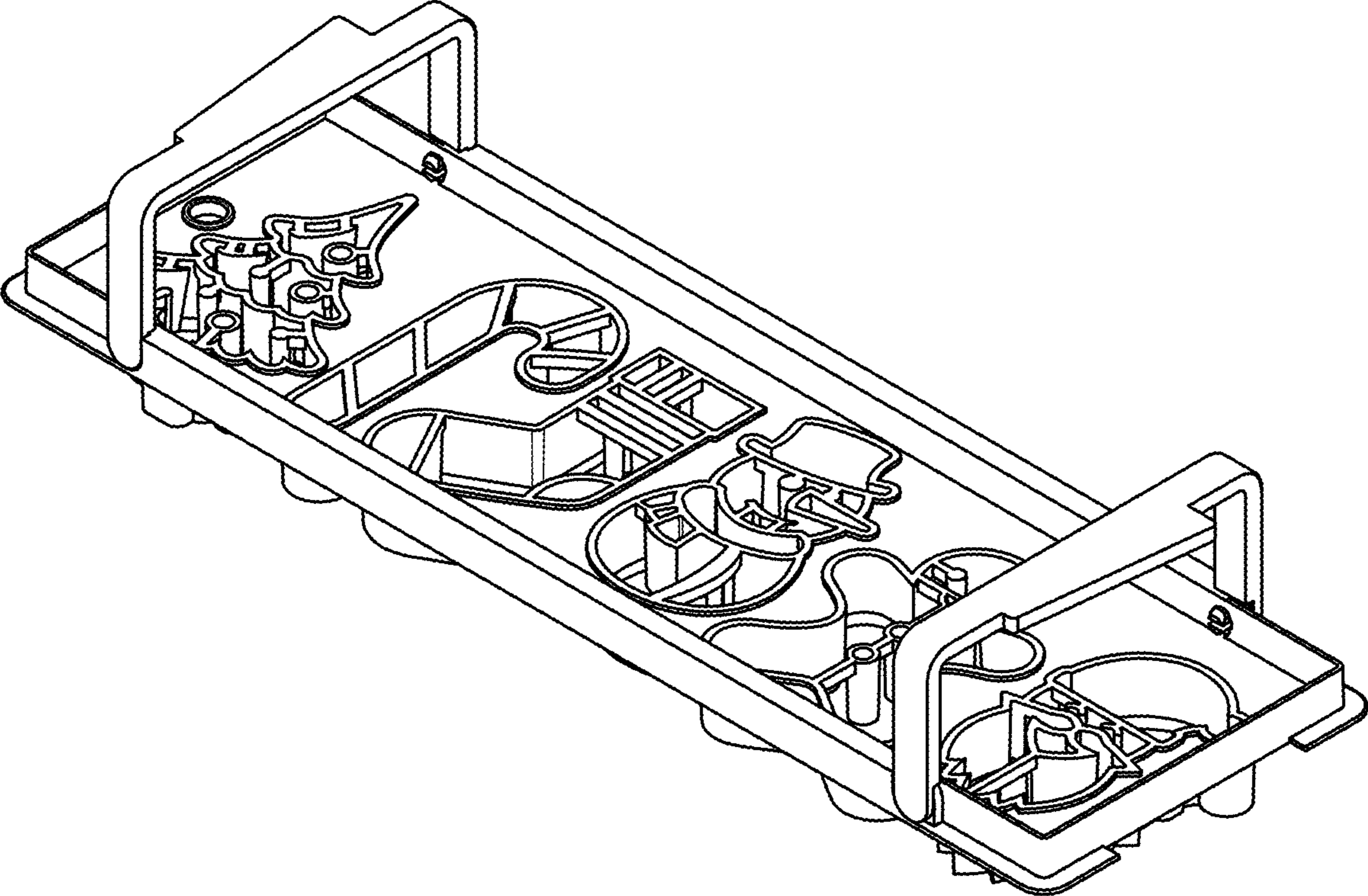


Fig. 9

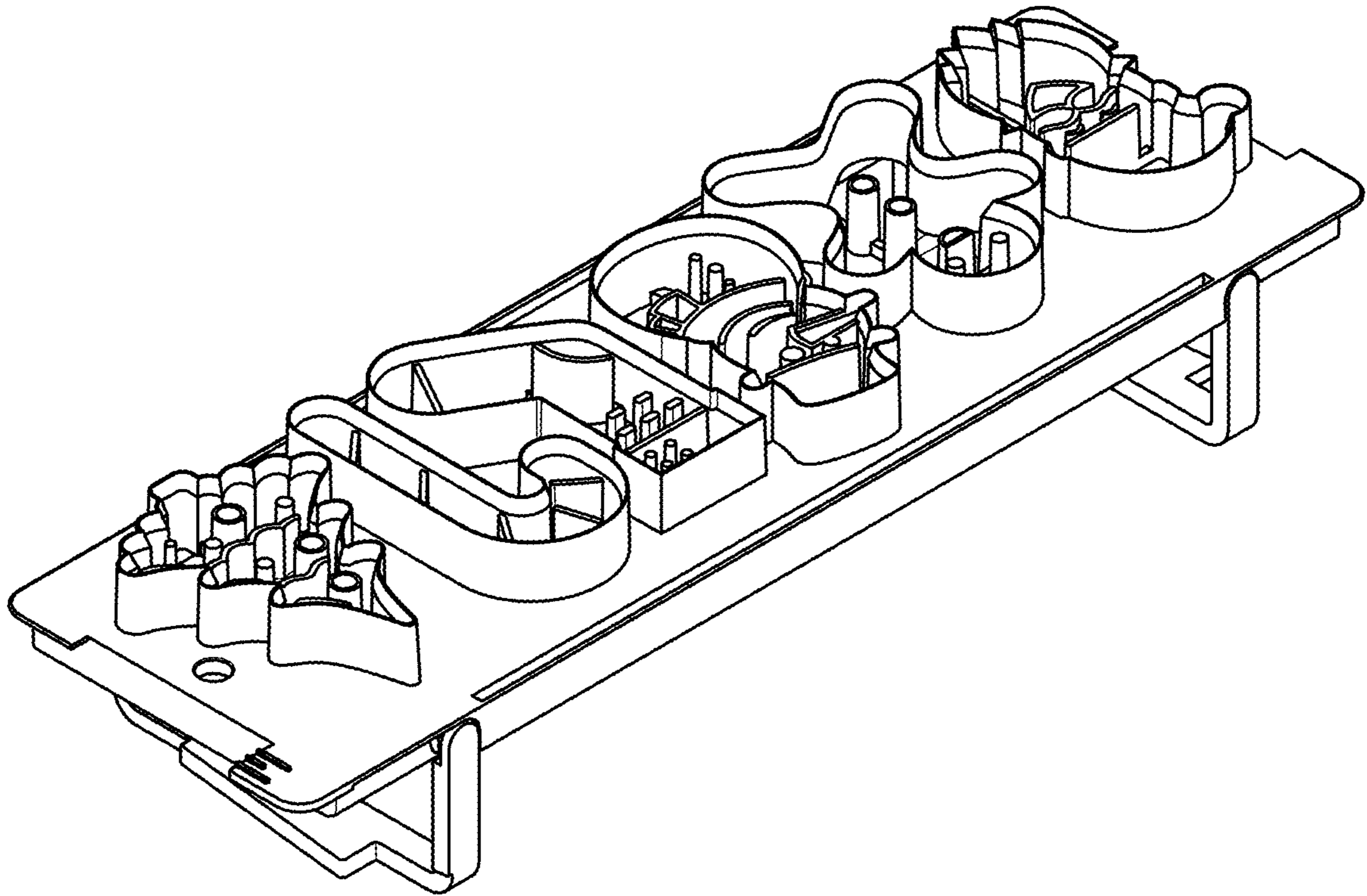


Fig. 10

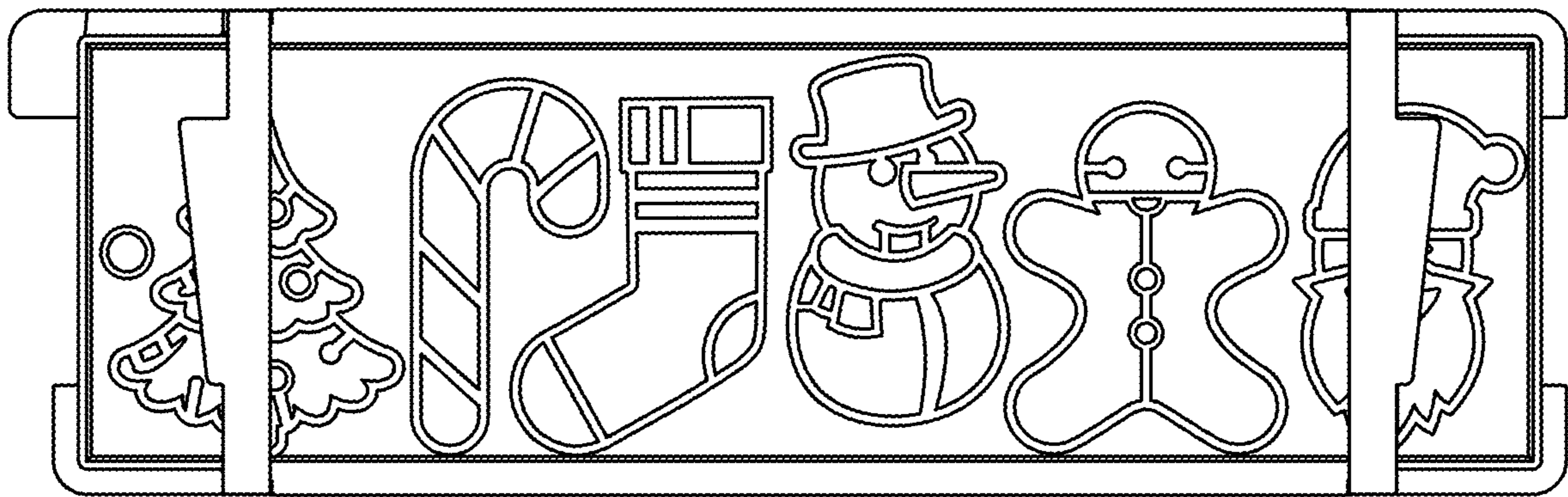


Fig. 11

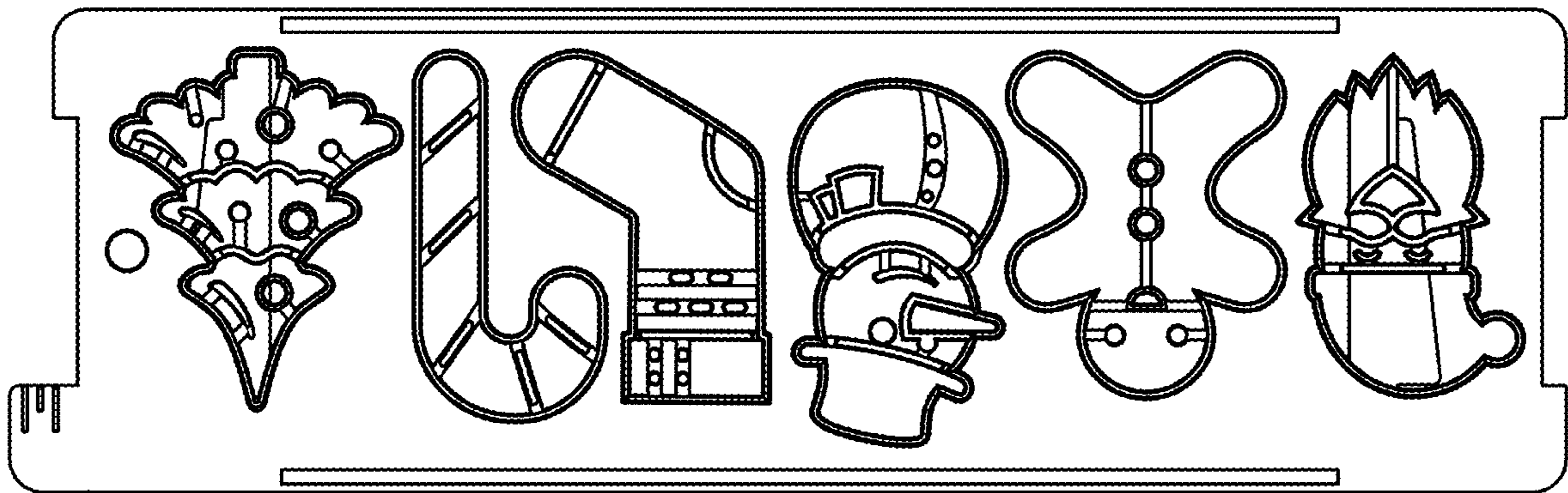


Fig. 12

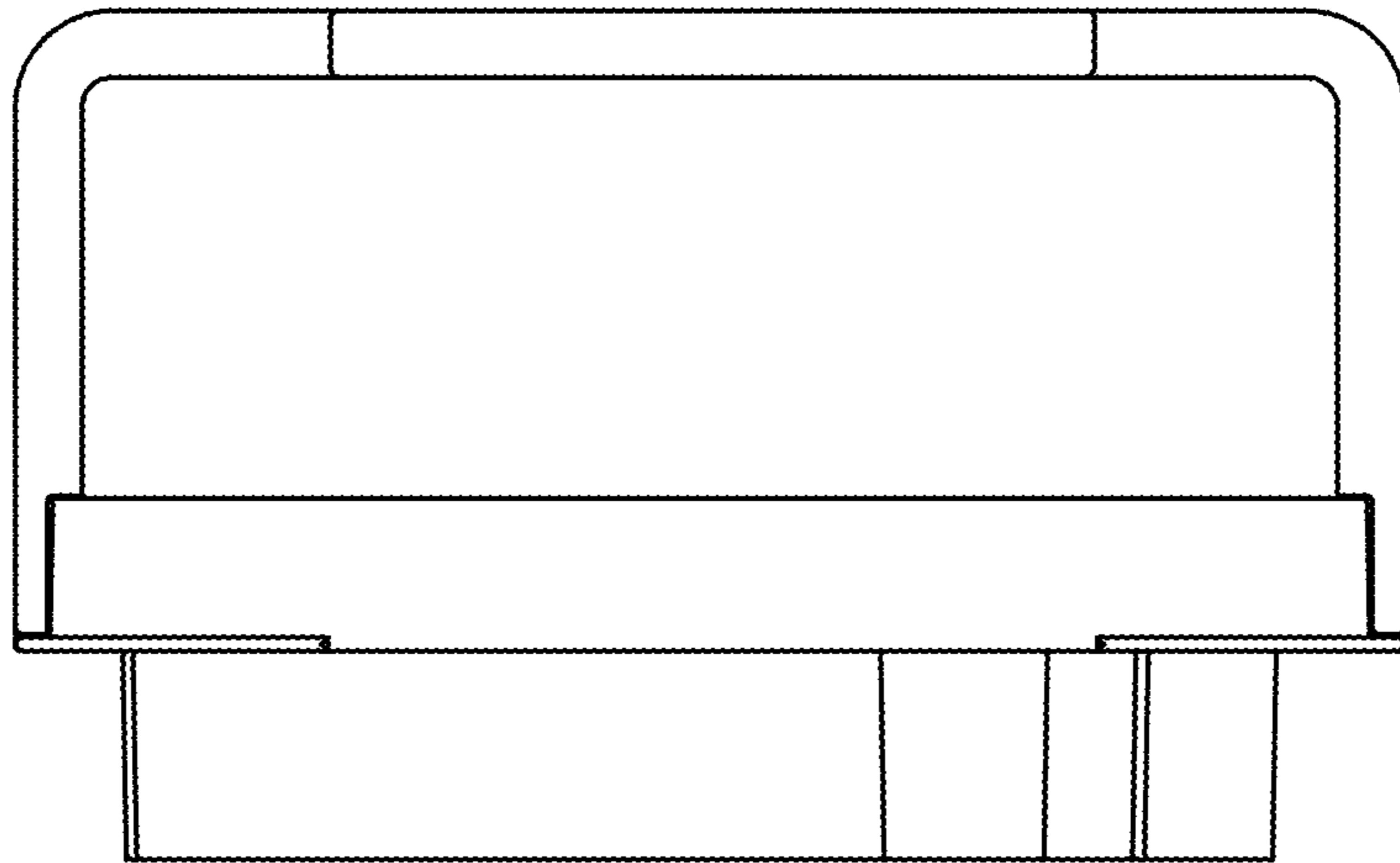


Fig. 13

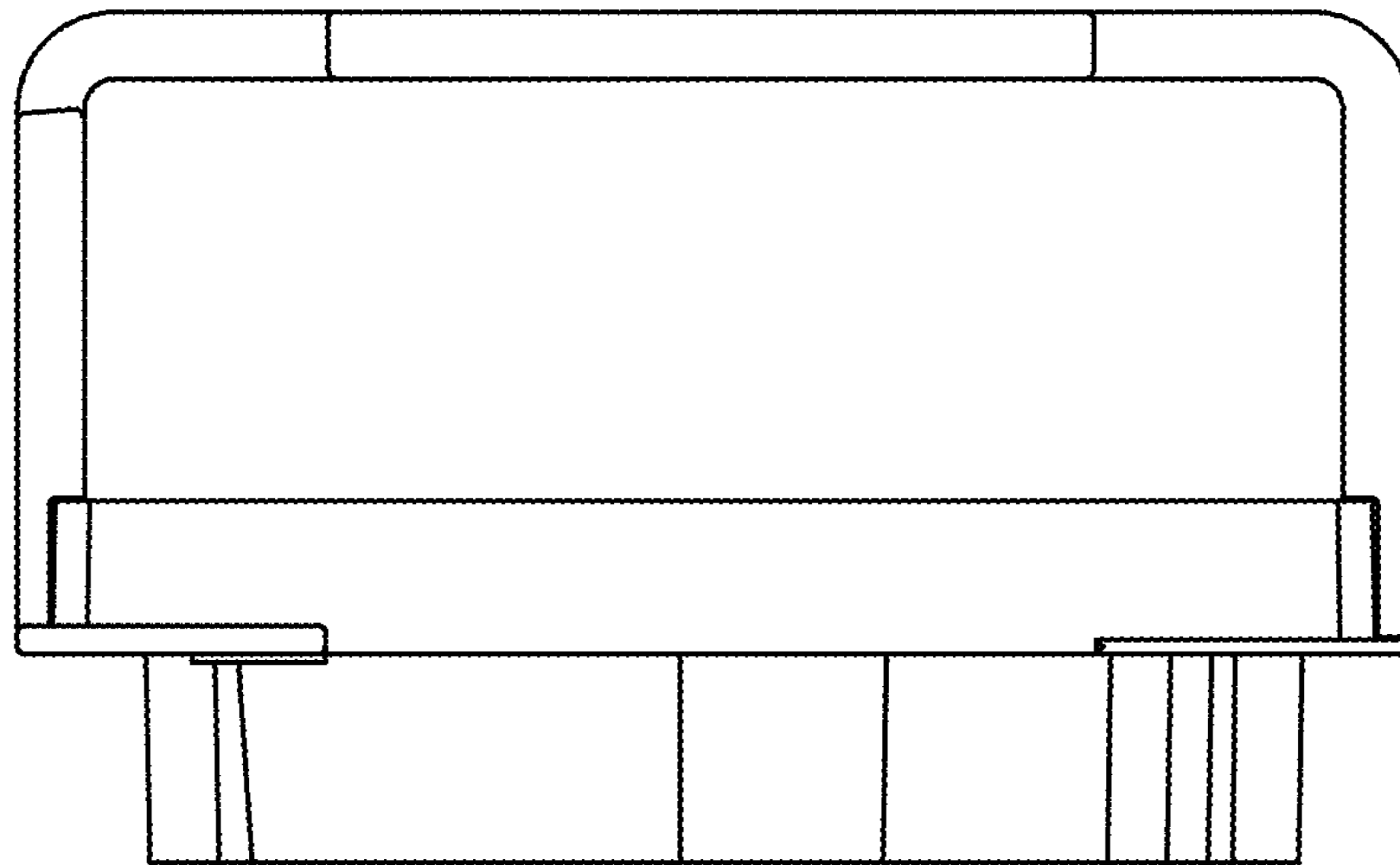


Fig. 14

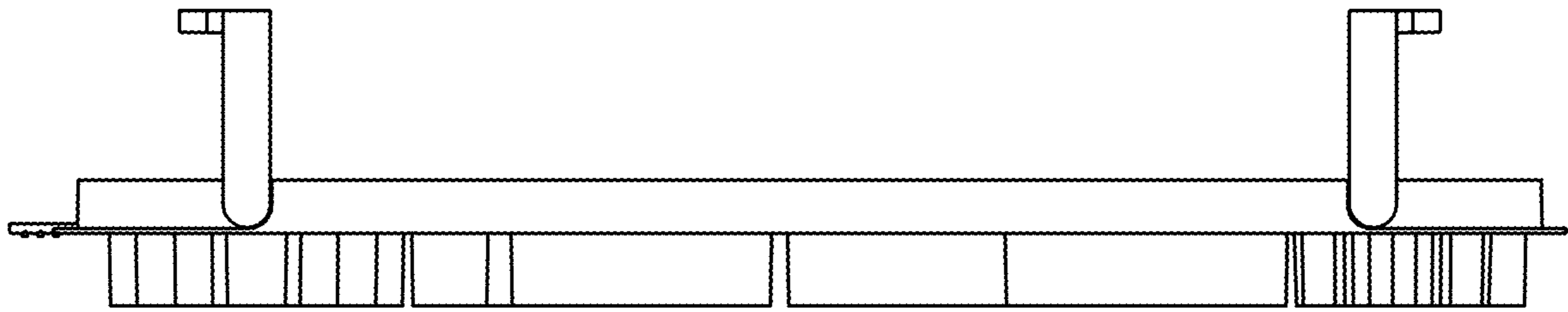


Fig. 15

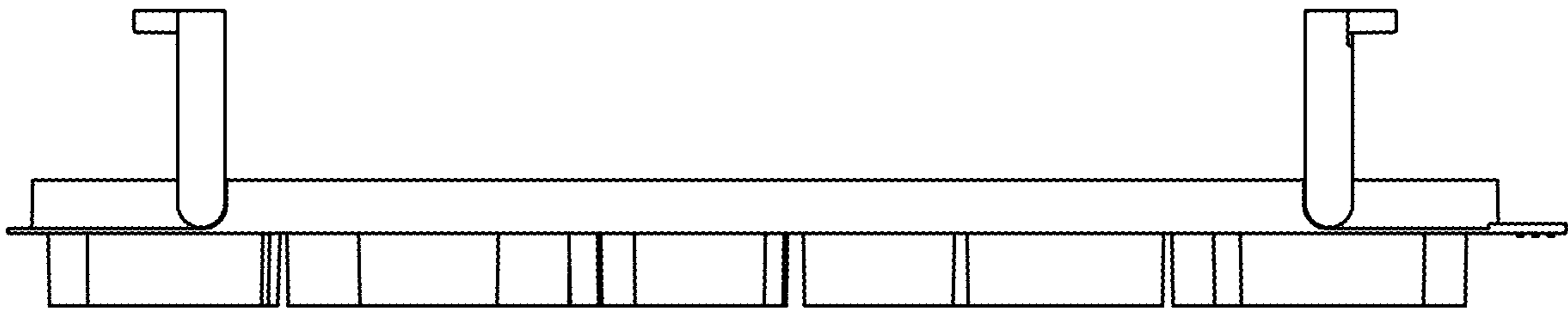


Fig. 16