



US00D889215S

(12) **United States Design Patent**
Carroll

(10) **Patent No.:** **US D889,215 S**
(45) **Date of Patent:** **** Jul. 7, 2020**

- (54) **CONDIMENT DISTRIBUTION DEVICE**
- (71) Applicant: **William Carroll**, St. Louis, MO (US)
- (72) Inventor: **William Carroll**, St. Louis, MO (US)
- (**) Term: **15 Years**
- (21) Appl. No.: **29/689,026**
- (22) Filed: **Apr. 26, 2019**

- 2,896,825 A 7/1959 Jackson
- 2,948,928 A 8/1960 Harold et al.
- 2,984,169 A 5/1961 Bushway
- 3,088,638 A 5/1963 Nelson et al.
- 3,094,243 A 6/1963 Haugen
- 3,104,424 A 9/1963 Immel
- 3,123,256 A 3/1964 Smith et al.
- 3,181,839 A 5/1965 Jennings
- 3,245,437 A 4/1966 Holz
- 3,282,469 A 11/1966 Skonberg
- 3,326,534 A 6/1967 Harrower
- 3,339,896 A 9/1967 Mckibben

(Continued)

Related U.S. Application Data

- (63) Continuation-in-part of application No. 15/664,721, filed on Jul. 31, 2017.
- (51) **LOC (12) Cl.** **07-04**
- (52) **U.S. Cl.**
USPC **D7/670**
- (58) **Field of Classification Search**
USPC D7/300.2, 635, 667, 669, 665, 670, 700
CPC A23P 20/15
See application file for complete search history.

Primary Examiner — Karen S Acker
Assistant Examiner — Steven B Reinholdt, Jr.
 (74) *Attorney, Agent, or Firm* — Boudwin Intellectual Property; Daniel Boudwin

(57) **CLAIM**

The ornamental design for a condiment distribution device, as shown and described.

DESCRIPTION

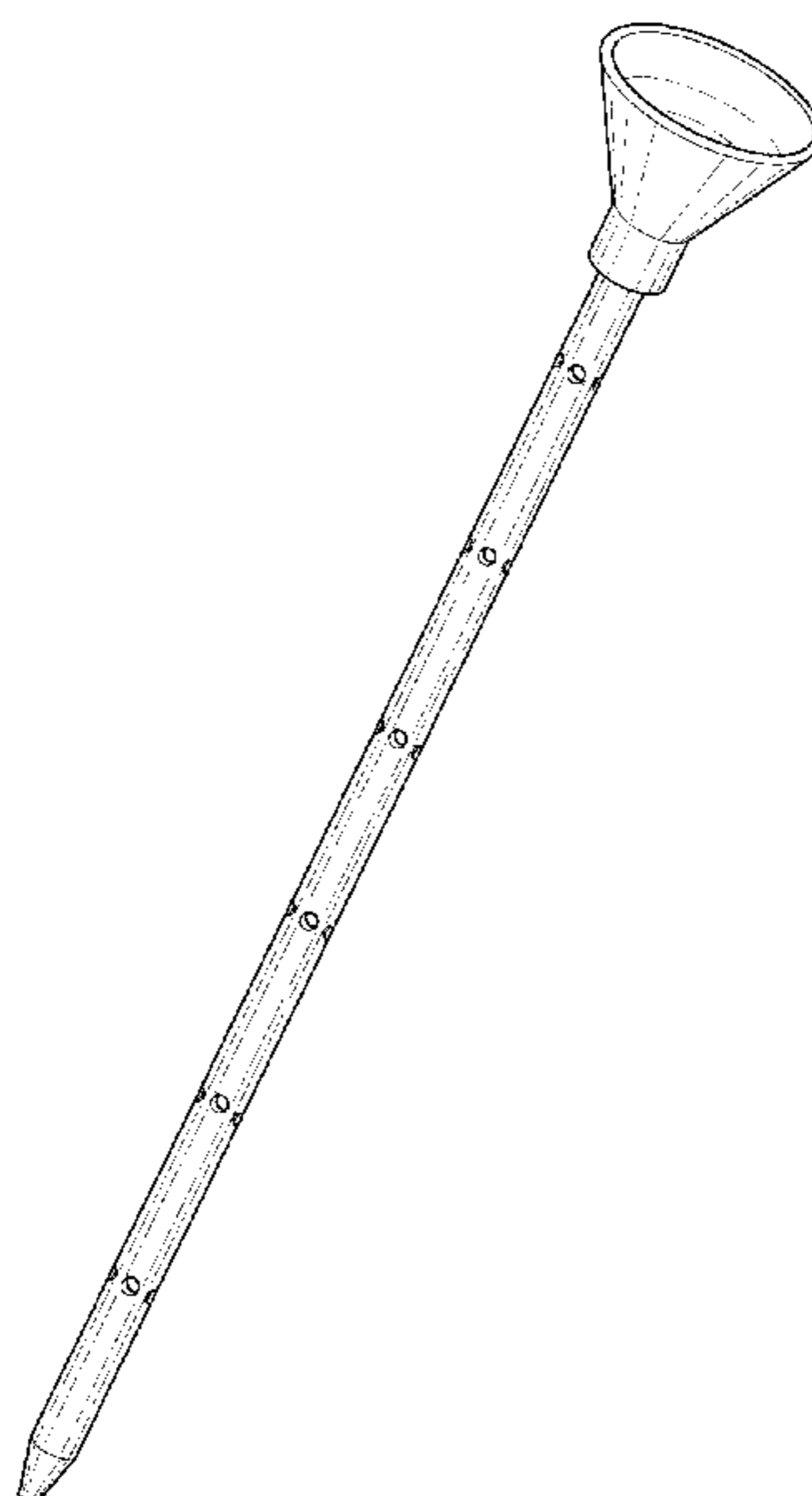
FIG. 1 shows a perspective view of a condiment distribution device;
 FIG. 2 shows a front view of the condiment distribution device;
 FIG. 3 shows a rear view of the condiment distribution device;
 FIG. 4 shows a right side view of the condiment distribution device;
 FIG. 5 shows a left side view of the condiment distribution device;
 FIG. 6 shows a top plan view of the condiment distribution device; and,
 FIG. 7 shows a bottom plan view of the condiment distribution device.
 The shade lines in the Figures show contour and not surface ornamentation.

(56) **References Cited**

U.S. PATENT DOCUMENTS

- 490,525 A 1/1893 Werner
- 812,819 A 2/1906 Busch
- 1,399,868 A * 12/1921 Nuss H01M 2/362
141/337
- 1,646,858 A 10/1927 Grossenbacher
- 1,951,498 A * 3/1934 Whitney B67C 11/02
184/1.5
- 1,974,611 A 9/1934 Edward
- 2,017,293 A 10/1935 Priest
- 2,021,585 A * 11/1935 Zarovy F16N 31/002
184/1.5
- 2,302,591 A * 11/1942 Ahern A01M 1/2055
239/654
- 2,345,808 A 4/1944 Green
- 2,505,966 A 5/1950 Humphrey
- 2,561,203 A 7/1951 Morris

1 Claim, 4 Drawing Sheets



(56)

References Cited

U.S. PATENT DOCUMENTS

3,428,460 A	2/1969	Ely	7,326,884 B1	2/2008	Anderson et al.
3,882,255 A	5/1975	Gorham et al.	D567,004 S *	4/2008	Bottega D7/300.2
4,109,827 A	8/1978	Leonard, Jr.	7,537,173 B1 *	5/2009	Kogan A47G 21/187
4,149,455 A	4/1979	Ross			239/16
4,166,208 A	8/1979	Martel et al.	D596,440 S *	7/2009	Rothberg D7/300.2
4,338,984 A	7/1982	Kronberg et al.	D607,257 S	1/2010	Wilkins
4,416,326 A	11/1983	Vlaenderen	D615,399 S *	5/2010	Bran D9/436
4,932,787 A	6/1990	Fasano	7,717,144 B1	5/2010	Bottega
4,996,911 A	3/1991	Sherman	8,434,403 B1	5/2013	Cloutier et al.
5,065,927 A	11/1991	Wahl et al.	8,464,634 B2	6/2013	Cretors et al.
5,109,760 A	5/1992	Ansari	8,726,949 B1	5/2014	Poire et al.
5,228,488 A	7/1993	Fletcher	D776,981 S *	1/2017	Eberhard D7/300.2
5,396,878 A	3/1995	Quist	D795,642 S *	8/2017	Leslein A47G 19/2266
5,515,892 A	5/1996	Najafi et al.			D7/507
5,590,582 A	1/1997	Weiss	D841,412 S *	2/2019	Bedford D7/669
5,655,580 A	8/1997	Schrock	2002/0088870 A1 *	7/2002	Banach A47G 21/18
5,921,292 A *	7/1999	Fouts G07F 17/3244			239/33
		141/331	2014/0054316 A1	2/2014	Lehman et al.
D447,921 S	9/2001	Beltz	2014/0251155 A1	9/2014	Jacobsen et al.
7,219,818 B2	5/2007	Pan	2016/0007795 A1	1/2016	Zhang et al.
			2017/0238586 A1	8/2017	Salpietro et al.
			2018/0027866 A1	2/2018	Carroll

* cited by examiner

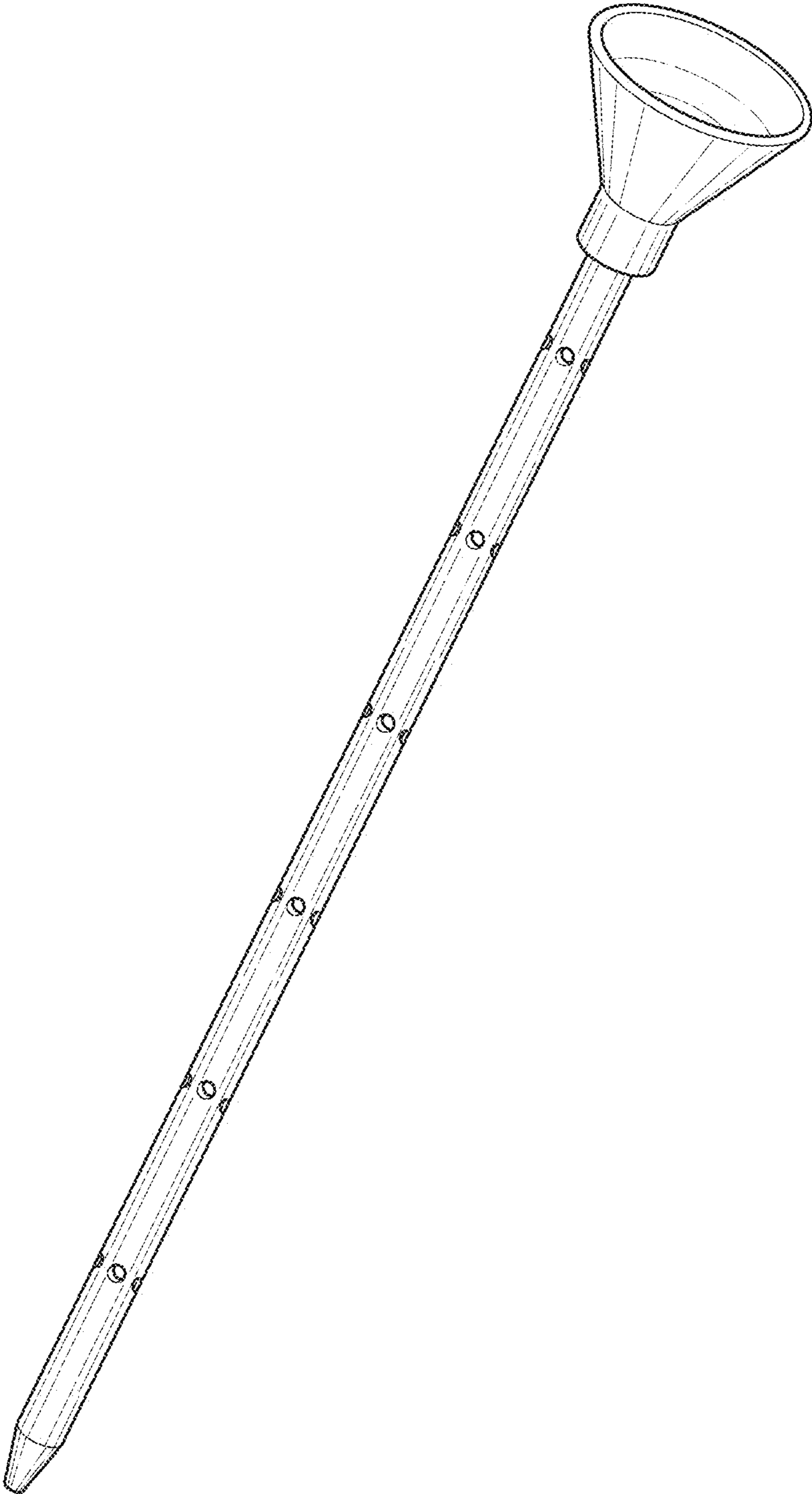


FIG. 1

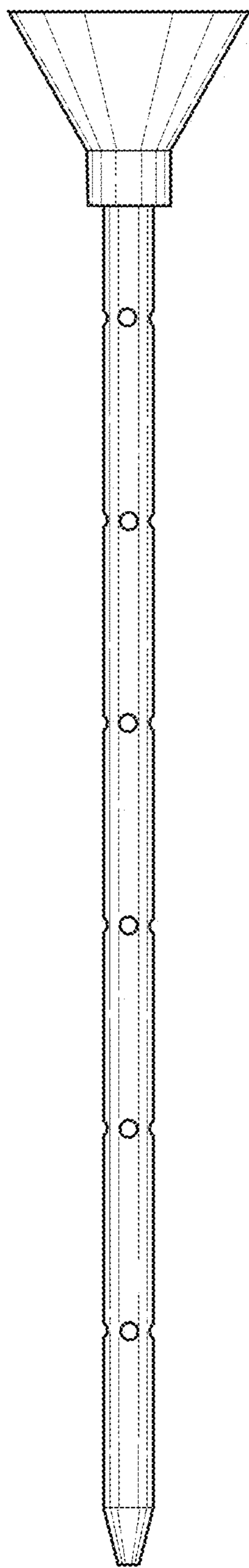


FIG. 2

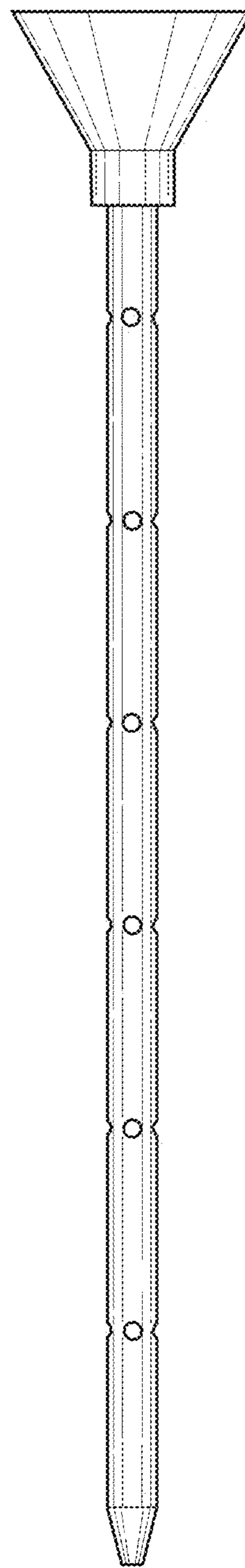


FIG. 3

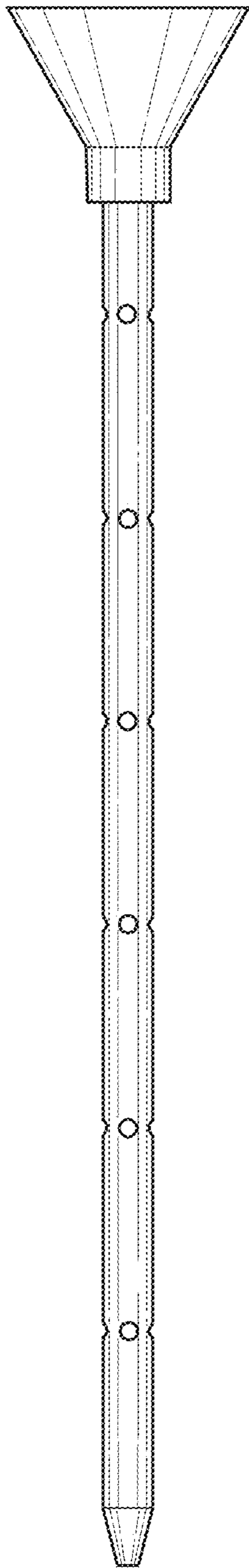


FIG. 4

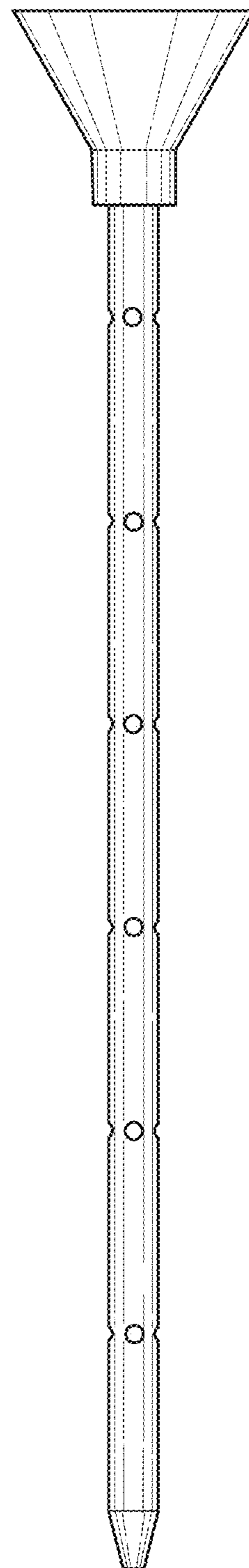


FIG. 5

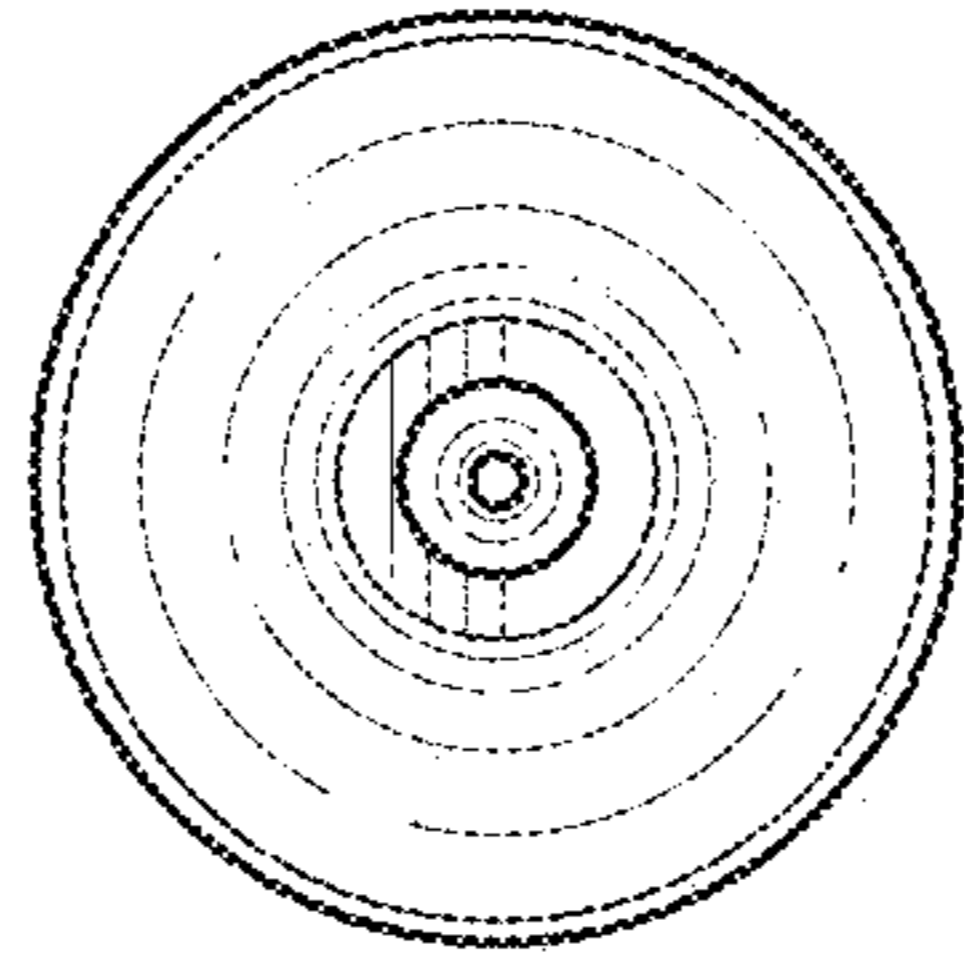


FIG. 6

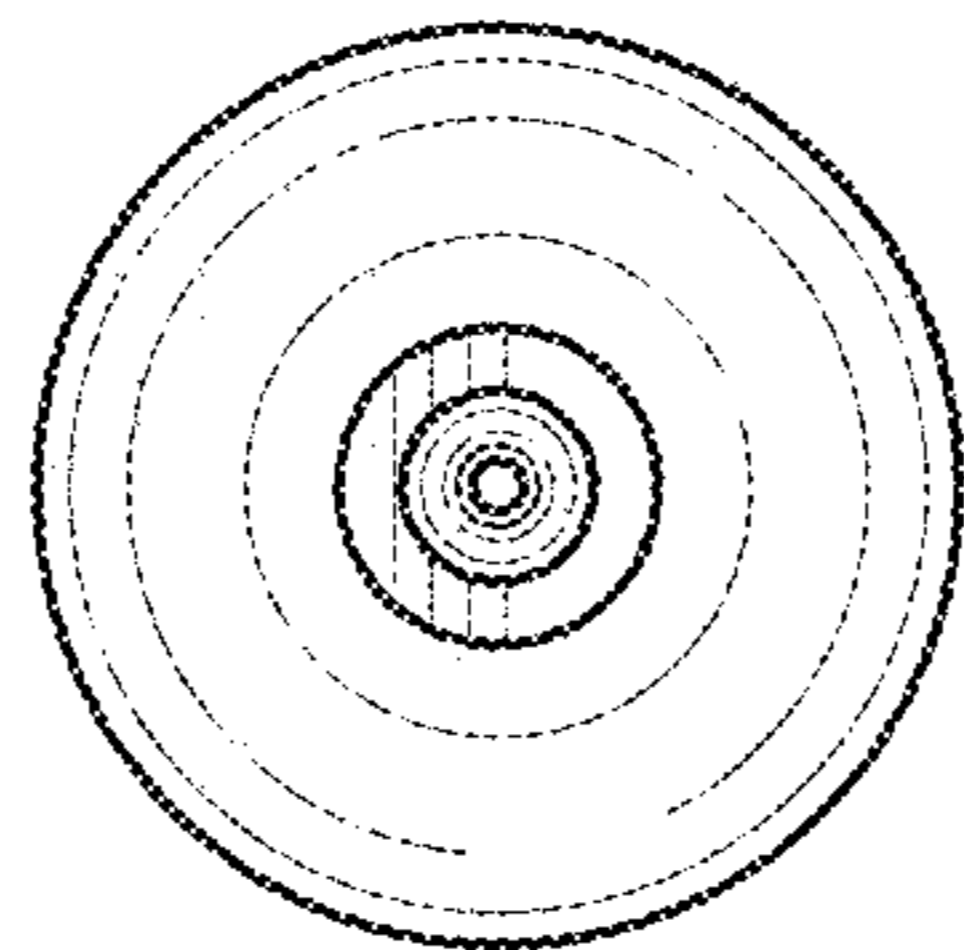


FIG. 7