



US00D889212S

(12) **United States Design Patent**
Dittrich

(10) **Patent No.:** **US D889,212 S**
(45) **Date of Patent:** **** Jul. 7, 2020**

- (54) **NAPKIN HOLDER**
- (71) Applicant: **Spectrum Diversified Designs, LLC**,
Streetsboro, OH (US)
- (72) Inventor: **Megan Leigh Dittrich**, Twinsburg, OH
(US)
- (73) Assignee: **Spectrum Diversified Designs, LLC**,
Streetsboro, OH (US)

D640,510 S *	6/2011	Guindi	D7/631
D652,688 S *	1/2012	Guindi	D7/631
D737,105 S *	8/2015	Tsai	D7/601
D744,296 S *	12/2015	Goodman	D7/631
D748,441 S *	2/2016	Goodman	D7/631
D787,277 S *	5/2017	Goodman	D7/631

(**) Term: **15 Years**
(21) Appl. No.: **29/676,054**

- (22) Filed: **Jan. 8, 2019**
- (51) **LOC (12) Cl.** **07-07**
- (52) **U.S. Cl.**
USPC **D7/631**
- (58) **Field of Classification Search**
USPC D3/306; D6/566-574; D7/631,
D7/637-641; 211/41.4, 70.7, 85.31,
211/90.03, 106, 126.8, 126.9, 133.2,
211/133.5; 220/485-488, 491; 248/37.3,
248/37.6, 153, 175
CPC . A47B 88/00; A47B 88/20; A47F 7/00; A47F
7/14; A47G 21/00; A47G 21/16; B65D
1/34; B65D 1/36; B65D 21/046; B65D
21/048; G09F 1/14
See application file for complete search history.

- (56) **References Cited**
U.S. PATENT DOCUMENTS
D551,454 S * 9/2007 Cheng D3/306
D617,591 S * 6/2010 Snider D3/306

OTHER PUBLICATIONS

Madison Weighted Napkin Holder, [online], [retrieved on Jan. 8, 2019]. Retrieved from Internet, <URL: <https://www.spectrumdiversified.com/products/madison-weighted-napkin-holder>>. Allowed Design U.S. Appl. No. 29/633,717, filed Jan. 15, 2018.

* cited by examiner

Primary Examiner — Janice Patyk
(74) *Attorney, Agent, or Firm* — Renner, Otto, Boisselle and Sklar, LLP

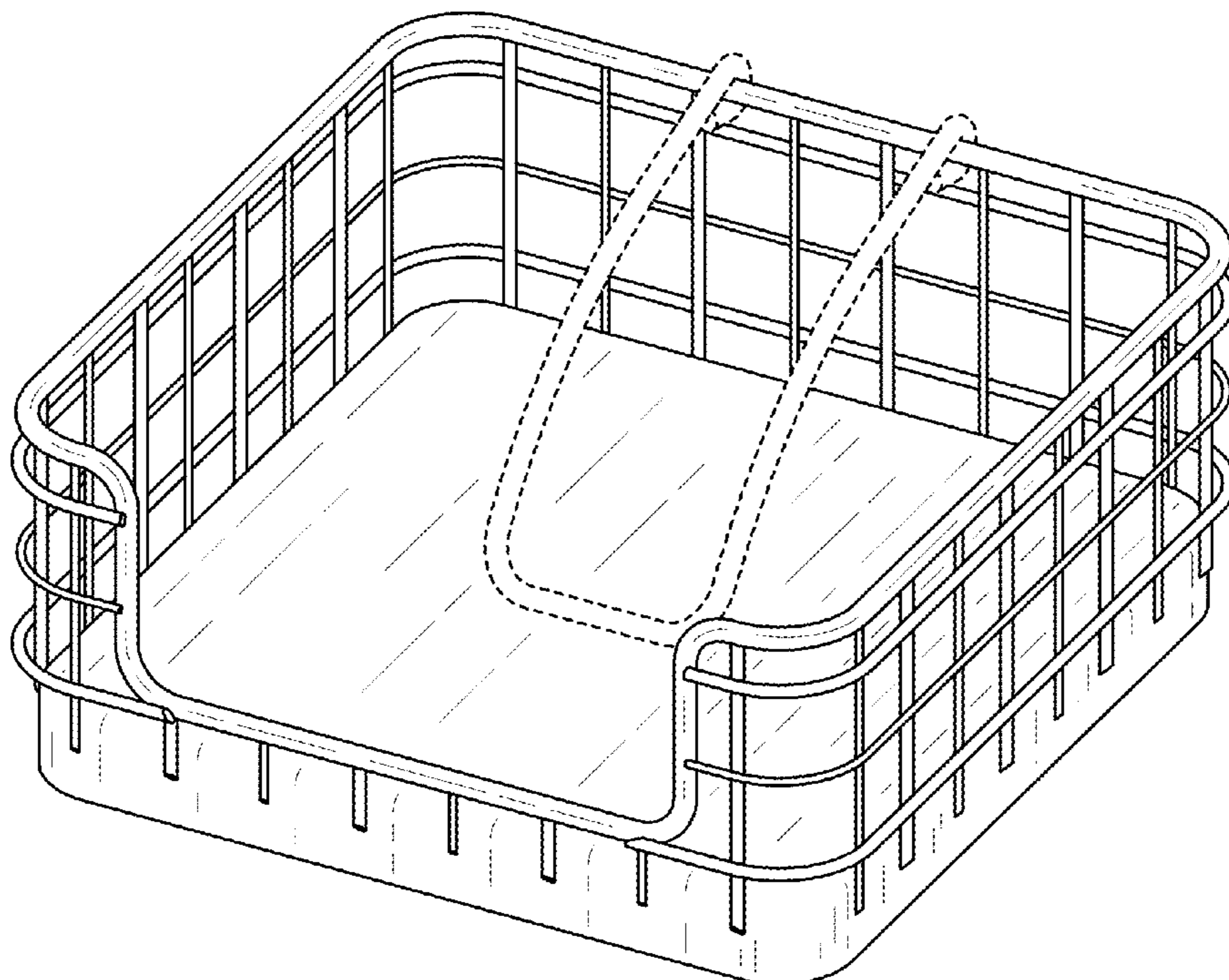
(57) **CLAIM**

The ornamental design for a napkin holder, as shown and described.

DESCRIPTION

FIG. 1 is a top, right side, front perspective view of a napkin holder, showing my new design;
FIG. 2 is a front elevation view thereof;
FIG. 3 is a rear elevation view thereof;
FIG. 4 is a right side elevation view thereof;
FIG. 5 is a left side elevation view thereof;
FIG. 6 is a top plan view thereof; and,
FIG. 7 is a bottom plan view thereof.
The broken lines in the figures illustrate the portions of the design that form no part of the claimed design.

1 Claim, 4 Drawing Sheets



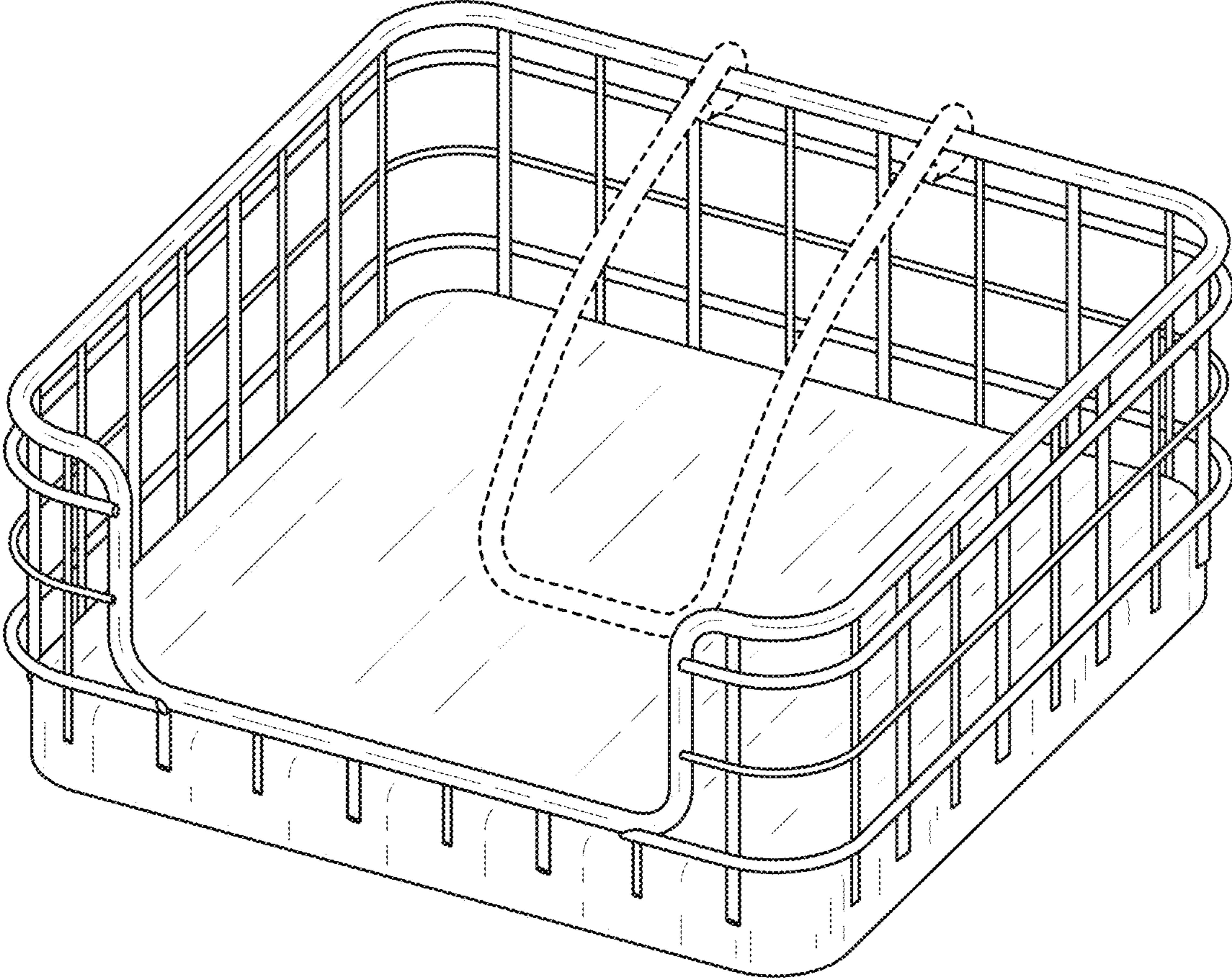


FIG. 1

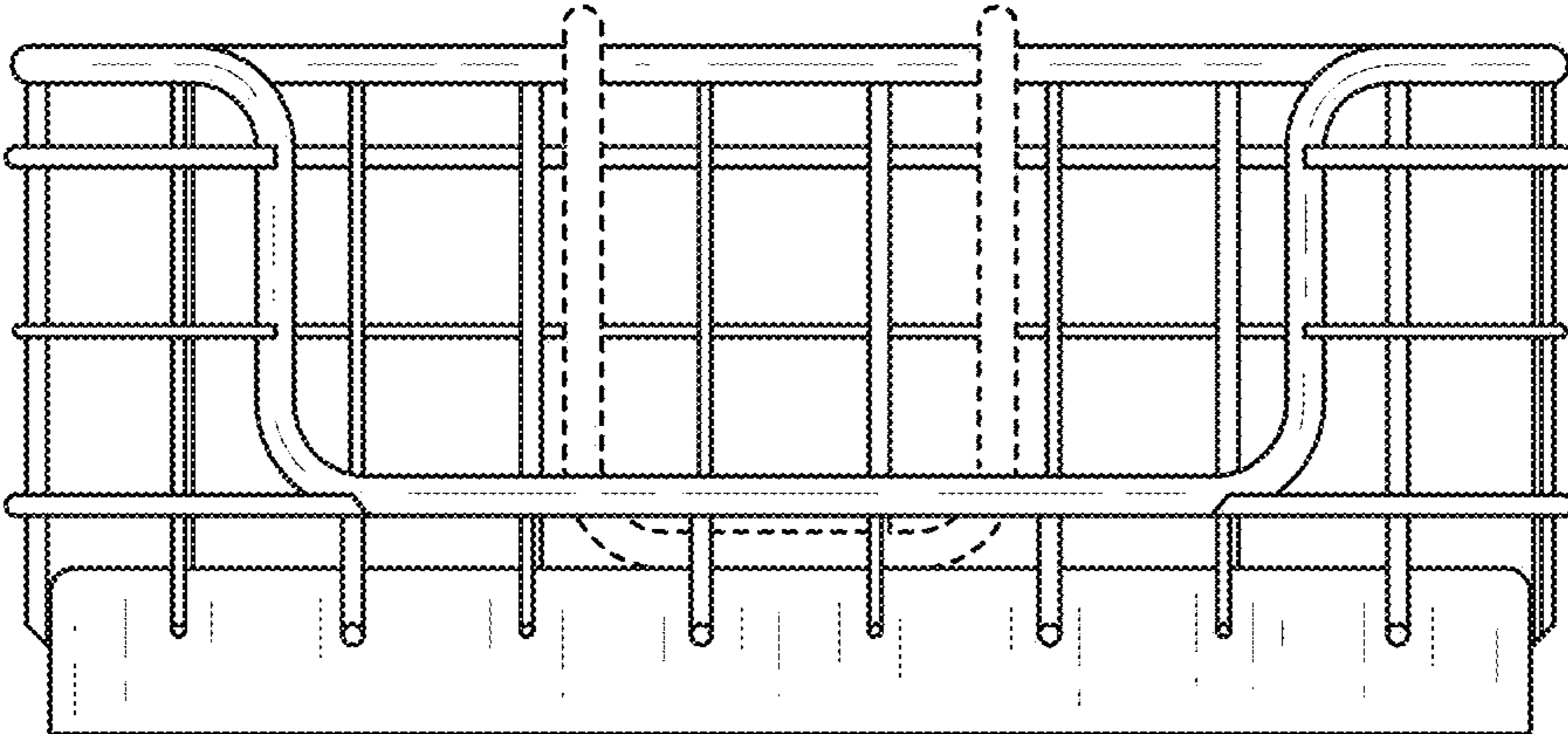


FIG. 2

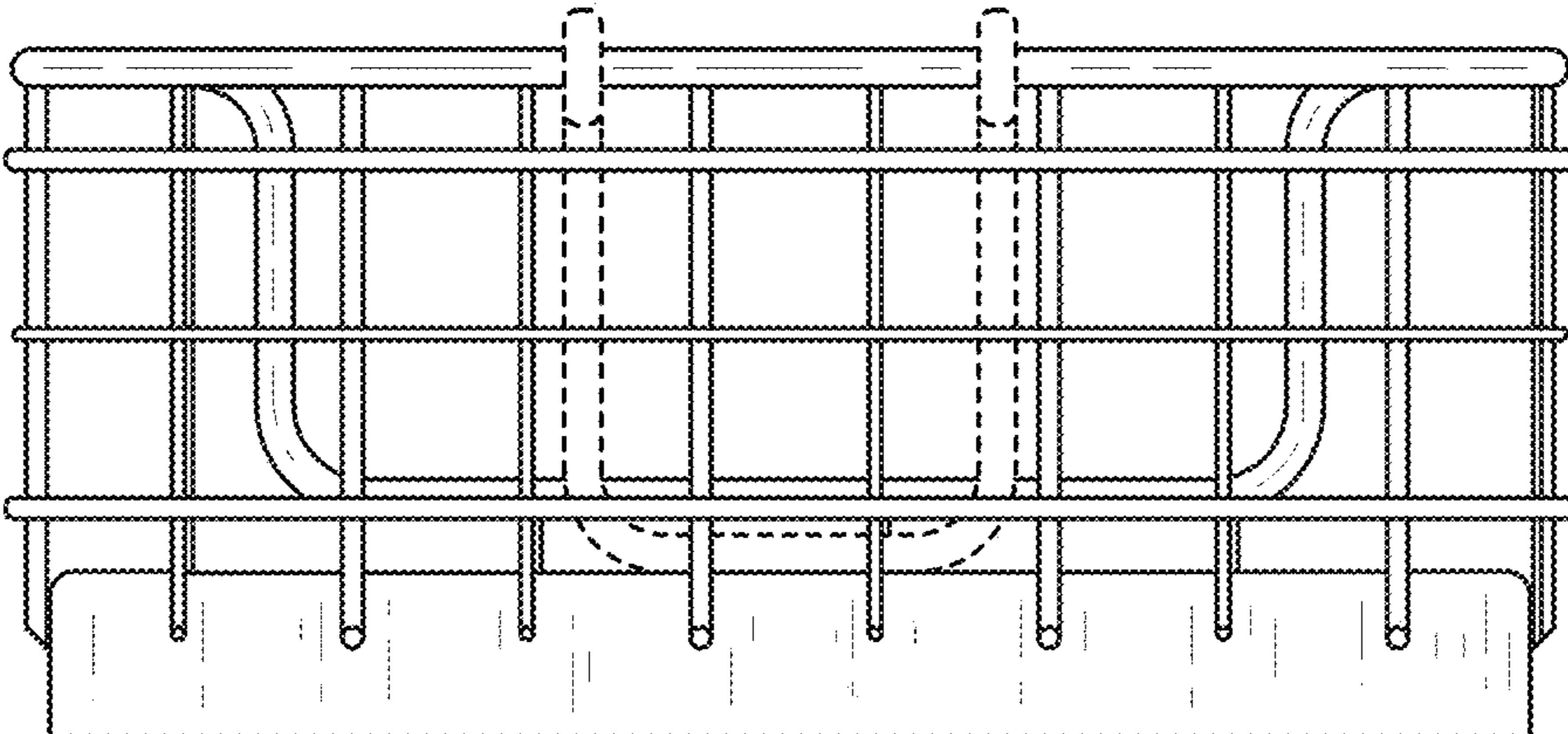


FIG. 3

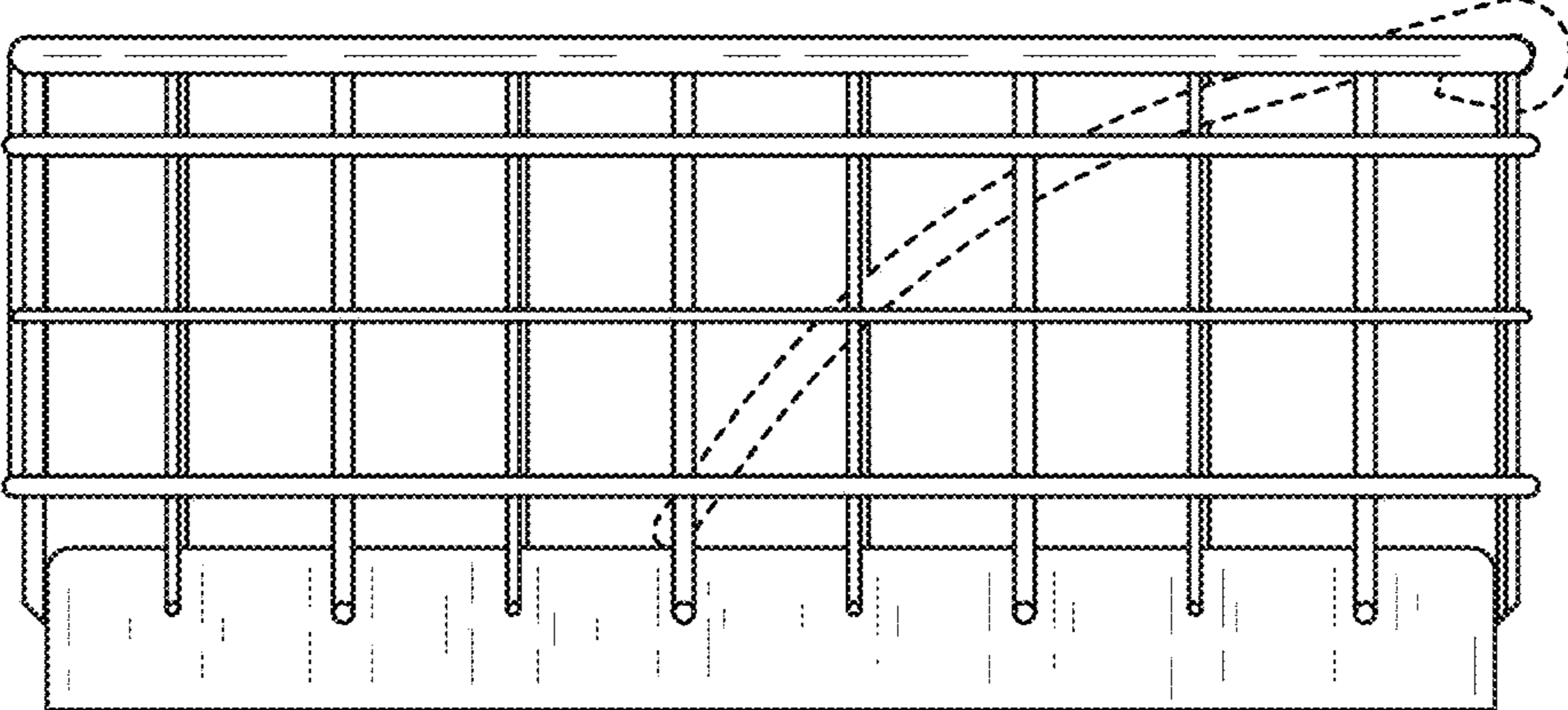


FIG. 4

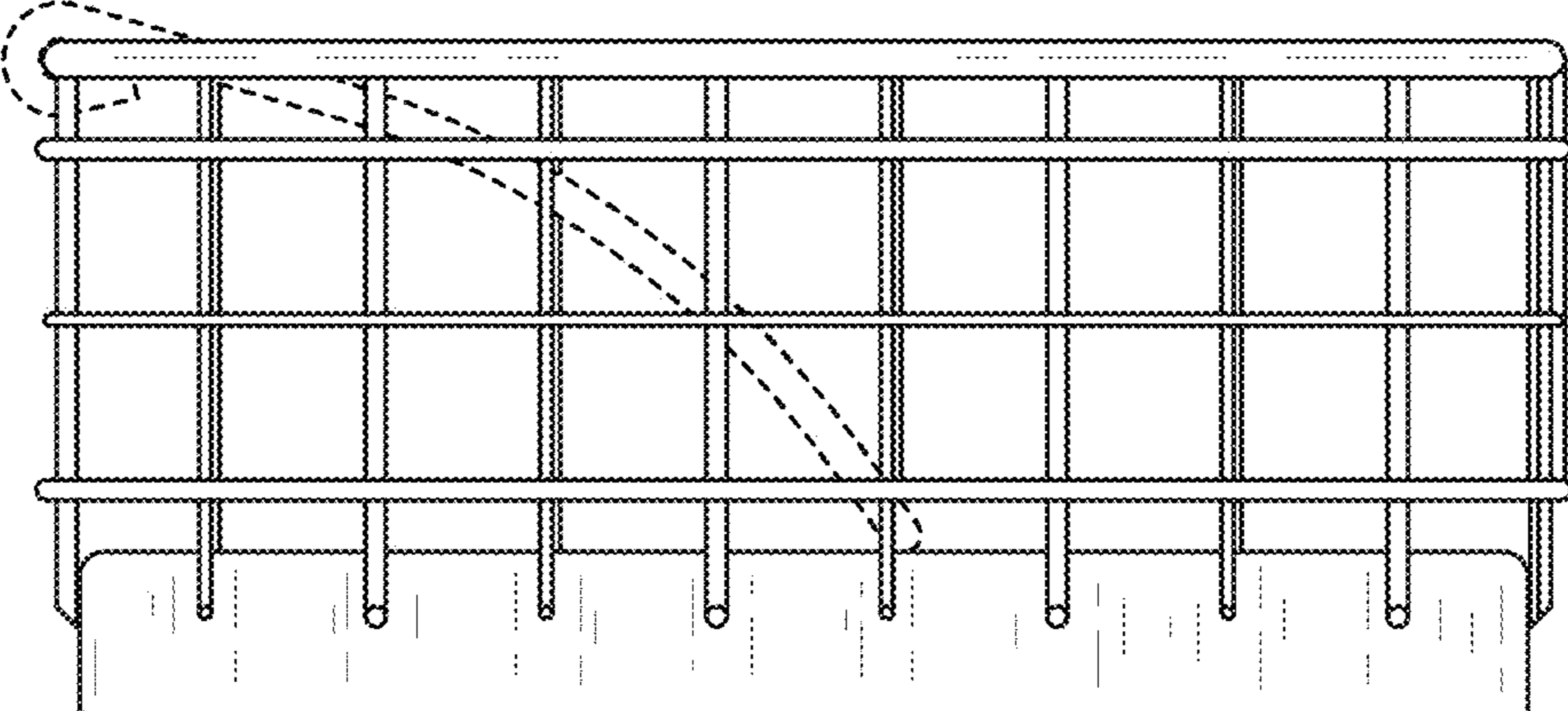


FIG. 5

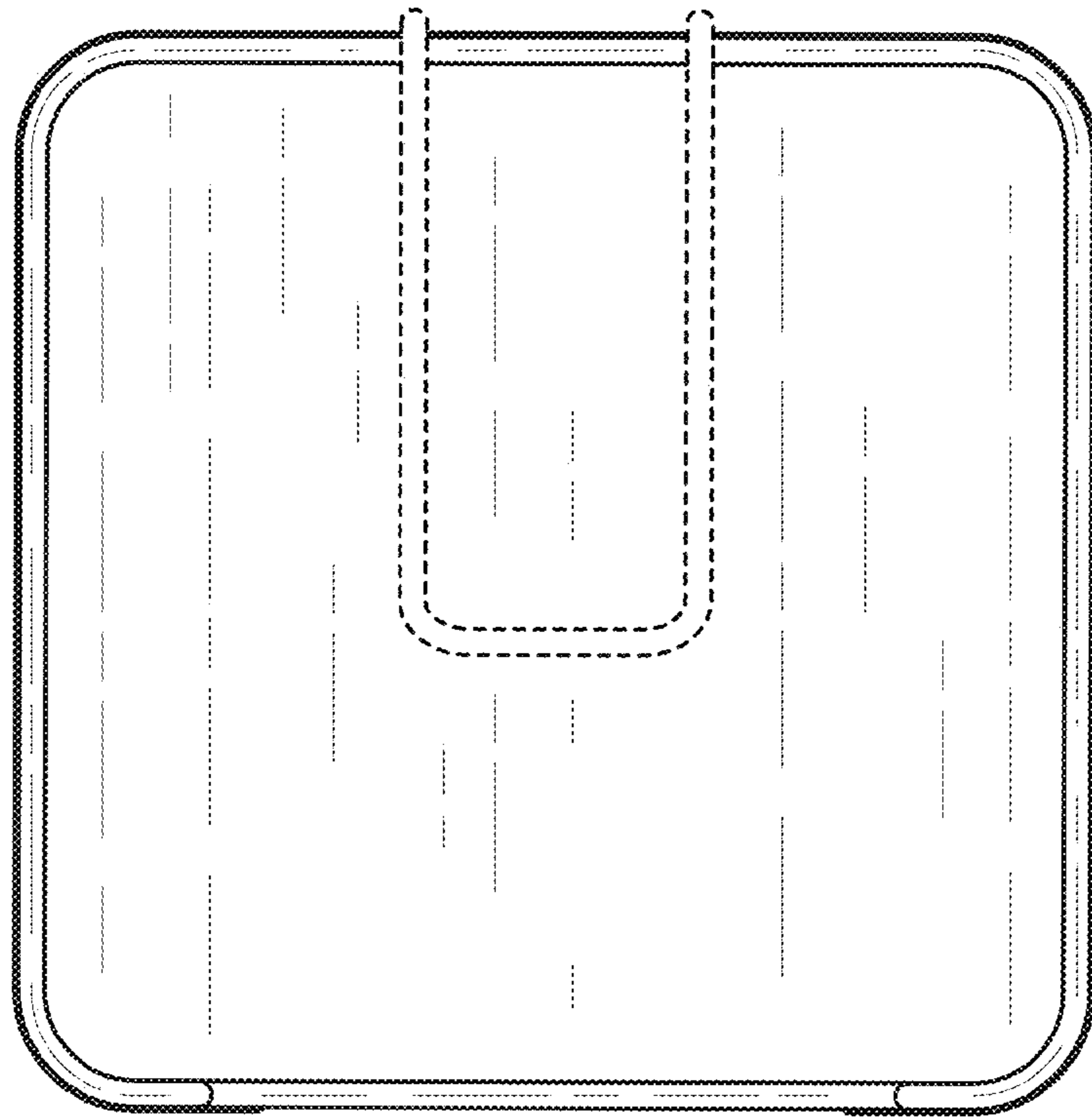


FIG. 6

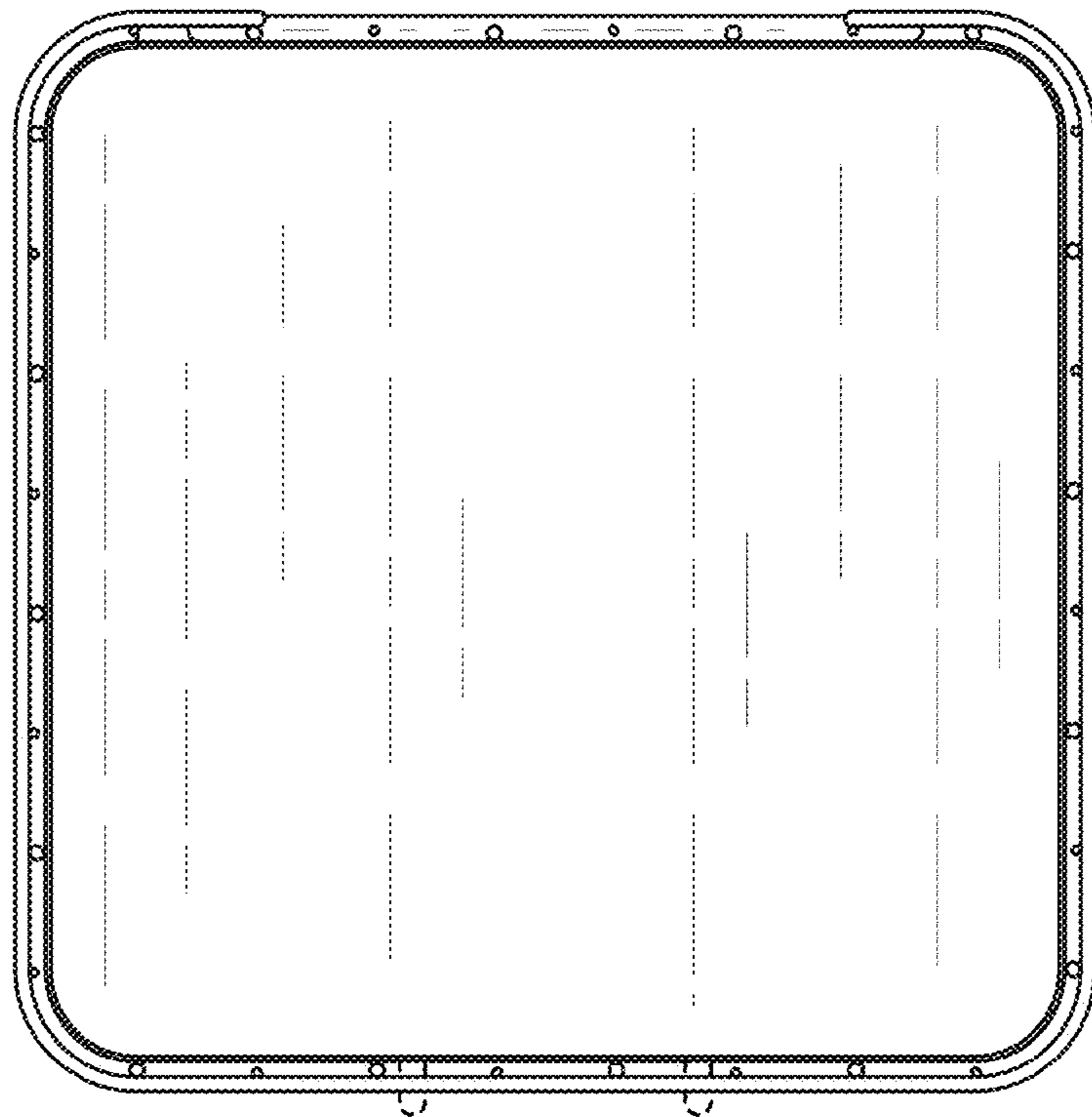


FIG. 7