



US00D889211S

(12) **United States Design Patent**  
**Cox**

(10) **Patent No.:** **US D889,211 S**  
(45) **Date of Patent:** **\*\* Jul. 7, 2020**

(54) **BOTTLE HOLDER**

(71) Applicant: **Gloria Lee Cox**, West Palm Beach, FL  
(US)

(72) Inventor: **Gloria Lee Cox**, West Palm Beach, FL  
(US)

(\*\*) Term: **15 Years**

(21) Appl. No.: **29/691,681**

(22) Filed: **May 17, 2019**

(51) **LOC (12) Cl.** ..... **09-03**

(52) **U.S. Cl.**  
USPC ..... **D7/620**

(58) **Field of Classification Search**  
USPC ..... D7/500, 584, 602, 600.4, 601, 605, 607,  
D7/608, 619.1, 620, 622, 624.1, 624.2,  
D7/624.3, 701, 704; D3/306  
CPC ..... A47G 23/02; A47G 23/0216; A47G  
23/0225; A47G 7/044; A47B 73/004;  
A47F 7/021; B01L 9/06; B60N 3/103;  
B60N 3/102

See application file for complete search history.

(56) **References Cited**

**U.S. PATENT DOCUMENTS**

D175,159 S *	7/1955	Dunkle	.....	D7/620
D244,302 S *	5/1977	Bradley	.....	D27/104
D251,229 S *	3/1979	Wooters	.....	D12/420
D257,113 S *	9/1980	McCaffrey	.....	D12/420
4,727,890 A *	3/1988	Vincent	.....	B60N 3/12 131/329
D340,622 S *	10/1993	Park	.....	D6/513
D352,450 S *	11/1994	Jetter	.....	D8/373
D355,336 S *	2/1995	Dickey	.....	D7/620
D369,947 S *	5/1996	Herbert	.....	D7/620
D401,121 S *	11/1998	Hartmann	.....	D7/620

D731,253 S *	6/2015	Conant	.....	D7/620
D820,644 S *	6/2018	Mubarak	.....	D7/590
D826,002 S *	8/2018	Resteghini	.....	D7/620

\* cited by examiner

*Primary Examiner* — Karen S Acker  
*Assistant Examiner* — Steven B Reinholdt, Jr.

(57) **CLAIM**

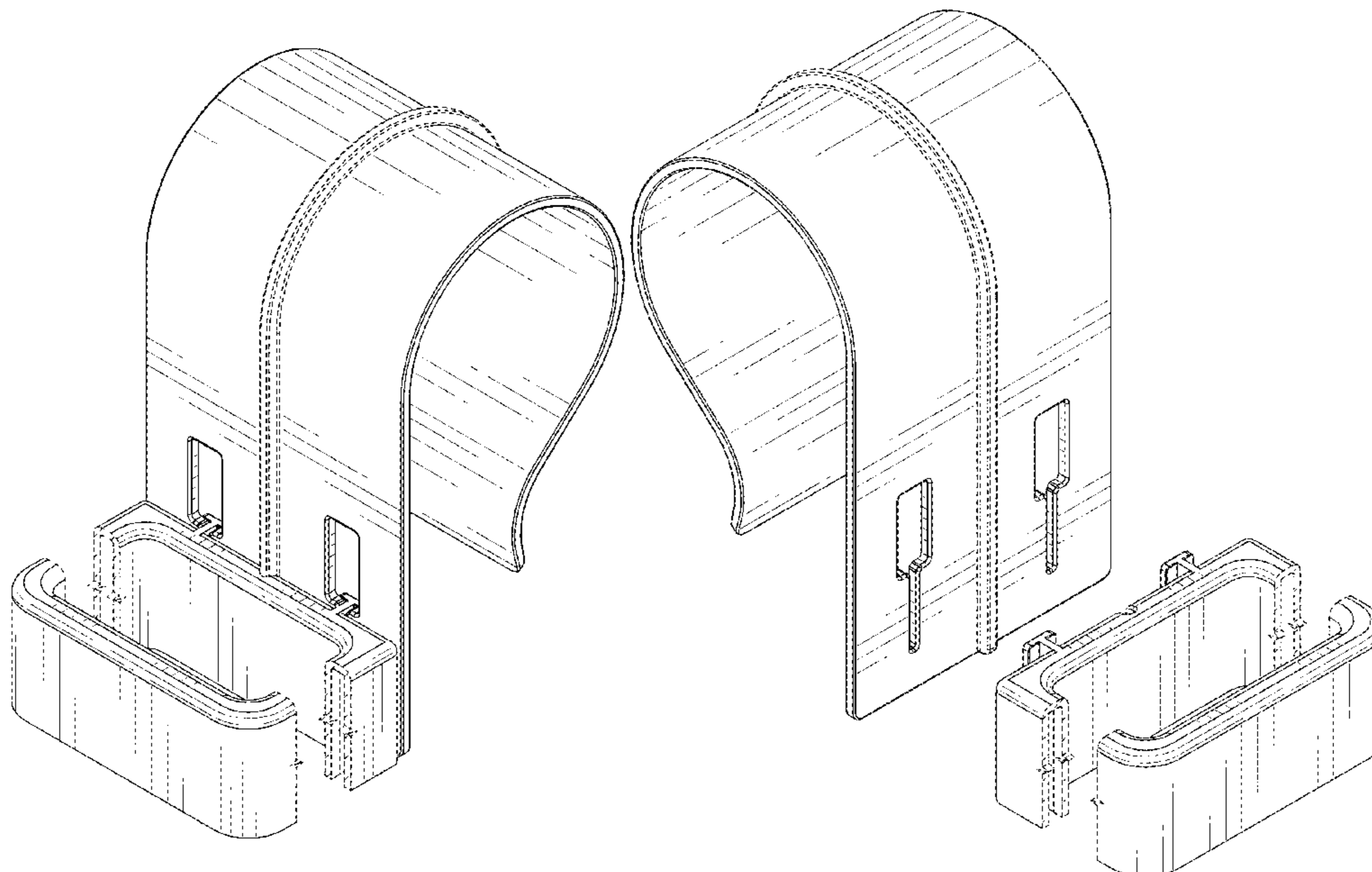
The ornamental design for a bottle holder, as shown and described.

**DESCRIPTION**

FIG. 1 is a front-top-right perspective view of a bottle holder showing my new design;  
 FIG. 2 is a rear-bottom-left perspective view thereof;  
 FIG. 3 is a front elevational view thereof;  
 FIG. 4 is a rear elevational view thereof;  
 FIG. 5 is a top plan view thereof;  
 FIG. 6 is a bottom view thereof;  
 FIG. 7 is a right-side elevational view thereof;  
 FIG. 8 is a left-side elevational view thereof;  
 FIG. 9 is an exploded front-top-left perspective view thereof wherein the hook portion is separate from the holding portion;  
 FIG. 10 is an exploded front-bottom-right perspective view thereof;  
 FIG. 11 is an exploded rear-top-right perspective view thereof; and,  
 FIG. 12 is an exploded rear-bottom-left perspective view thereof.

The broken lines and the areas within them depict portions of the bottle holder that form no part of the claimed design. Each side of the holding portion of the bottle holder includes a symbolic break in its width. The broken lines illustrating the break lines and the appearance of any portion of the article between them form no part of the claimed design.

**1 Claim, 12 Drawing Sheets**



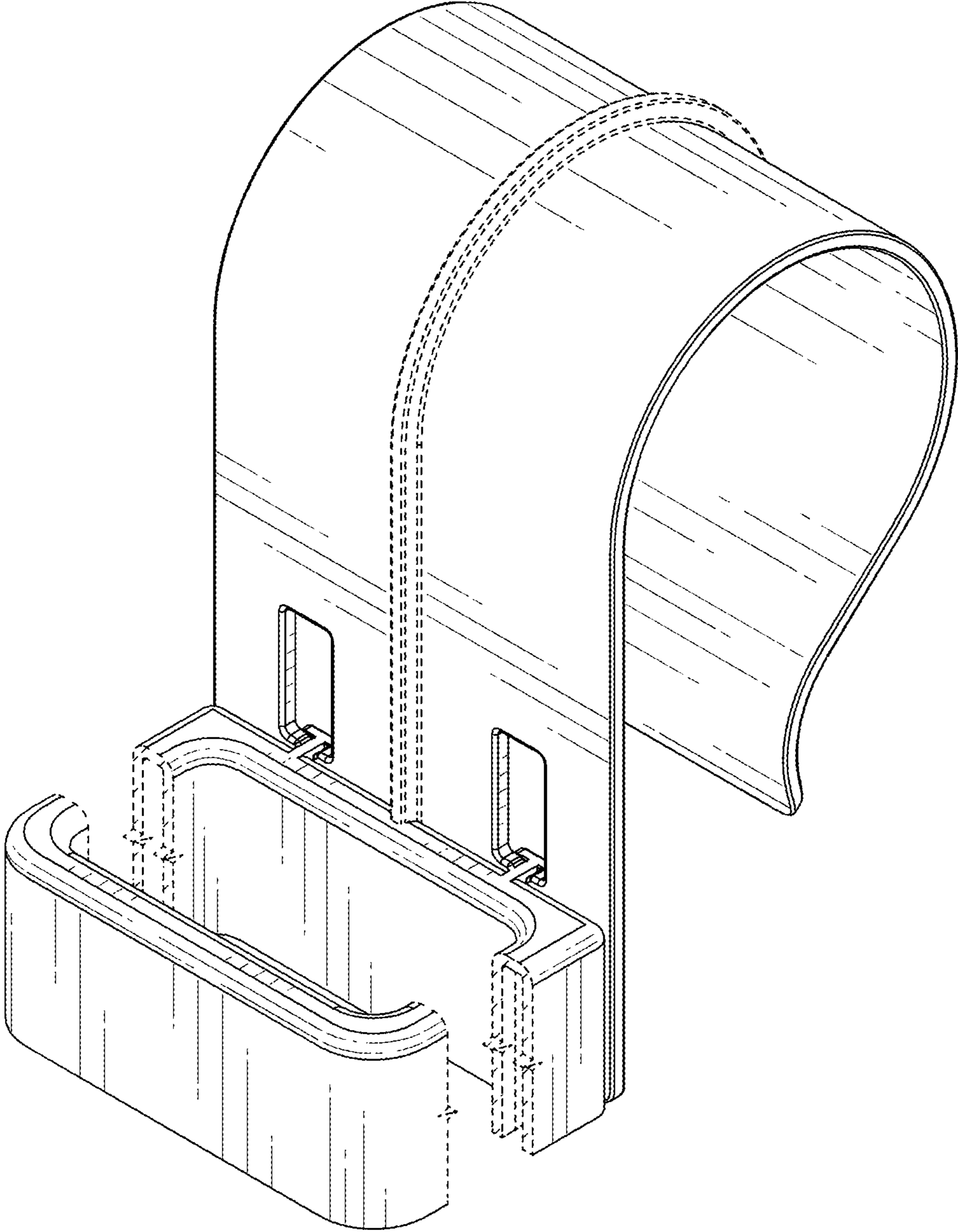


FIG. 1

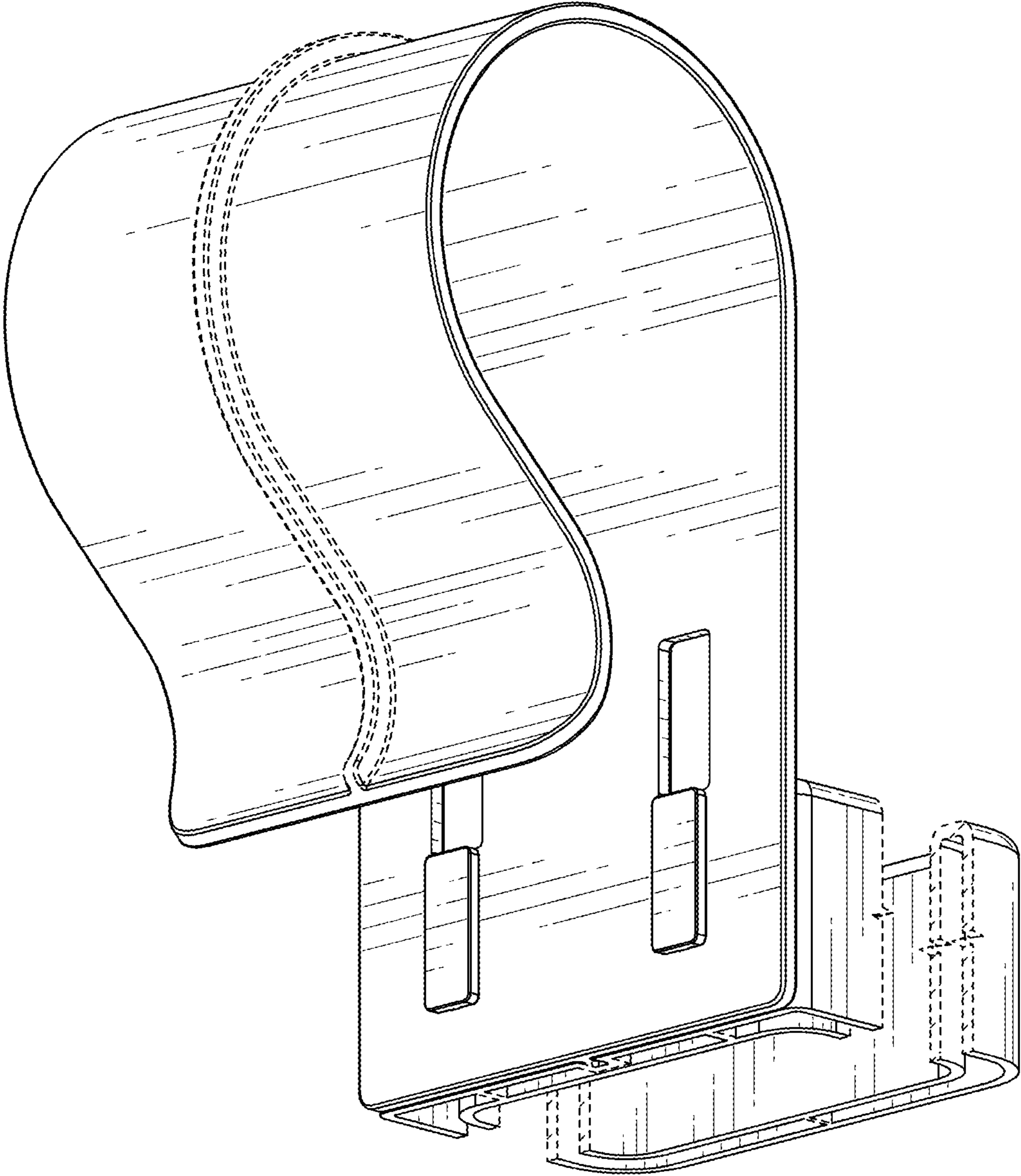


FIG. 2

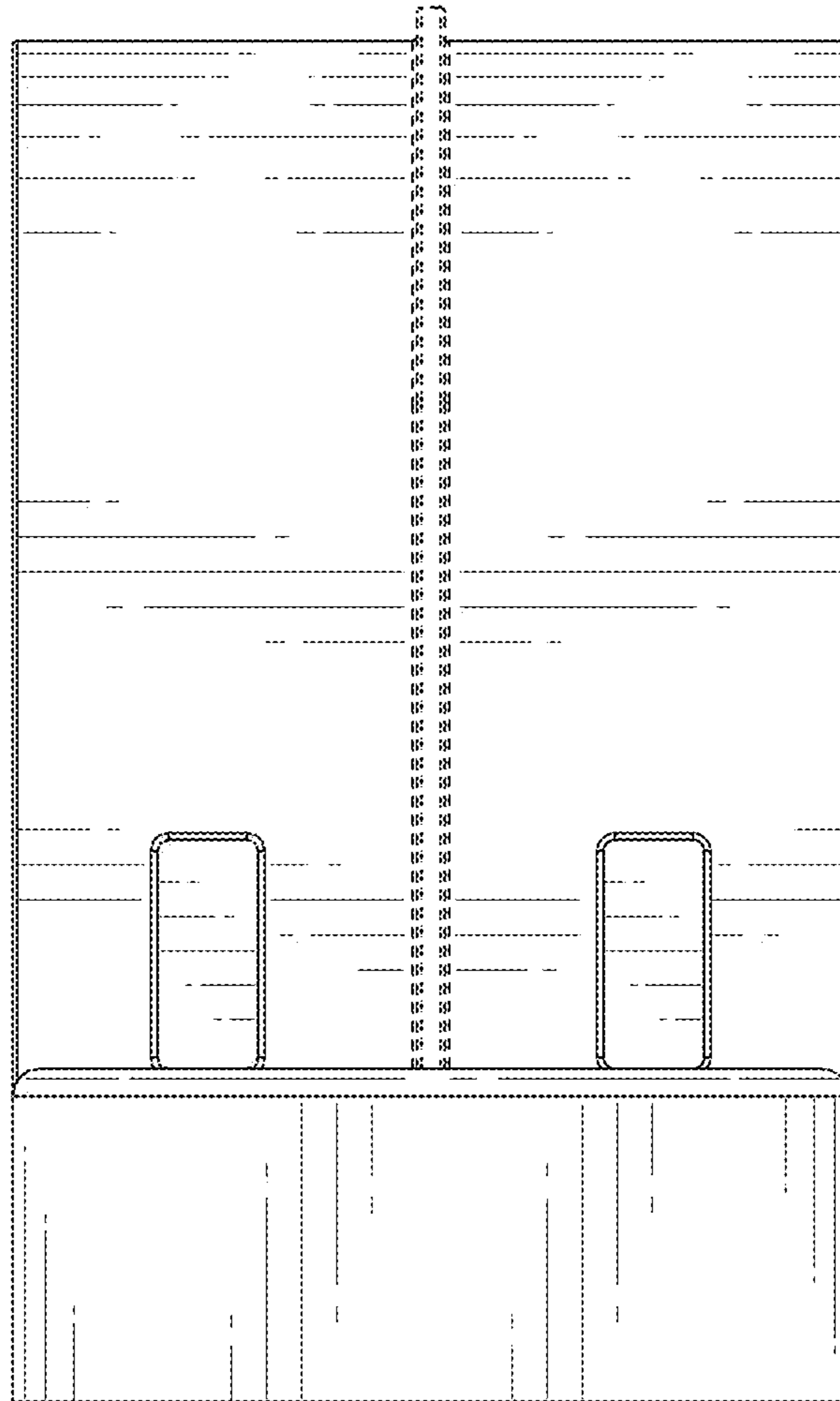


FIG. 3



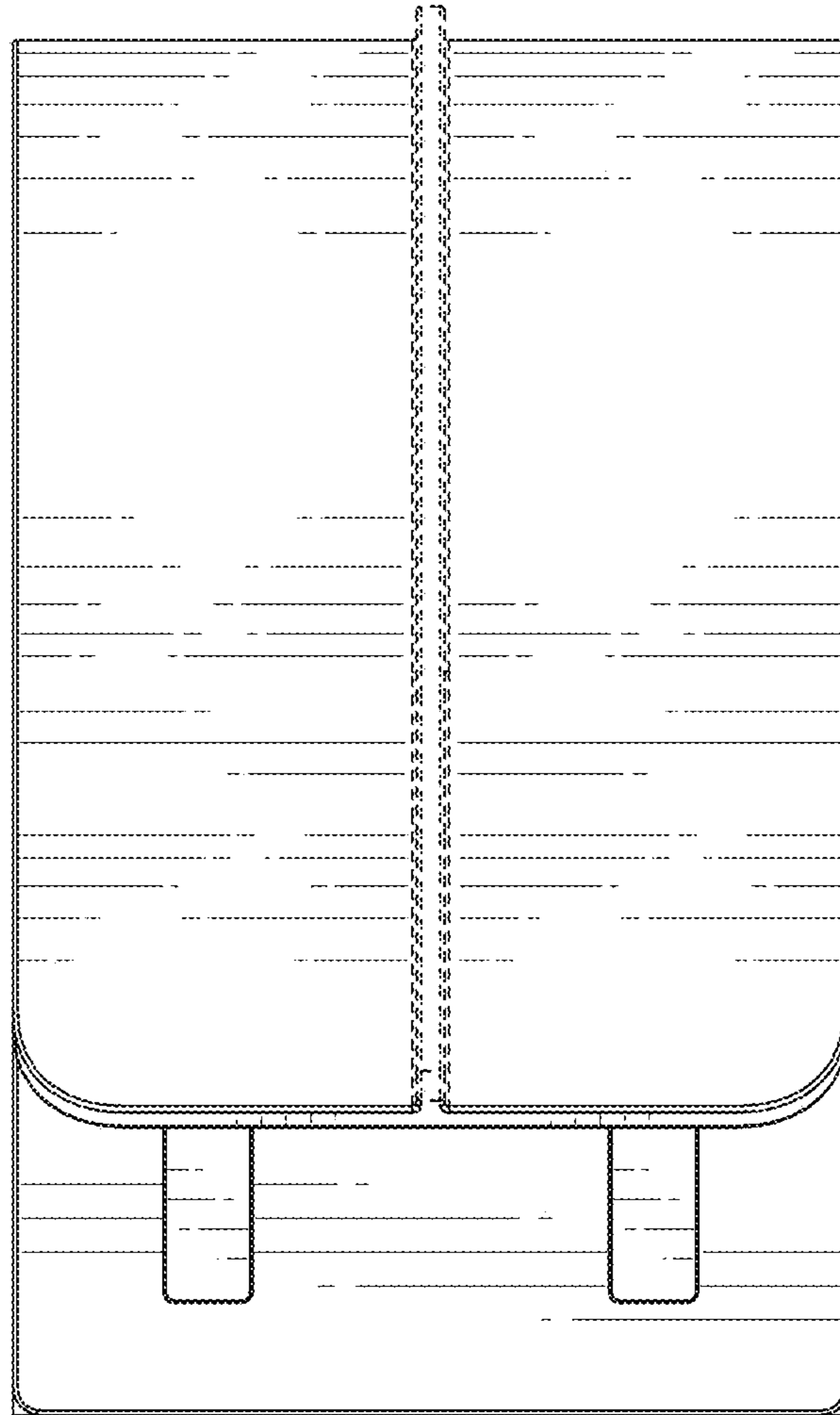


FIG. 4

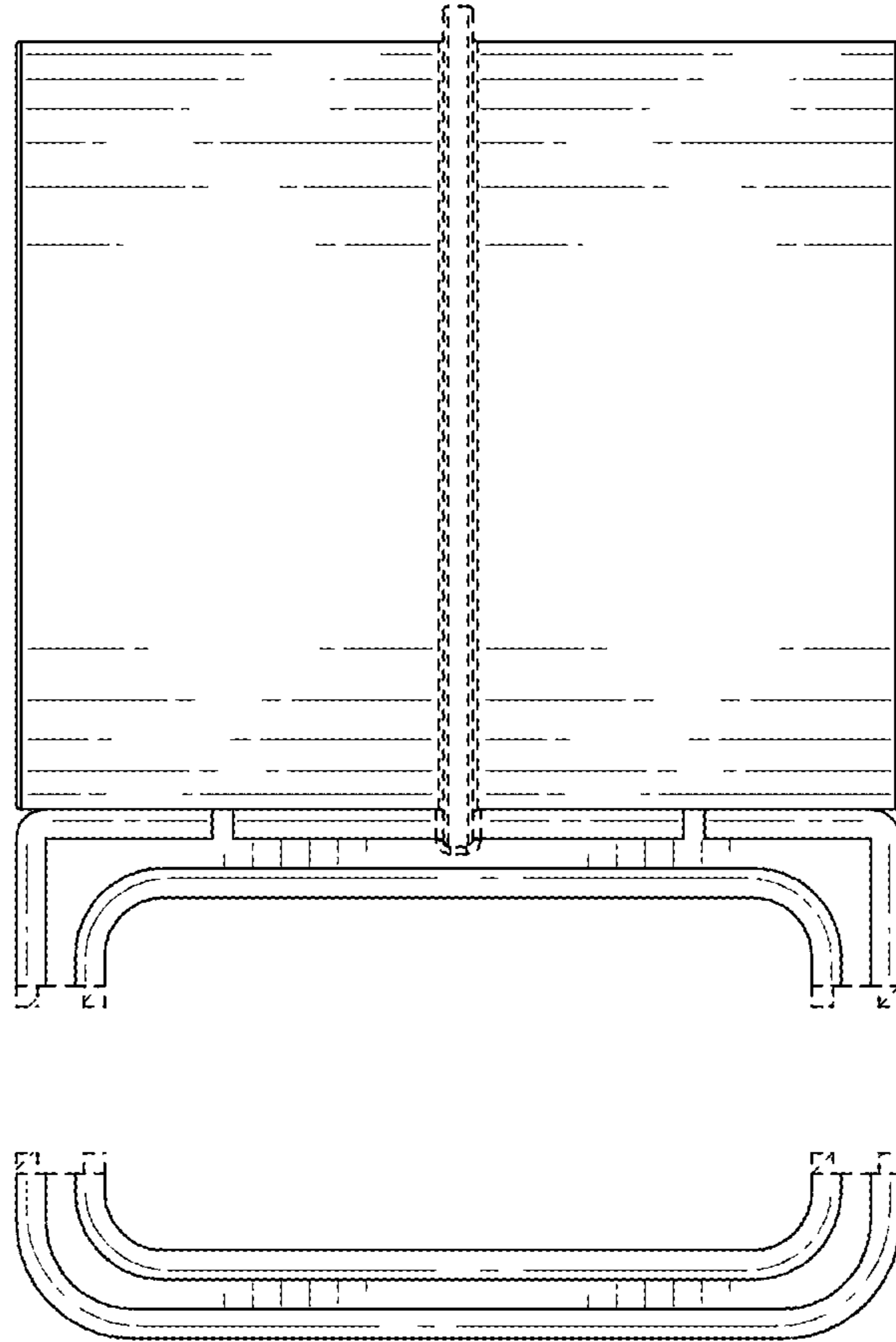


FIG. 5

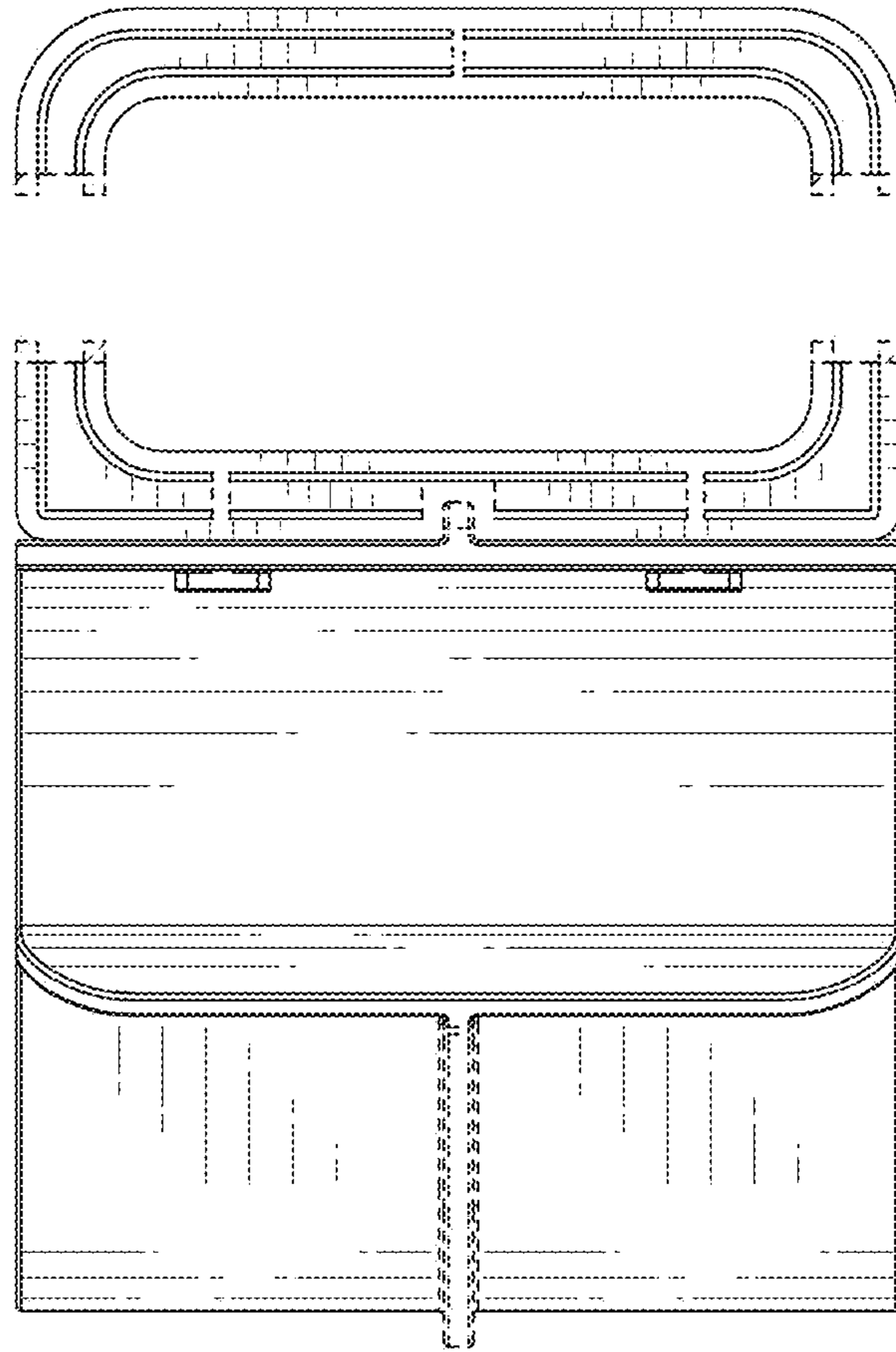


FIG. 6

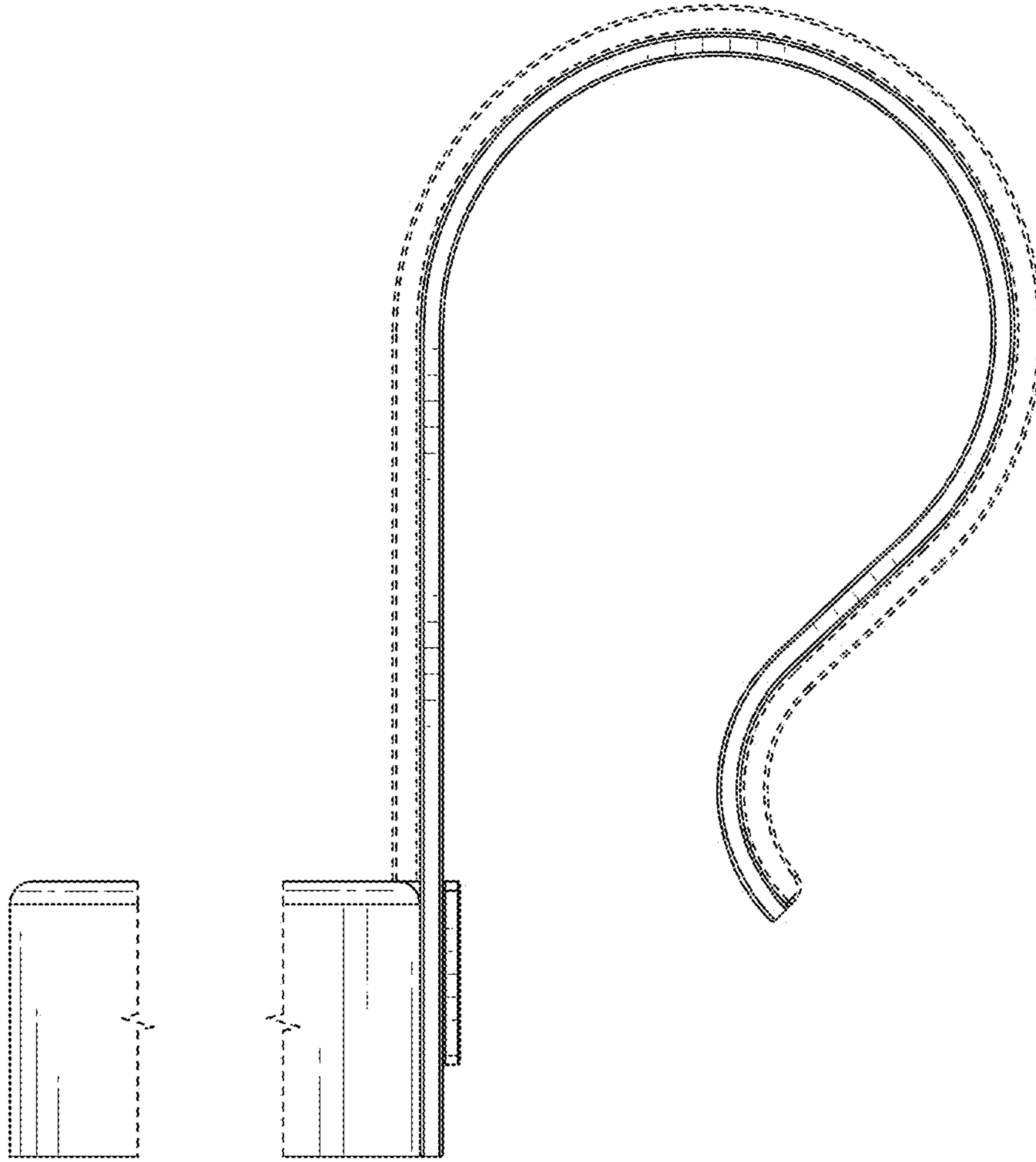


FIG. 7



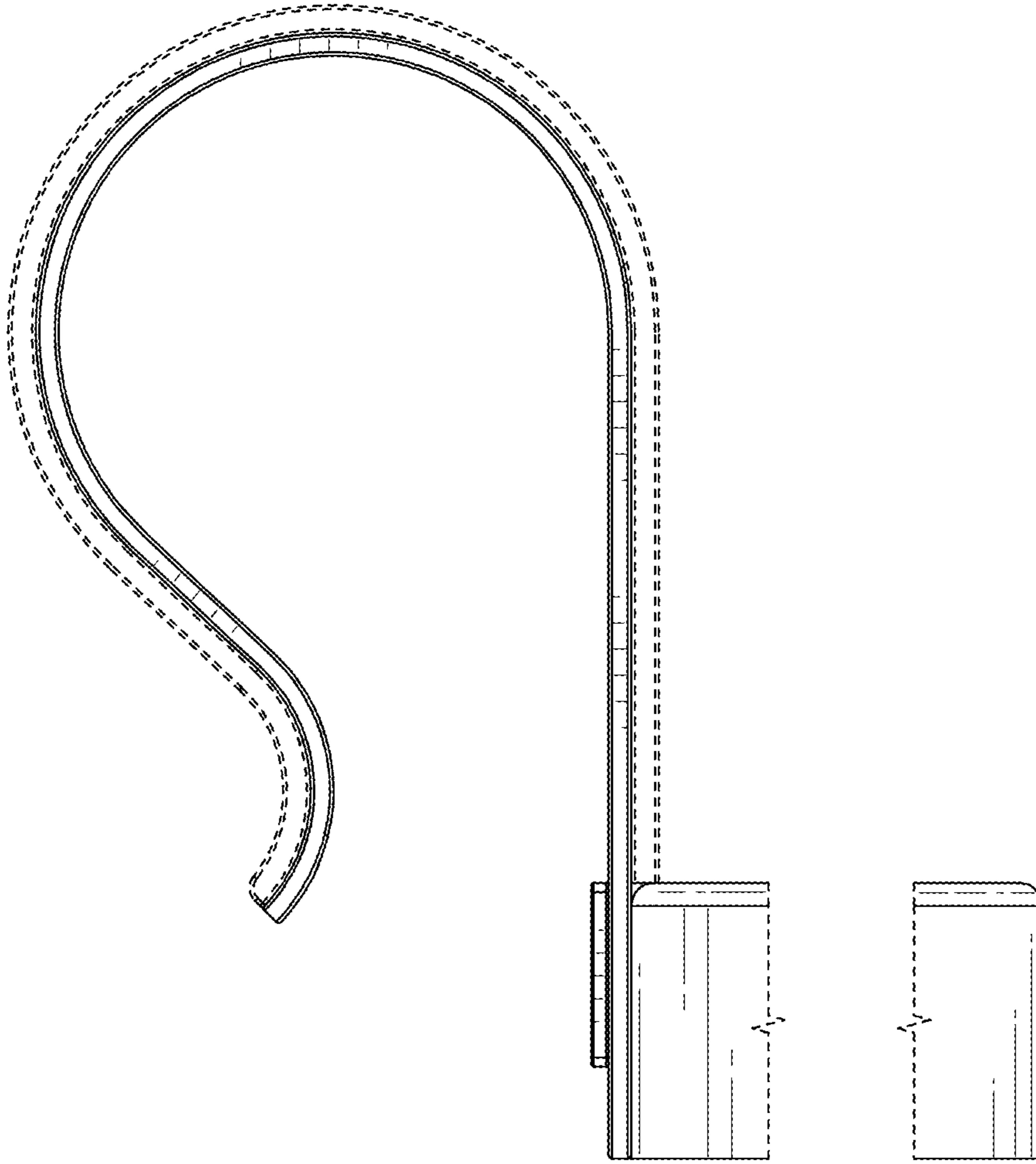


FIG. 8

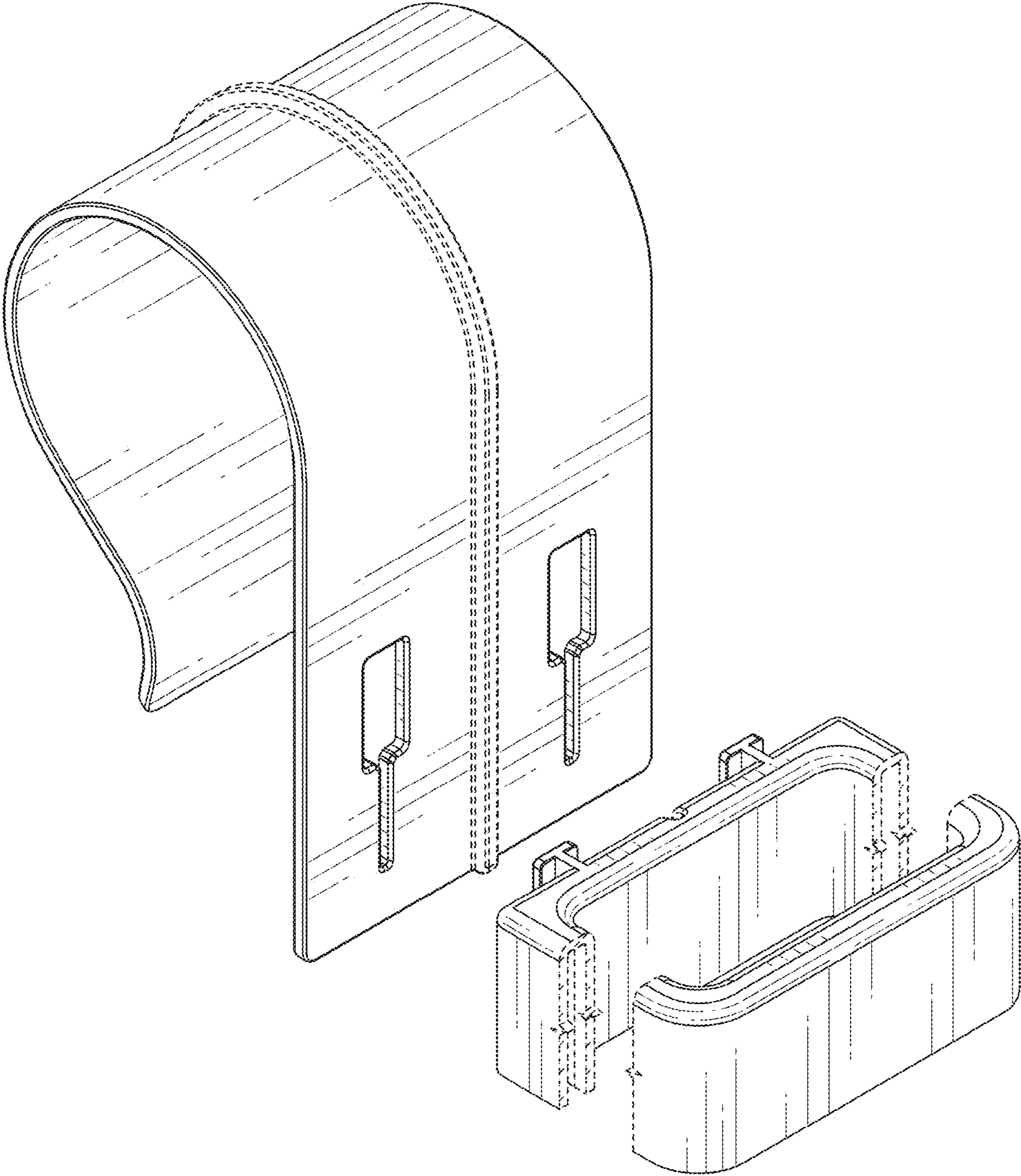


FIG. 9

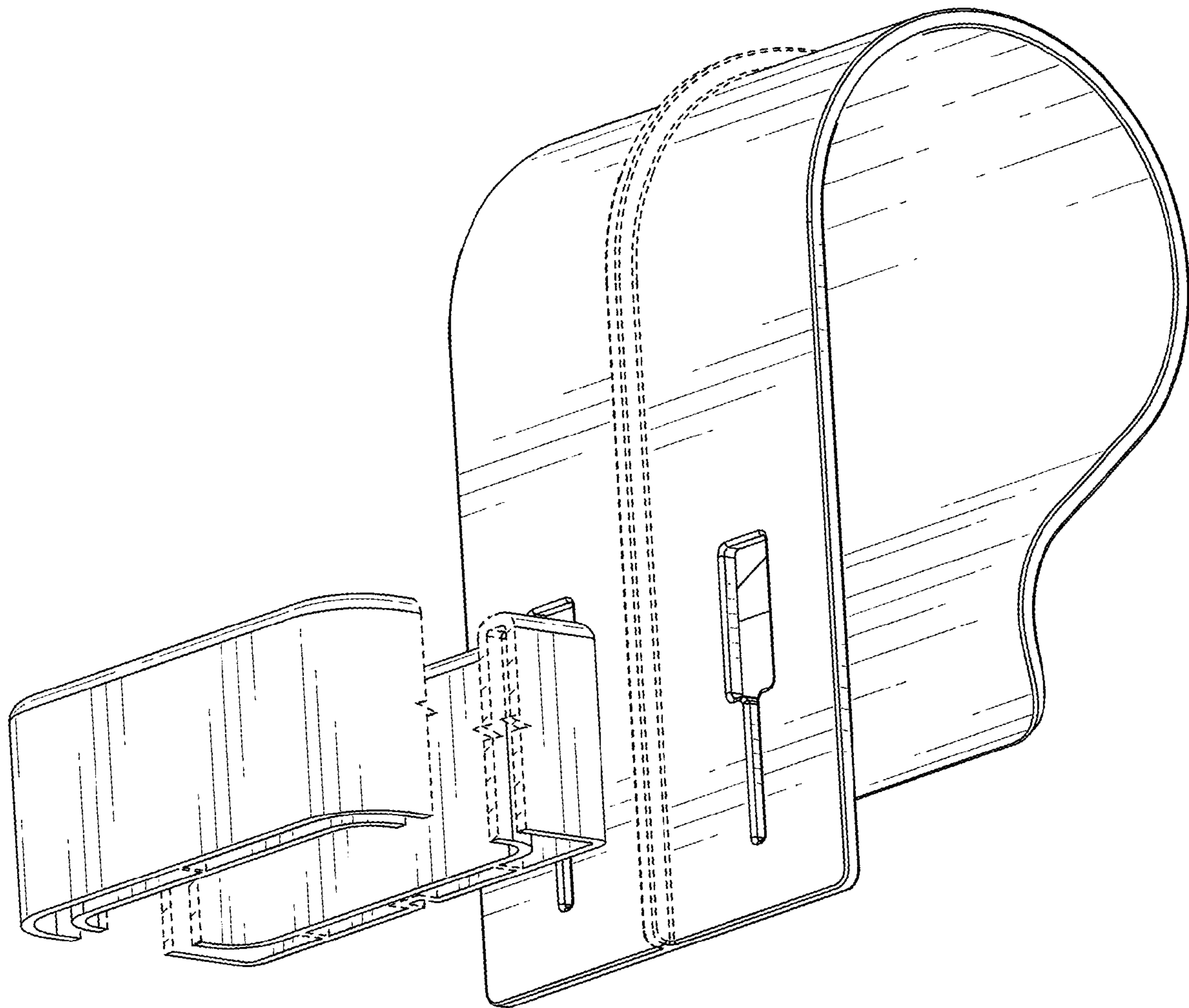


FIG. 10

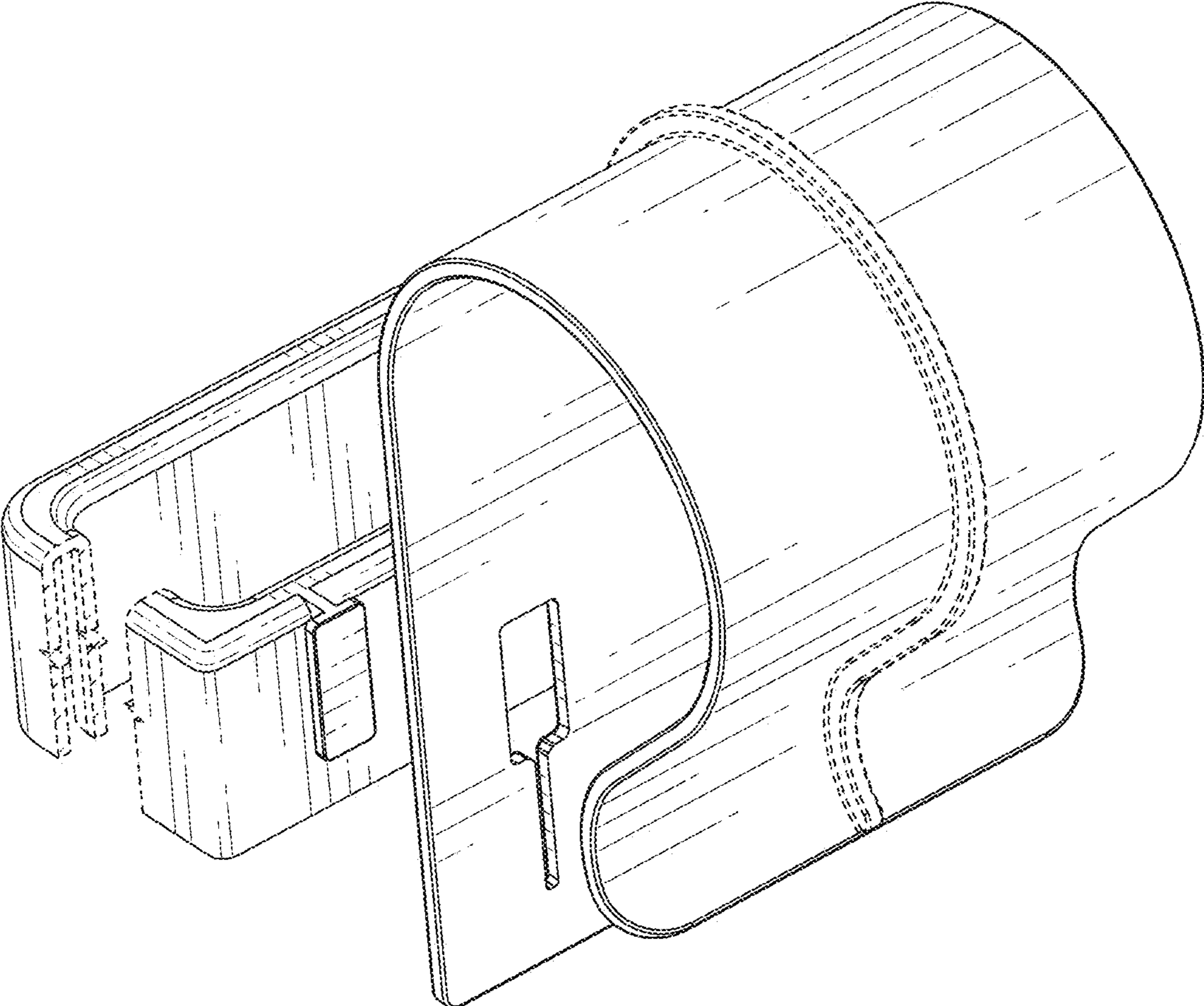


FIG. 11



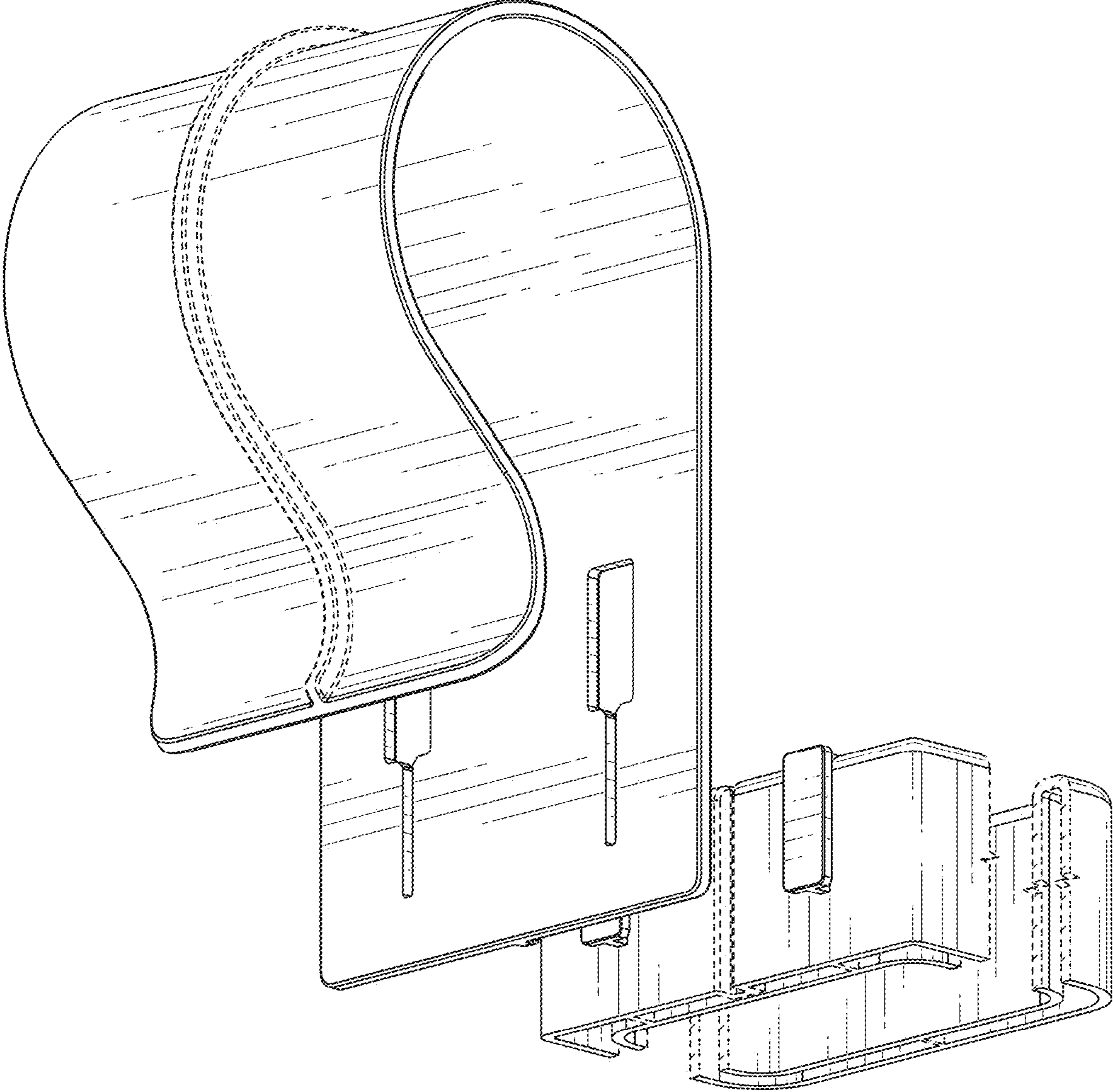


FIG. 12