



US00D889210S

(12) **United States Design Patent** (10) **Patent No.:** **US D889,210 S**
Jones (45) **Date of Patent:** **** Jul. 7, 2020**

(54) **CAKE HOLDER**
(71) Applicant: **Blanche B. Jones**, Henrico, VA (US)
(72) Inventor: **Blanche B. Jones**, Henrico, VA (US)
(**) Term: **15 Years**
(21) Appl. No.: **29/639,732**
(22) Filed: **Mar. 8, 2018**

D238,790 S * 2/1976 Orosz D11/184
D247,557 S * 3/1978 Hemmy D11/184
D249,856 S * 10/1978 Levell D6/692.5
D256,871 S * 9/1980 Snyder D6/680.2
D259,230 S * 5/1981 Snyder D7/501
D279,444 S * 7/1985 McDonald D6/692.3
D285,159 S 8/1986 Wexler
D288,878 S * 3/1987 Munson D6/677.1
4,721,455 A 1/1988 Barfus
D298,859 S 12/1988 Crisci

(Continued)

(51) **LOC (12) Cl.** **07-07**
(52) **U.S. Cl.**
USPC **D7/610**
(58) **Field of Classification Search**
USPC D7/602, 704-705, 707, 590, 592-597,
D7/600.1-600.2, 630-632, 635, 640,
D7/600.3-600.4, 610; D6/524-525, 537,
D6/546, 556, 566, 677.2, 692.4-692.5,
D6/696.3, 520, 534-535; 211/30, 106,
211/106.01, 181.1; D9/681, 761, 741,
D9/747, 737-739, 751, 756-758,
D9/455-456; D3/306; 206/8, 202, 513;
248/146
CPC .. A47F 5/01; A47F 5/02; A47F 7/0064; A47L
19/04; F16M 11/00; A47K 3/281; A47K
1/09; A47B 55/02; A47G 21/001
See application file for complete search history.

FOREIGN PATENT DOCUMENTS

CN 303974591 * 12/2016
KR 300879342.0000 * 11/2016

Primary Examiner — Marissa J Cash
Assistant Examiner — Altaira J Swangin
(74) *Attorney, Agent, or Firm* — Foley & Lardner LLP

(57) **CLAIM**

I claim the ornamental design for a cake holder, as shown and described.

DESCRIPTION

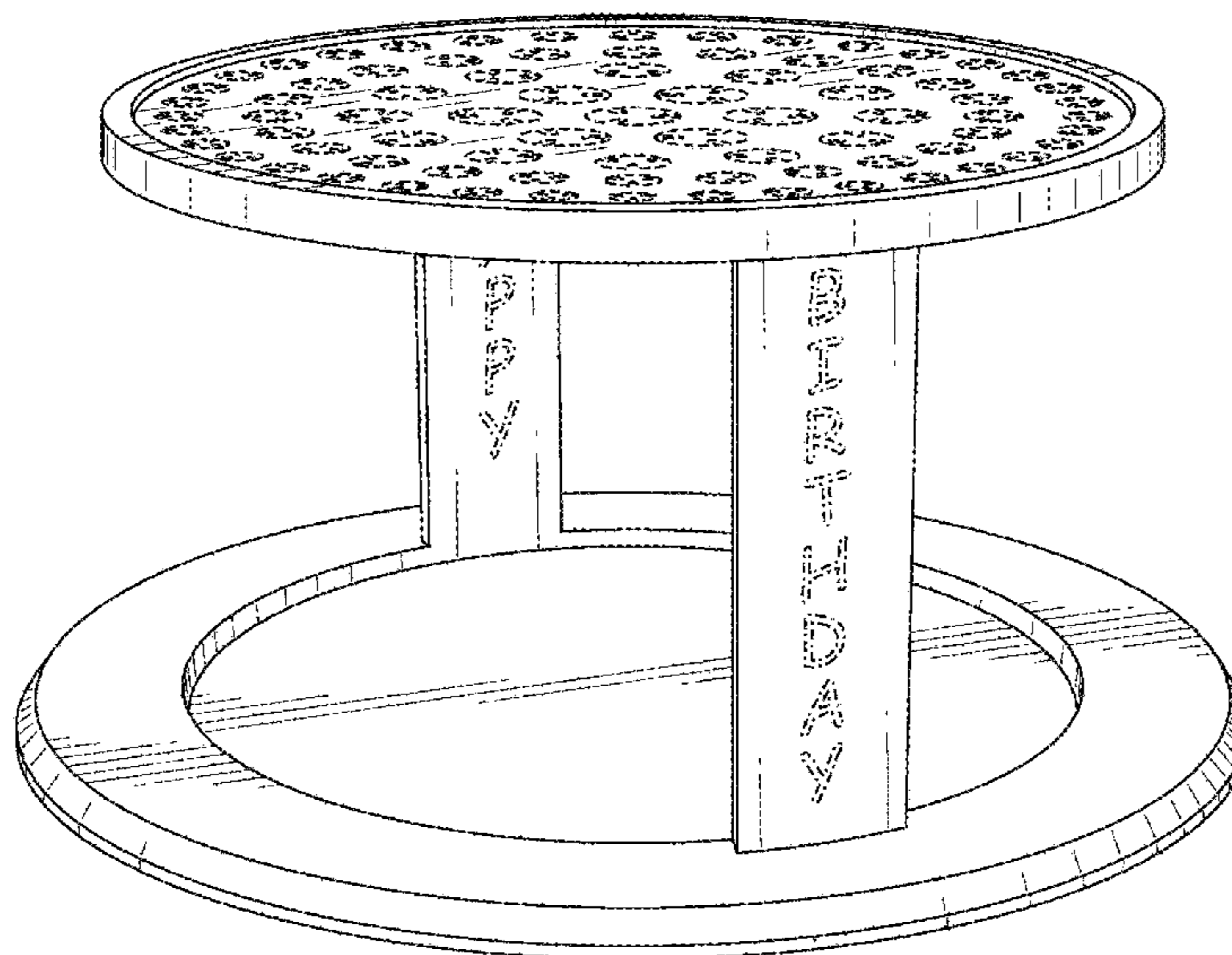
FIG. 1 is a top, right perspective view of a cake holder, showing the claimed design;
FIG. 2 is front view thereof;
FIG. 3 is a rear view thereof;
FIG. 4 is a left side view thereof;
FIG. 5 is a right side view thereof;
FIG. 6 is a top view thereof; and,
FIG. 7 is a bottom view thereof.
The broken lines formed by dashes of equal lengths, within the top surface of the cake holder in FIG. 1 and FIG. 6, illustrate portions of the cake holder that form no part of the claimed design. The additional set of broken lines formed by dashes of unequal lengths, on the sides of the cake holder in FIG. 1, FIG. 4, and FIG. 5, is directed to environment and forms no part of the claimed design.

(56) **References Cited**

U.S. PATENT DOCUMENTS

1,707,539 A * 4/1929 Propp G09F 13/00
108/23
2,178,166 A * 10/1939 Enstrom A47G 19/00
108/101
2,347,041 A * 4/1944 Filsinger B44F 11/00
211/133.1
2,960,770 A * 11/1960 Valenta A47G 19/00
33/1 F
D204,198 S * 3/1966 Lippisch D7/701
D214,848 S * 8/1969 Avedon D7/707
D234,381 S * 2/1975 Berger D6/677.1

1 Claim, 7 Drawing Sheets



(56)

References Cited

U.S. PATENT DOCUMENTS

D301,422 S * 6/1989 Schmidt D19/105
 4,884,966 A 12/1989 Wexler
 4,938,688 A 7/1990 Wexler
 D318,199 S * 7/1991 Brooks, Jr. D7/610
 D323,446 S * 1/1992 Morse D6/680.1
 5,096,274 A 3/1992 Fuschetto et al.
 D333,410 S 2/1993 Panzarello
 D337,026 S 7/1993 Higgins
 D357,160 S * 4/1995 Fritze D6/677.3
 D364,929 S * 12/1995 Bigler D24/230
 5,572,936 A * 11/1996 Chroniger A47G 19/00
 100/101
 5,641,080 A * 6/1997 Humphrey A47B 49/004
 211/163
 D403,441 S 12/1998 Lane
 6,170,961 B1 * 1/2001 Knoch A47G 19/00
 108/23
 D446,083 S 8/2001 Marsh et al.
 6,374,755 B1 * 4/2002 Haase A21C 15/00
 108/101
 6,688,239 B1 * 2/2004 Pettini A47B 7/02
 108/50.11
 D549,985 S * 9/2007 Carroll D6/405
 7,275,837 B1 * 10/2007 Pusha A47G 19/00
 362/154
 7,287,870 B1 * 10/2007 Knoch G09F 13/04
 362/806
 D558,526 S * 1/2008 Molina D7/550.1
 D568,690 S * 5/2008 Brothers D7/601
 D627,191 S * 11/2010 Fain D7/368
 D637,842 S * 5/2011 Kraemer D6/534

D639,093 S * 6/2011 Kraemer D6/534
 D639,094 S * 6/2011 Kraemer D6/534
 D639,095 S * 6/2011 Kraemer D6/534
 D648,165 S * 11/2011 Michnuk D6/534
 8,372,634 B2 * 2/2013 Lin A01N 1/0236
 211/144
 8,516,967 B2 * 8/2013 Jeffery A21C 15/00
 108/101
 D716,593 S * 11/2014 Rubio D11/144
 D743,708 S * 11/2015 Cohen D6/349
 D745,785 S * 12/2015 Cohen D6/349
 D749,863 S * 2/2016 Cohen D6/349
 D751,323 S * 3/2016 Colangelo, IV D6/677.1
 D774,887 S * 12/2016 Torrison D9/416
 D786,593 S * 5/2017 Almaghlouth D6/692.4
 D803,007 S * 11/2017 Liao D7/610
 D815,865 S * 4/2018 Gauggel D6/677
 D853,788 S * 7/2019 Zeng D7/501
 D854,250 S * 7/2019 Huang D28/73
 D864,045 S * 10/2019 Weiss D12/130
 10,433,677 B1 * 10/2019 Huynh A47K 1/09
 2003/0136277 A1 7/2003 Okros
 2005/0056162 A1 3/2005 Milligan et al.
 2006/0078838 A1 * 4/2006 McLemore A21C 15/00
 431/253
 2006/0096170 A1 * 5/2006 Wright A01G 5/04
 47/41.01
 2009/0053663 A1 2/2009 Okros
 2009/0057249 A1 * 3/2009 Donnellan A47B 49/00
 211/77
 2009/0181335 A1 7/2009 Tropeano
 2014/0091087 A1 * 4/2014 Vollano A47J 47/14
 220/4.27
 2014/0272743 A1 9/2014 Hill

* cited by examiner

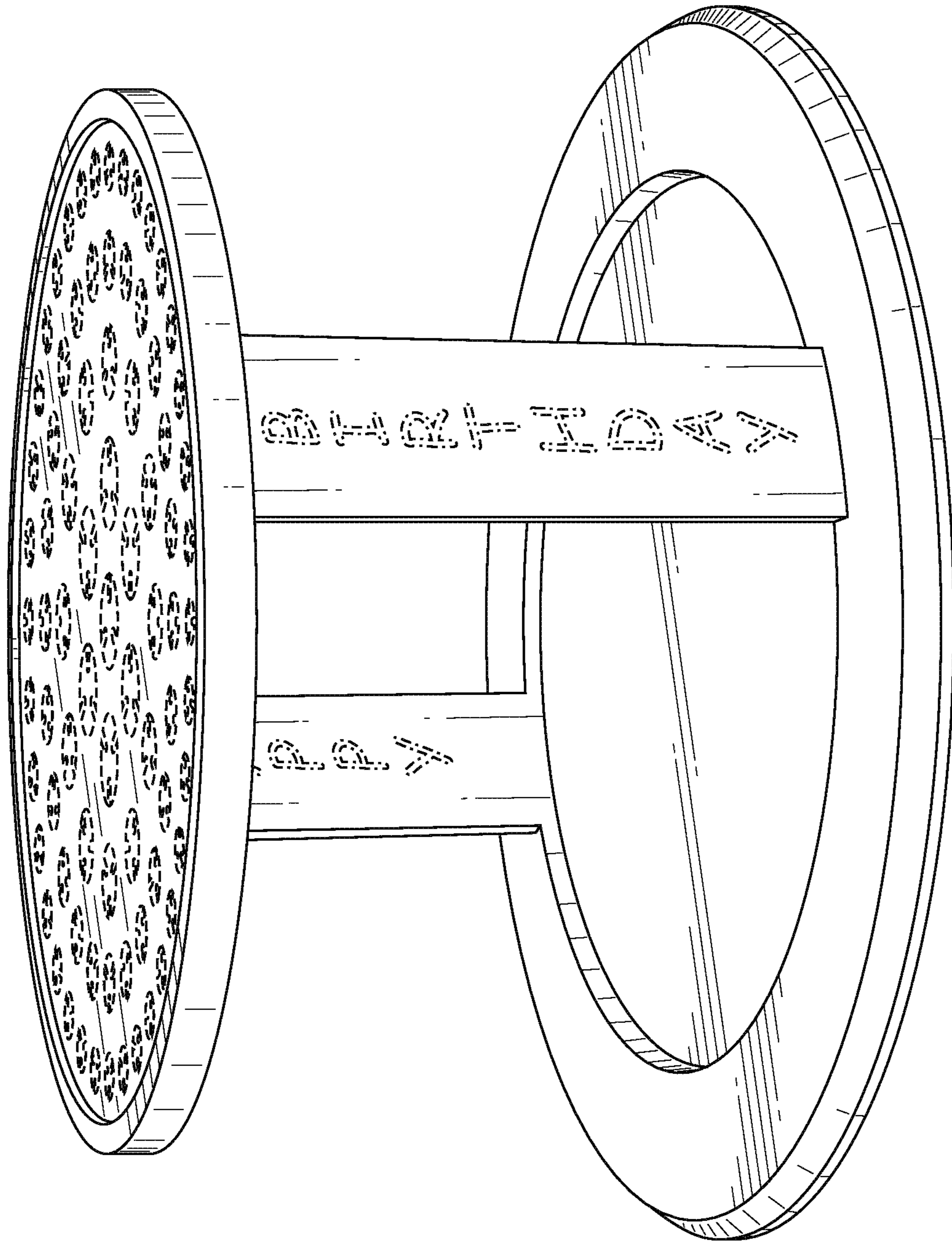


FIG. 1

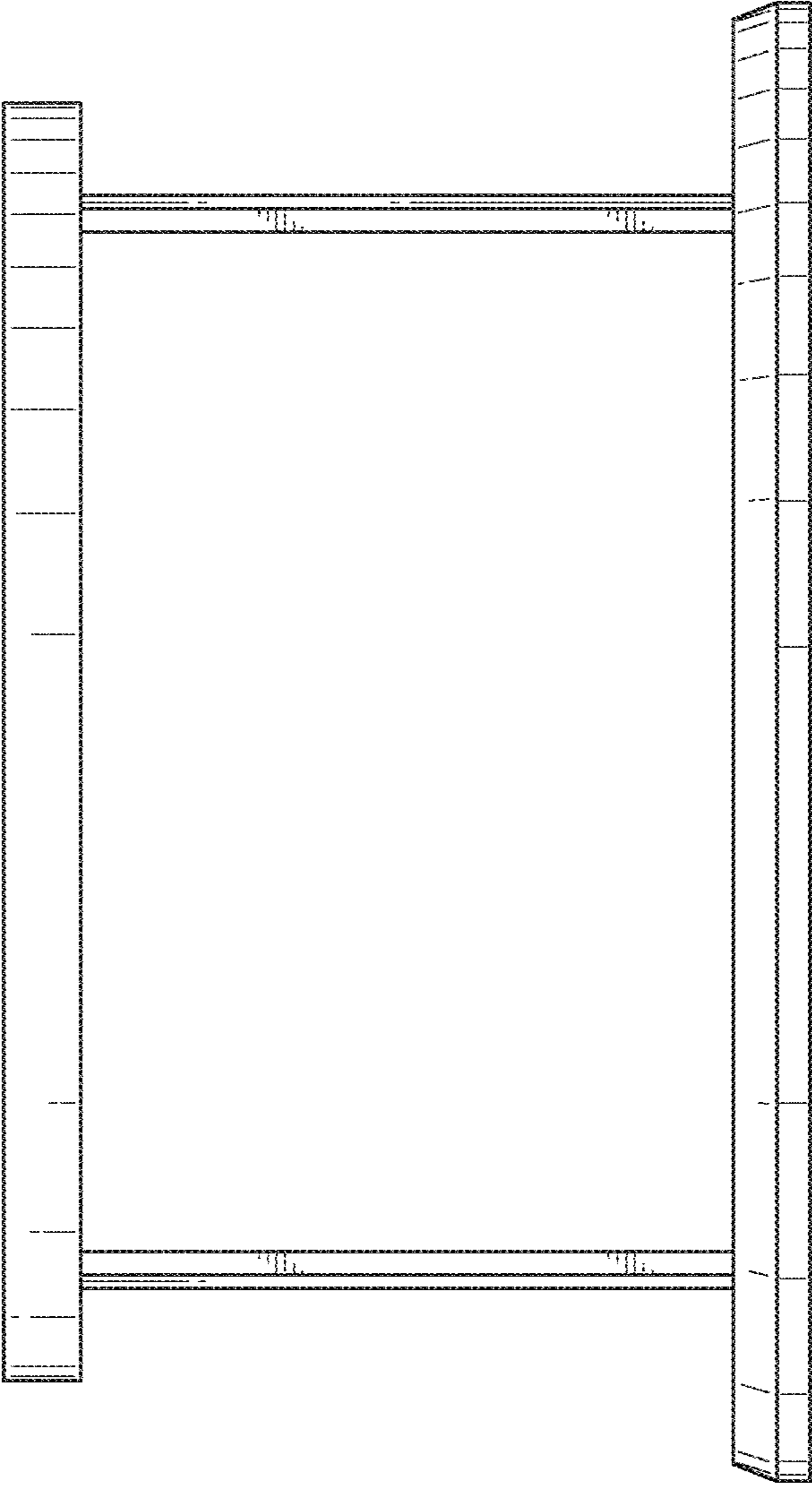


FIG. 2

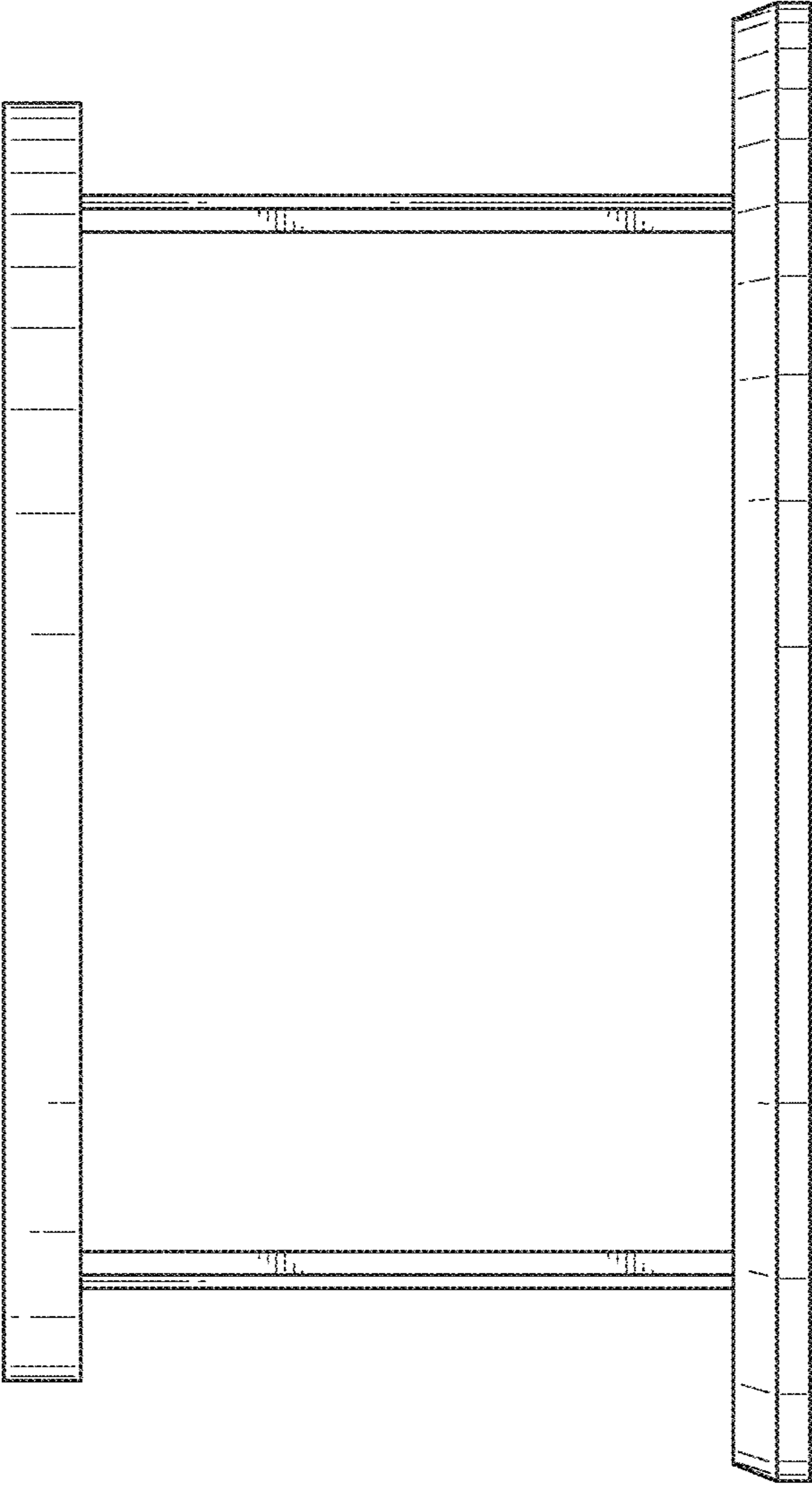


FIG. 3

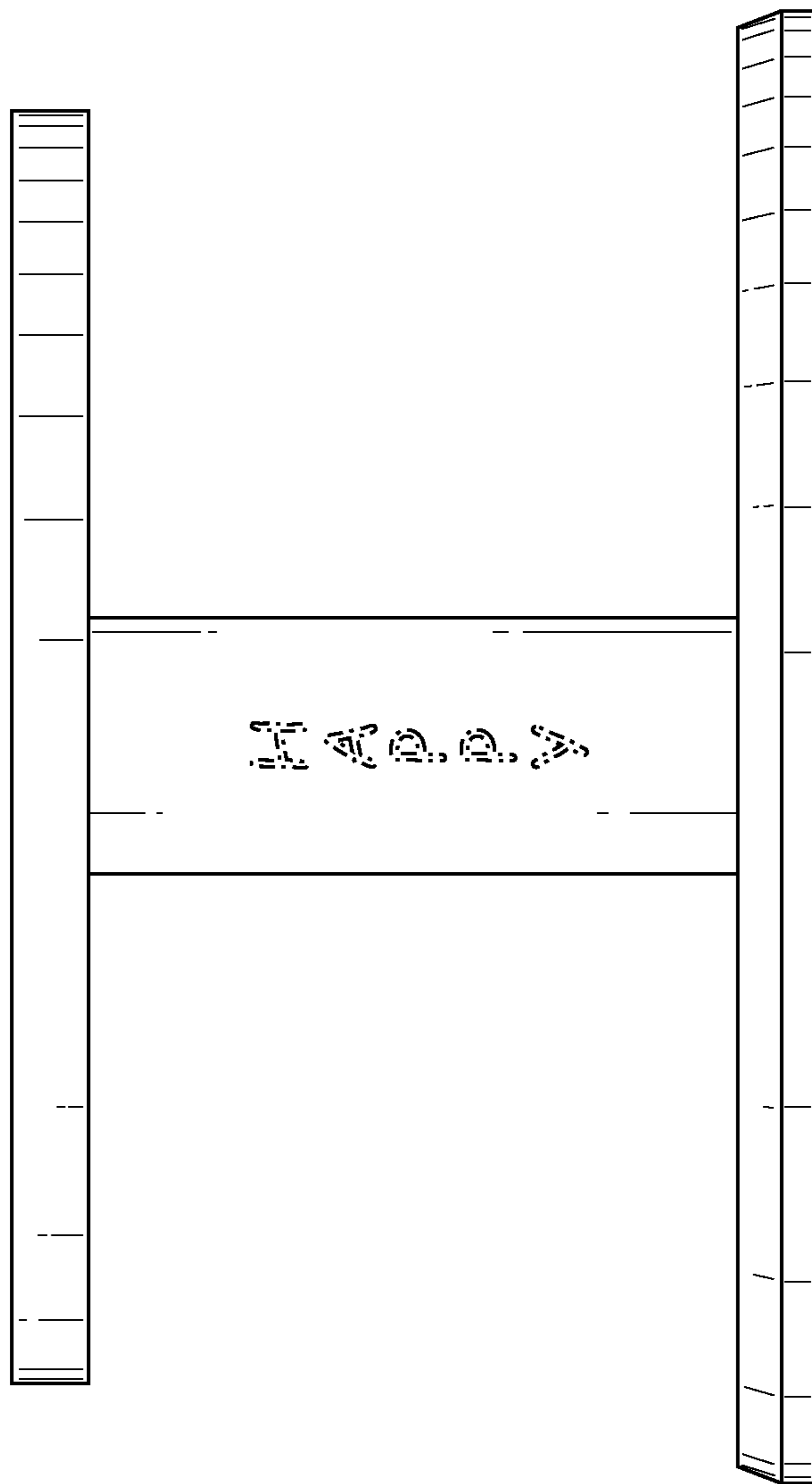


FIG. 4

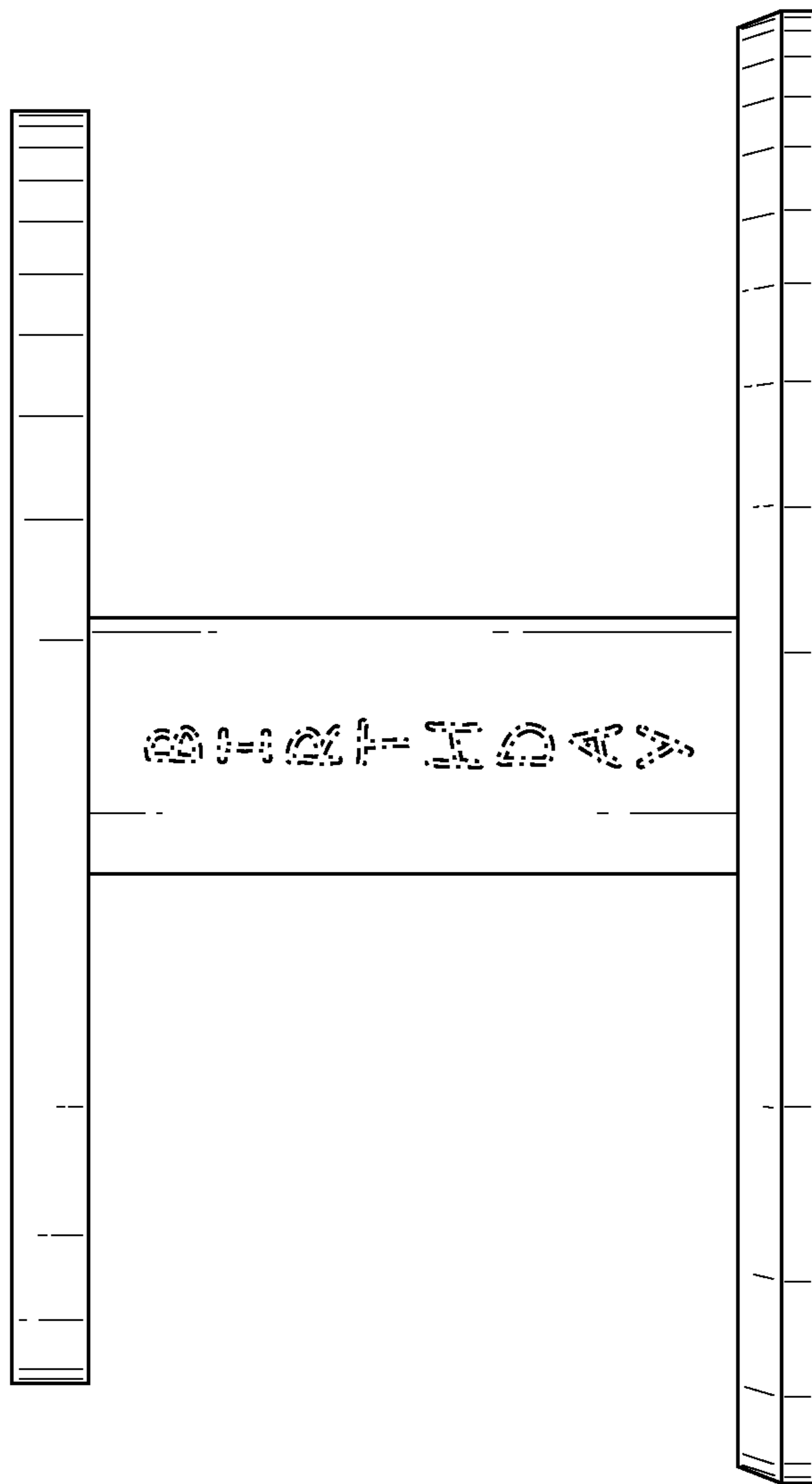


FIG. 5

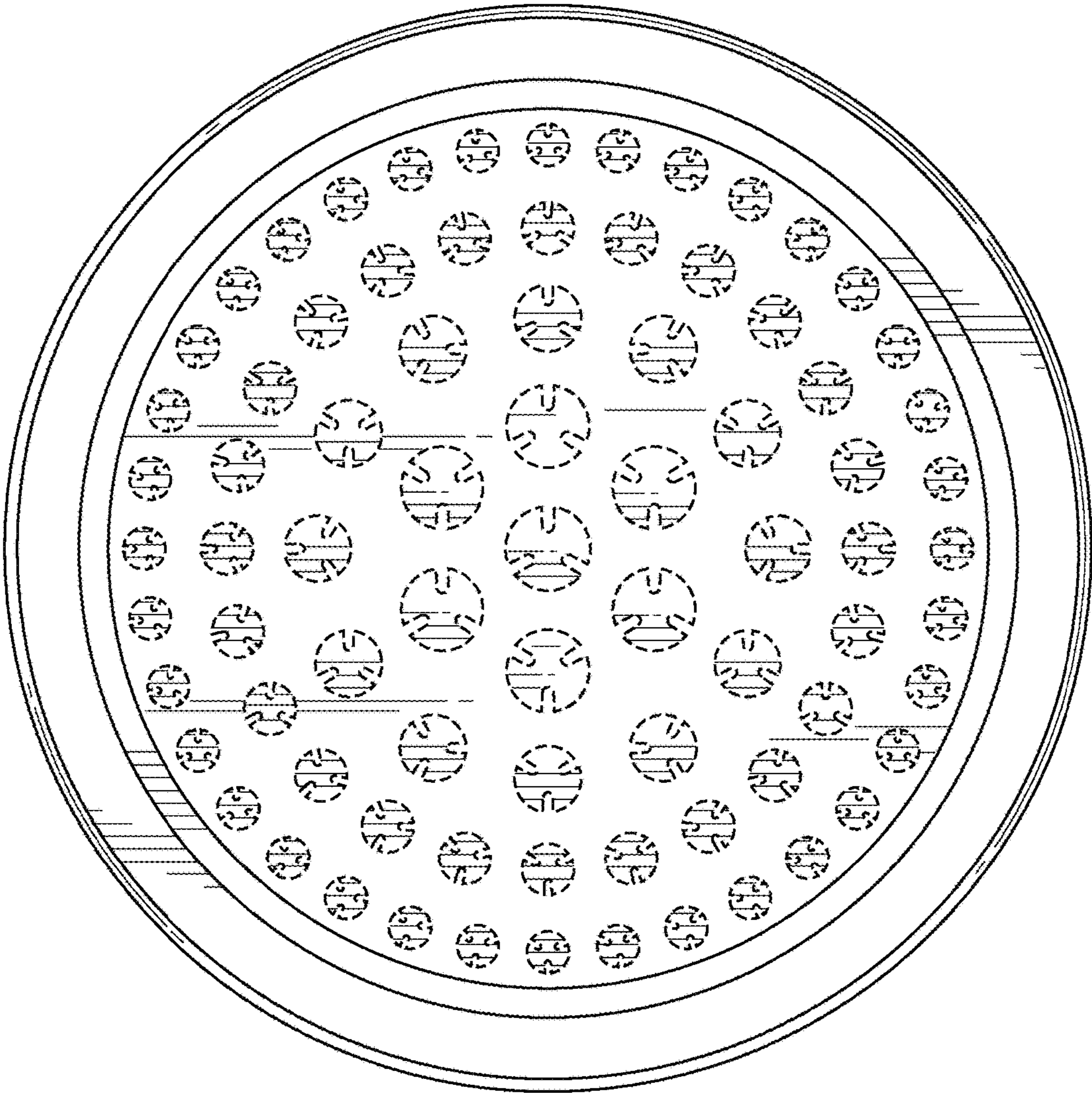


FIG. 6

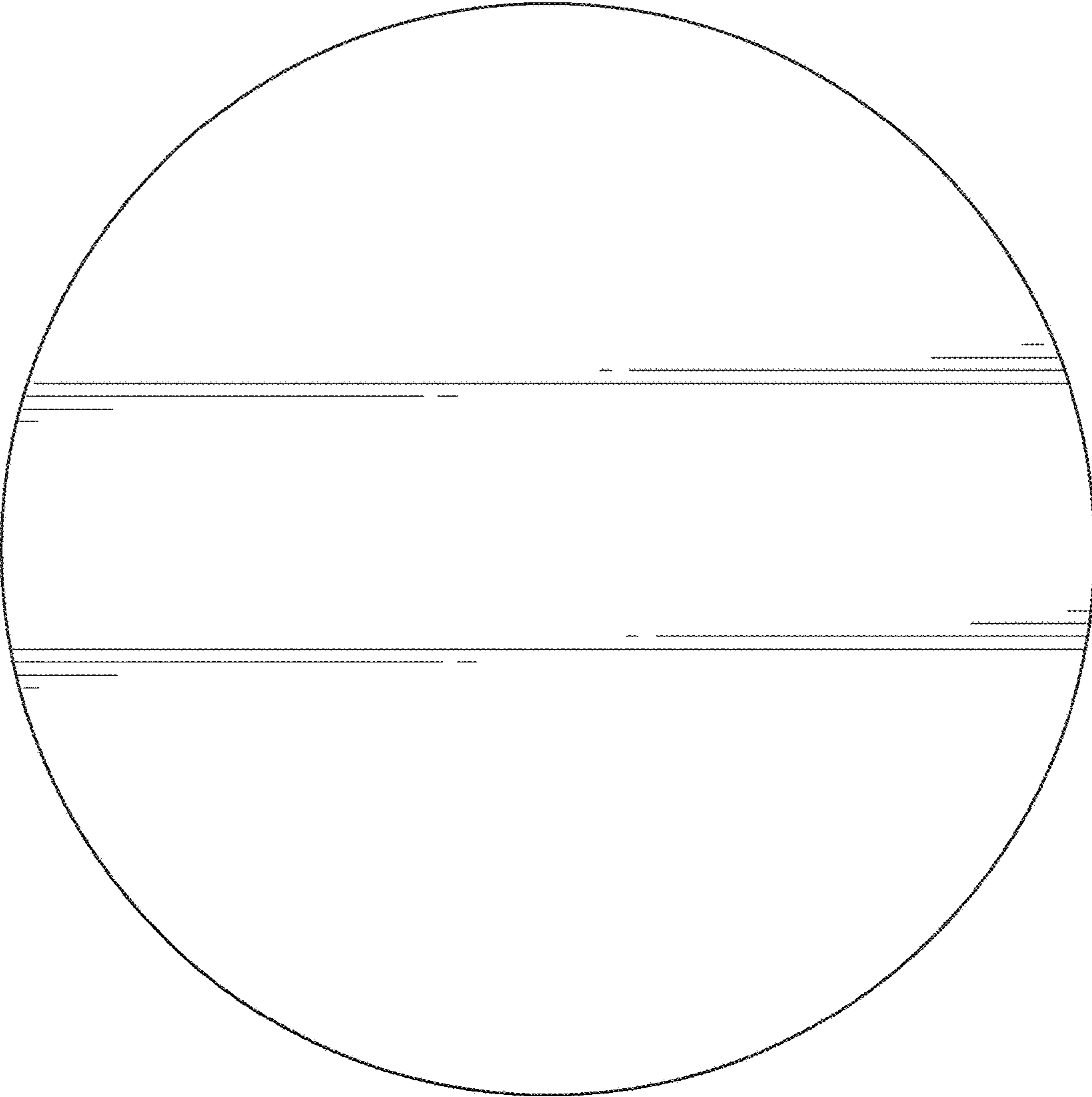


FIG. 7