



US00D889209S

(12) **United States Design Patent** (10) **Patent No.:** **US D889,209 S**  
**Campbell et al.** (45) **Date of Patent:** **\*\* Jul. 7, 2020**

(54) **CONTAINER ENCLOSURE**

FOREIGN PATENT DOCUMENTS

(71) Applicant: **CAMCAL ENTERPRISES, LLC**,  
Phoenix, AZ (US)

DE 4126215 A1 2/1993  
DE 102004025620 A1 2/2006

(Continued)

(72) Inventors: **Matthew T. Campbell**, Cave Creek,  
AZ (US); **Adam Callinan**, Manhattan  
Beach, CA (US)

OTHER PUBLICATIONS

(73) Assignee: **Camcal Enterprises, LLC**, Phoenix,  
AZ (US)

Back2Tap, [online], Reusable Bottles posted on Jan. 6, 2011,  
retrieved on Jan. 28, 2019. Retrieved from, <URL: <http://www.back2tap.com/tag/stainless-steel-water-bottles/>>, 3 pages.

(Continued)

(\*\*) Term: **15 Years**

*Primary Examiner* — Terry A Wallace

(21) Appl. No.: **29/714,002**

(74) *Attorney, Agent, or Firm* — Quarles & Brady LLP

(22) Filed: **Nov. 20, 2019**

(57) **CLAIM**

The ornamental design for a container enclosure, as shown  
and described.

**Related U.S. Application Data**

**DESCRIPTION**

(63) Continuation of application No. 29/688,748, filed on  
Apr. 24, 2019, now Pat. No. Des. 869,909, which is  
(Continued)

(51) **LOC (12) Cl.** ..... **07-01**

(52) **U.S. Cl.**  
USPC ..... **D7/608**

(58) **Field of Classification Search**  
USPC ..... D7/605–608, 509, 510, 511;  
D9/500–505, 443, 516, 532, 522, 558  
CPC ..... A47G 19/2205; A47G 2019/2294; A47G  
19/23; A47G 19/2272; A47G 23/0241;  
A47G 23/02; A47J 41/02; A47J 41/022;  
A47J 41/024; A47J 41/026; A47J 41/028;  
(Continued)

FIG. 1 is an isometric view of a front, top, and right side of  
an ornamental design for a container enclosure;  
FIG. 2 is a front elevational view of the container enclosure  
of FIG. 1;  
FIG. 3 is a rear elevational view of the container enclosure  
of FIG. 1;  
FIG. 4 is a right side elevational view of the container  
enclosure of FIG. 1;  
FIG. 5 is a left side elevational view of the container  
enclosure of FIG. 1;  
FIG. 6 is a top plan view of the container enclosure of FIG.  
1; and,  
FIG. 7 is a bottom plan view of the container enclosure of  
FIG. 1.

The dash-dash-dash lines are for the purpose of illustrating  
environmental structure and form no part of the claimed  
design. The dash-dot-dash line forms no part of the claimed  
design and represents a boundary line.

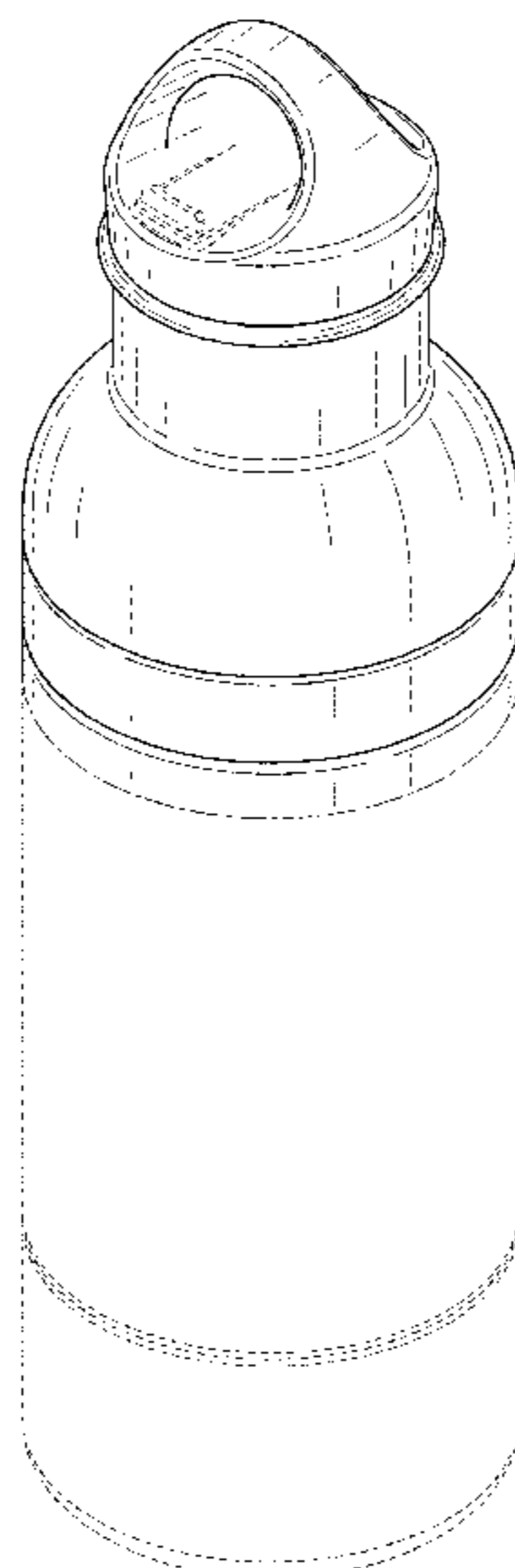
(56) **References Cited**

U.S. PATENT DOCUMENTS

441,228 A 11/1890 Cherbonnier  
460,918 A 10/1891 Kraetzer

(Continued)

**1 Claim, 4 Drawing Sheets**



**Related U.S. Application Data**

a continuation of application No. 29/670,065, filed on Nov. 13, 2018, now Pat. No. Des. 852,001.

(58) **Field of Classification Search**

CPC ... A47J 41/00; A47J 41/0077; B65D 81/3823; B65D 81/3818; B65D 81/3846; B65D 81/3837; B65D 81/3839; B65D 81/3841; B65D 81/3844; B65D 81/3879; B65D 81/3888; B65D 81/3876; A45C 11/20

See application file for complete search history.

(56) **References Cited**

U.S. PATENT DOCUMENTS

2,163,568 A 6/1939 Schlumbohm  
 2,889,065 A 6/1959 Lawlor  
 2,963,187 A \* 12/1960 Bramming ..... A47J 41/02  
 215/12.1  
 3,120,319 A 2/1964 Buddrus  
 3,229,840 A 1/1966 Filleul  
 3,308,980 A 3/1967 Taylor  
 3,335,891 A 8/1967 Bailey  
 4,444,324 A 4/1984 Grenell  
 4,510,769 A \* 4/1985 McClellan, Jr. ... B65D 81/3879  
 215/12.1  
 D279,346 S \* 6/1985 Ruxton ..... D7/321  
 4,690,300 A 9/1987 Woods  
 4,768,664 A 9/1988 Zimmermann  
 4,811,858 A 3/1989 Augur  
 4,823,974 A 4/1989 Crosser  
 D321,628 S \* 11/1991 Kobayashi ..... D7/608  
 5,186,350 A 2/1993 McBride  
 5,213,215 A 5/1993 Prevot  
 5,261,554 A 11/1993 Forbes  
 5,417,327 A 5/1995 Saumure  
 5,635,232 A 6/1997 Wallace  
 5,695,090 A 12/1997 Burdick  
 5,745,626 A 4/1998 Duck et al.  
 5,904,267 A 5/1999 Thompson  
 D410,548 S 6/1999 Chomik  
 5,975,337 A 11/1999 Hadley  
 5,992,677 A 11/1999 Ebine  
 6,427,863 B1 8/2002 Nichols  
 6,467,644 B1 10/2002 Yeh  
 6,604,649 B1 \* 8/2003 Campi ..... B65D 81/3886  
 220/592.17  
 D495,208 S 8/2004 Putnam  
 6,793,076 B1 9/2004 Luo et al.  
 D512,874 S 12/2005 Poulson et al.  
 D543,791 S 6/2007 Goto et al.  
 D547,610 S 7/2007 Edelstein et al.  
 D553,914 S 10/2007 Wahl  
 D573,390 S 7/2008 Ablo  
 D586,186 S 2/2009 Bhavnani  
 D604,561 S 11/2009 Chisholm  
 D614,918 S \* 5/2010 Chisholm ..... D7/510  
 D615,823 S 5/2010 Gilbert  
 D616,743 S \* 6/2010 Cresswell ..... D9/443  
 D619,418 S 7/2010 Nezu et al.  
 D621,220 S 8/2010 Lown et al.  
 D624,362 S 9/2010 Wahl  
 D626,416 S \* 11/2010 Cresswell ..... D7/510  
 D627,227 S 11/2010 Andis  
 D627,601 S \* 11/2010 Eyal ..... D7/510  
 D628,486 S 12/2010 Lane  
 D632,522 S 2/2011 Wahl et al.  
 D632,524 S 2/2011 Rosbach et al.  
 D633,338 S 3/2011 Rosbach et al.  
 D635,457 S \* 4/2011 Lane ..... D7/511  
 D640,494 S 6/2011 Frederiksen  
 D648,984 S 11/2011 Gullickson et al.  
 D651,853 S 1/2012 Eyal  
 D652,255 S 1/2012 Carland  
 D652,682 S 1/2012 Eyal  
 D653,081 S 1/2012 George

D655,581 S 3/2012 Kotani  
 D656,025 S 3/2012 Carreno  
 D657,196 S 4/2012 Beyers, III  
 D658,450 S 5/2012 Ying  
 D658,944 S 5/2012 Gilbert et al.  
 D660,081 S 5/2012 Gilbert  
 D661,945 S 6/2012 Eyal  
 D662,767 S 7/2012 Hotell et al.  
 D664,809 S \* 8/2012 Eyal ..... D7/510  
 D670,525 S 11/2012 Fallon et al.  
 D672,609 S 12/2012 Aziz et al.  
 D675,882 S 2/2013 Crockett  
 D676,708 S 2/2013 Lane  
 D687,677 S 8/2013 Sturgess  
 D689,332 S 9/2013 Krasner  
 D691,420 S 10/2013 McIntire  
 D691,849 S 10/2013 Cetera et al.  
 D693,170 S 11/2013 Rosbach  
 D695,069 S 12/2013 Lane  
 D695,138 S 12/2013 Ball  
 D696,118 S 12/2013 Lindstrom  
 D696,900 S 1/2014 George et al.  
 D696,945 S 1/2014 Newman  
 D699,516 S 2/2014 Kim et al.  
 D700,802 S 3/2014 Miller  
 D700,808 S 3/2014 Eyal  
 D702,086 S 4/2014 Thurlow  
 D702,092 S \* 4/2014 Mettler ..... D7/608  
 D702,506 S \* 4/2014 Mettler ..... D7/608  
 D705,063 S 5/2014 Weiss  
 D706,032 S 6/2014 Roth et al.  
 D710,155 S 8/2014 Tatsukawa  
 D716,653 S 11/2014 Balembois  
 D724,385 S 3/2015 Hurley et al.  
 D725,968 S 4/2015 George  
 D726,476 S 4/2015 Ercanbrack  
 D727,171 S 4/2015 Marina et al.  
 D727,671 S 4/2015 Gamelli  
 D729,019 S 5/2015 Kilduff et al.  
 D736,563 S 8/2015 George  
 D737,144 S 8/2015 Hughes et al.  
 D738,692 S \* 9/2015 Kilduff ..... D7/615  
 D740,609 S 10/2015 Ayres  
 D741,655 S 10/2015 Whelan et al.  
 D743,741 S 11/2015 Itzhaki  
 D758,132 S 6/2016 Breit  
 D758,800 S 6/2016 Hayslett et al.  
 D761,624 S 7/2016 McLean et al.  
 D771,357 S 11/2016 Brewer  
 D772,014 S 11/2016 Ayres  
 9,505,527 B1 11/2016 Campbell  
 D774,837 S 12/2016 Seiders et al.  
 D779,273 S 2/2017 Lee et al.  
 D779,323 S 2/2017 Masrou  
 D779,881 S 2/2017 Lee et al.  
 D780,530 S 3/2017 Seiders et al.  
 D780,531 S 3/2017 Seiders et al.  
 D780,532 S 3/2017 Seiders et al.  
 D780,533 S 3/2017 Seiders et al.  
 D781,662 S 3/2017 Seiders et al.  
 D782,881 S \* 4/2017 Seiders ..... D7/510  
 D783,367 S 4/2017 Seiders et al.  
 D783,368 S 4/2017 Seiders et al.  
 D784,775 S 4/2017 Seiders et al.  
 D785,412 S 5/2017 Petre  
 D786,012 S 5/2017 Hein et al.  
 D786,617 S 5/2017 Breit  
 D787,886 S 5/2017 Cerasani  
 D787,893 S 5/2017 Seiders et al.  
 D787,894 S 5/2017 Seiders et al.  
 9,637,270 B2 5/2017 Campbell  
 D788,544 S 6/2017 Seiders et al.  
 D789,796 S 6/2017 McSweeney et al.  
 D790,285 S 6/2017 Seiders et al.  
 D791,550 S 7/2017 Marret  
 D794,397 S 8/2017 Seiders et al.  
 D795,019 S 8/2017 Seiders et al.  
 D795,020 S 8/2017 Seiders et al.  
 D796,261 S 9/2017 Khalifa et al.

(56)

References Cited

U.S. PATENT DOCUMENTS

D799,898 S 10/2017 Yao  
 D799,900 S 10/2017 Santos et al.  
 D799,906 S 10/2017 Seiders et al.  
 D799,907 S 10/2017 Seiders et al.  
 D799,908 S 10/2017 Seiders et al.  
 D800,502 S 10/2017 Weernink  
 D803,064 S 11/2017 Marina et al.  
 D803,632 S 11/2017 Seiders et al.  
 D804,906 S 12/2017 Diener et al.  
 D805,852 S 12/2017 Seiders et al.  
 D806,477 S 1/2018 Wray et al.  
 D807,125 S 1/2018 Seiders et al.  
 D808,220 S 1/2018 Burns et al.  
 D809,344 S 2/2018 Guthrie  
 D809,920 S 2/2018 Maple  
 D811,817 S 3/2018 Harrington, III et al.  
 D811,818 S 3/2018 Wu  
 D813,613 S 3/2018 Wall  
 D814,241 S 4/2018 Nickley et al.  
 D814,865 S 4/2018 Breit  
 D816,411 S 5/2018 Stover  
 D817,713 S 5/2018 Lin  
 D817,714 S 5/2018 Breit  
 D818,775 S 5/2018 Woodruff  
 D819,403 S 6/2018 Li et al.  
 D820,650 S 6/2018 Seiders et al.  
 D821,138 S 6/2018 Silsby et al.  
 D823,068 S 7/2018 Seiders et al.  
 D823,069 S 7/2018 Seiders et al.  
 D824,218 S 7/2018 Seiders et al.  
 D828,094 S 9/2018 Jackson et al.  
 D828,095 S 9/2018 Jackson et al.  
 D829,056 S 9/2018 Wall  
 D829,058 S 9/2018 Seiders et al.  
 D829,101 S 9/2018 Spivey et al.  
 D830,773 S 10/2018 Jacobsen  
 D830,774 S 10/2018 Jacobsen  
 D830,784 S 10/2018 Moore et al.  
 D831,436 S 10/2018 Seiders et al.  
 D834,373 S 11/2018 Spivey et al.  
 10,118,735 B2 11/2018 Campbell  
 D837,597 S 1/2019 Silsby  
 10,384,832 B2 8/2019 Johnson  
 2004/0045972 A1 3/2004 Stokes  
 2004/0124192 A1 7/2004 Teller  
 2005/0224442 A1 10/2005 White  
 2005/0269322 A1 12/2005 Betras et al.  
 2007/0051687 A1 3/2007 Olson  
 2007/0119517 A1 5/2007 Grace  
 2007/0125785 A1 6/2007 Robinson et al.  
 2007/0175906 A1 8/2007 Caladrino  
 2007/0221693 A1 9/2007 Moore

2009/0056369 A1 3/2009 Fink et al.  
 2009/0266737 A1 10/2009 Cole  
 2010/0005828 A1 1/2010 Fedell  
 2010/0084362 A1 4/2010 Letchinger et al.  
 2010/0288723 A1 11/2010 Mayer  
 2011/0011823 A1 1/2011 Moore  
 2011/0114588 A1 5/2011 Nowzari  
 2011/0204048 A1\* 8/2011 Carino ..... A45F 3/18  
 220/4.03  
 2012/0145591 A1 6/2012 Ceder  
 2012/0199548 A1 8/2012 Kitto  
 2013/0153591 A1 6/2013 Grimes et al.  
 2013/0206717 A1\* 8/2013 Lane ..... A47J 31/18  
 215/6  
 2014/0238949 A1\* 8/2014 Patel ..... B65D 21/0228  
 215/6  
 2015/0021346 A1 1/2015 Cappuccio  
 2018/0194518 A1 7/2018 Li et al.  
 2018/0194537 A1 7/2018 Chan

FOREIGN PATENT DOCUMENTS

EP 1452455 A1 9/2004  
 FR 1054716 A 2/1954  
 JP 2008030773 A 2/2008  
 KR 20100000510 U 1/2010  
 TW M460607 U 9/2013  
 WO 2008063750 A2 5/2008

OTHER PUBLICATIONS

Benefits of Stainless Steel Water Bottles, [online] posted on Mar. 1, 2012, retrieved on Jan. 28, 2019. Retrieved from <URL: <https://b2bbusinessnews.wordpress.com/2012/03/01/benefits-of-stainless-steel-water-bottles/>>, 3 pages.  
 Brewtis the BottleKeeper. [online], posted on Dec. 28, 2013, retrieved on Jan. 28, 2019. Retrieved from, <URL: <http://www.dudeiwantthat.com/gear/food-drink/brewtis-the-bottlekeeper.asp>>, 22 pages.  
 EarthLust Stainless Steel Water Bottle, [online], product reviewed on Oct. 17, 2008, retrieved on Jan. 28, 2019, Retrieved from, <URL: <https://www.amazon.com/dp/B001DYOCOW?tag=new-best-seller-20>>, 4 pages.  
 Neiko 71010 Stainless Steel Sports Water Bottle, [online], published on Nov. 3, 2009, retrieved on Jan. 28, 2019, Retrieved from, <URL: [https://www.amazon.com/Eco-Friendly-Mouth-Stainless-Steel-Bottle/dp/B002VDA2AC/ref=sr\\_1\\_107?s=sporting-goods&ie=UTF8&qid=1396116064&s%E2%80%A6](https://www.amazon.com/Eco-Friendly-Mouth-Stainless-Steel-Bottle/dp/B002VDA2AC/ref=sr_1_107?s=sporting-goods&ie=UTF8&qid=1396116064&s%E2%80%A6)>, 8 pages.  
 Wawabots Personalized Photo Water Bottles, [online], published on Nov. 30, 2011, retrieved on Jan. 28, 2019. Retrieved from, <URL: <https://inhabitat.com/inhabitatots/product-review-wawabots-personalized-photo-water-bottles/>>, 7 pages.

\* cited by examiner

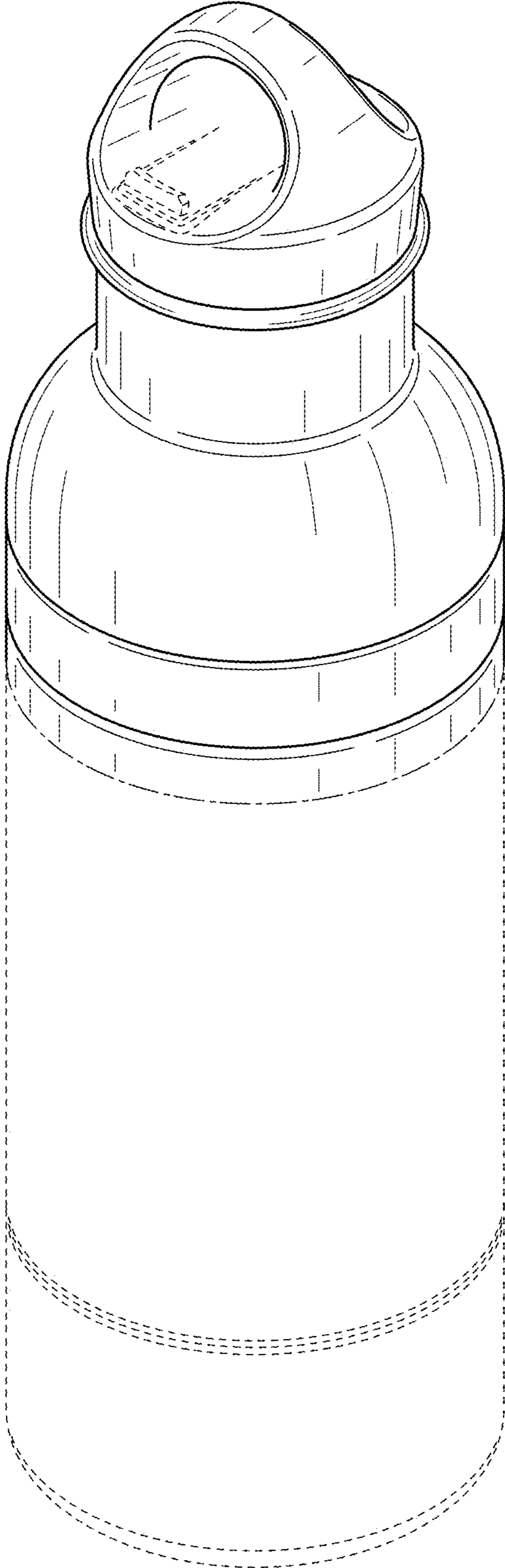


FIG. 1

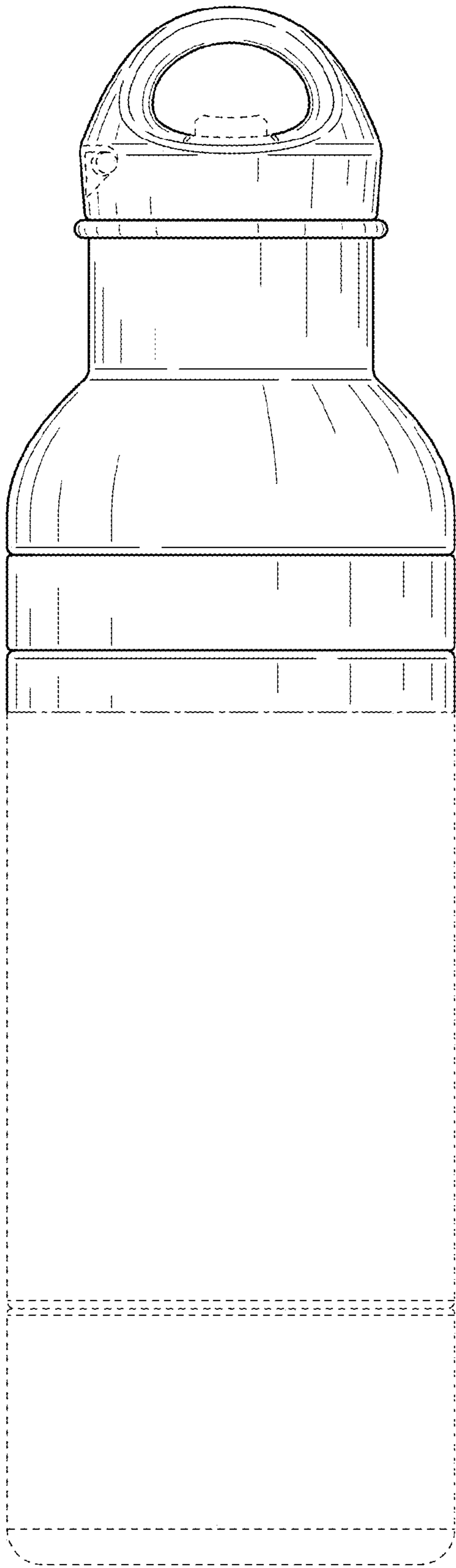


FIG. 2

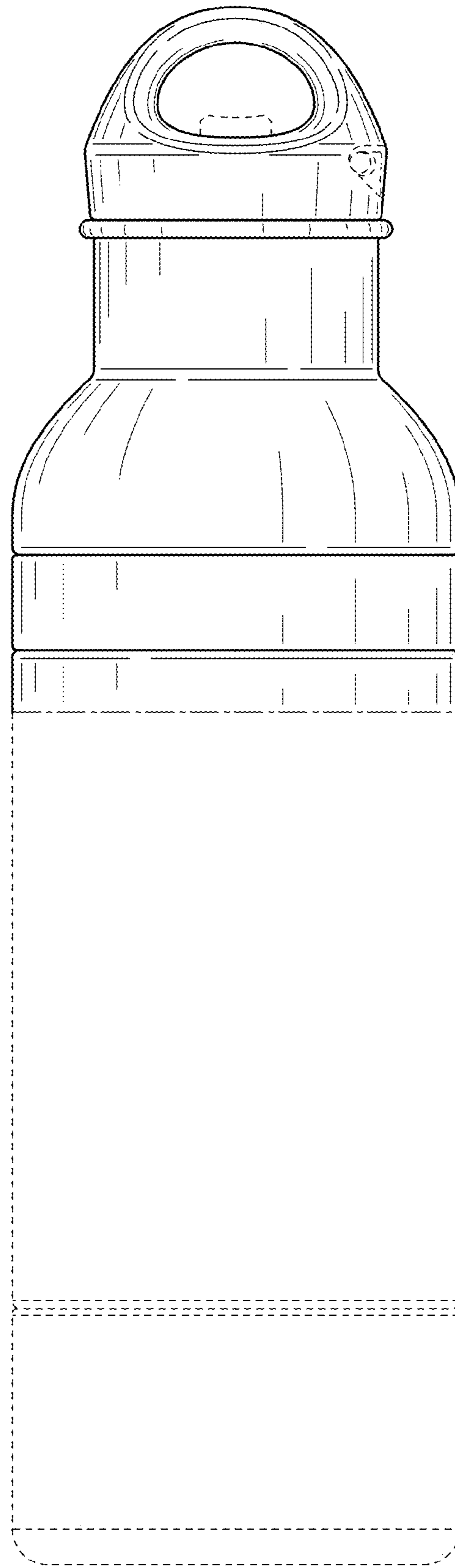


FIG. 3

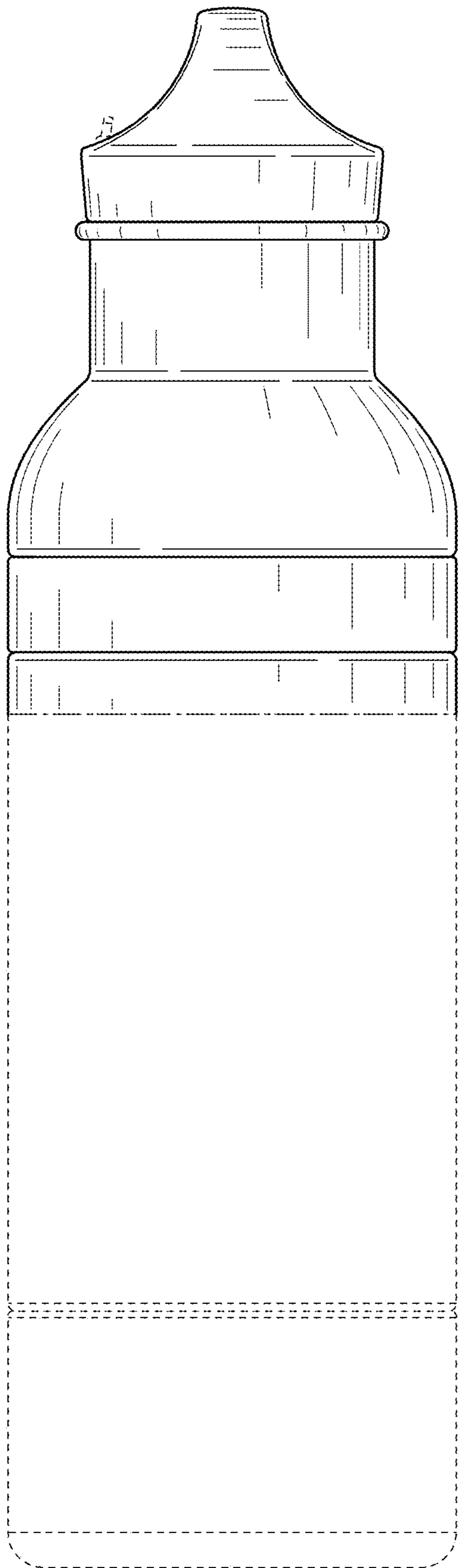


FIG. 4

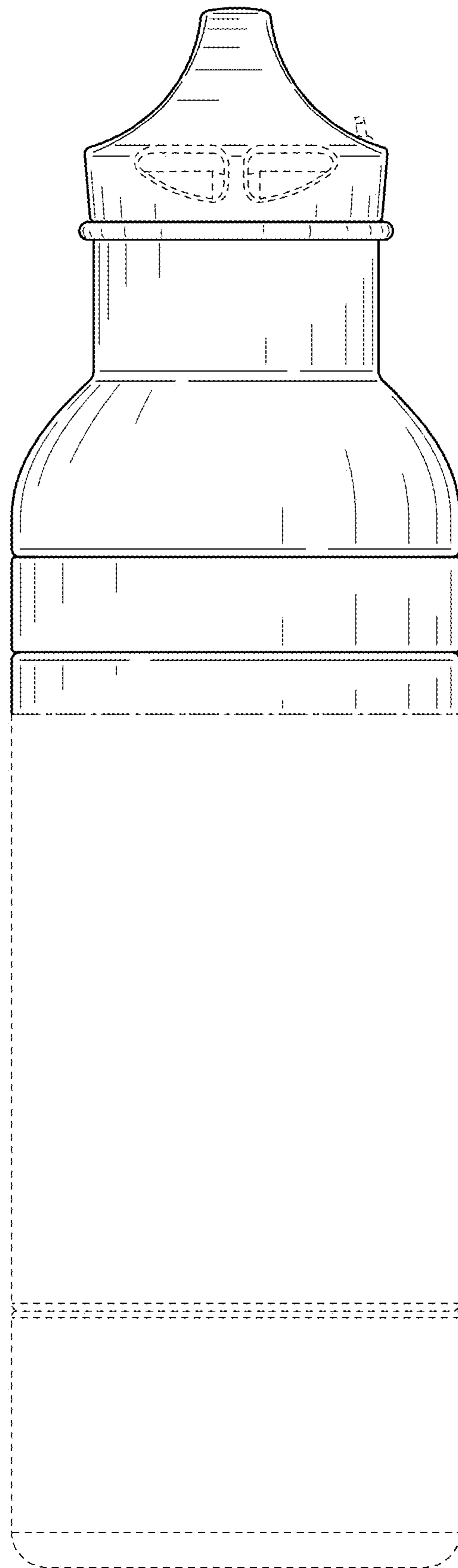


FIG. 5

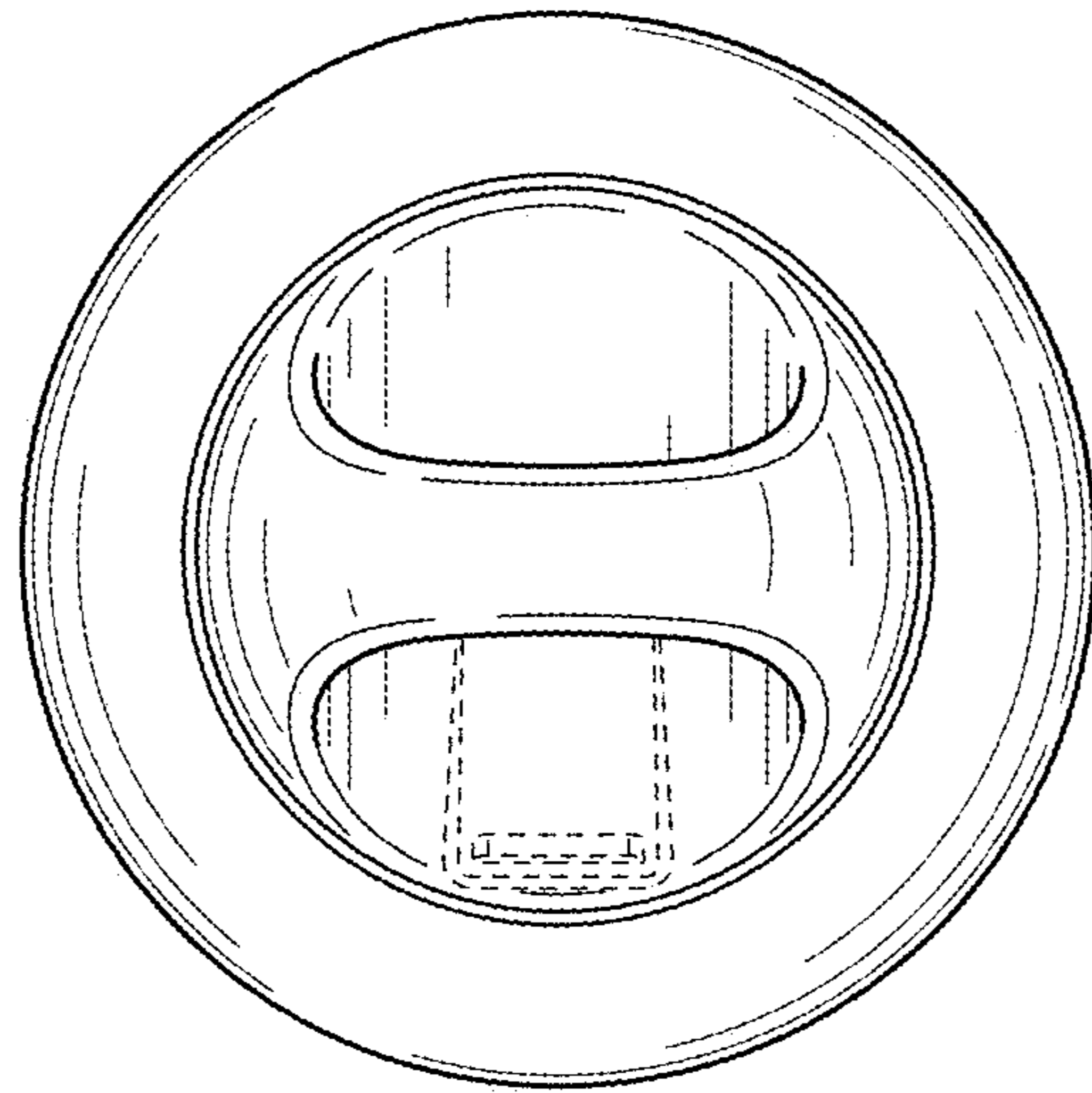


FIG. 6

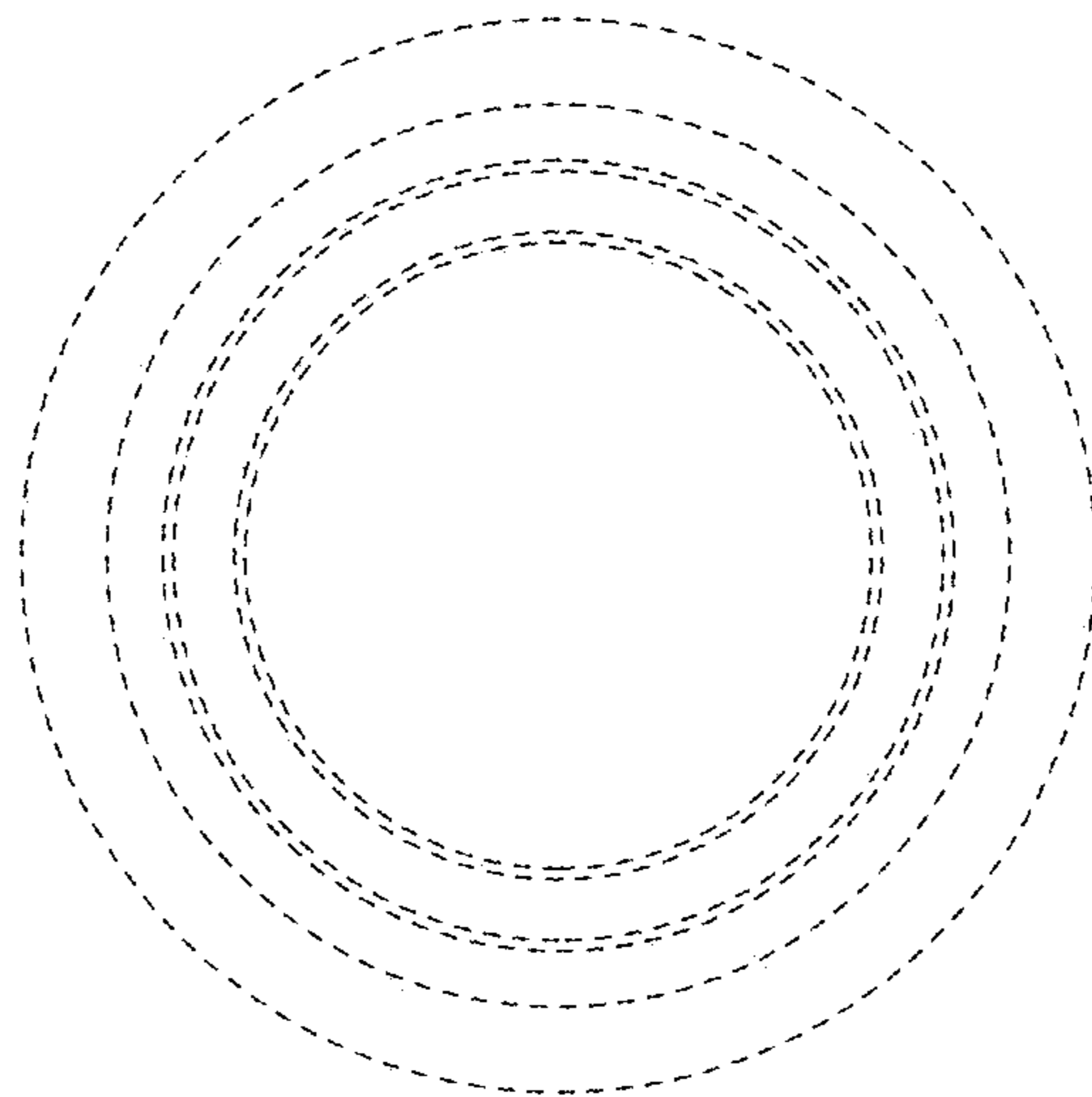


FIG. 7