



US00D889208S

(12) **United States Design Patent** (10) **Patent No.:** **US D889,208 S**  
**Ellison et al.** (45) **Date of Patent:** **\*\* Jul. 7, 2020**

(54) **PORTABLE INSULATING CONTAINER**

FOREIGN PATENT DOCUMENTS

(71) Applicant: **YETI Coolers, LLC**, Austin, TX (US)

CN 3403648 11/2004  
CN 3407989 12/2004

(72) Inventors: **Kyle Ellison**, Austin, TX (US); **Colin Darling**, Austin, TX (US); **Evan Goldberg**, Austin, TX (US); **Lane Van Wagner**, Dripping Springs, TX (US); **Rafael Moreno**, The Woodlands, TX (US)

(Continued)

OTHER PUBLICATIONS

(73) Assignee: **YETI Coolers, LLC**, Austin, TX (US)

Patent Fusion Patentability Search HAUL PR17FTO2113 "Wheeled Coolers"; ebay; retrieved Dec. 11, 2018; URL: <<https://www.ebay.com/bhp/wheeled-cooler>>.

(Continued)

(\*\*) Term: **15 Years**

*Primary Examiner* — Terry A Wallace

(21) Appl. No.: **29/703,100**

(74) *Attorney, Agent, or Firm* — Banner & Witcoff, Ltd.

(22) Filed: **Aug. 23, 2019**

(57) **CLAIM**

The ornamental design for a portable insulating container, as shown and described.

**Related U.S. Application Data**

**DESCRIPTION**

(63) Continuation of application No. 29/650,911, filed on Jun. 11, 2018, now Pat. No. Des. 863,892, which is a (Continued)

(51) **LOC (12) Cl.** ..... **07-01**

(52) **U.S. Cl.**  
USPC ..... **D7/605**

(58) **Field of Classification Search**  
USPC ..... D7/605–608, 629, 630, 709, 710;  
D3/272–274

CPC ..... B65D 81/3888; B65D 81/38; B65D 81/3813; B65D 81/3816; B65D 81/3818; B65D 81/3823; B65D 81/3858; A45C  
(Continued)

(56) **References Cited**

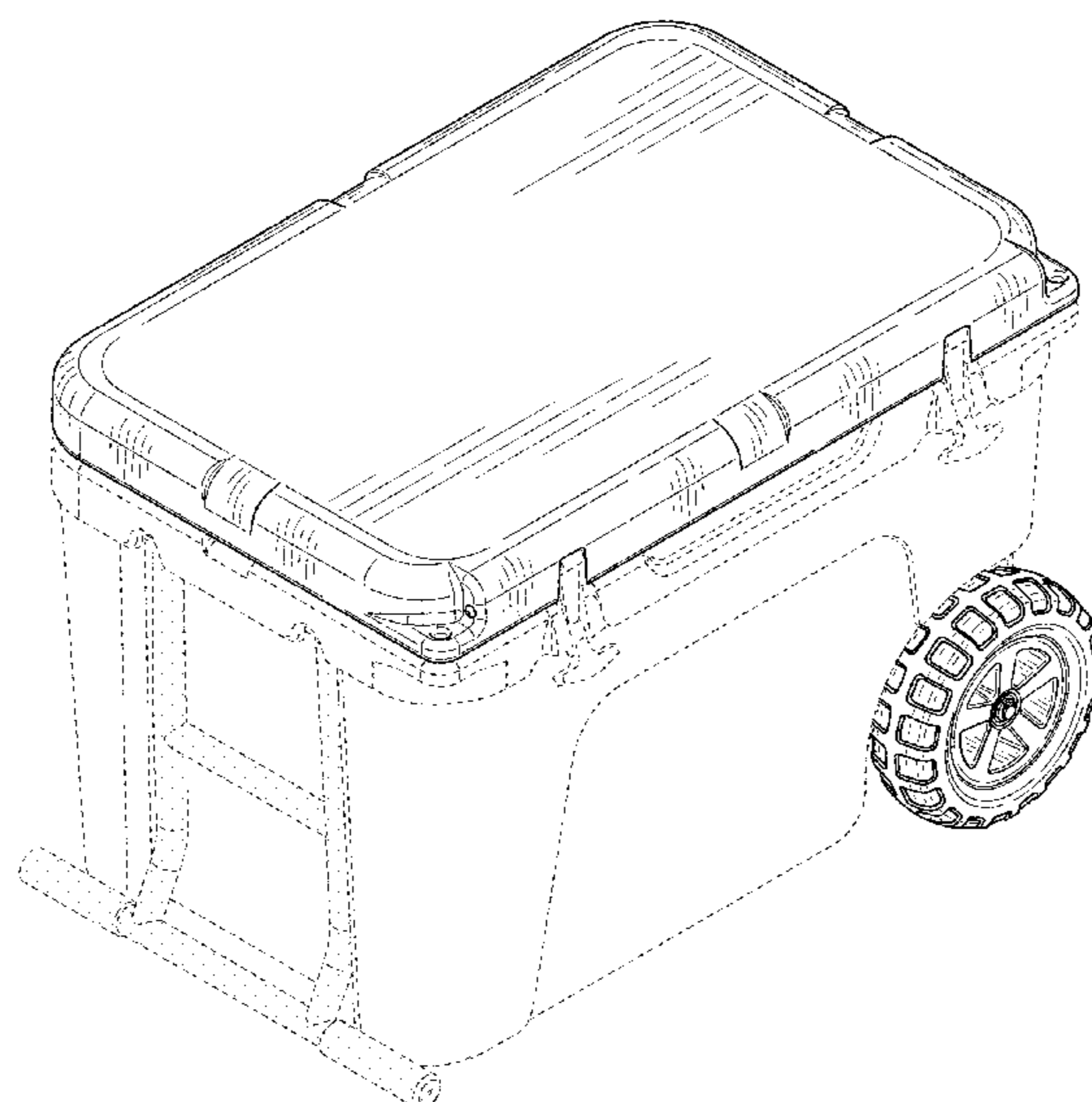
U.S. PATENT DOCUMENTS

4,846,493 A 7/1989 Mason  
D328,689 S \* 8/1992 Riskowski ..... D15/83  
(Continued)

FIG. 1 is a top, front, left perspective view of a portable insulating container showing our new design;  
FIG. 2 is a top, front, right perspective view thereof;  
FIG. 3 is a front view thereof;  
FIG. 4 is a rear view thereof;  
FIG. 5 is a right side view thereof;  
FIG. 6 is a left side view thereof;  
FIG. 7 is a top view thereof;  
FIG. 8 is a bottom view thereof;  
FIG. 9 is a top, front, left perspective view of a portable insulating container showing our design in an alternate configuration;  
FIG. 10 is a left side view thereof; and,  
FIG. 11 is a front view thereof.

The broken lines immediately adjacent to the shaded area define the bounds of the claimed design and form no part thereof. The broken lines depicting the remainder of the portable insulating container show features that form no part of the claimed design.

**1 Claim, 11 Drawing Sheets**



**Related U.S. Application Data**

continuation of application No. 29/647,444, filed on May 13, 2018, now Pat. No. Des. 869,244.

(58) **Field of Classification Search**

CPC ... 11/20; A45C 5/14; A45C 5/03; A45C 9/00; A45F 3/46; F25D 3/02; F25D 3/04; F25D 3/06; F25D 3/08; F25D 3/11; F25D 3/14; F25D 2331/804; F25D 31/005; A47B 77/08; A47J 41/022; A47G 19/2288; B26B 3/003; F25B 19/00

See application file for complete search history.

D743,171 S	11/2015	Reinhart	
9,199,782 B1	12/2015	Cliatt	
D758,729 S	6/2016	Tonelli et al.	
D780,521 S	3/2017	Garcia et al.	
2005/0217071 A1	10/2005	Shinner	
2008/0179847 A1	7/2008	DeFrancia	
2011/0226785 A1	9/2011	Sakell	
2012/0132657 A1*	5/2012	Seiders .....	B65D 81/3816 220/592.2
2013/0062356 A1*	3/2013	Deka .....	B65D 81/3823 220/592.25
2014/0197059 A1	7/2014	Evans et al.	
2016/0348954 A1	12/2016	McBeth	

(56)

**References Cited**

U.S. PATENT DOCUMENTS

5,228,706 A	7/1993	Boville	
5,232,232 A	8/1993	Kishi	
5,249,438 A	10/1993	Rhaney et al.	
5,285,656 A	2/1994	Peters	
5,306,029 A	4/1994	Kaiser, II	
5,373,708 A	12/1994	Dumoulin, Jr.	
5,407,218 A	4/1995	Jackson	
5,465,985 A	11/1995	Devan et al.	
D369,695 S *	5/1996	Imotani .....	D6/686
5,772,222 A	6/1998	Sim et al.	
D415,658 S	10/1999	Frehse	
D429,606 S	8/2000	Israel et al.	
6,116,701 A	9/2000	Kuo	
6,131,925 A	10/2000	Weldon	
6,182,462 B1 *	2/2001	Bania .....	A45C 11/20 62/264
6,463,756 B1	10/2002	Lewis	
6,467,779 B1	10/2002	Mills	
6,592,133 B2	7/2003	Powell	
D479,440 S	9/2003	Kennedy	
D480,276 S	10/2003	Duart et al.	
6,755,428 B2	6/2004	Butler	
D503,413 S	3/2005	Diaz	
D505,836 S	6/2005	Burkholder	
D514,891 S	2/2006	Garcia et al.	
D566,479 S	4/2008	Kabalin	
D587,972 S	3/2009	Dorisca et al.	
D612,670 S	3/2010	Sanchez et al.	
D649,783 S	12/2011	Brunner	
D660,589 S *	5/2012	Ayjian .....	D3/260
D667,697 S	9/2012	Shah	
8,256,156 B1	9/2012	Burgoyne, Jr.	
8,851,282 B2	10/2014	Brunner	

FOREIGN PATENT DOCUMENTS

CN	301512222	4/2011
CN	301639026	8/2011
CN	301888389	4/2012
CN	302411562	4/2013
CN	302411563	4/2013
CN	302610891	10/2013
CN	302610892	10/2013
CN	303374735	9/2015
CN	303993733	1/2017
CN	304011514	1/2017
DE	29714544 U1	1/1998
DE	29908057 U1	9/1999
EM	002682229-0008	4/2015
WO	9522266 A1	8/1995
WO	11022866 A1	3/2011

OTHER PUBLICATIONS

Patent Fusion Patentability Search HAUL PR17FTO2113 “Wholesale—Igloo All Terrain Cooler 70 Quart”; Well Promo; -retrieved Dec. 11, 2018; URL: <<http://www.wellpromo.com/Wholesale/Coolers/Igloo-All-Terrain-Cooler-70-Quart-212308.htm>>.

Patent Fusion Patentability Search HAUL PR17FTO2113 “55 Quart Rugged 55 A/T Wheeled Cooler Detail”; Coleman; retrieved Dec. 11, 2018; URL: <<http://www.coleman.com/55-quart-rugged-55-at-wheeled-cooler/3000004144.html>>.

Patent Fusion Patentability Search HAUL PR17FTO2113 “Yeti Cooler All Terrain Wheel System—The Rambler X1 Rambler Wheels for YETI Coolers”; YouTube; retrieved Dec. 11, 2018; URL: <<https://www.youtube.com/watch?v=kGLX0Rv8sUw&app=desktop>>.

\* cited by examiner

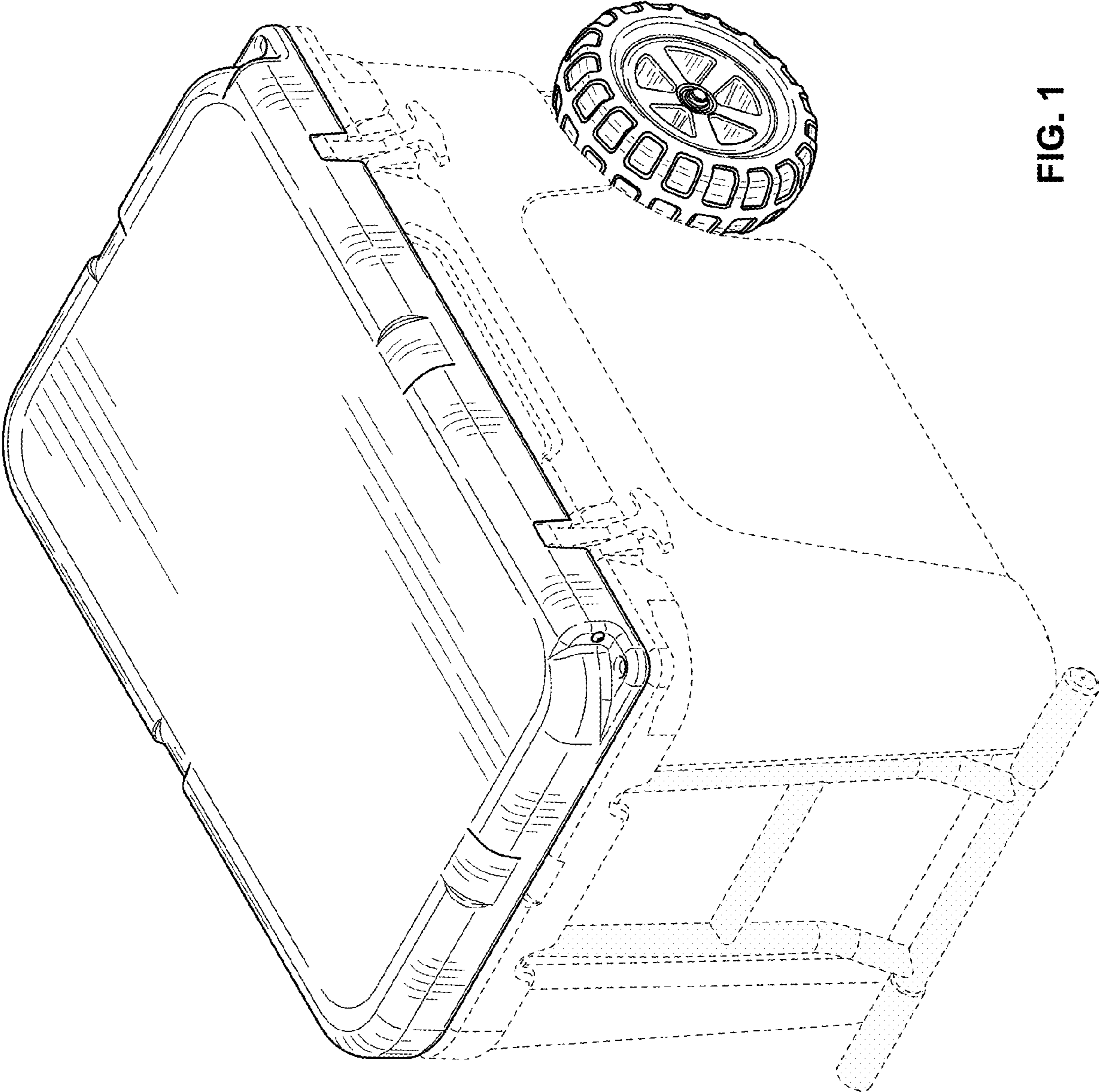


FIG. 1

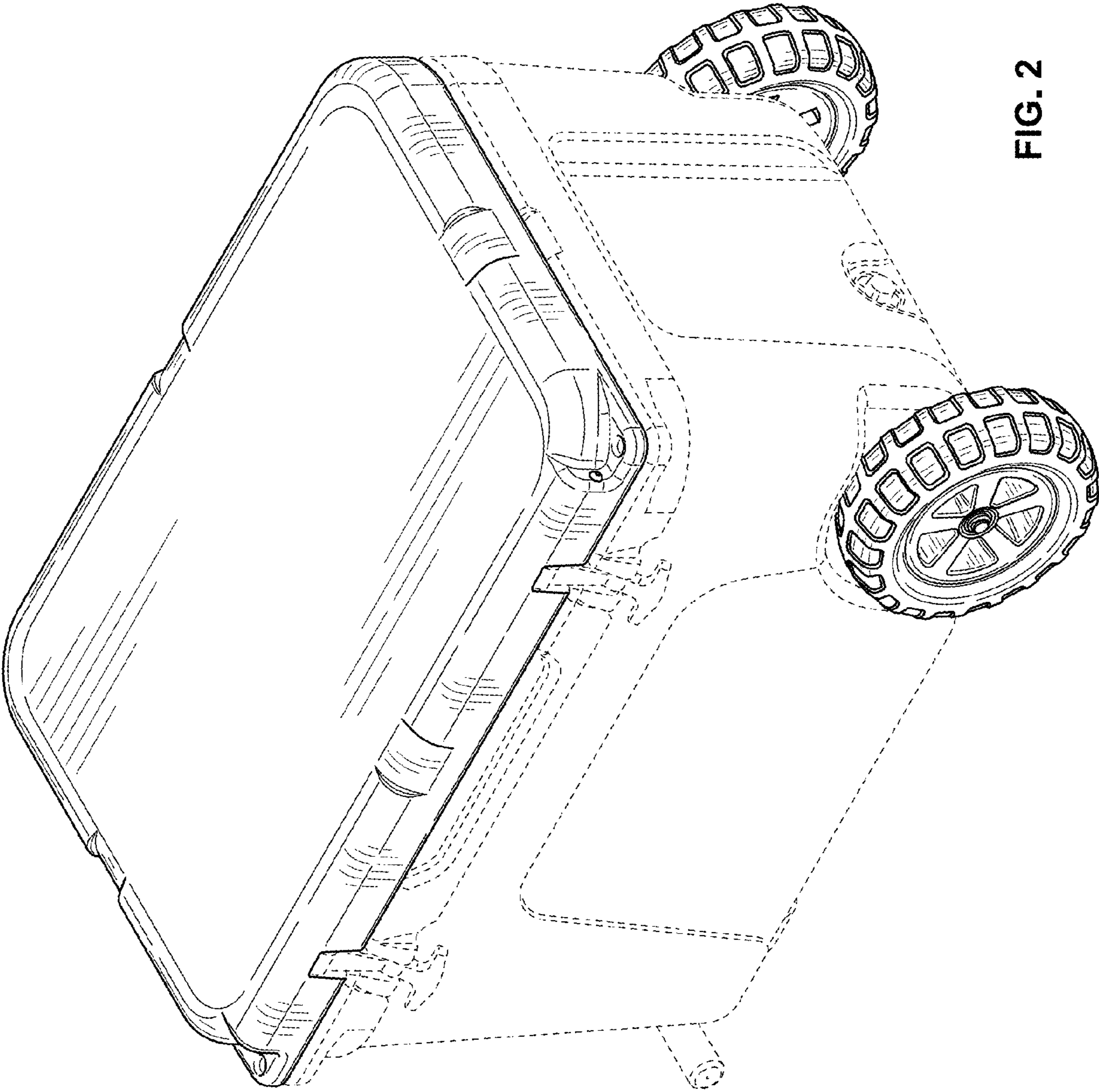


FIG. 2

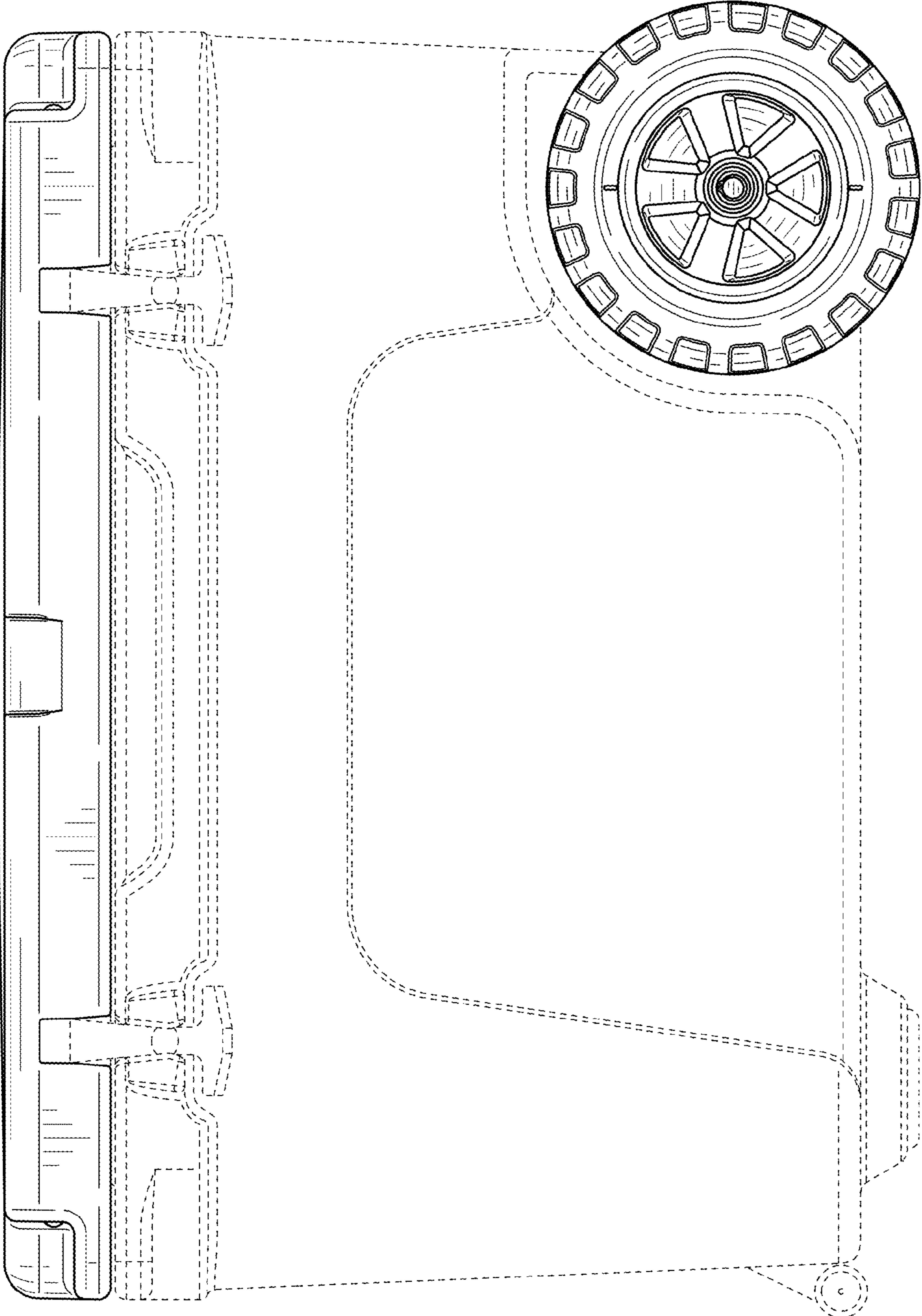


FIG. 3

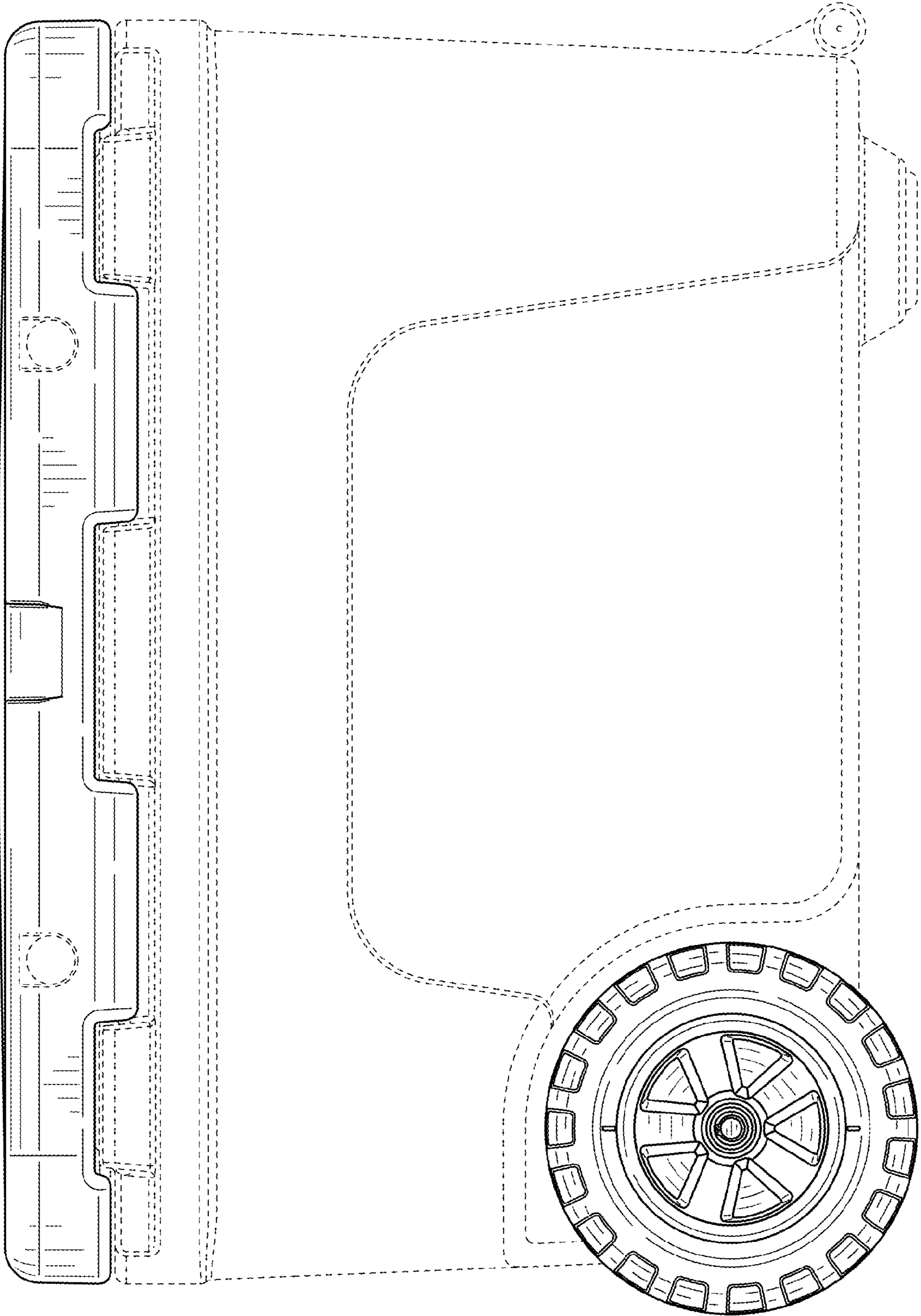


FIG. 4

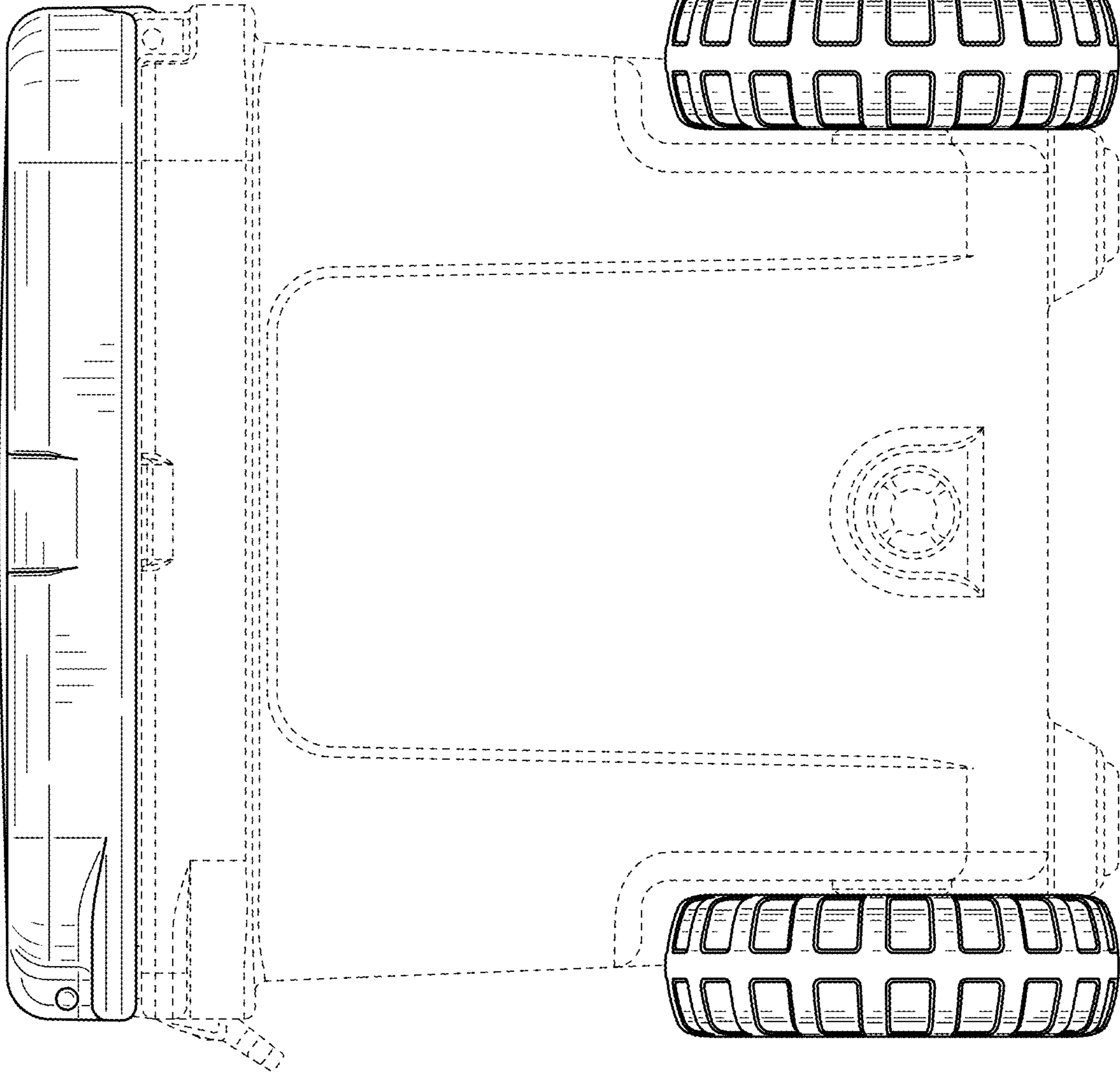


FIG. 5

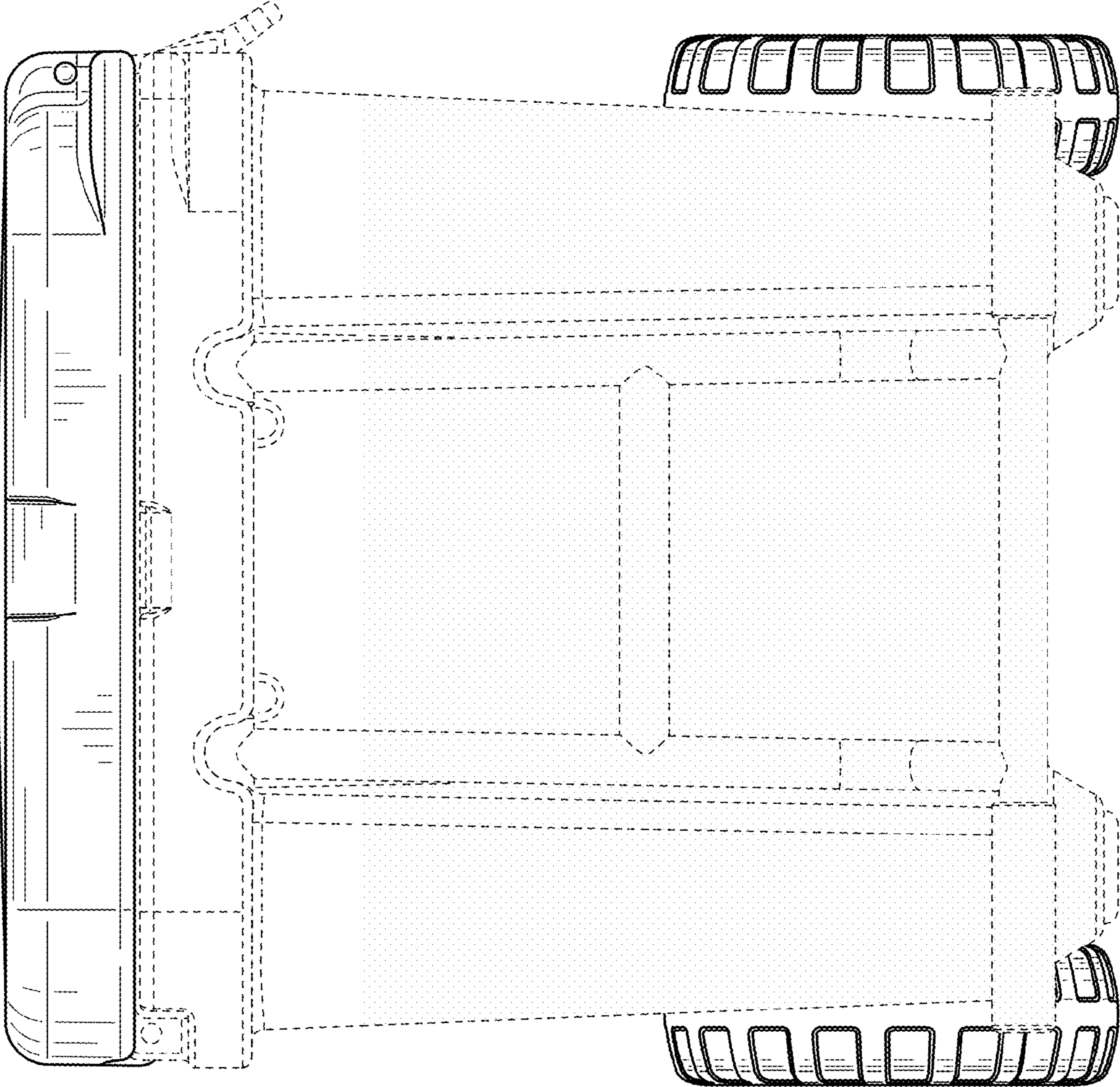
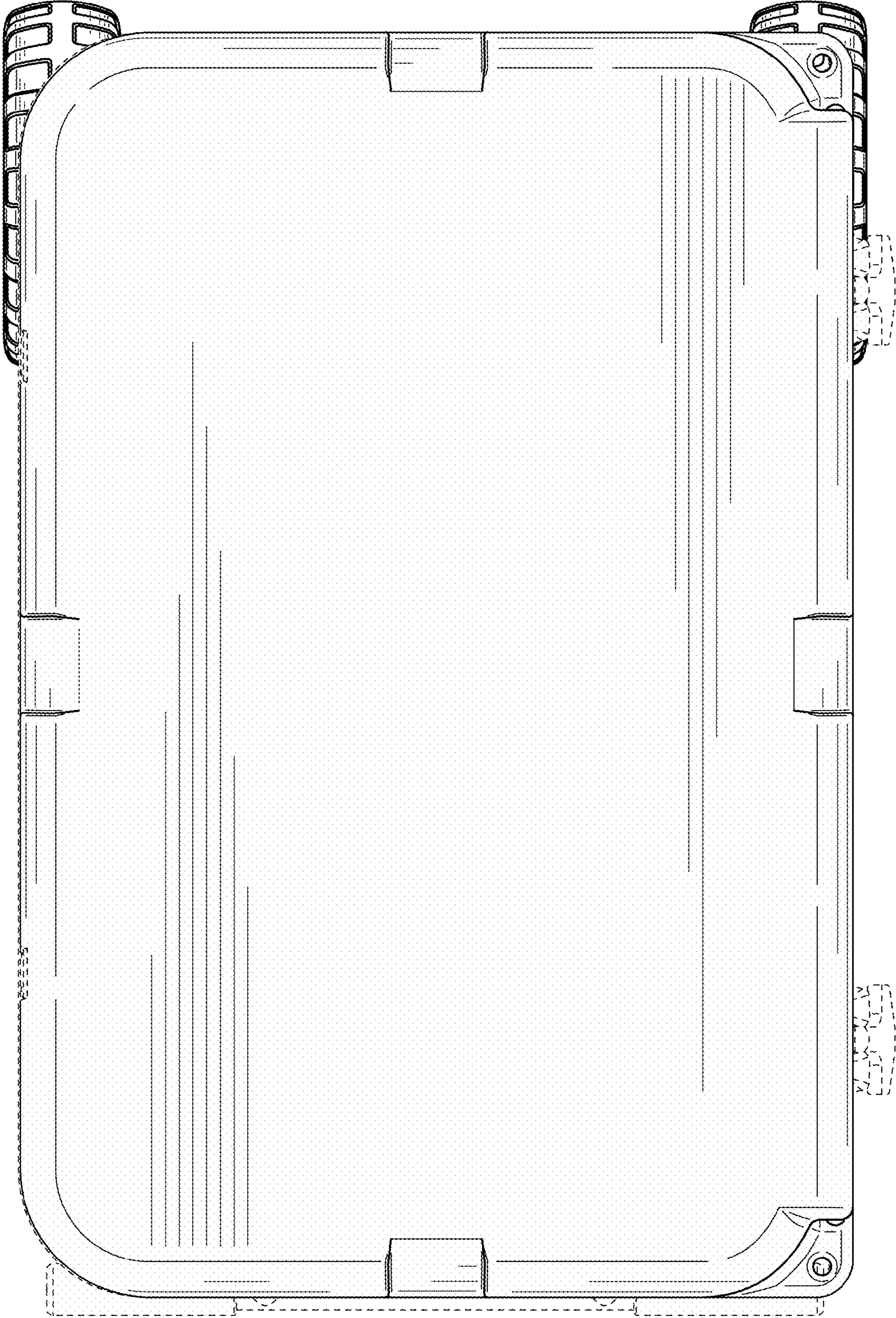


FIG. 6



FIG. 7



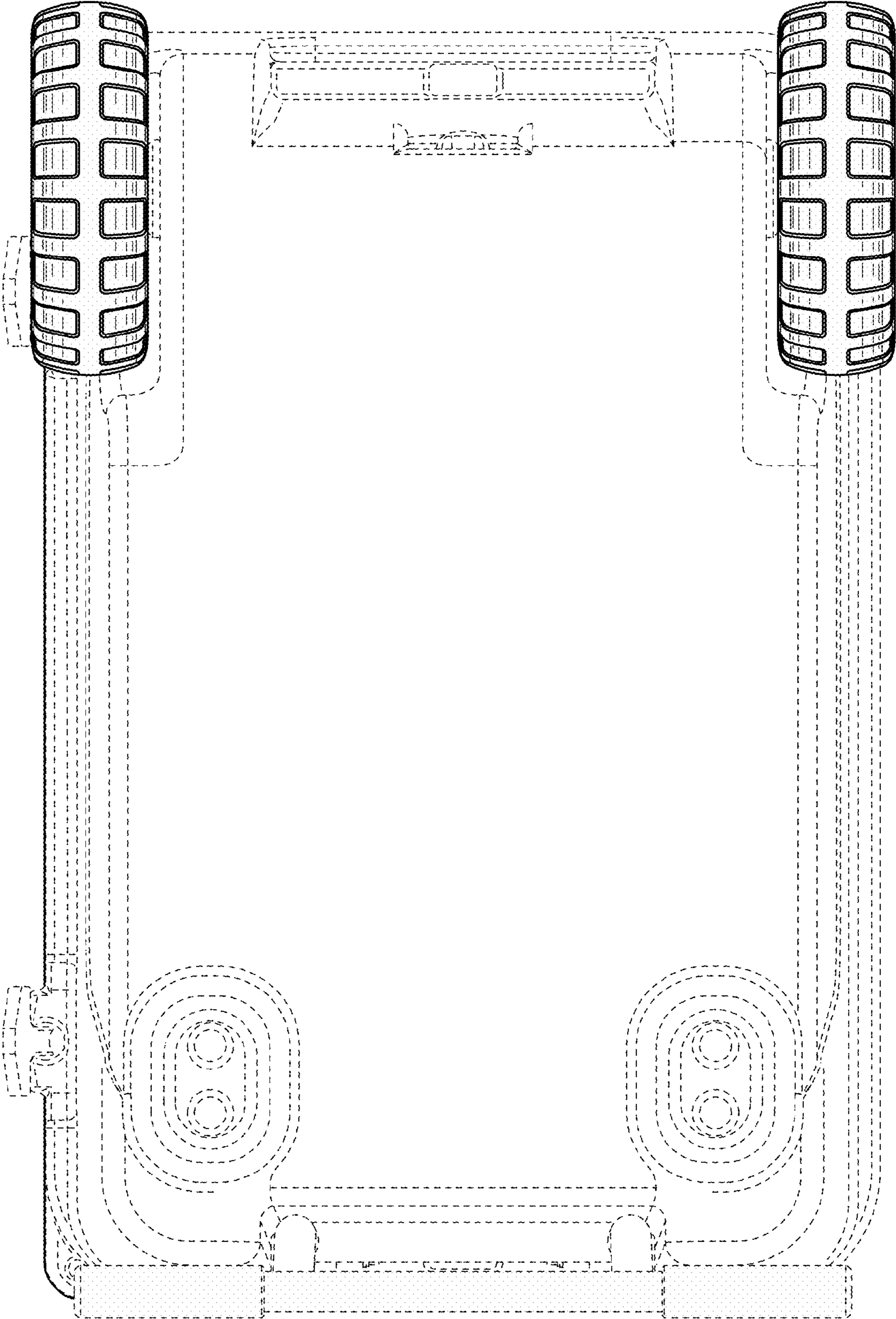


FIG. 8

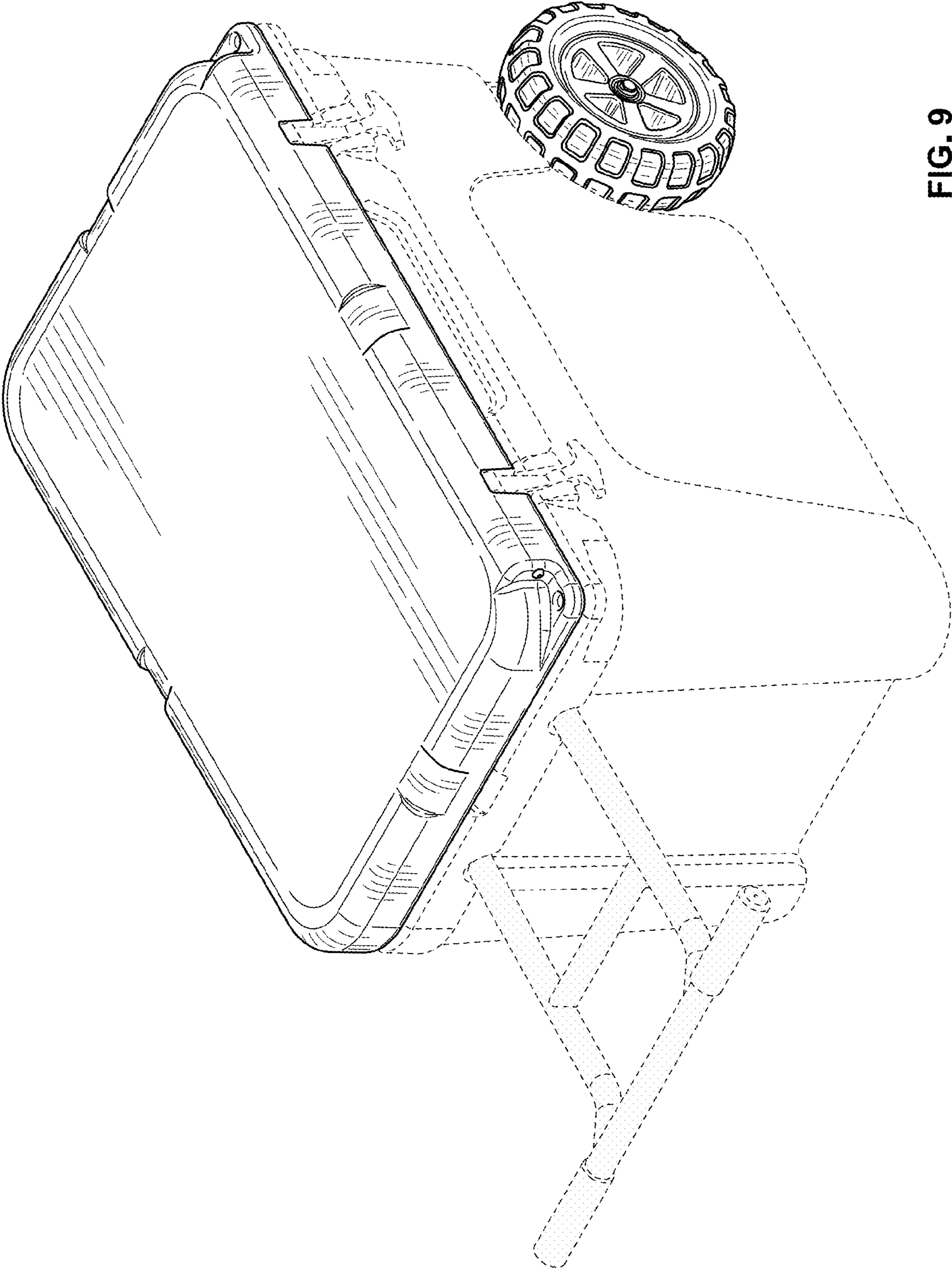


FIG. 9

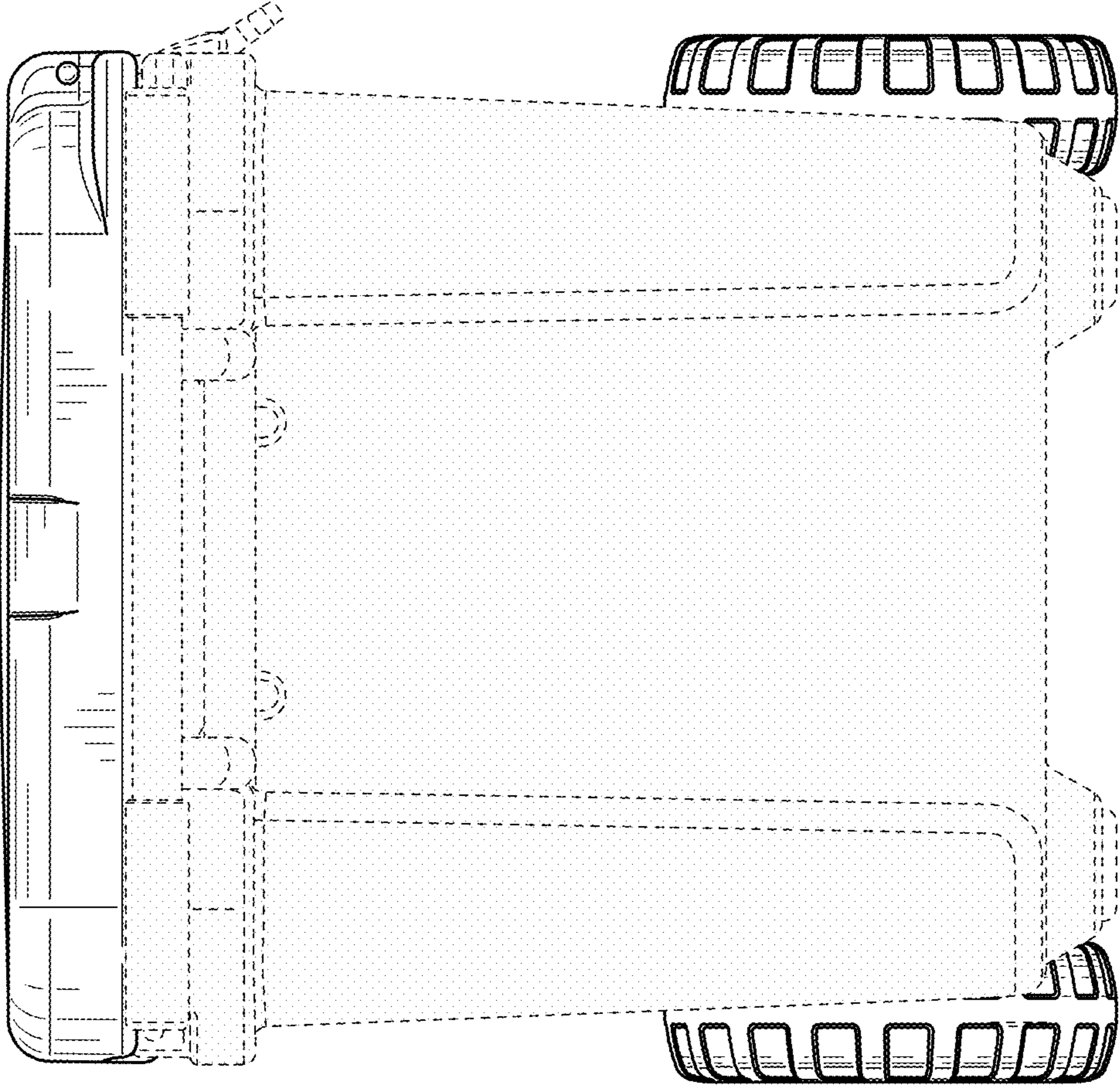


FIG. 10

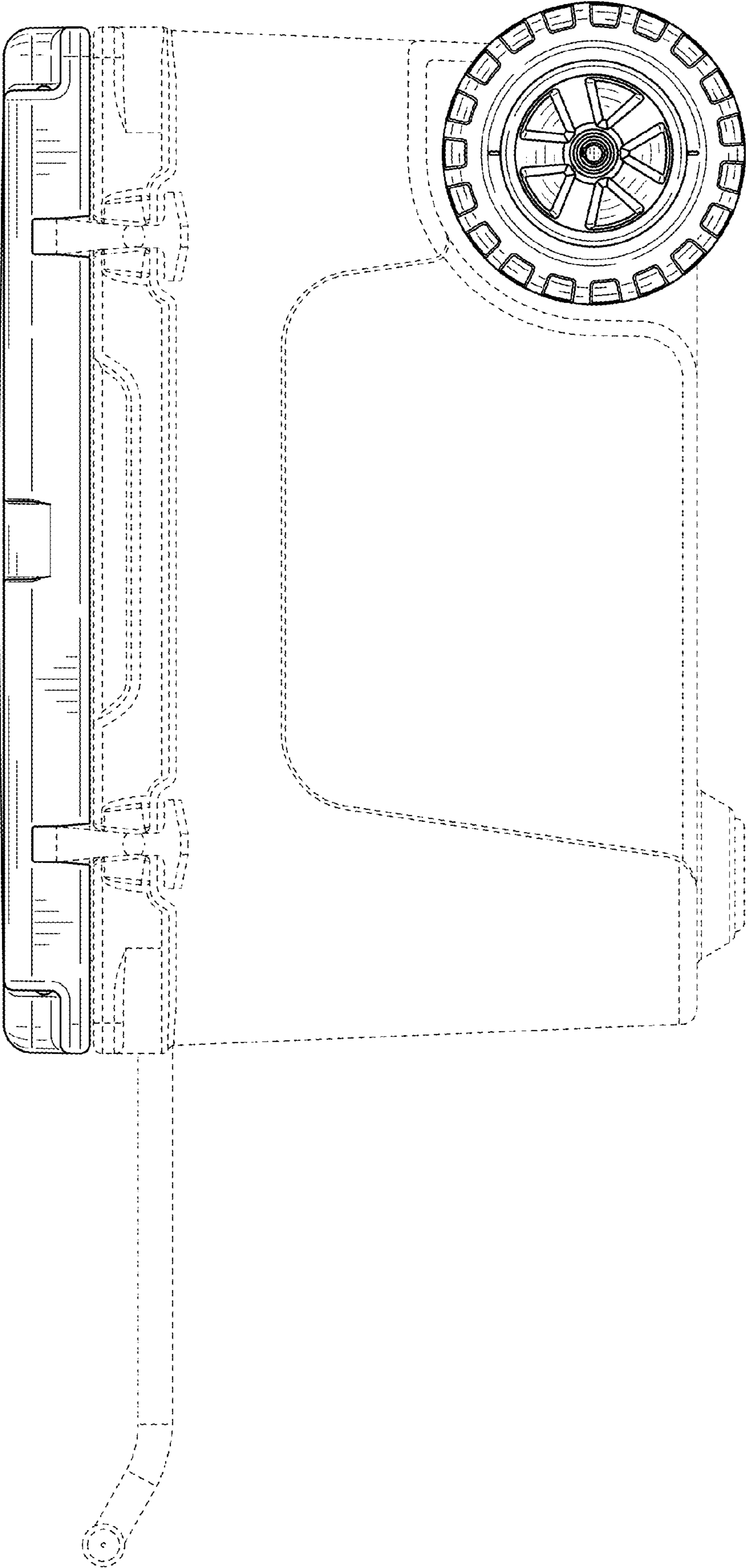


FIG. 11