



US00D889206S

(12) **United States Design Patent** (10) **Patent No.:** **US D889,206 S**
Bo (45) **Date of Patent:** **** Jul. 7, 2020**

(54) **WATER BOTTLE**
(71) Applicant: **Yongkang Qiqing Industry and Trade Co., Ltd., Jinhua (CN)**
(72) Inventor: **Zhang Bo, Gongxian (CN)**
(**) Term: **15 Years**
(21) Appl. No.: **29/706,650**
(22) Filed: **Sep. 23, 2019**
(51) **LOC (12) Cl.** **07-01**
(52) **U.S. Cl.**
USPC **D7/523; D7/532; D9/500**
(58) **Field of Classification Search**
USPC D7/507, 509, 510, 511, 529, 530, 531, D7/532, 523, 534, 536, 608, 392.1, 396.2, D7/514, 515, 516, 519; D9/500, 501, D9/502, 503, 504, 612, 605, 301, 600
CPC A47G 19/22; A47G 19/2288; A47G 19/2205; A47G 19/2222; A47G 19/2233; A47G 19/2266; B65D 47/066
See application file for complete search history.

D729,581 S * 5/2015 Boroski D7/510
D734,096 S * 7/2015 George D7/509
D734,989 S * 7/2015 Lapsker D7/523
D791,543 S * 7/2017 Mulhauser D7/510
D811,817 S * 3/2018 Harrington, III D7/510
D814,240 S * 4/2018 Kabalin D7/510
D819,406 S * 6/2018 Rivera D7/532
D821,151 S * 6/2018 Lapsker D7/511
D827,378 S * 9/2018 Mulhauser D7/523
D830,127 S * 10/2018 Rohe D7/510
D858,196 S * 9/2019 Graham D7/507

* cited by examiner

Primary Examiner — Jae Liang
(74) Attorney, Agent, or Firm — KA Filing LLC; Wayne V. Harper

(57) **CLAIM**

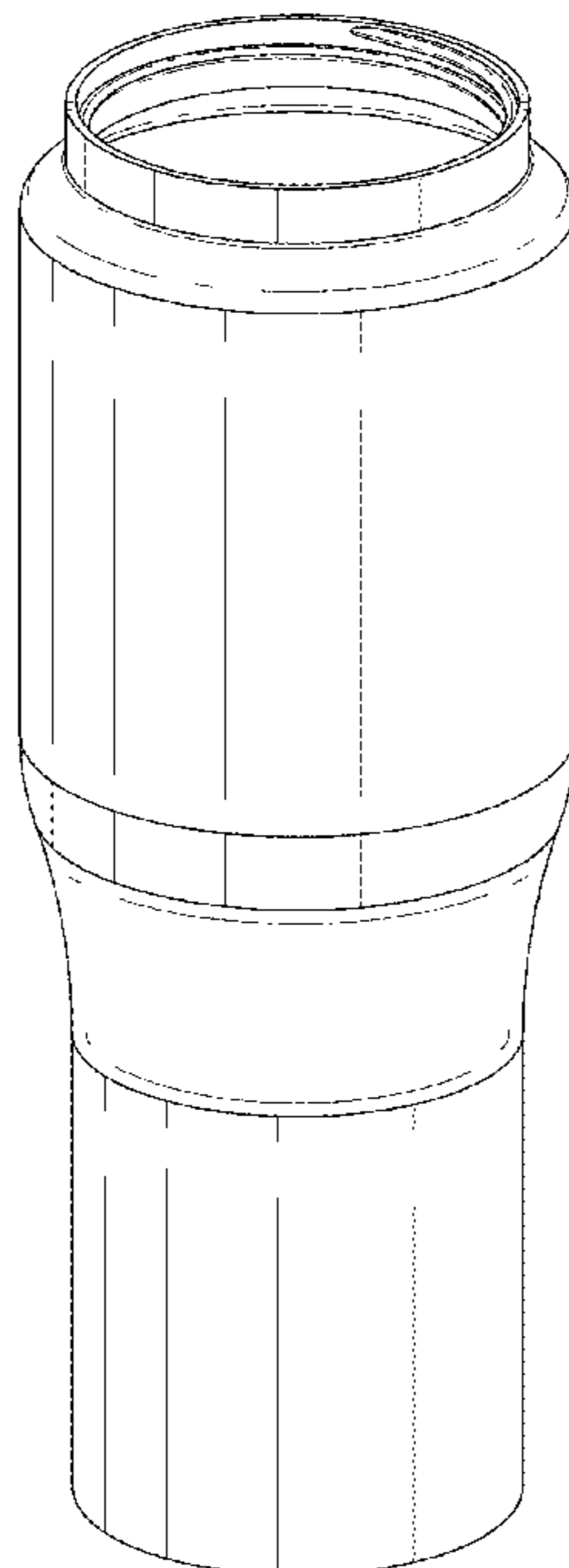
I claim the ornamental design for a water bottle, as shown and described.

DESCRIPTION

FIG. 1 is a Perspective view of a water bottle showing my new design;
FIG. 2 is a Front view of the water bottle as shown in FIG. 1;
FIG. 3 is a Back view of the water bottle as shown in FIG. 1;
FIG. 4 is a Right-side view of the water bottle as shown in FIG. 1;
FIG. 5 is a Left-side view of the water bottle as shown in FIG. 1;
FIG. 6 is a Top view of the water bottle as shown in FIG. 1; and,
FIG. 7 is a Bottom view of the water bottle as shown in FIG. 1.

1 Claim, 6 Drawing Sheets

(56) **References Cited**
U.S. PATENT DOCUMENTS
D465,385 S 11/2002 Miller D7/510
D537,676 S * 3/2007 Kingsley D7/510
D561,590 S * 2/2008 Kingsley D7/509
D565,901 S * 4/2008 Edelstein D7/510
D591,108 S 4/2009 Pesach et al.
D596,459 S 7/2009 Ghiassi
D600,073 S * 9/2009 Carreno D7/509
D638,709 S * 5/2011 Yourist D9/500
D675,063 S * 1/2013 Wahl D7/510
D705,012 S * 5/2014 Lapsker D7/523
D713,686 S * 9/2014 Eyal D7/509



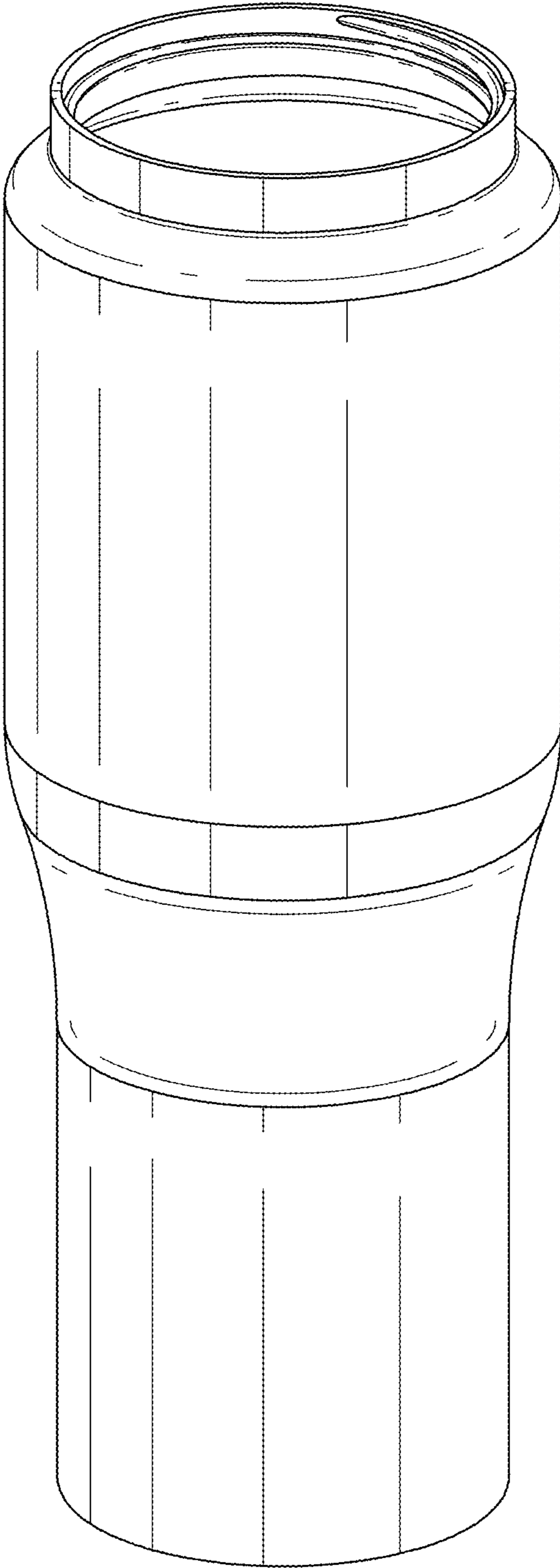


FIG. 1

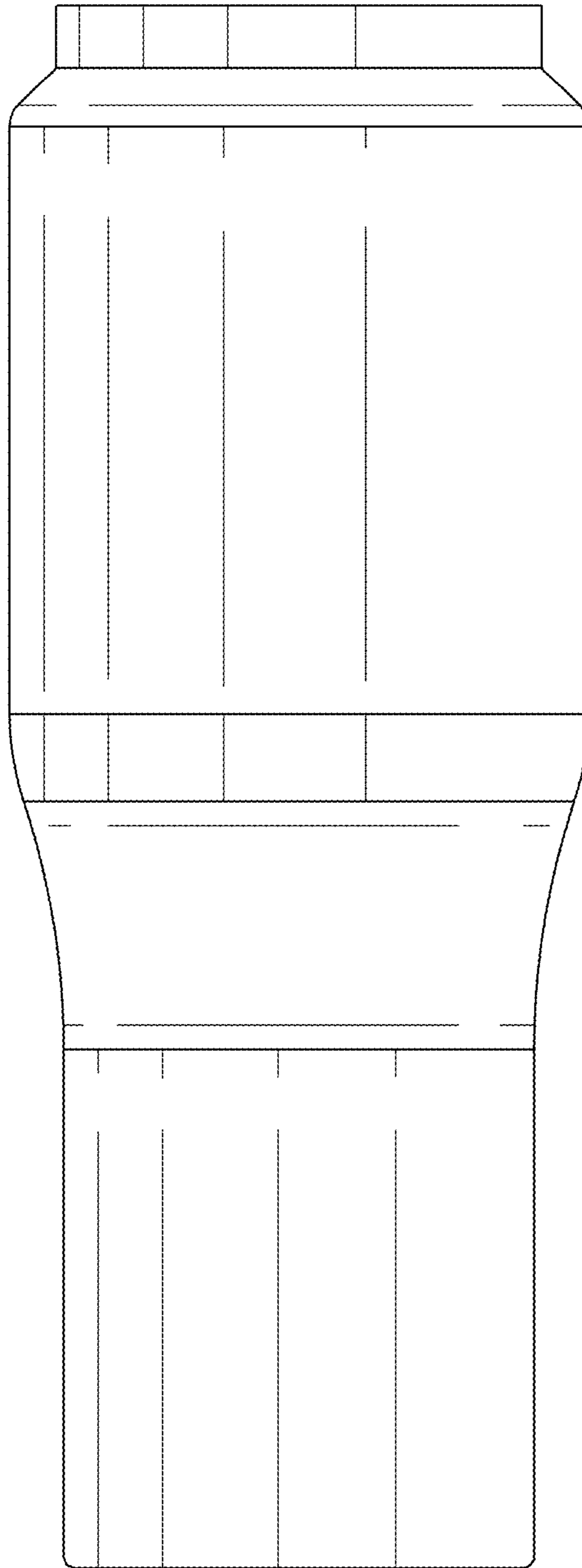


FIG. 2

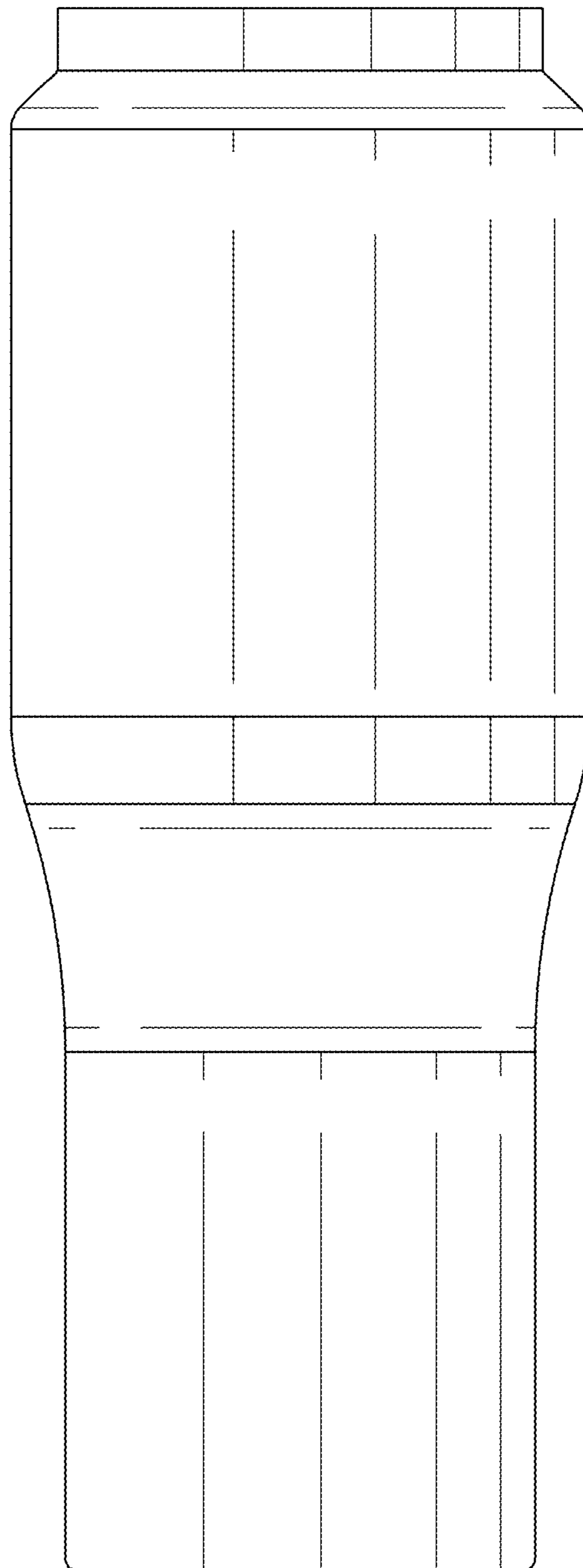


FIG. 3

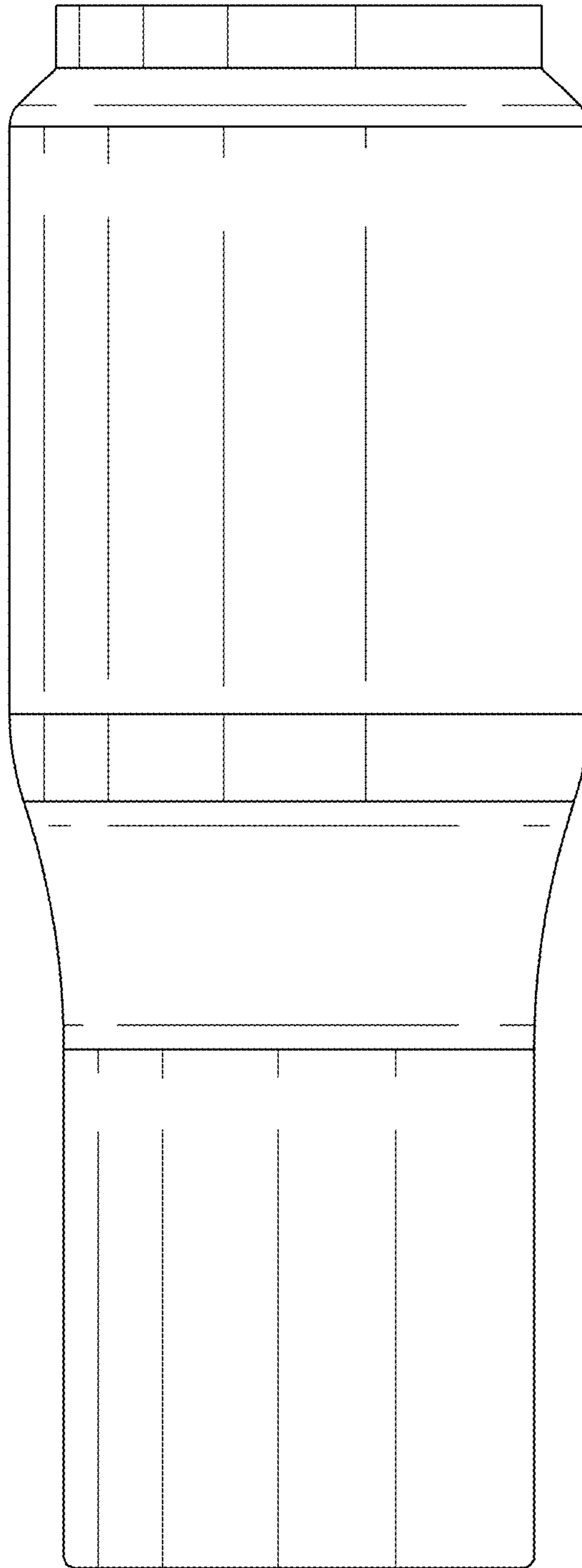


FIG. 4

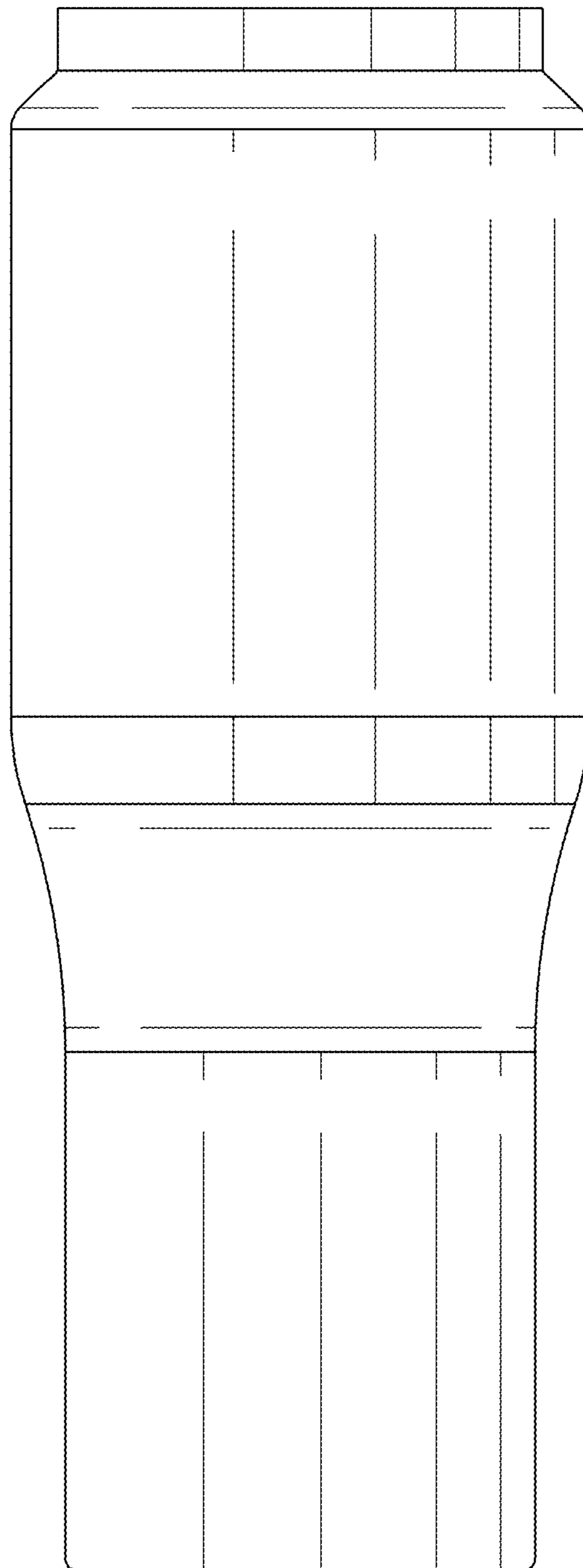


FIG. 5

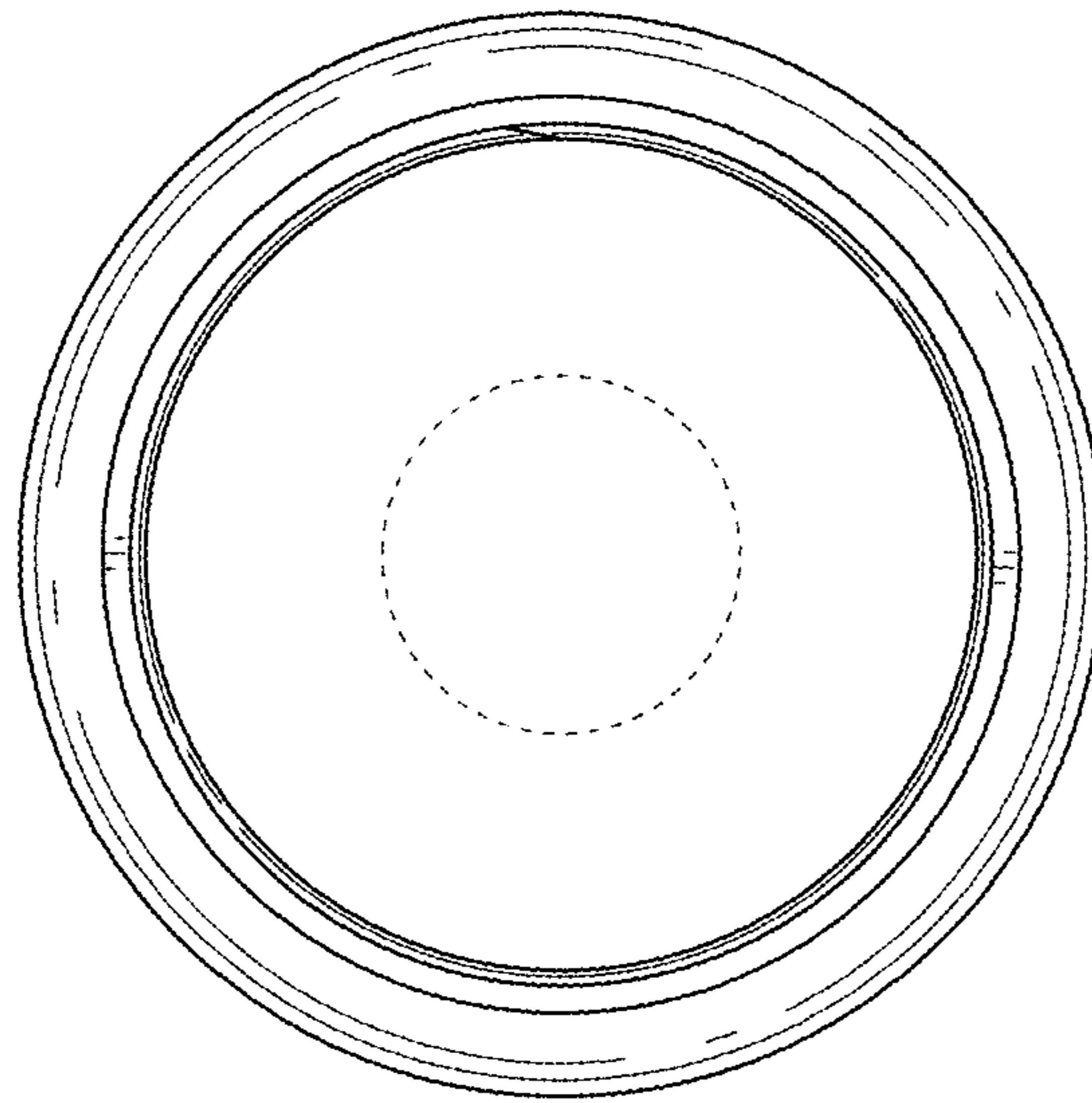


FIG. 6

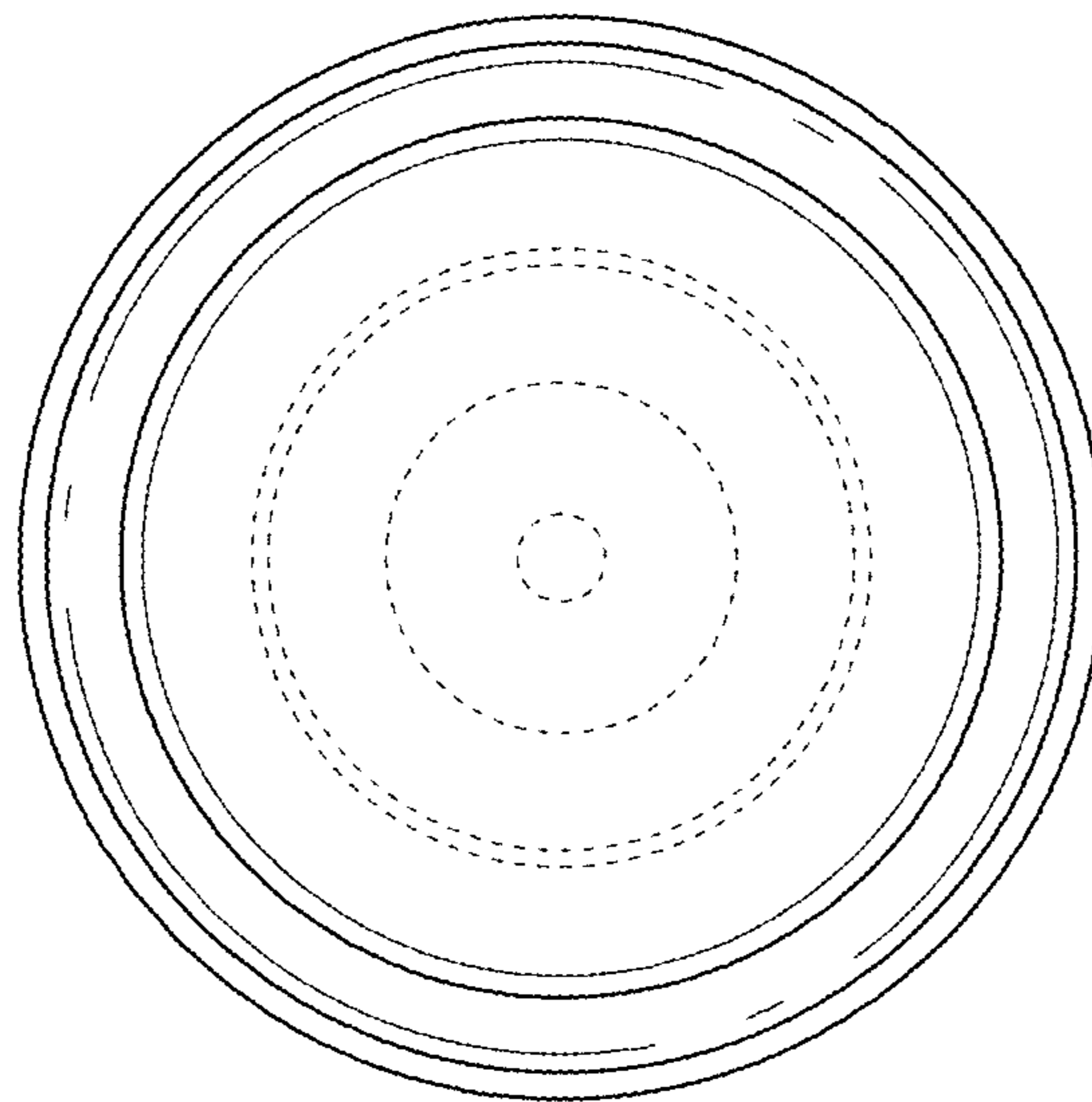


FIG. 7