



US00D889204S

(12) **United States Design Patent**
Bull

(10) **Patent No.:** **US D889,204 S**

(45) **Date of Patent:** **** Jul. 7, 2020**

(54) **TUMBLER**

(71) Applicant: **Dart Industries Inc.**, Orlando, FL (US)

(72) Inventor: **David P. Bull**, Hemel Hempstead (GB)

(73) Assignee: **Dart Industries Inc.**, Orlando, FL (US)

(**) Term: **15 Years**

(21) Appl. No.: **29/642,163**

(22) Filed: **Mar. 28, 2018**

(51) **LOC (12) Cl.** **07-01**

(52) **U.S. Cl.**

USPC **D7/523; D7/509**

(58) **Field of Classification Search**

USPC D7/310, 312, 314, 315, 316, 317, 318,
D7/319, 320, 591, 592, 598, 600, 622,
D7/667, 668, 392, 392.1, 396.6, 503, 507,
D7/509, 510, 511, 514, 515, 522, 513,
D7/523, 533, 559, 535, 532, 403;
D9/500, 678, 669, 715, 719, 536, 528,
D9/531, 534, 435, 440, 443; 215/380,
215/382, 398, 396; 220/495.03, 23, 494;
206/217; 229/400, 402, 404

CPC A47J 31/14; A47J 36/14; A47J 31/005;
A47J 31/00; A47G 19/14; A47G 19/2272

See application file for complete search history.

(56) **References Cited**

U.S. PATENT DOCUMENTS

- 2,012,113 A * 8/1935 Thompson A47G 19/2205
215/363
- 3,137,431 A * 6/1964 Crouse B65D 3/02
229/400
- D220,845 S * 6/1971 Mascetti D7/533
- D222,732 S * 12/1971 Howard D7/536
- D248,075 S 6/1978 Daenen
- D282,232 S * 1/1986 Bussell D7/509
- D282,331 S * 1/1986 Pozzi D7/509
- D286,725 S 11/1986 Zieff

(Continued)

OTHER PUBLICATIONS

https://www.amazon.com/Color-Changing-Mug-Believe-Porcelain/dp/B01E0PKHR6/ref=sr_1_133?ie=UTF8&qid=1549300527&sr=8-133&keywords=square+tea+mug (Year: 2016).*

(Continued)

Primary Examiner — Jae Liang

(74) *Attorney, Agent, or Firm* — Taylor J. Ross

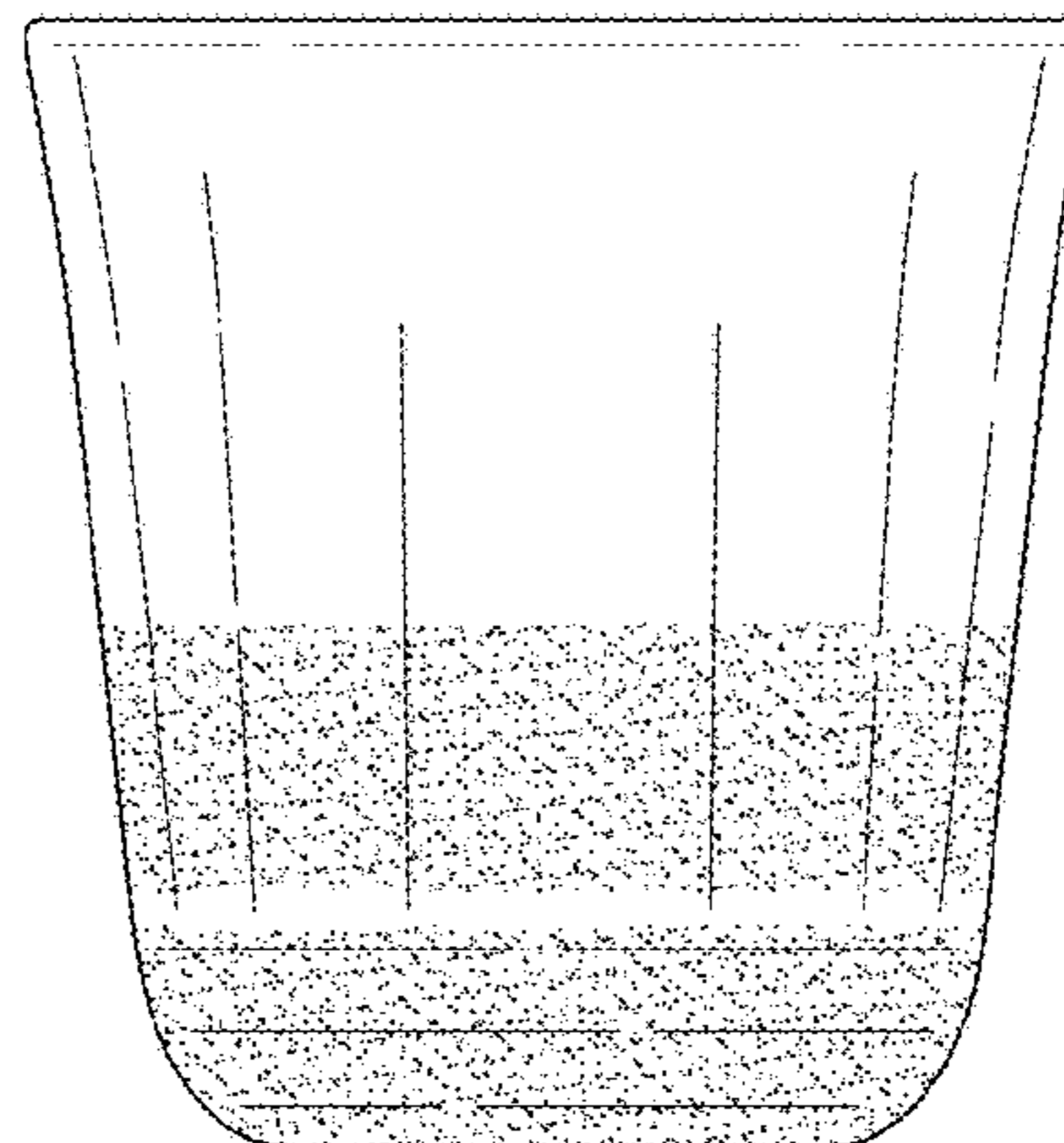
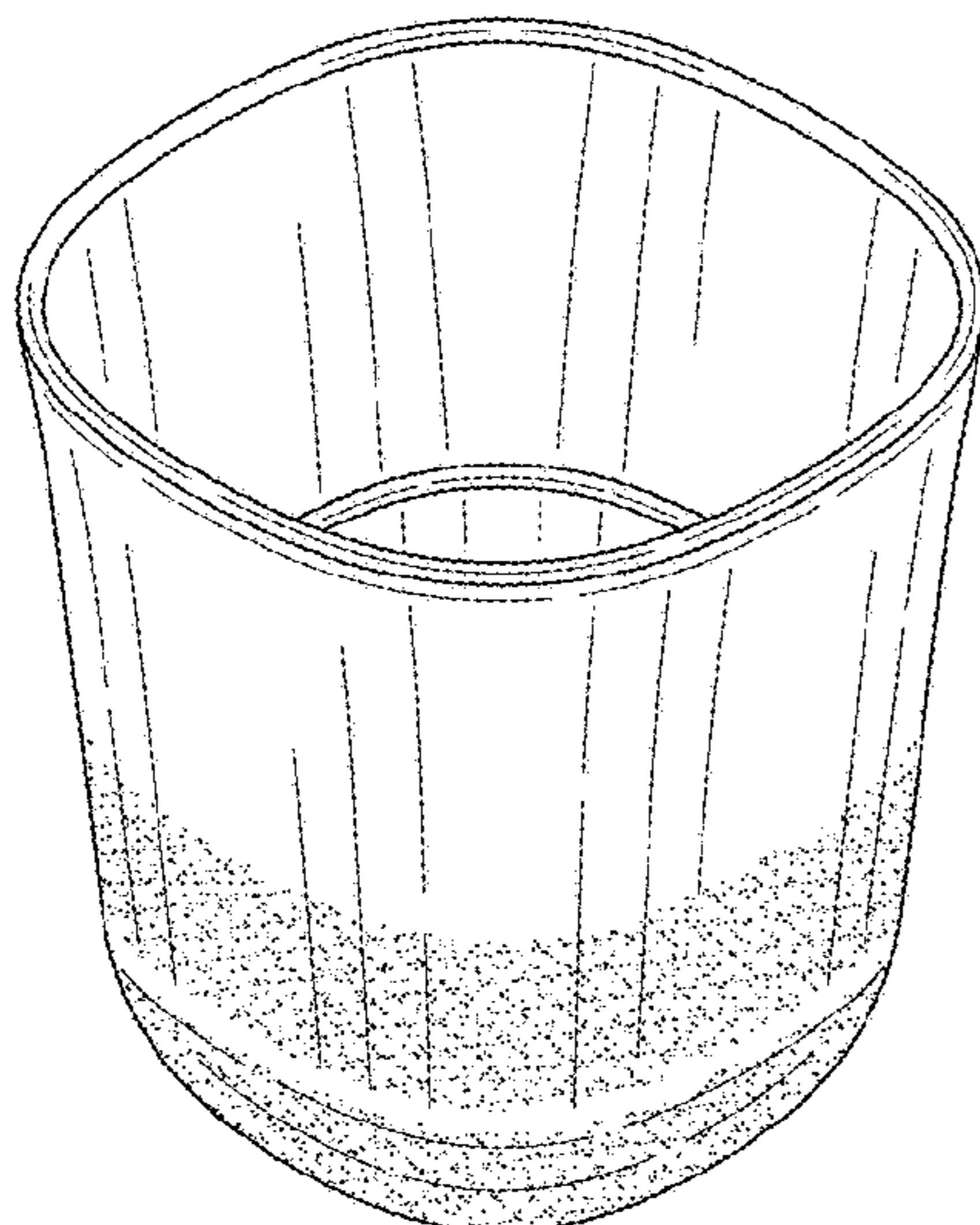
(57) **CLAIM**

The ornamental design for a tumbler, as shown and described.

DESCRIPTION

FIG. 1 is a top, front and left side isometric view of a first embodiment of a tumbler showing my new design;
 FIG. 2 is a bottom, rear and left side isometric view thereof;
 FIG. 3 is a top plan view thereof;
 FIG. 4 is a bottom plan view thereof;
 FIG. 5 is a front elevation view, the rear elevation being identical thereto;
 FIG. 6 is a left side elevation view, the right side elevation being identical thereto;
 FIG. 7 is a cross-sectional view taken along line 7-7 of FIG. 3;
 FIG. 8 is a top, front and left side isometric view of a second embodiment of a tumbler showing my new design;
 FIG. 9 is a bottom, rear and left side isometric view thereof;
 FIG. 10 is a top plan view thereof;
 FIG. 11 is a bottom plan view thereof;
 FIG. 12 is a front elevation view, the rear elevation being identical thereto;
 FIG. 13 is a left side elevation view, the right side elevation being identical thereto; and,
 FIG. 14 is a cross-sectional view taken along line 7-7 of FIG. 10.

1 Claim, 6 Drawing Sheets



(56)

References Cited

U.S. PATENT DOCUMENTS

D288,766 S * 3/1987 Tardif D7/523
 D309,553 S * 7/1990 Daenen D7/591
 D331,173 S * 11/1992 Durand D7/507
 D340,385 S * 10/1993 Durand D7/509
 D359,417 S * 6/1995 Chen D7/510
 D381,869 S 8/1997 Jeppesen et al.
 D424,877 S * 5/2000 Cayouette D7/509
 D433,205 S * 10/2000 Cayouette D34/1
 D462,294 S * 9/2002 Walsh D11/143
 D474,073 S 5/2003 Rorke et al.
 D527,583 S * 9/2006 Freeman D7/509
 D536,148 S * 1/2007 Schiefer D34/1
 D542,098 S * 5/2007 Wasserman D7/584
 D543,326 S * 5/2007 Dretzka D11/152
 D561,537 S * 2/2008 Schosser D7/533
 D574,191 S 8/2008 Ablo
 D574,192 S * 8/2008 Schosser D7/509
 D587,527 S * 3/2009 Wolhendler D7/509
 D615,819 S * 5/2010 Wang Chen D7/533
 D622,547 S * 8/2010 Carreno D7/510
 D623,900 S * 9/2010 Wolhendler D7/533
 D623,984 S * 9/2010 Bas D11/146
 D631,700 S * 2/2011 Flick D7/509
 D649,085 S * 11/2011 Tremblay D11/155
 D659,472 S * 5/2012 D'Amato D7/509

D659,586 S * 5/2012 Brandstatter D11/155
 D663,163 S * 7/2012 Dick D7/507
 D667,151 S * 9/2012 Arslanian D26/9
 D682,088 S * 5/2013 de Urquijo Carmona D9/428
 D722,526 S * 2/2015 Forester D11/155
 D764,233 S * 8/2016 Lee D7/509
 D764,234 S * 8/2016 Lee D7/509
 D770,231 S * 11/2016 Hume D7/523
 D770,852 S * 11/2016 Vu D7/510
 D790,923 S * 7/2017 Boroski D7/529
 D805,352 S * 12/2017 Thuma D7/523
 D805,354 S * 12/2017 Bielawski D7/523
 D812,430 S * 3/2018 McLaughlin D7/523
 D817,718 S * 5/2018 Furneaux D7/532
 D818,773 S * 5/2018 Fairchild, Jr. D7/509
 D820,640 S * 6/2018 Aviav D7/529
 D821,144 S * 6/2018 Fairchild, Jr. D7/509
 D825,791 S * 8/2018 Patti D26/9
 D826,641 S * 8/2018 Nickley D7/510
 D828,097 S * 9/2018 Silsby D7/523
 2018/0213955 A1 * 8/2018 McLaughlin A47G 19/2205

OTHER PUBLICATIONS

<https://www.madaboutpottery.com/collections/mugs-cups/products/copy-of-colorful-stoneware-ceramic-tumblers-10-fl-oz> (Year: 2019).*

* cited by examiner

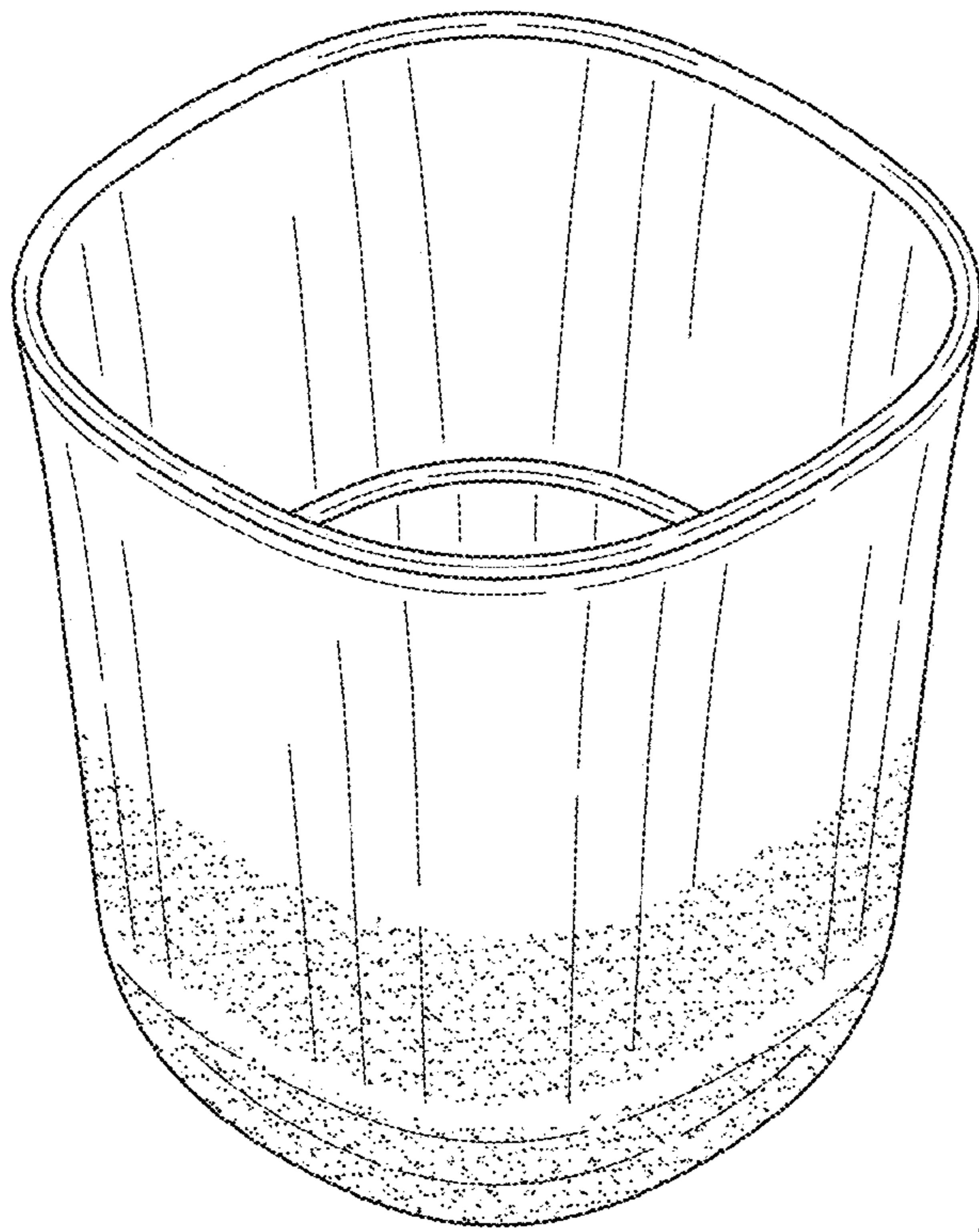


FIG. 1

FIG. 2

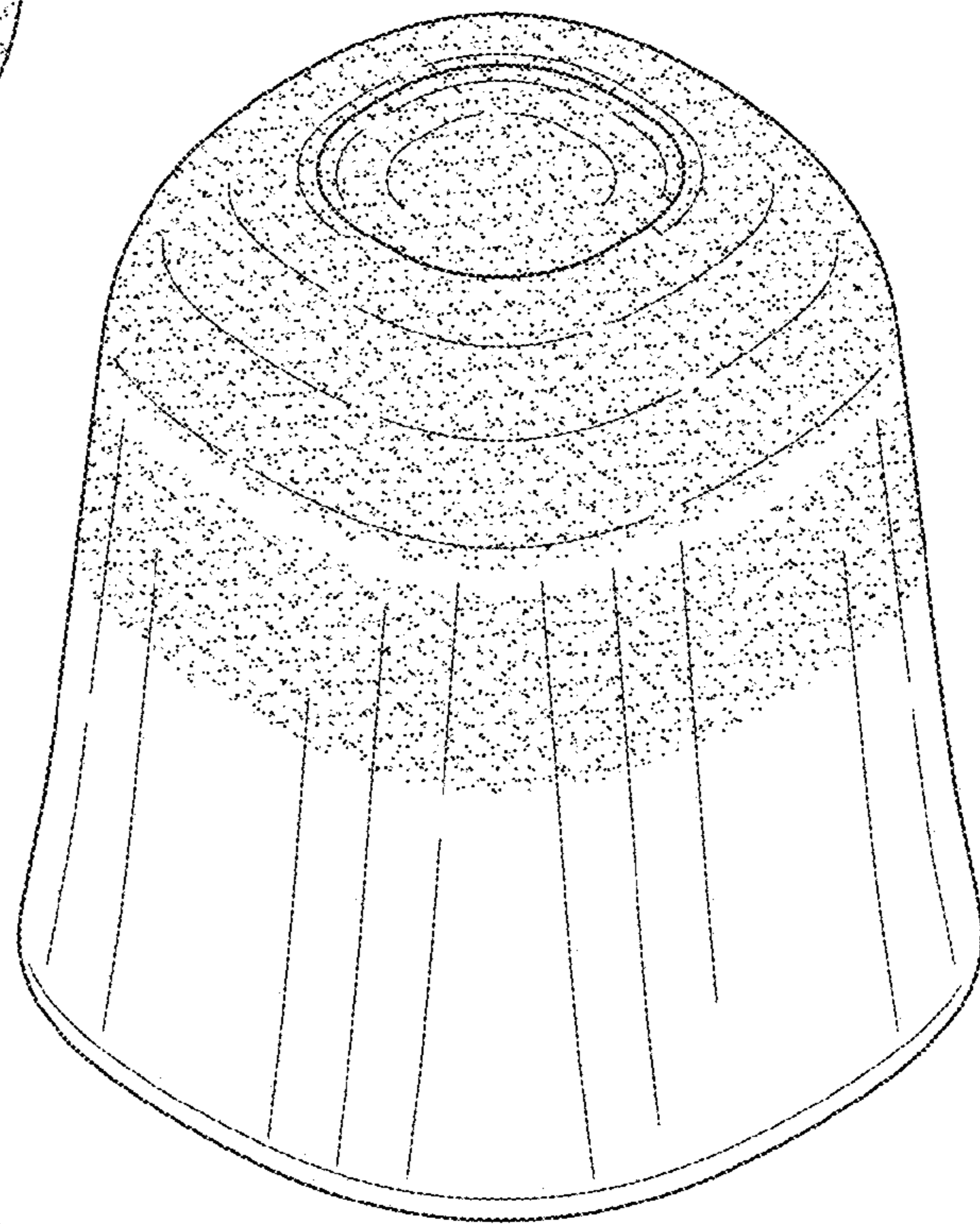
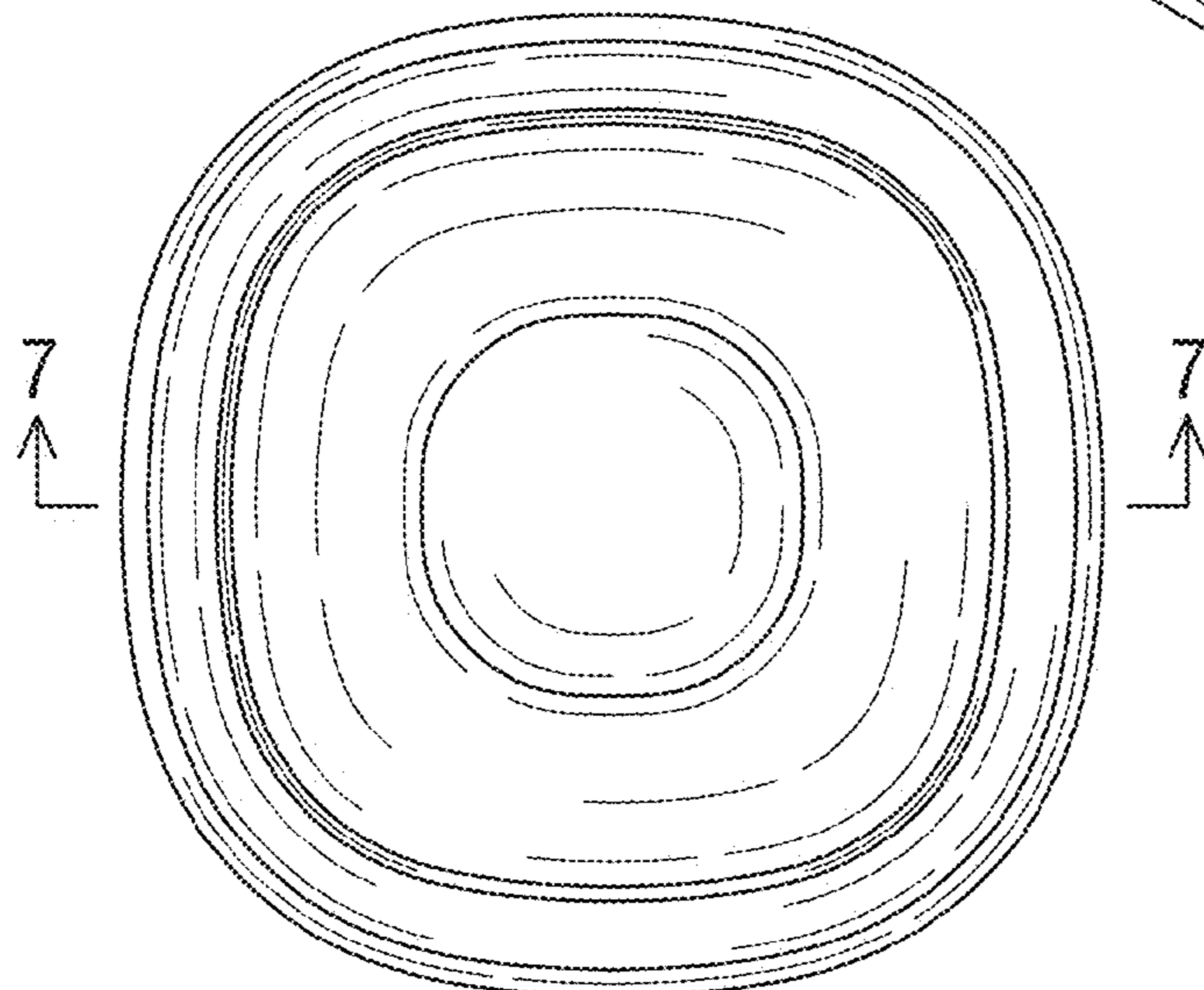


FIG. 3



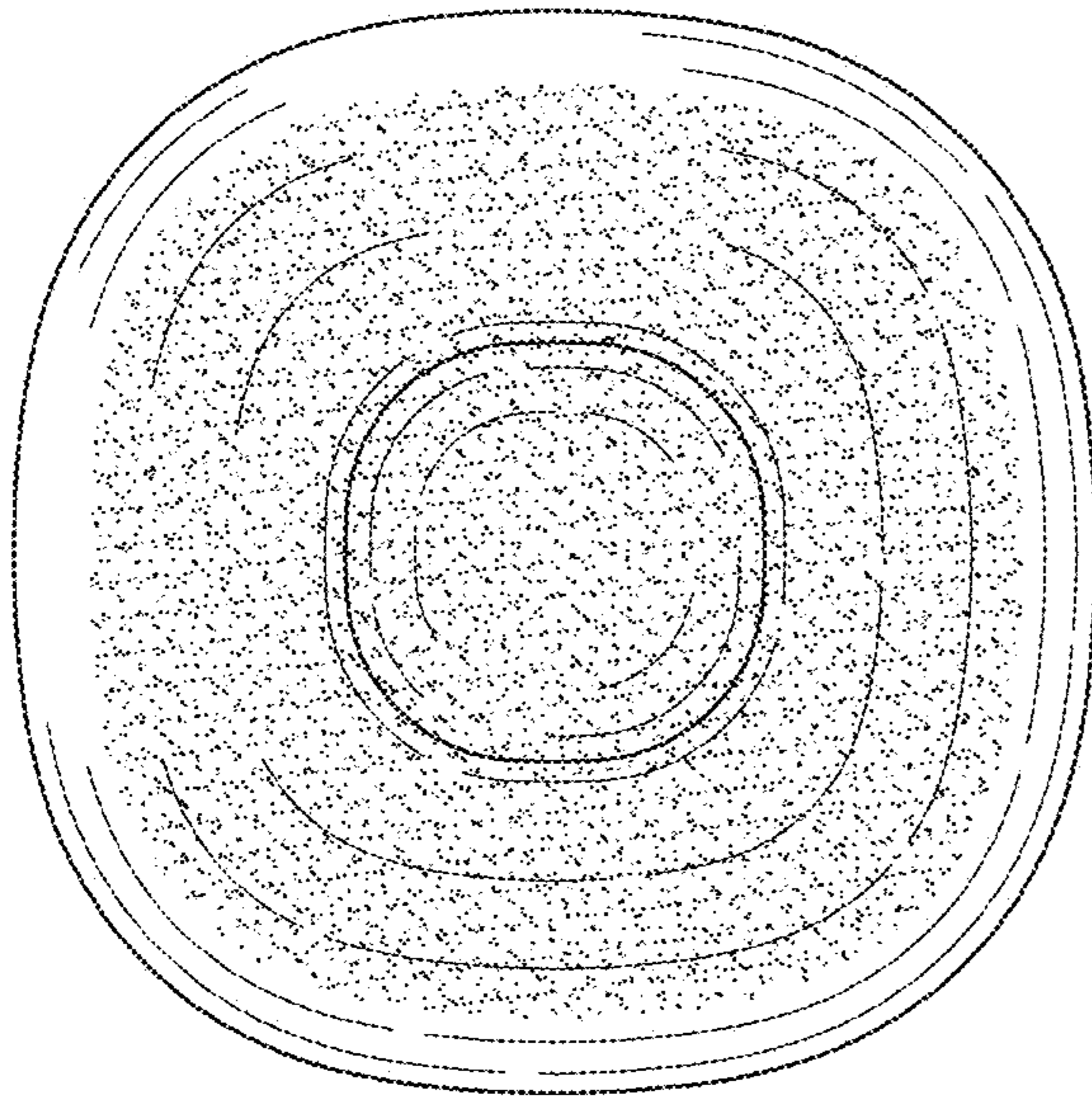


FIG. 4

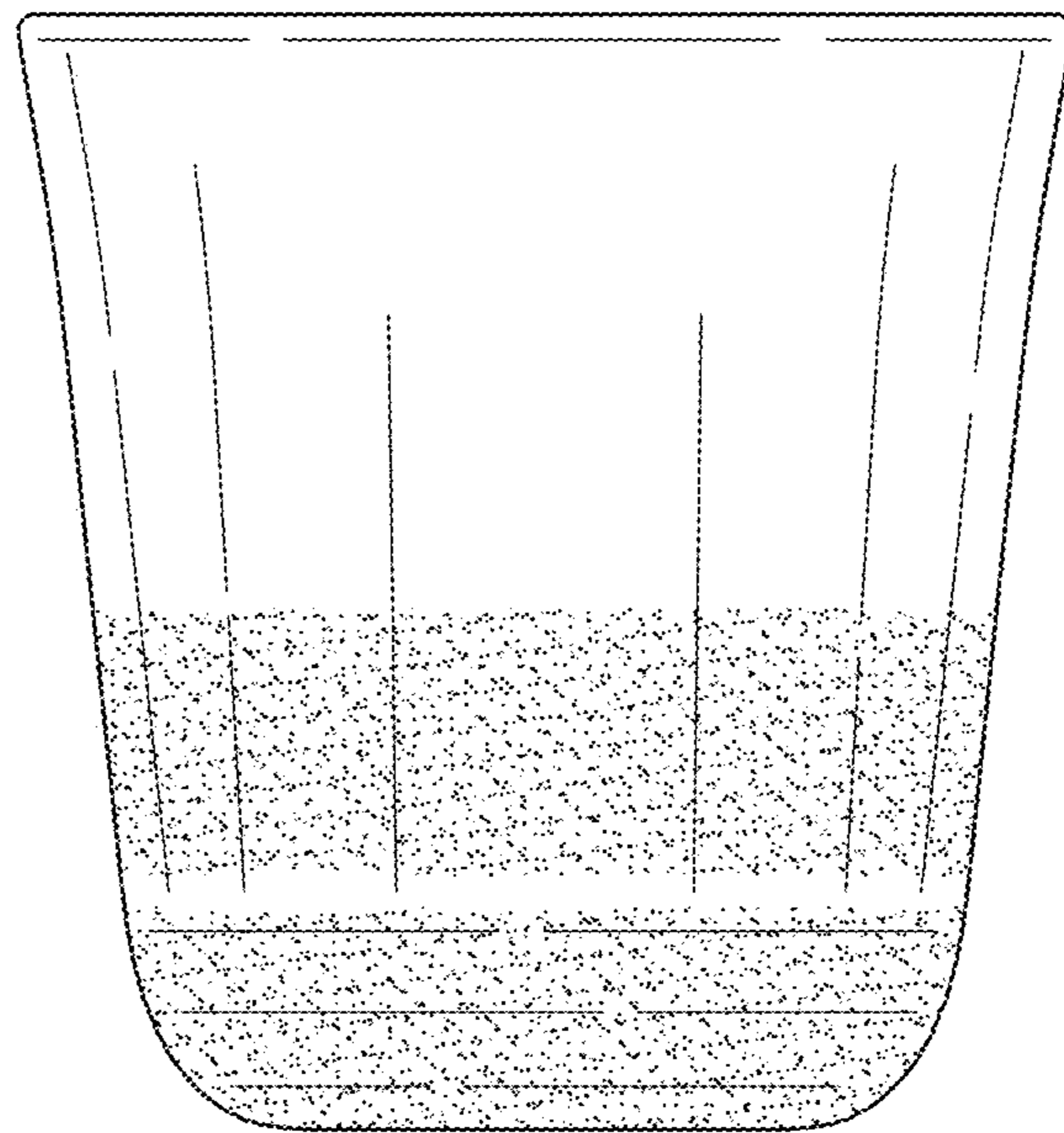


FIG. 5

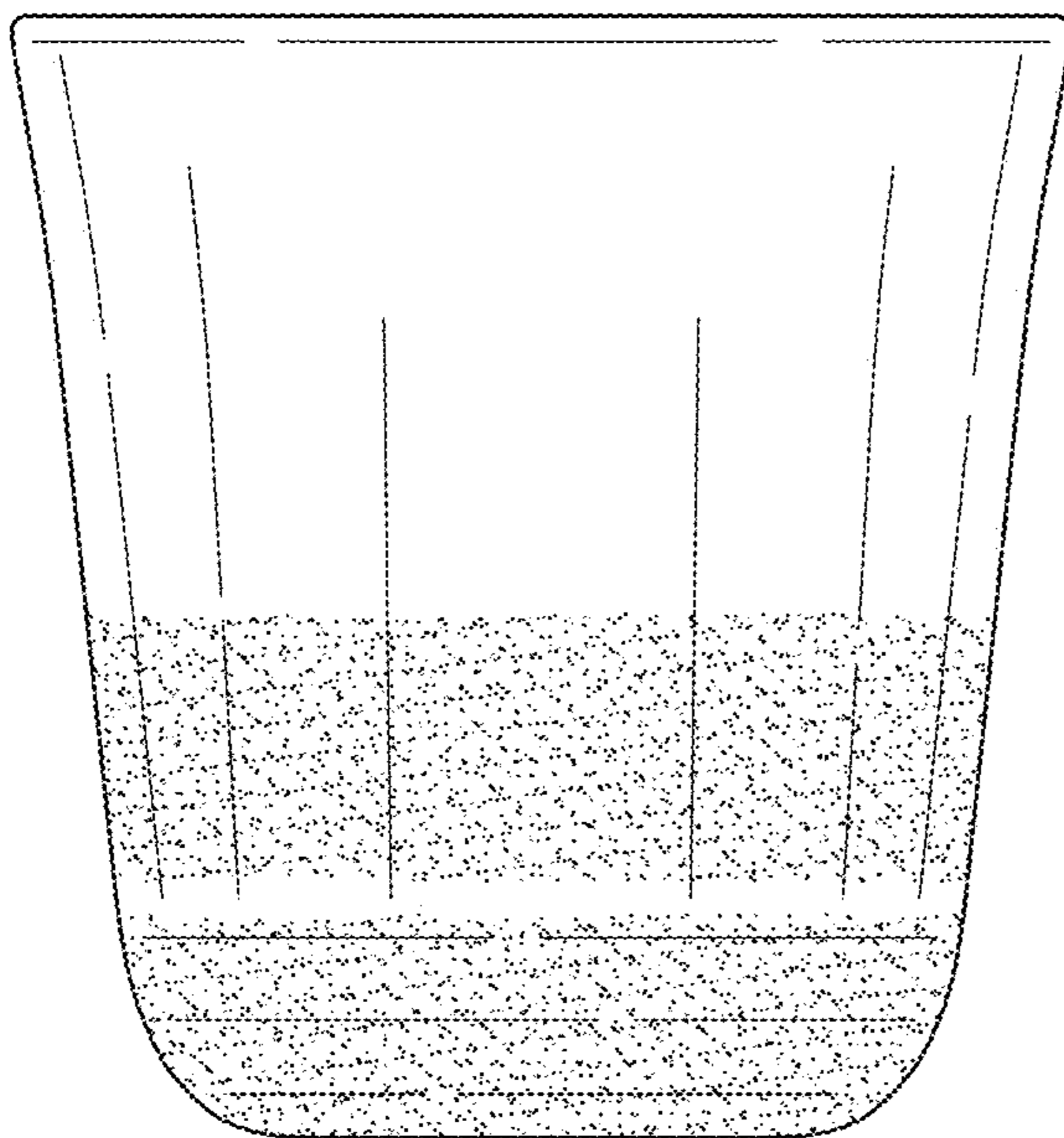
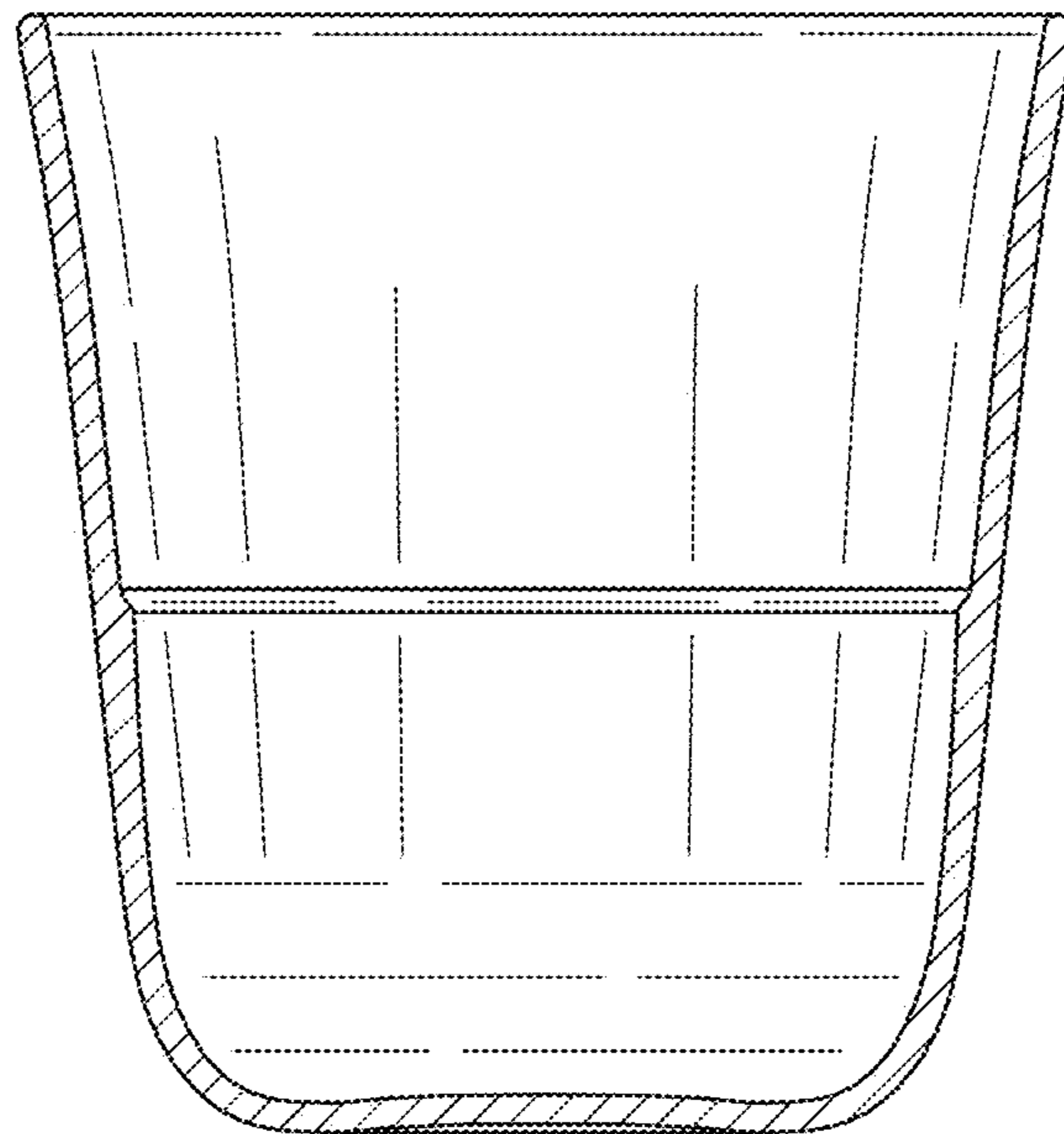


FIG. 6

FIG. 7



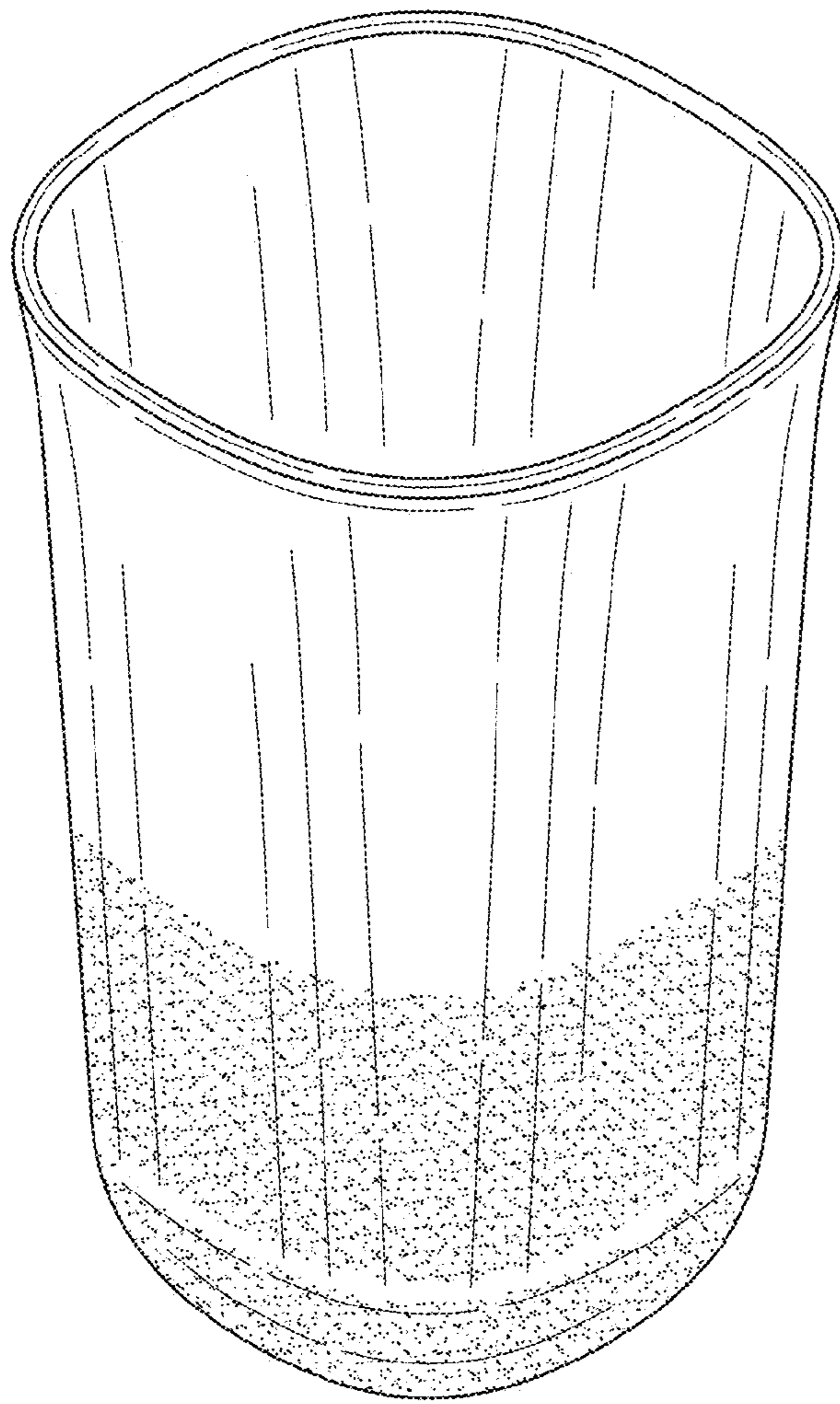
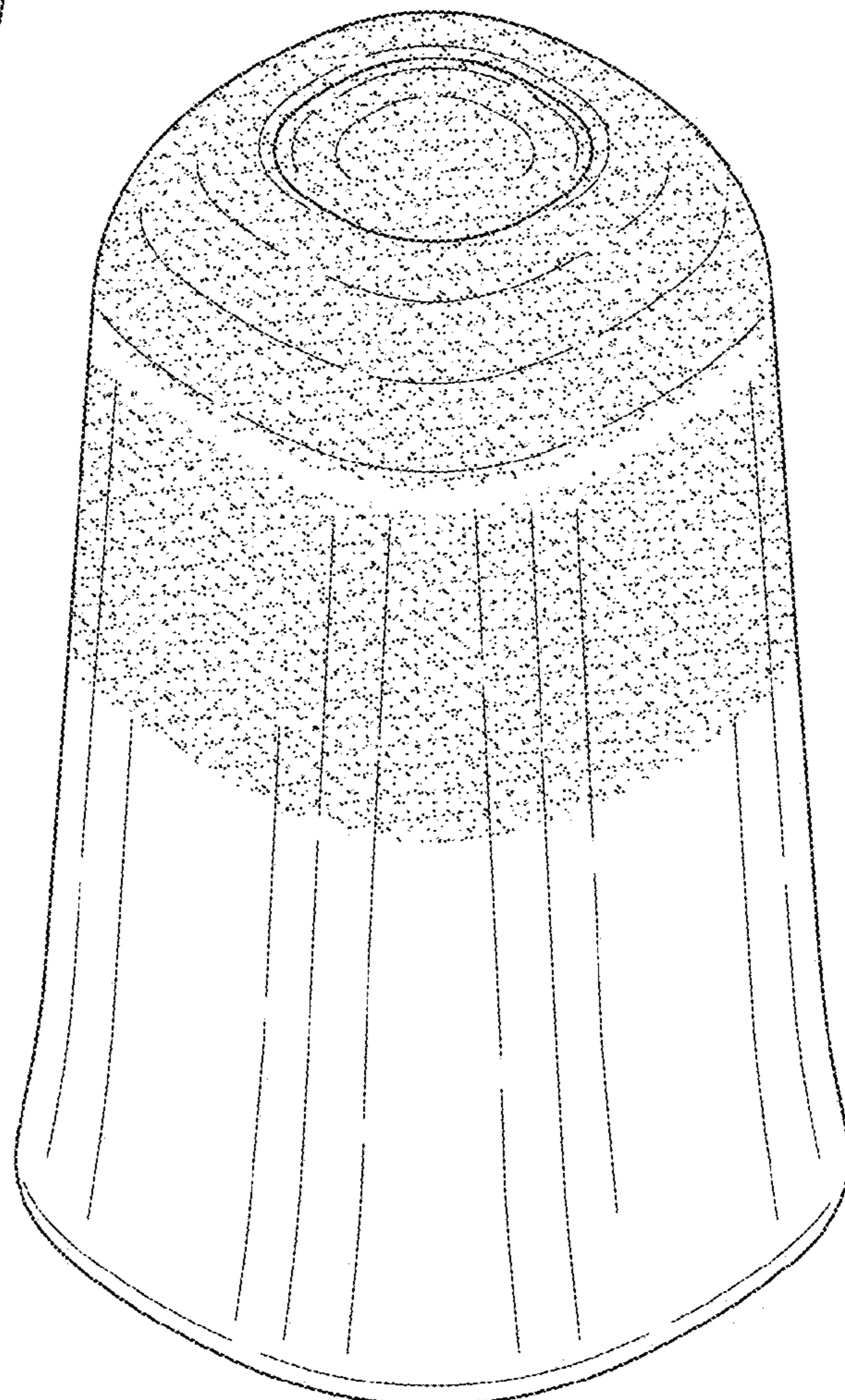


FIG. 8

FIG. 9



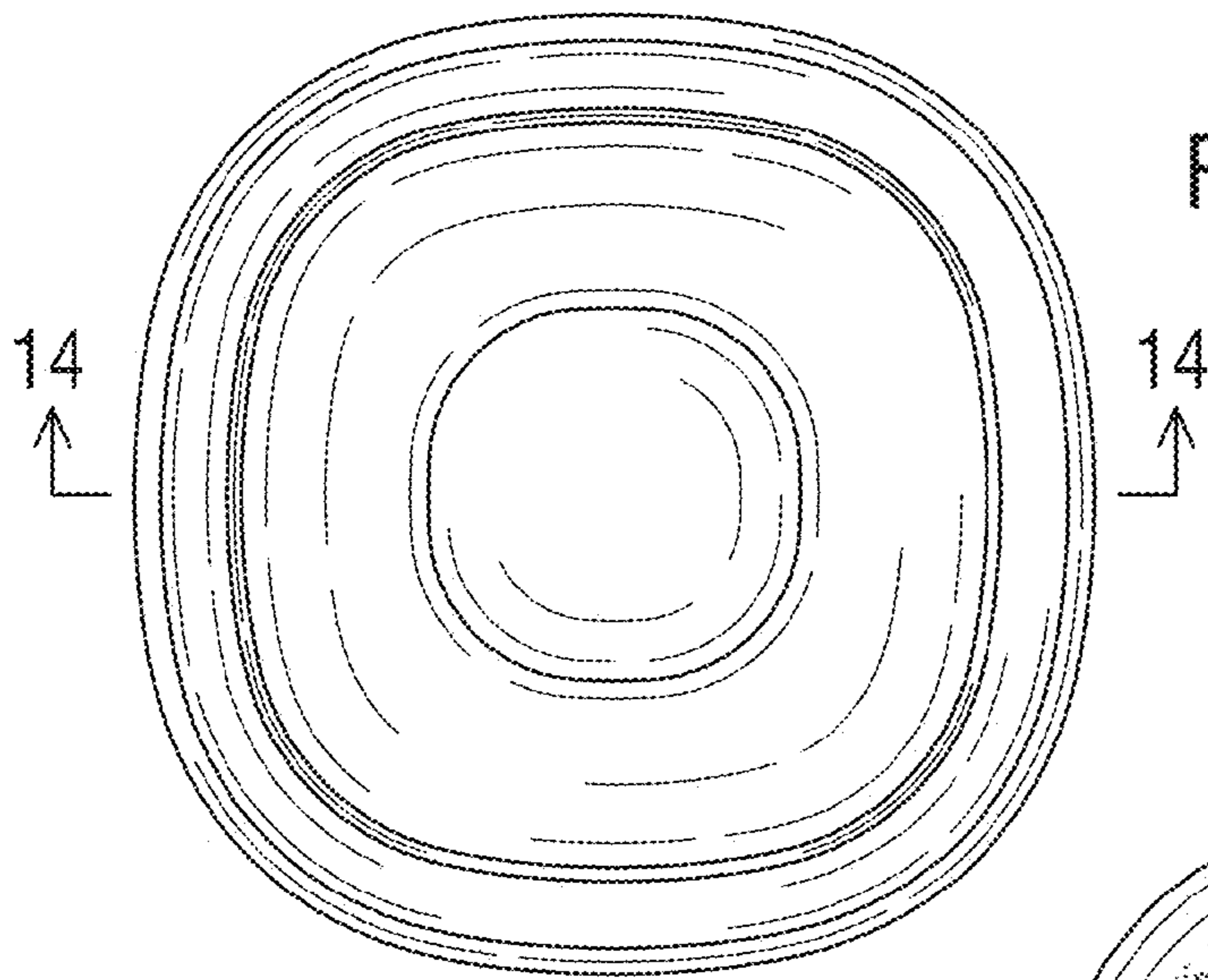


FIG. 10

FIG. 11

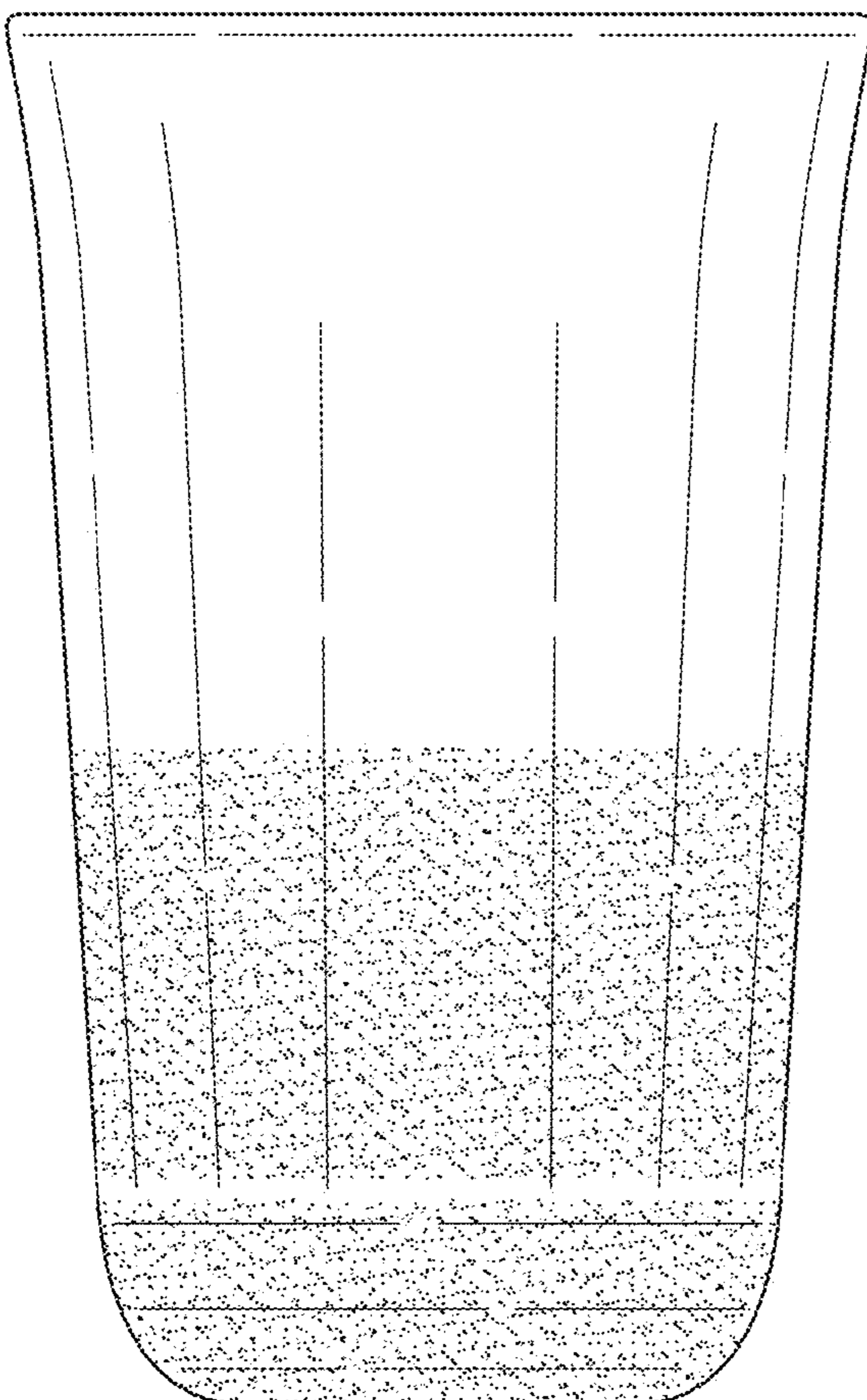
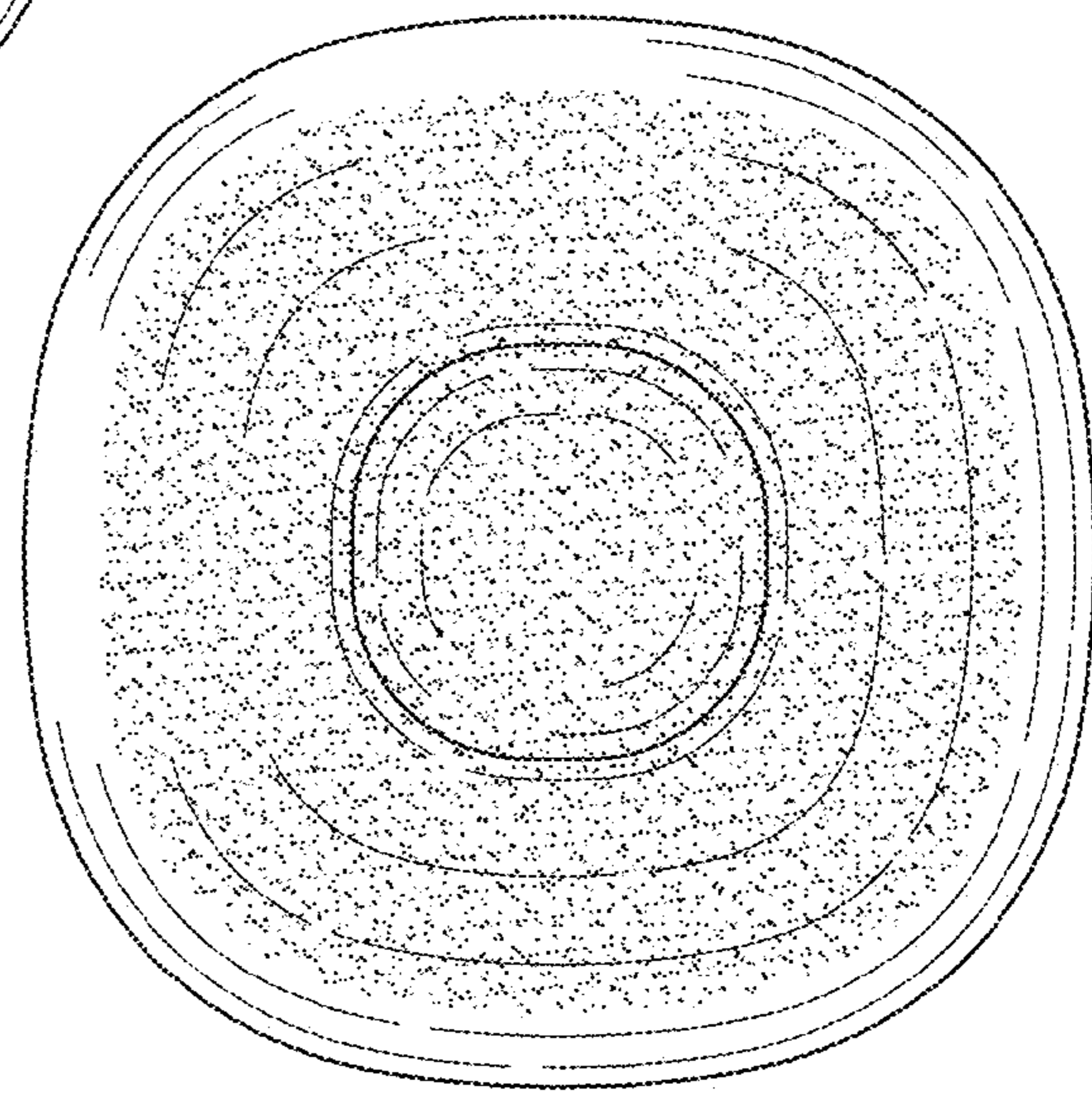


FIG. 12

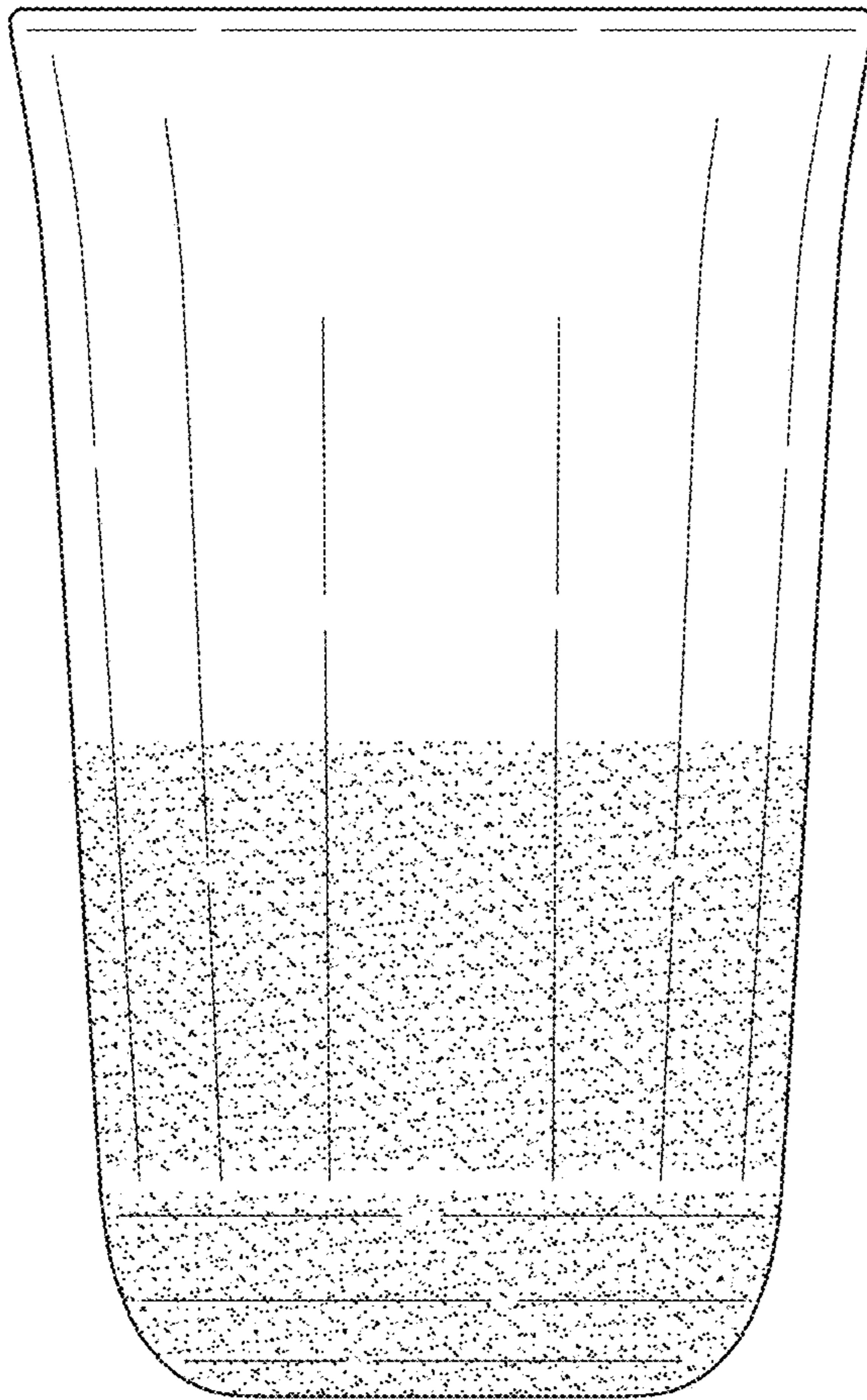


FIG. 13

FIG. 14

