



US00D889203S

(12) **United States Design Patent** (10) **Patent No.:** **US D889,203 S**  
**Bull** (45) **Date of Patent:** **\*\* Jul. 7, 2020**

(54) **TUMBLER**

(71) Applicant: **Dart Industries Inc.**, Orlando, FL (US)  
(72) Inventor: **David P. Bull**, Hemel Hempstead (GB)  
(73) Assignee: **Dart Industries Inc.**, Orlando, FL (US)  
(\*\*) Term: **15 Years**  
(21) Appl. No.: **29/642,160**

(22) Filed: **Mar. 28, 2018**  
(51) **LOC (12) Cl.** ..... **07-01**  
(52) **U.S. Cl.**  
USPC ..... **D7/523; D7/509**

(58) **Field of Classification Search**  
USPC ..... D7/310, 312, 314, 315, 316, 317, 318,  
D7/319, 320, 591, 592, 598, 600, 622,  
D7/667, 668, 392, 392.1, 396.6, 503, 507,  
D7/509, 510, 511, 514, 515, 522, 513,  
D7/523, 533, 559, 535, 532, 403;  
D9/500, 678, 669, 715, 719, 536, 528,  
D9/531, 534, 435, 440, 443; 215/380,  
215/382, 398, 396; 220/495.03, 23, 494;  
206/217; 229/400, 402, 404  
CPC ..... A47J 31/14; A47J 36/14; A47J 31/005;  
A47J 31/00; A47G 19/14; A47G 19/2272  
See application file for complete search history.

(56) **References Cited**

**U.S. PATENT DOCUMENTS**

2,012,113 A \* 8/1935 Thompson ..... A47G 19/2205  
215/363  
3,137,431 A \* 6/1964 Crouse ..... B65D 3/02  
229/400  
D220,845 S \* 6/1971 Mascetti ..... D7/533  
D222,732 S \* 12/1971 Howard ..... D7/536  
D248,075 S 6/1978 Daenen  
D282,232 S \* 1/1986 Bussell ..... D7/509  
D282,331 S \* 1/1986 Pozzi ..... D7/509  
D286,725 S 11/1986 Zieff

(Continued)

**OTHER PUBLICATIONS**

[https://www.amazon.com/Color-Changing-Mug-Believe-Porcelain/dp/B01E0PKHR6/ref=sr\\_1\\_133?ie=UTF8&qid=1549300527&sr=8-133&keywords=square+tea+mug](https://www.amazon.com/Color-Changing-Mug-Believe-Porcelain/dp/B01E0PKHR6/ref=sr_1_133?ie=UTF8&qid=1549300527&sr=8-133&keywords=square+tea+mug) (Year: 2016).\*

(Continued)

*Primary Examiner* — Jae Liang

(74) *Attorney, Agent, or Firm* — Taylor J. Ross

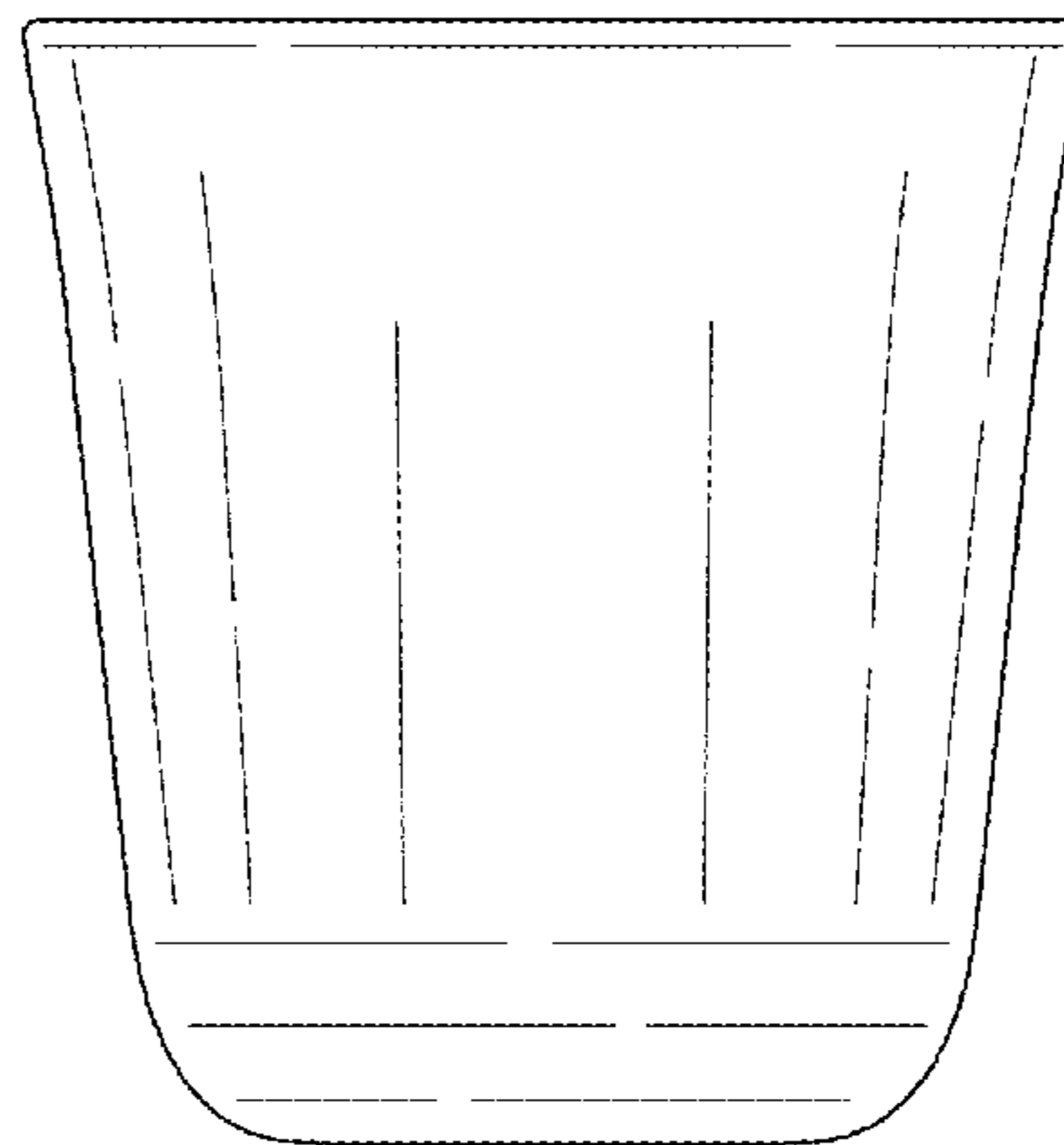
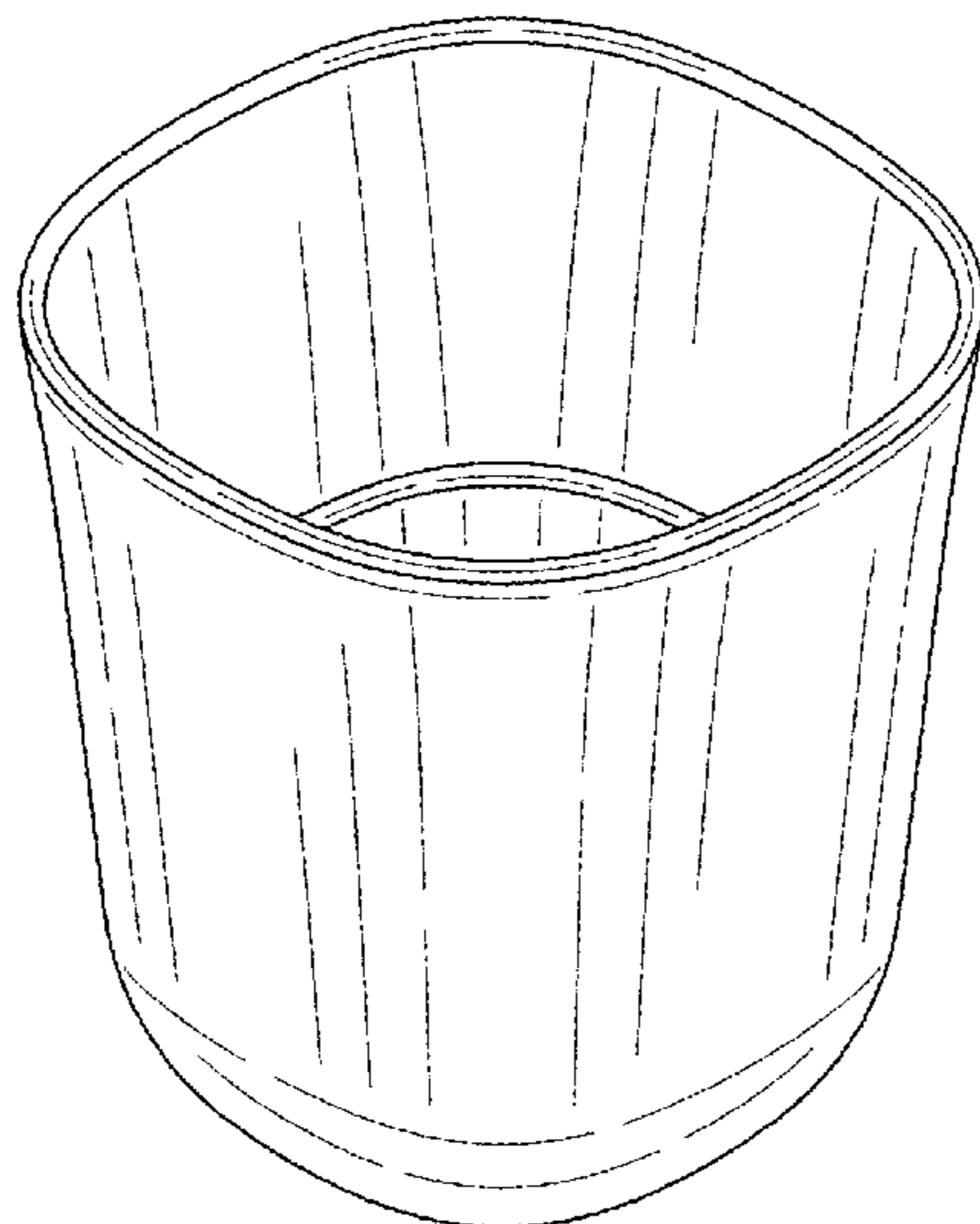
(57) **CLAIM**

The ornamental design for a tumbler, as shown and described.

**DESCRIPTION**

FIG. 1 is a top, front and left side isometric view of a first embodiment of a tumbler showing my new design; FIG. 2 is a bottom, rear and left side isometric view thereof; FIG. 3 is a top plan view thereof; FIG. 4 is a bottom plan view thereof; FIG. 5 is a front elevation view, the rear elevation being identical thereto; FIG. 6 is a left side elevation view, the right side elevation being identical thereto; FIG. 7 is a cross-sectional view taken along line 7-7 of FIG. 3; FIG. 8 is a top, front and left side isometric view of a second embodiment of a tumbler showing my new design; FIG. 9 is a bottom, rear and left side isometric view thereof; FIG. 10 is a top plan view thereof; FIG. 11 is a bottom plan view thereof; FIG. 12 is a front elevation view, the rear elevation being identical thereto; FIG. 13 is a left side elevation view, the right side elevation being identical thereto; and, FIG. 14 is a cross-sectional view taken along line 14-14 of FIG. 10.

**1 Claim, 6 Drawing Sheets**



(56)

References Cited

U.S. PATENT DOCUMENTS

D288,766 S \* 3/1987 Tardif ..... D7/523  
 D309,553 S \* 7/1990 Daenen ..... D7/591  
 D331,173 S \* 11/1992 Durand ..... D7/507  
 D340,385 S \* 10/1993 Durand ..... D7/509  
 D359,417 S \* 6/1995 Chen ..... D7/510  
 D381,869 S 8/1997 Jeppesen et al.  
 D424,877 S \* 5/2000 Cayouette ..... D7/509  
 D433,205 S \* 10/2000 Cayouette ..... D34/1  
 D462,294 S \* 9/2002 Walsh ..... D11/143  
 D474,073 S 5/2003 Rorke et al.  
 D527,583 S \* 9/2006 Freeman ..... D7/509  
 D536,148 S \* 1/2007 Schiefer ..... D34/1  
 D542,098 S \* 5/2007 Wasserman ..... D7/584  
 D543,326 S \* 5/2007 Dretzka ..... D11/152  
 D561,537 S \* 2/2008 Schosser ..... D7/533  
 D574,191 S 8/2008 Ablo  
 D574,192 S \* 8/2008 Schosser ..... D7/509  
 D587,527 S \* 3/2009 Wolhender ..... D7/509  
 D615,819 S \* 5/2010 Wang Chen ..... D7/533  
 D622,547 S \* 8/2010 Carreno ..... D7/510  
 D623,900 S \* 9/2010 Wolhender ..... D7/533  
 D623,984 S \* 9/2010 Bas ..... D11/146  
 D631,700 S \* 2/2011 Flick ..... D7/509  
 D649,085 S \* 11/2011 Tremblay ..... D11/155  
 D659,472 S \* 5/2012 D'Amato ..... D7/509

D659,586 S \* 5/2012 Brandstatter ..... D11/155  
 D663,163 S \* 7/2012 Dick ..... D7/507  
 D667,151 S \* 9/2012 Arslanian ..... D26/9  
 D682,088 S \* 5/2013 de Urquijo Carmona .... D9/428  
 D722,526 S \* 2/2015 Forester ..... D11/155  
 D764,233 S \* 8/2016 Lee ..... D7/509  
 D764,234 S \* 8/2016 Lee ..... D7/509  
 D770,231 S \* 11/2016 Hume ..... D7/523  
 D770,852 S \* 11/2016 Vu ..... D7/510  
 D790,923 S \* 7/2017 Boroski ..... D7/529  
 D805,352 S \* 12/2017 Thuma ..... D7/523  
 D805,354 S \* 12/2017 Bielawski ..... D7/523  
 D812,430 S \* 3/2018 McLaughlin ..... D7/523  
 D817,718 S \* 5/2018 Furneaux ..... D7/532  
 D818,773 S \* 5/2018 Fairchild, Jr. .... D7/509  
 D820,640 S \* 6/2018 Aviav ..... D7/529  
 D821,144 S \* 6/2018 Fairchild, Jr. .... D7/509  
 D825,791 S \* 8/2018 Patti ..... D26/9  
 D826,641 S \* 8/2018 Nickley ..... D7/510  
 D828,097 S \* 9/2018 Silsby ..... D7/523  
 2018/0213955 A1 \* 8/2018 McLaughlin ..... A47G 19/2205

OTHER PUBLICATIONS

<https://www.madaboutpottery.com/collections/mugs-cups/products/copy-of-colorful-stoneware-ceramic-tumblers-10-fl-oz> (Year: 2019).\*

\* cited by examiner

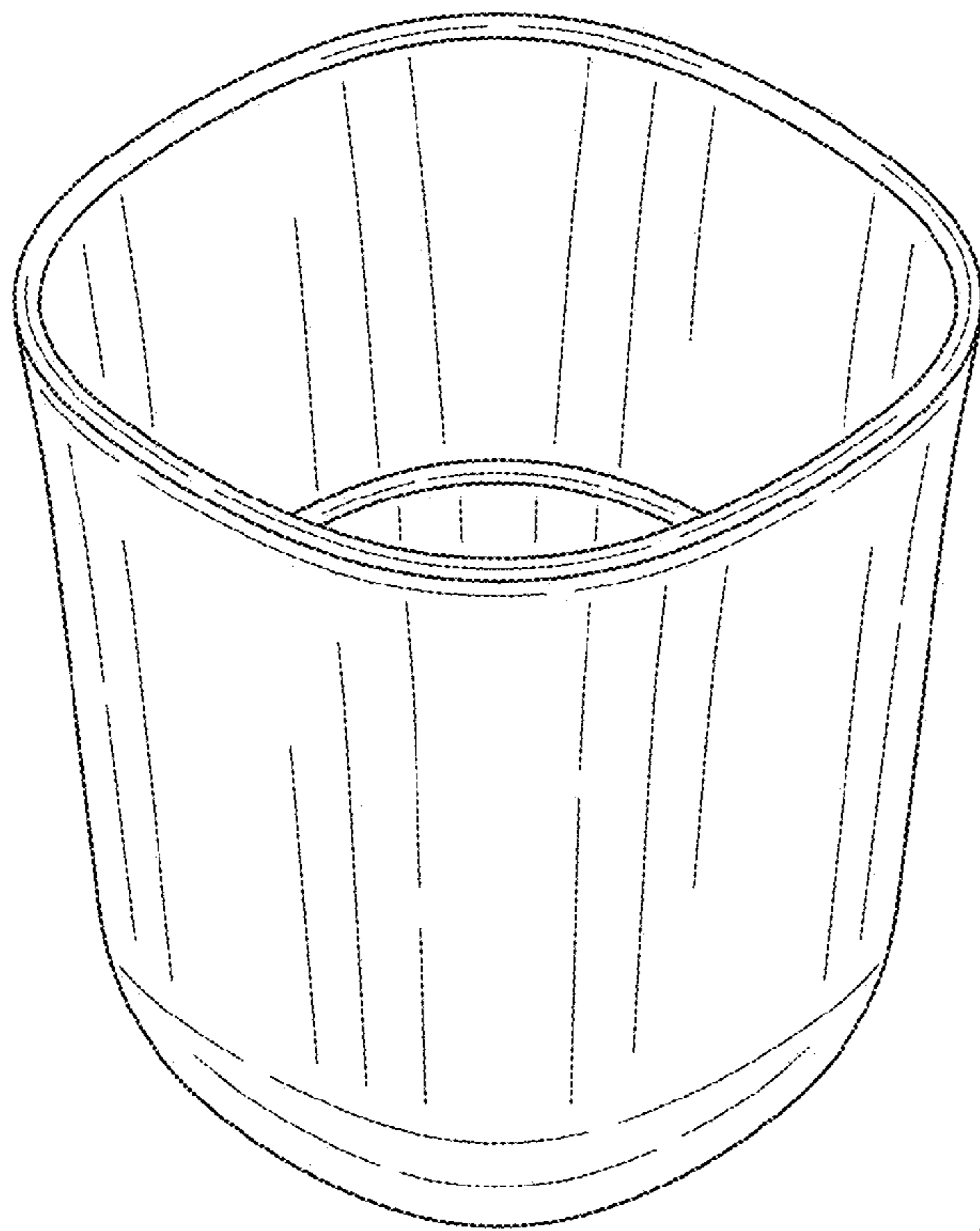


FIG. 1

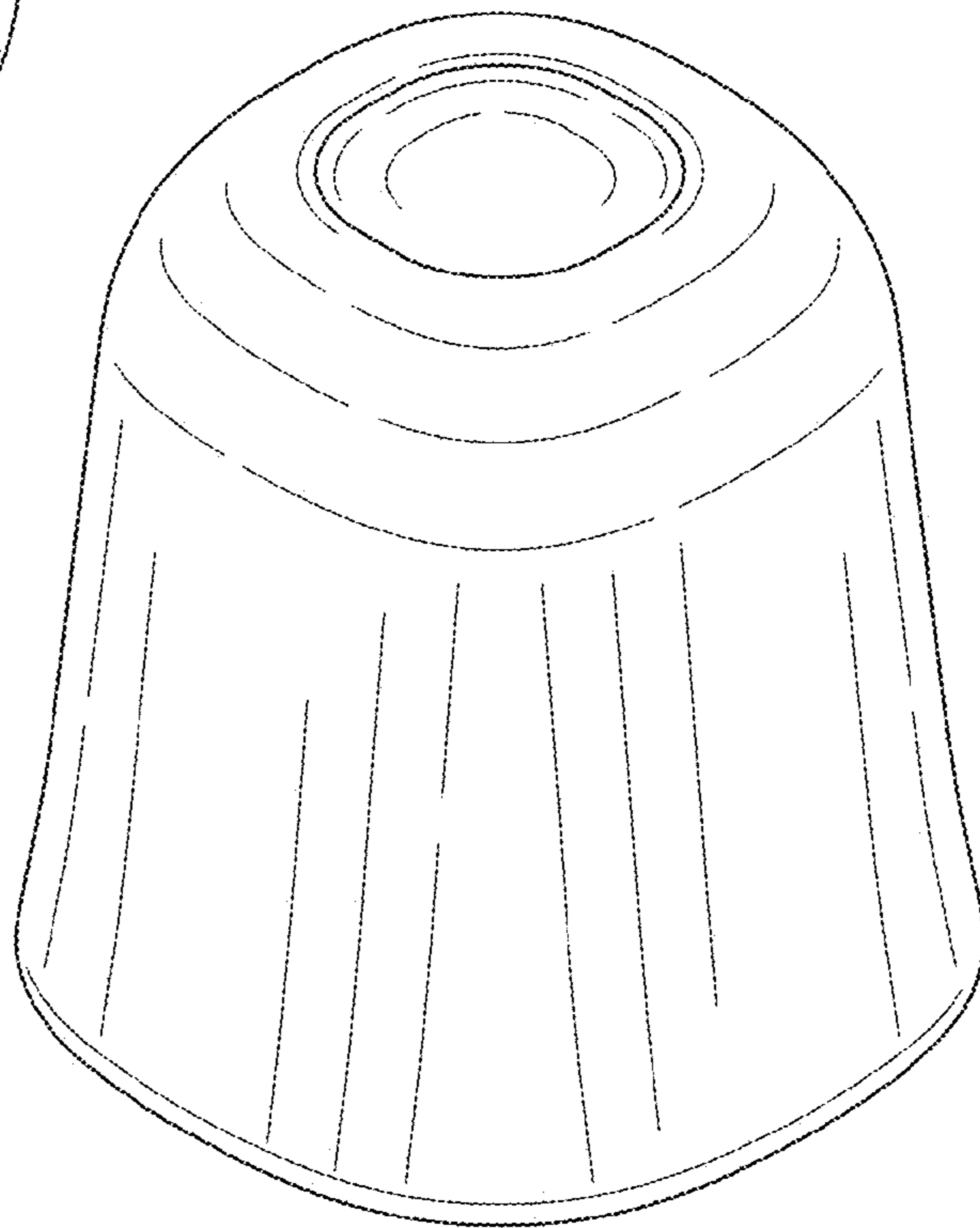
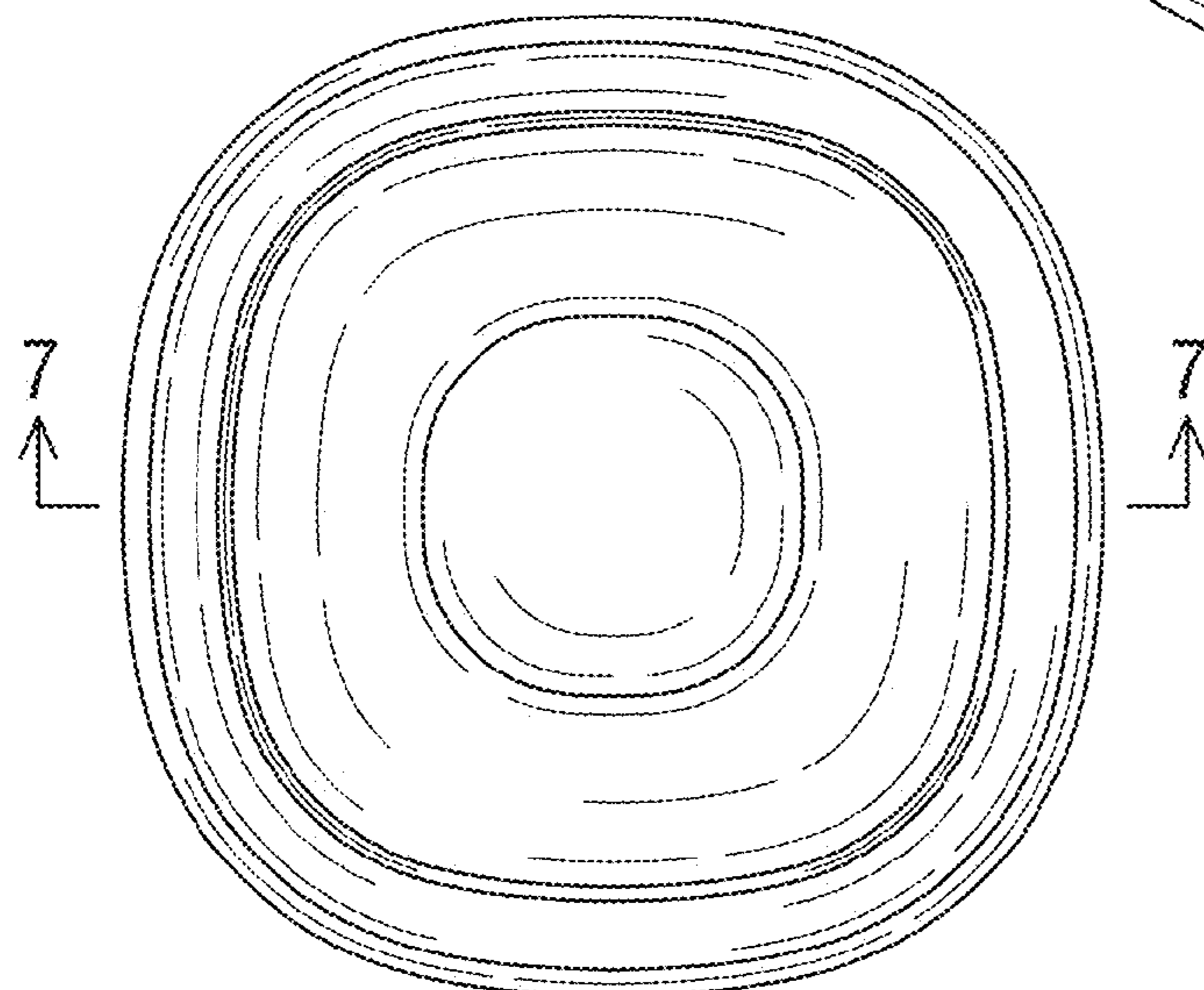


FIG. 2

FIG. 3



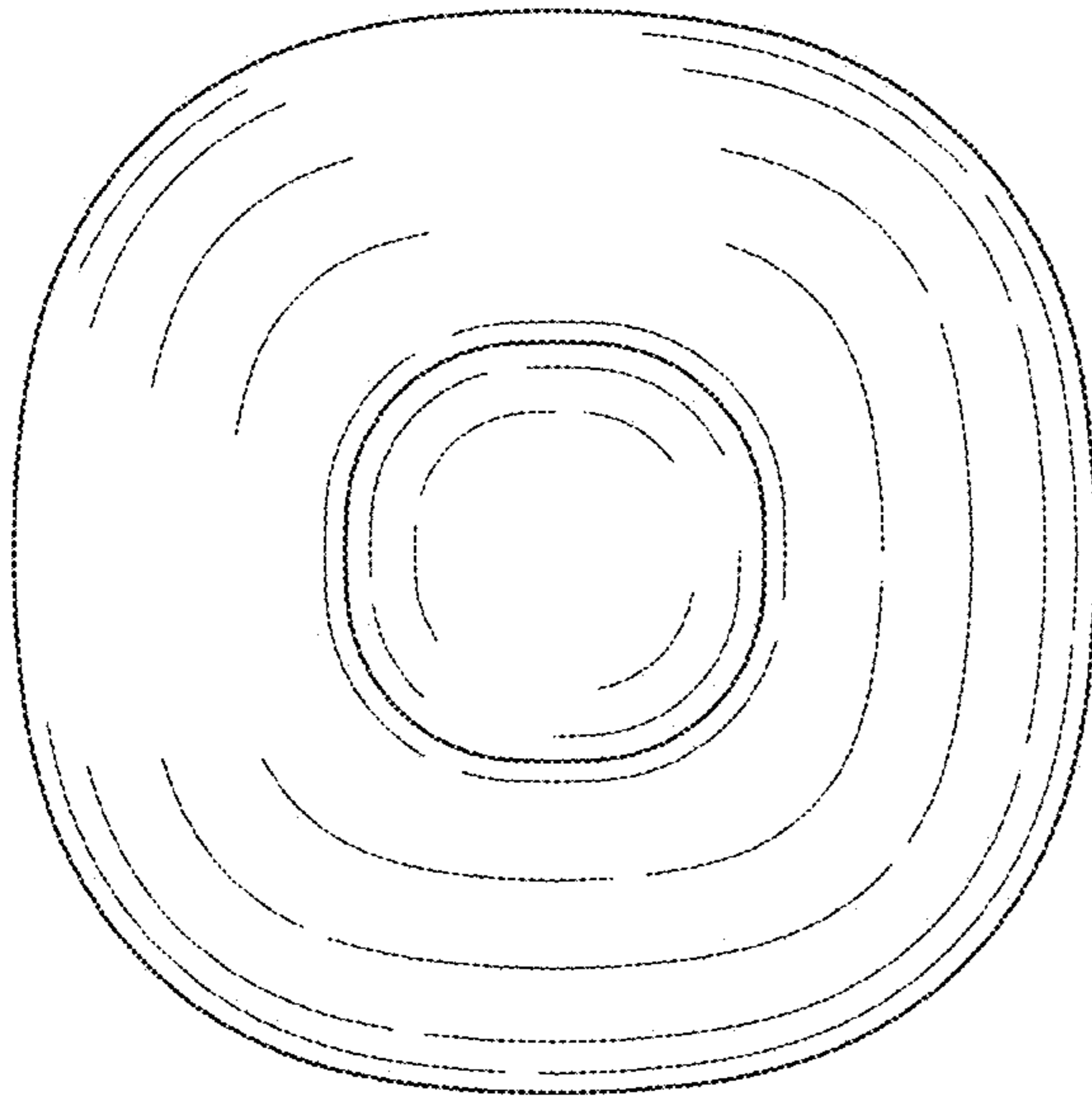


FIG. 4

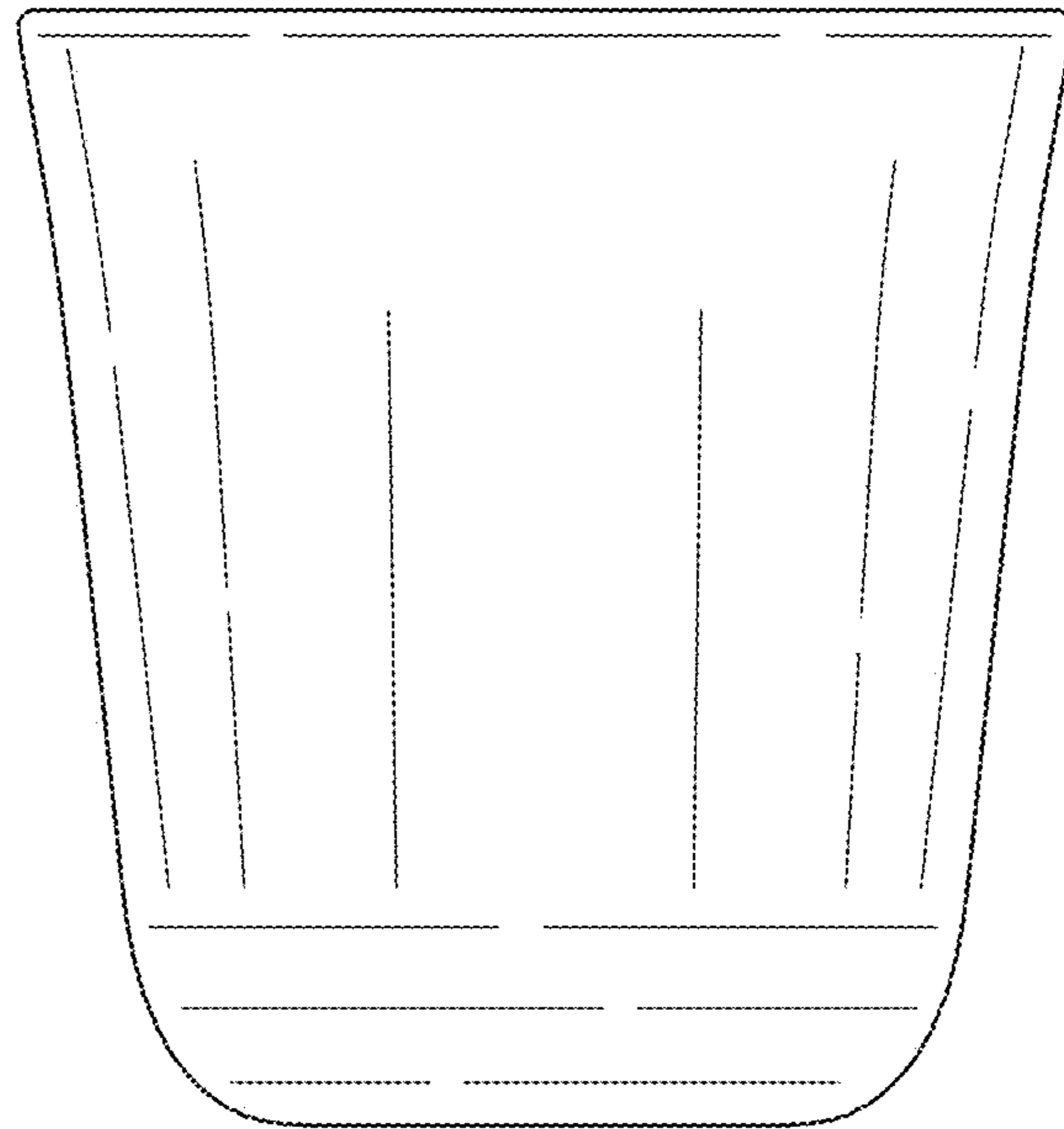


FIG. 5

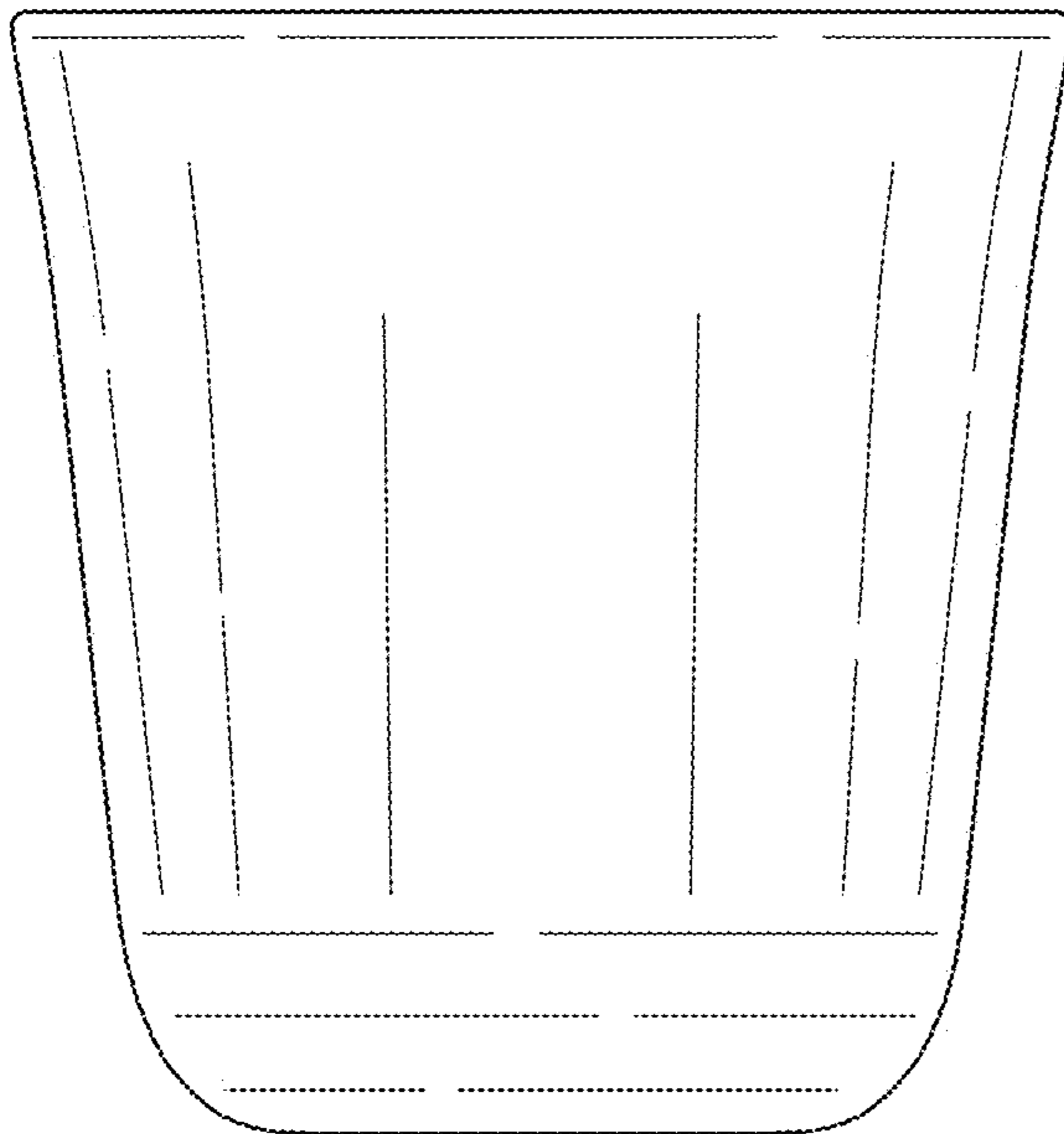
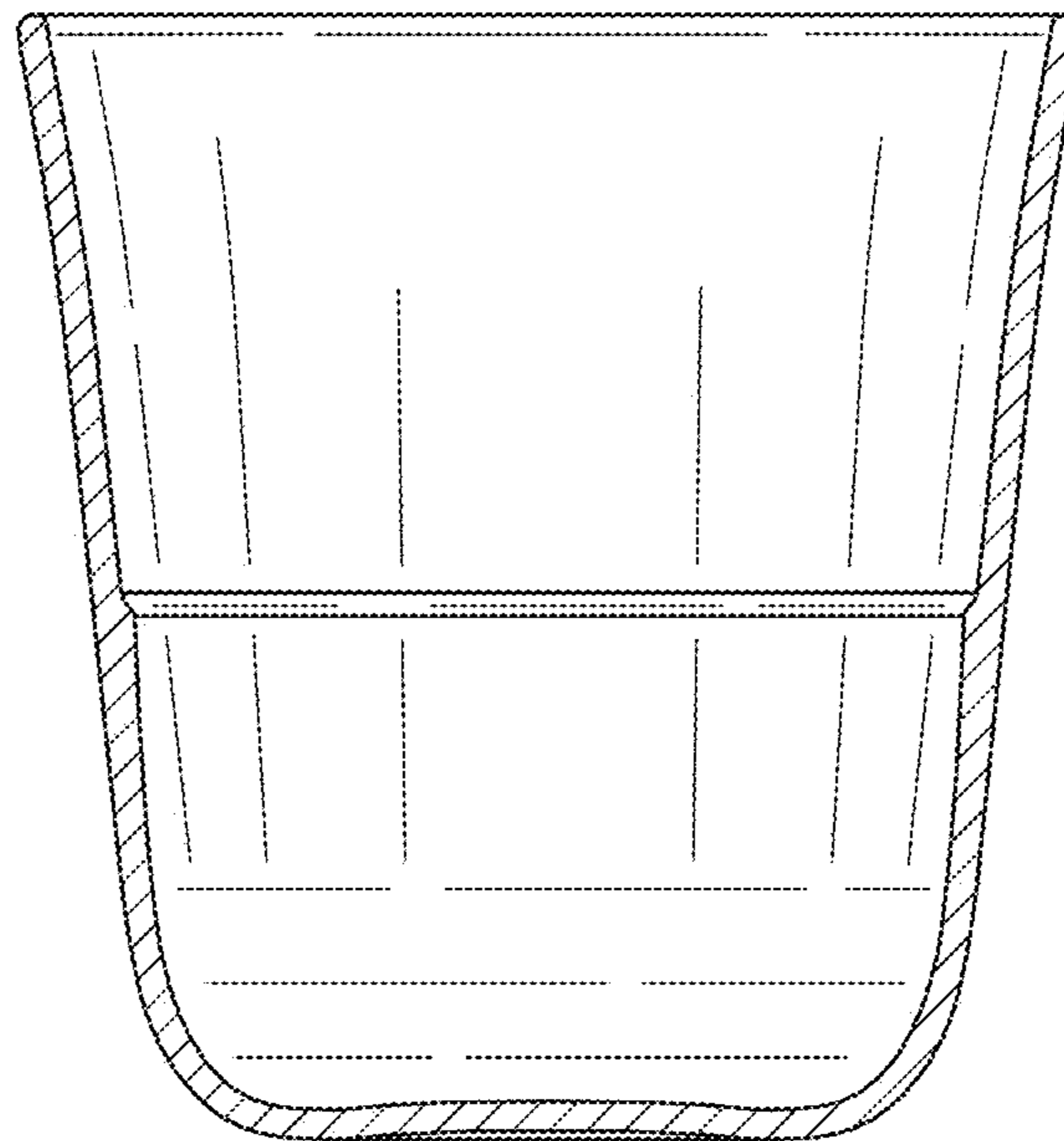


FIG. 6

FIG. 7



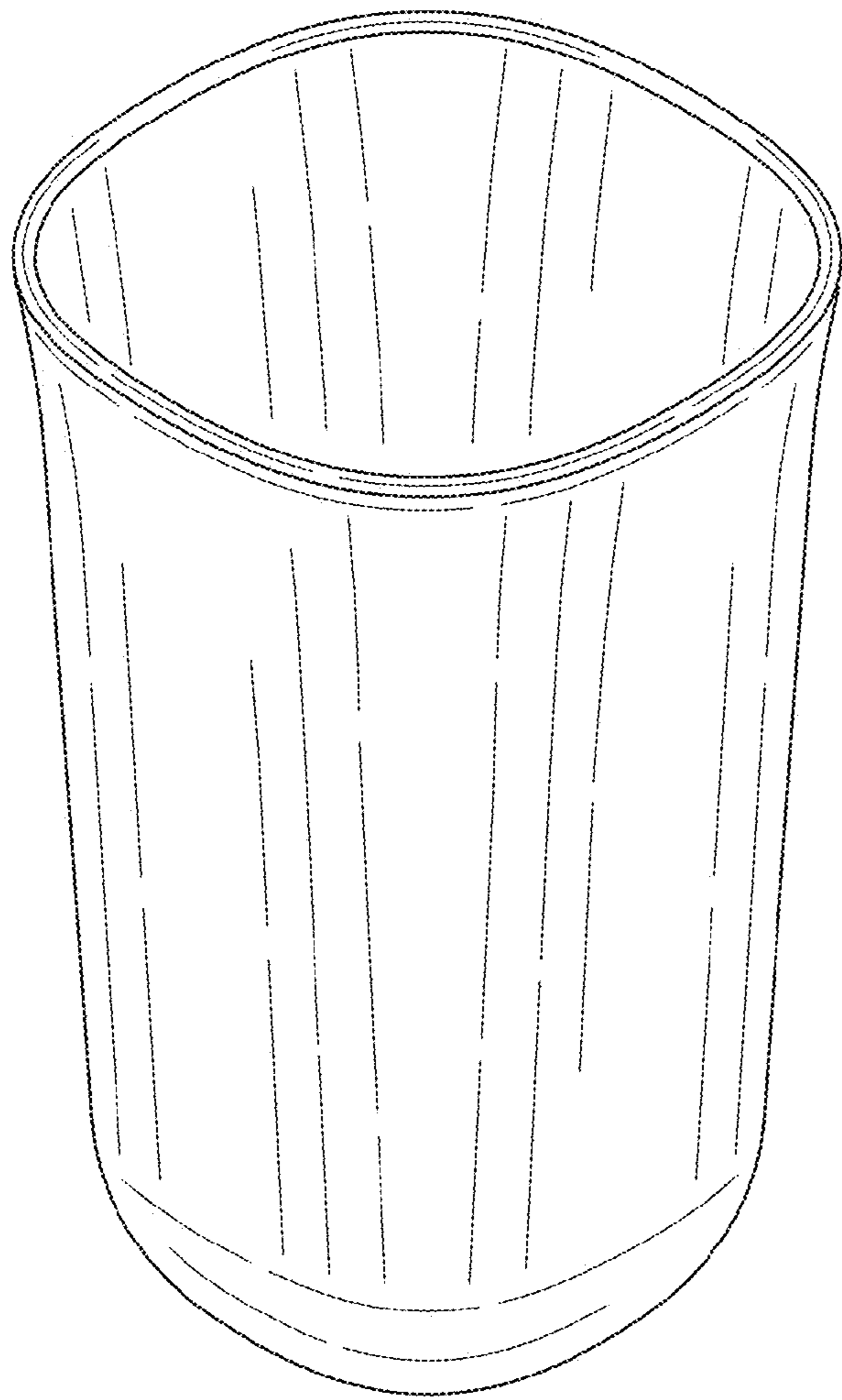


FIG. 8

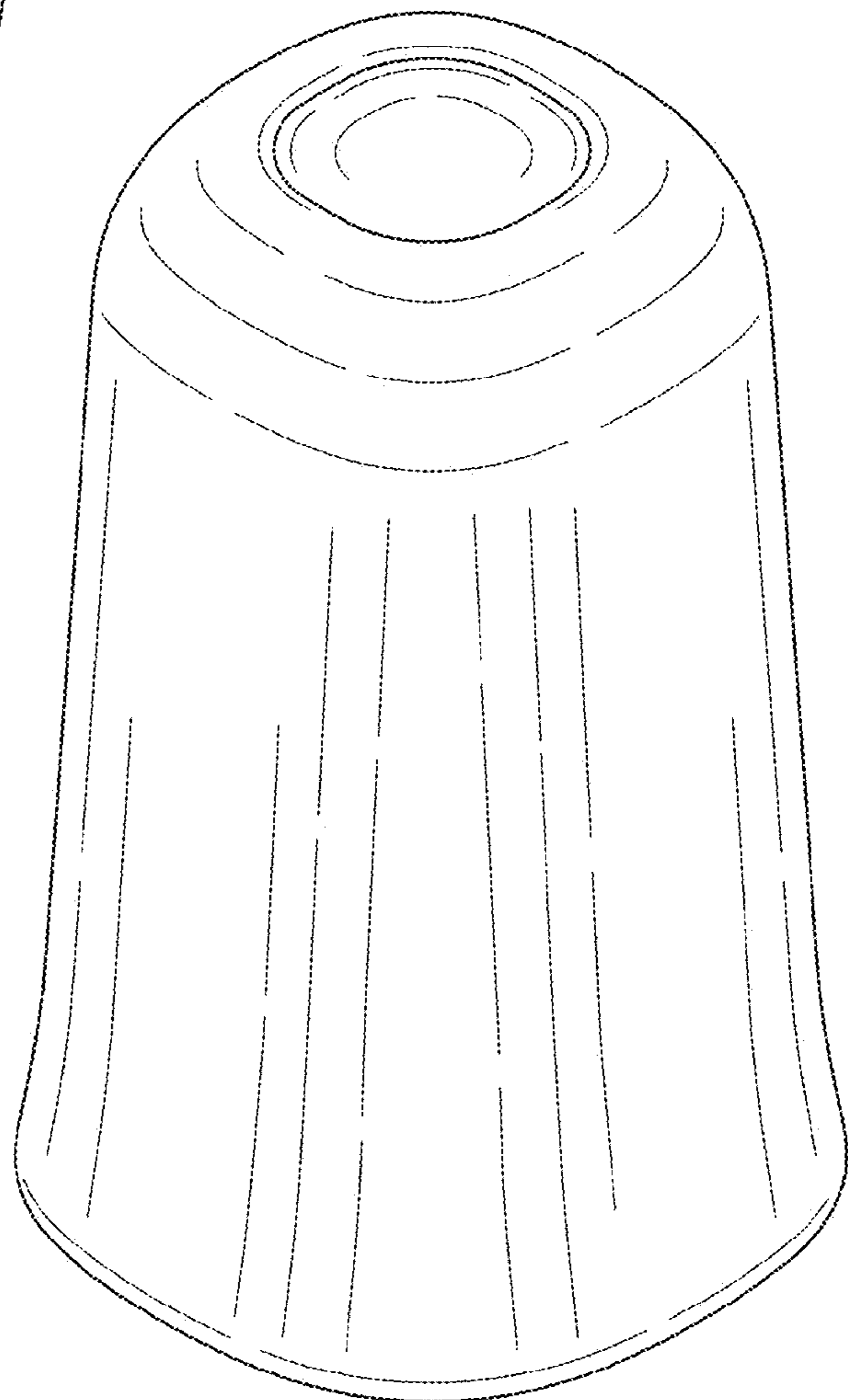


FIG. 9

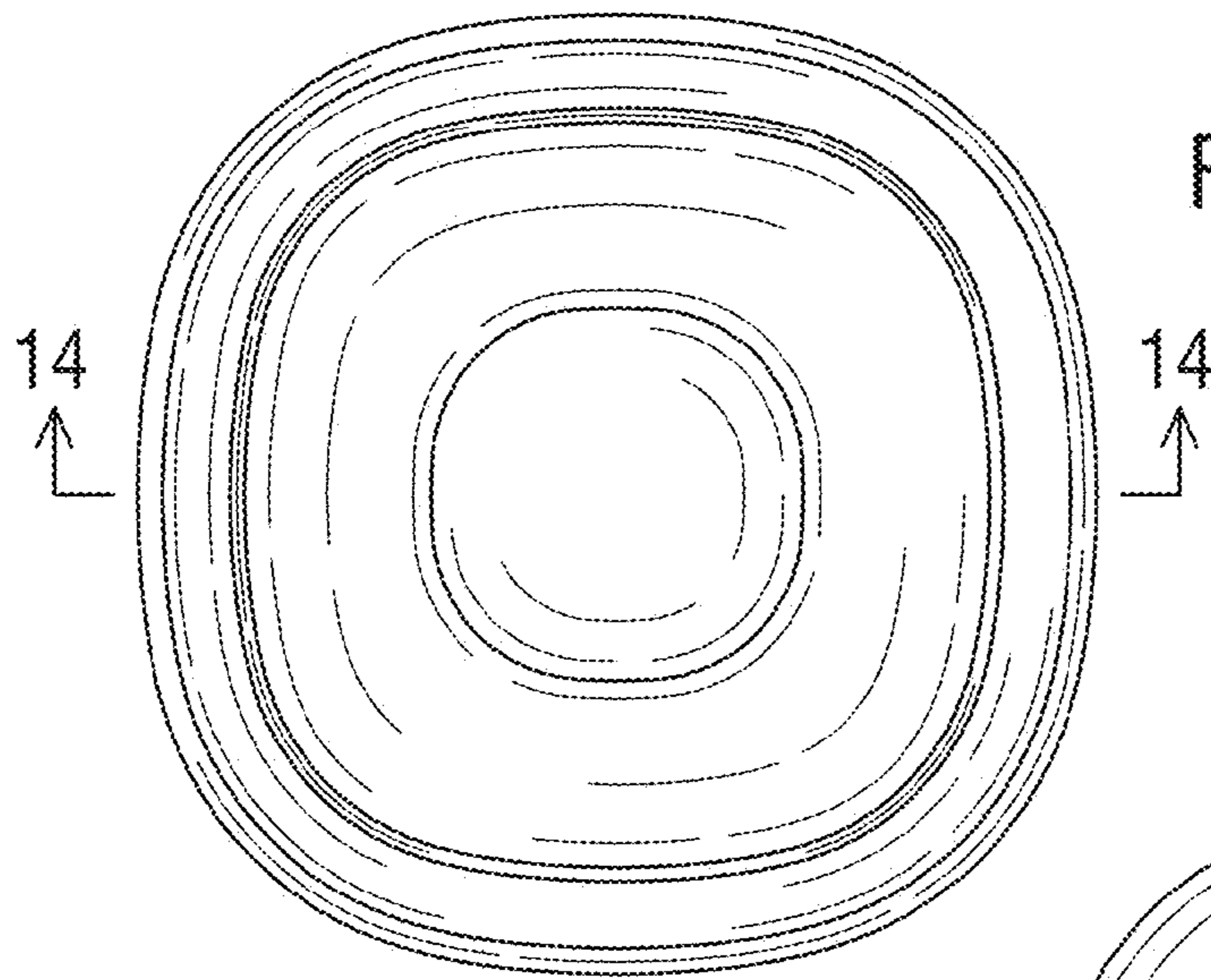


FIG. 10

FIG. 11

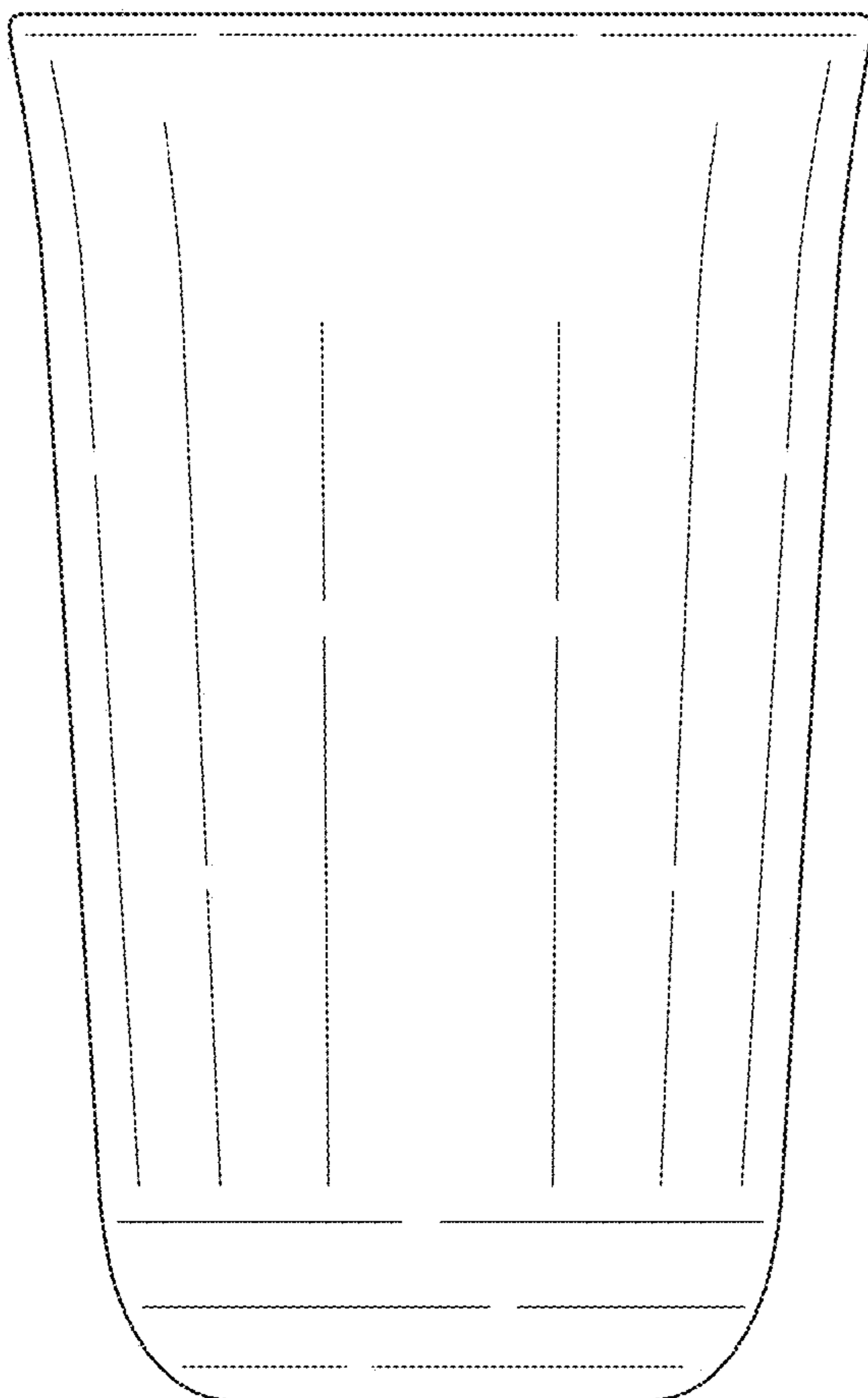
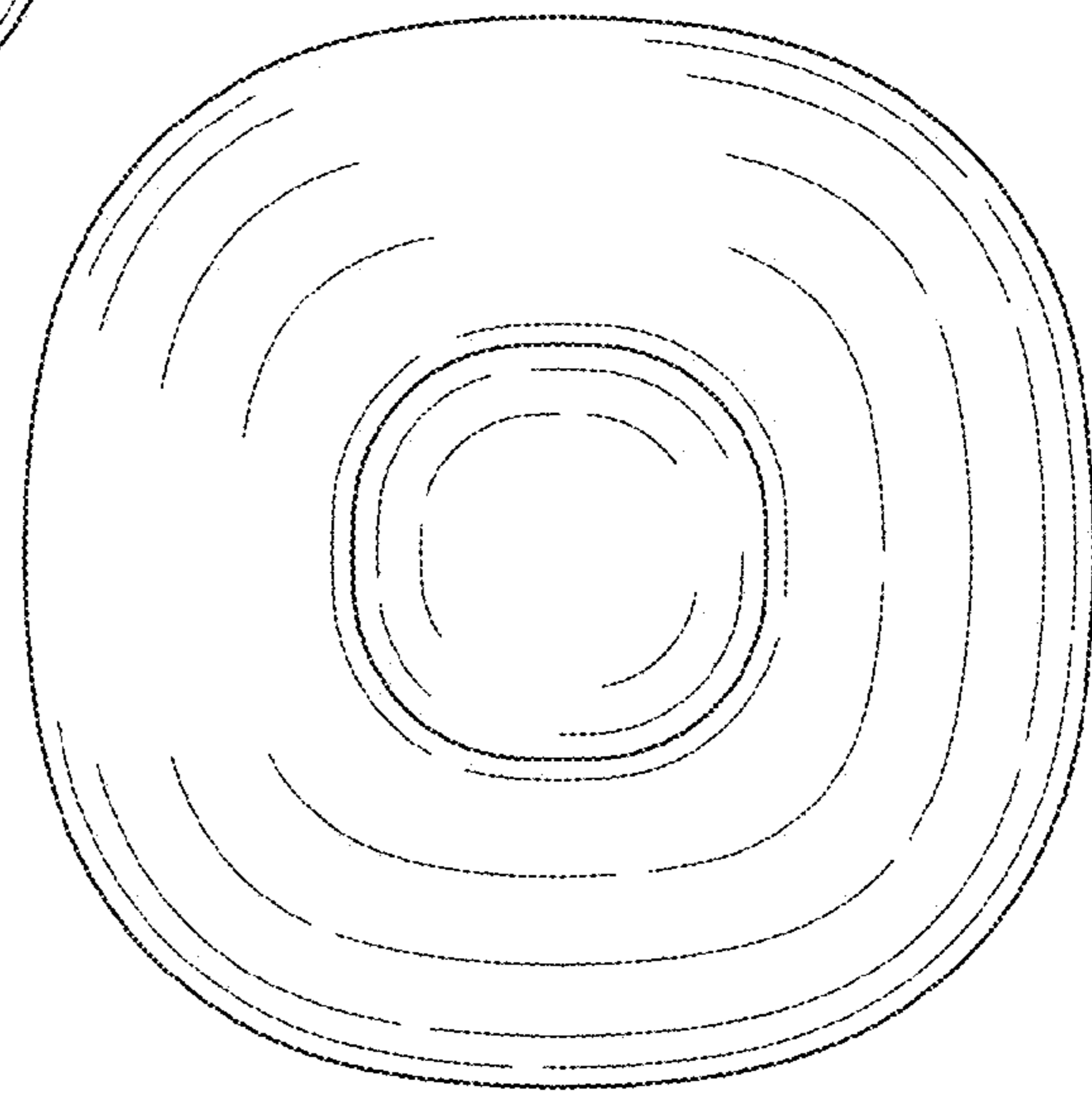


FIG. 12

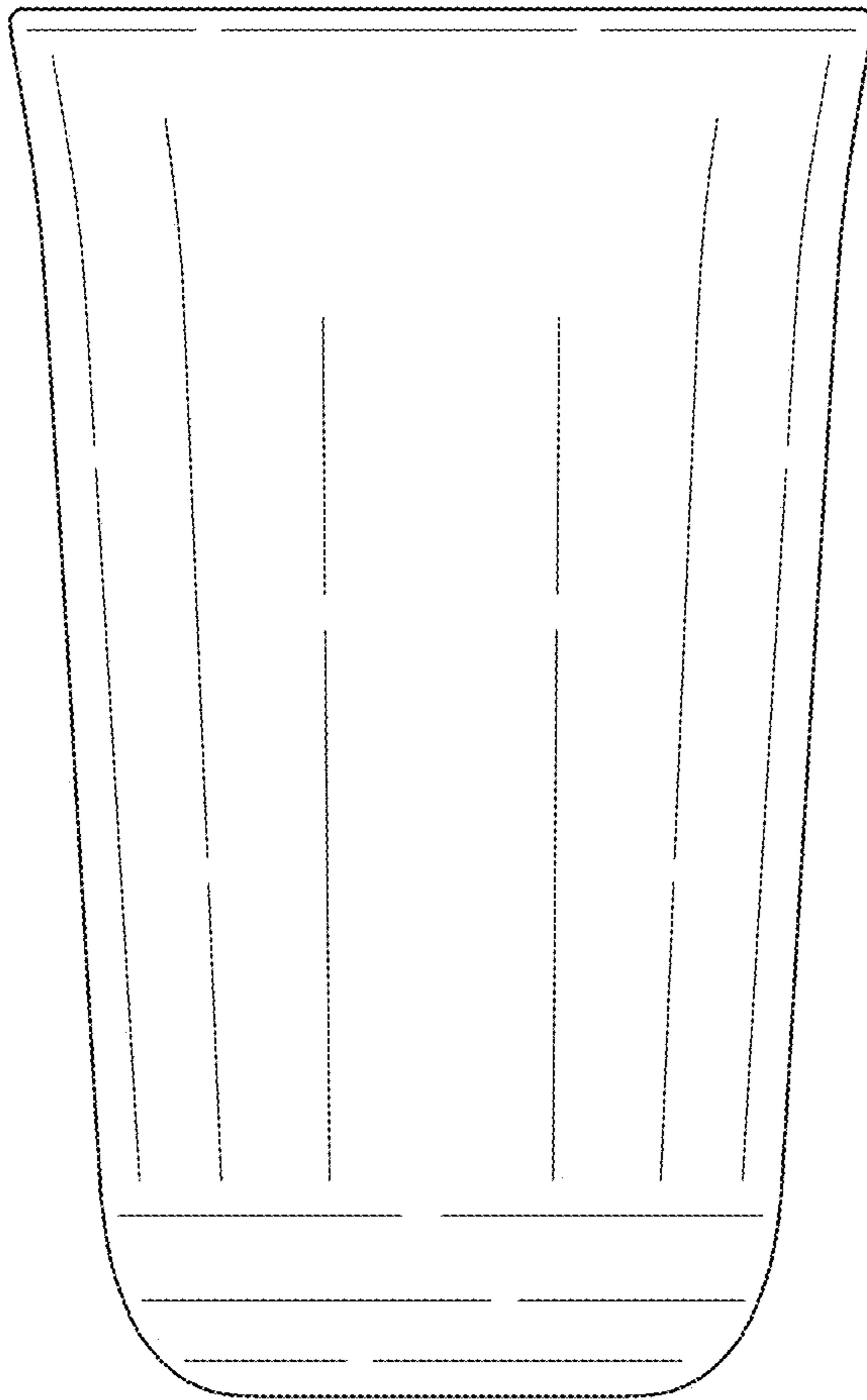


FIG. 13

FIG. 14

