



US00D889201S

(12) **United States Design Patent**  
**Measom et al.**

(10) **Patent No.:** **US D889,201 S**

(45) **Date of Patent:** **\*\* Jul. 7, 2020**

- (54) **PELLET GRILL BODY**
- (71) Applicant: **Logan Outdoor Products, LLC**, Hyde Park, UT (US)
- (72) Inventors: **Ty Measom**, Logan, UT (US); **Brett Bennett**, Mantua, UT (US)
- (73) Assignee: **Logan Outdoor Products, LLC**, Hyde Park, UT (US)

D423,876 S *	5/2000	Wagner	.....	D7/332
D450,216 S *	11/2001	Wood	.....	D7/334
6,877,505 B1 *	4/2005	Den Hoed	.....	F24B 1/207 126/276
D535,137 S *	1/2007	Mashburn	.....	D7/332
D646,121 S *	10/2011	Pickard	.....	D7/334
D733,483 S *	7/2015	Baker	.....	D7/332
D852,569 S *	7/2019	Giebel	.....	D7/334
D853,170 S *	7/2019	Magee	.....	D7/332

(\*\*) Term: **15 Years**

(21) Appl. No.: **29/612,707**

(22) Filed: **Aug. 3, 2017**

(51) **LOC (12) Cl.** ..... **07-02**

(52) **U.S. Cl.**  
USPC ..... **D7/402; D7/403**

(58) **Field of Classification Search**  
USPC ..... D7/323, 340, 339, 332-337, 331, 351,  
D7/346-349, 405, 403, 402, 387, 406,  
D7/345, 343, 539, 564, 571  
CPC .... A47J 37/07; A47J 37/0763; A47J 37/0704;  
H05B 1/0261; H05B 1/0263; H05B  
6/687; F24C 3/008; F24C 3/002; F24C  
3/00; F24C 7/02; F24C 7/00; F24C 5/00  
See application file for complete search history.

(56) **References Cited**

**U.S. PATENT DOCUMENTS**

D260,347 S *	8/1981	Larson	.....	D7/335
D287,214 S *	12/1986	Koziol	.....	D7/332
D302,641 S *	8/1989	Elmburg	.....	D7/332
D323,444 S *	1/1992	Masters	.....	D7/332
D359,877 S *	7/1995	Koziol	.....	D7/332

\* cited by examiner

*Primary Examiner* — Jae Liang

(74) *Attorney, Agent, or Firm* — Amardeep S. Grewal;  
Gerard M. Donovan; Reed Smith LLP

(57) **CLAIM**

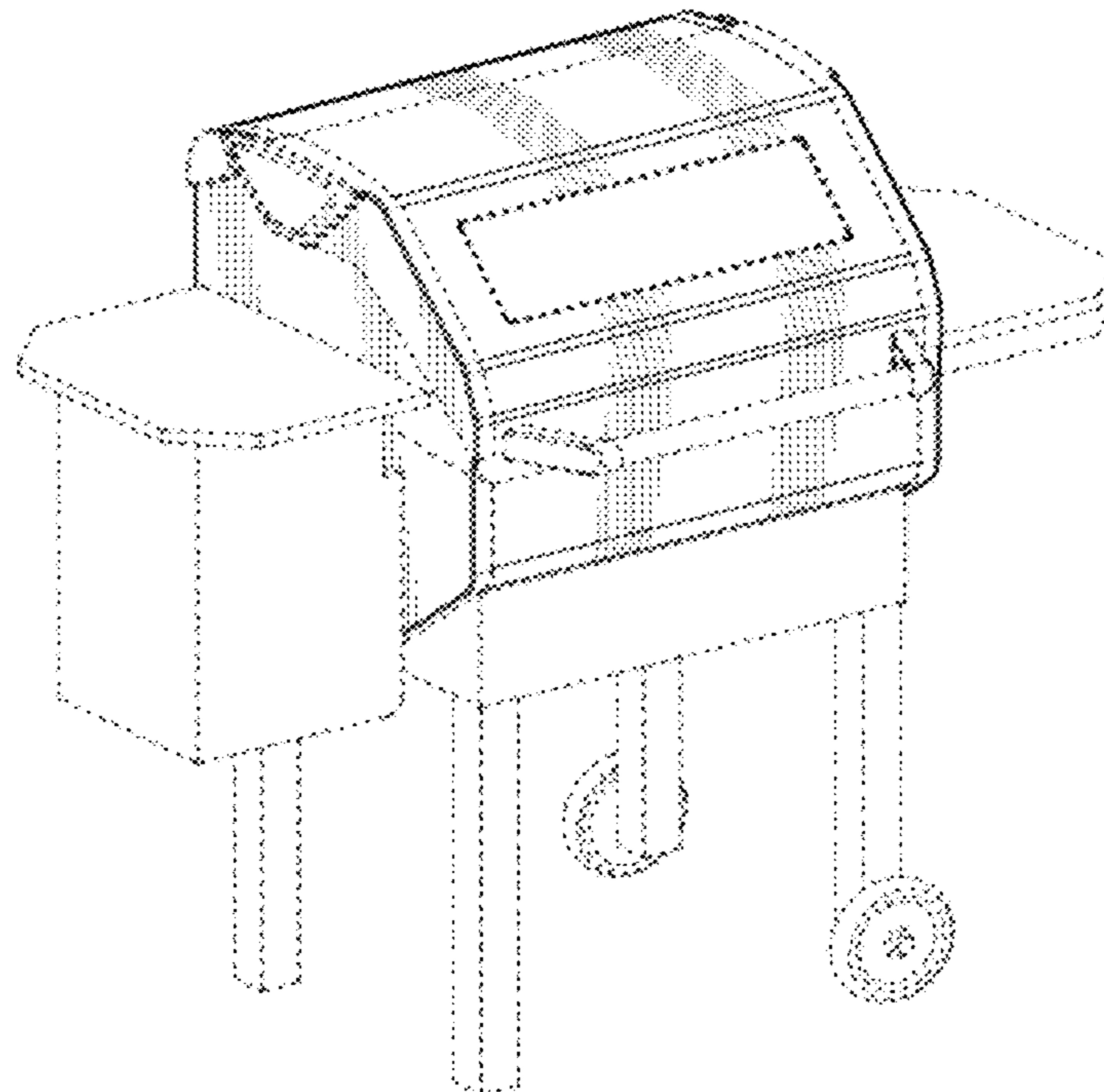
The ornamental design for a pellet grill body, as shown and described.

**DESCRIPTION**

FIG. 1 is an isometric view within the environment of a pellet grill body;  
FIG. 2 is an isometric front view;  
FIG. 3 is an isometric back view;  
FIG. 4 is a front view;  
FIG. 5 is a back view;  
FIG. 6 is a left side view;  
FIG. 7 is a right side view;  
FIG. 8 is a top view; and,  
FIG. 9 is a bottom view.

The broken lines showing the environment of a pellet grill and portions of the pellet grill body form no part of the claimed design.

**1 Claim, 9 Drawing Sheets**



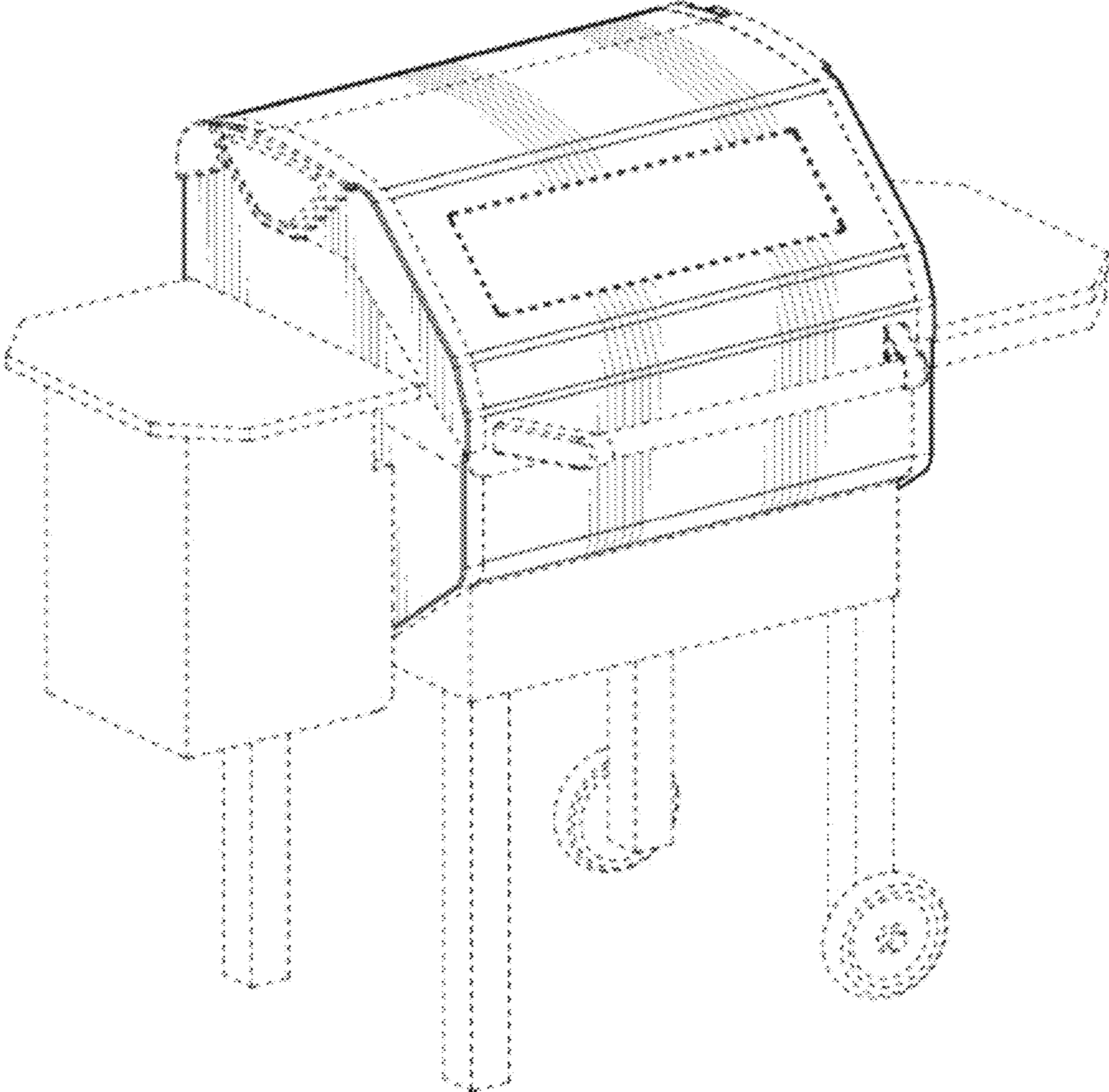


Fig. 1

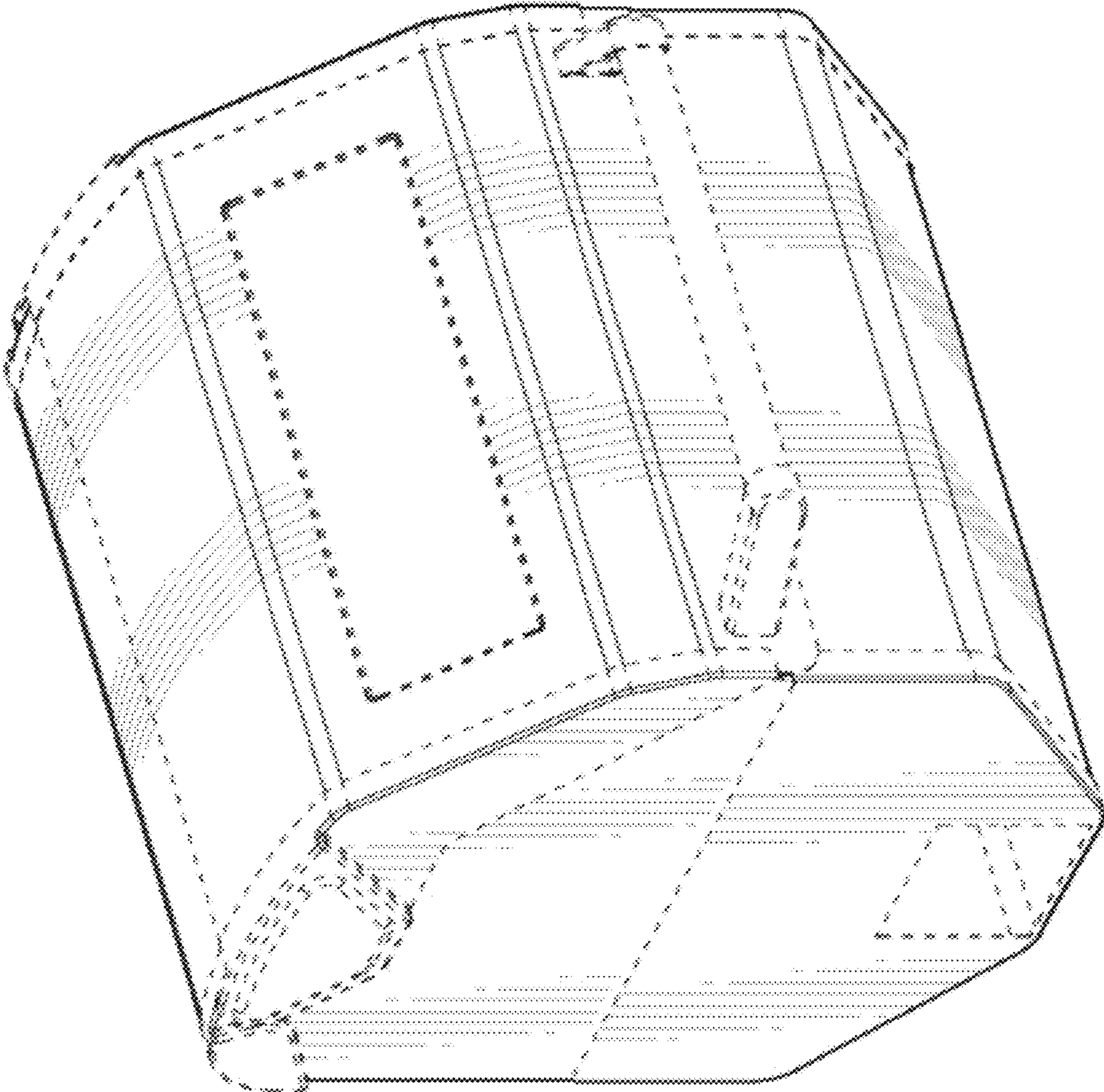


Fig. 2

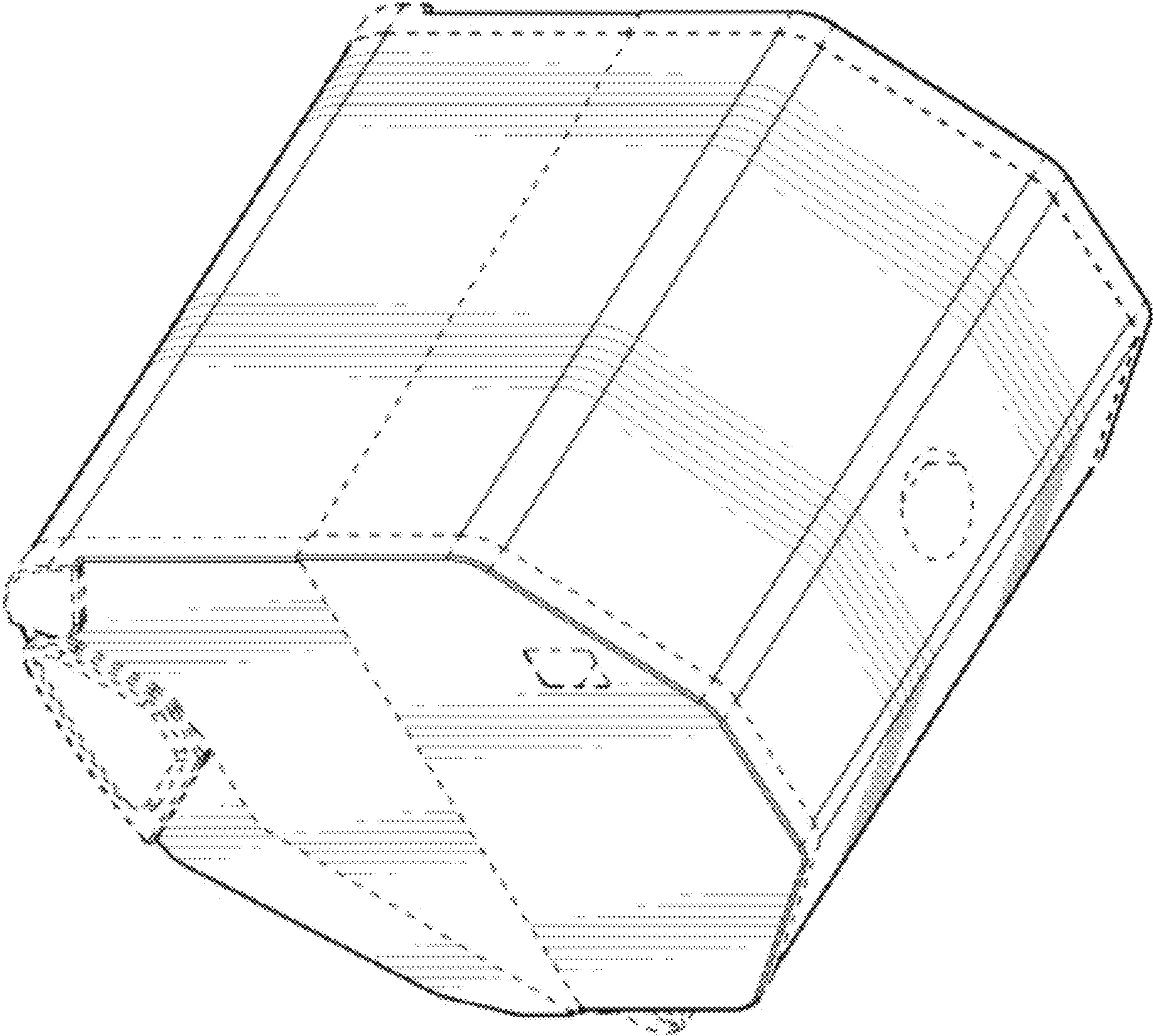


Fig. 3

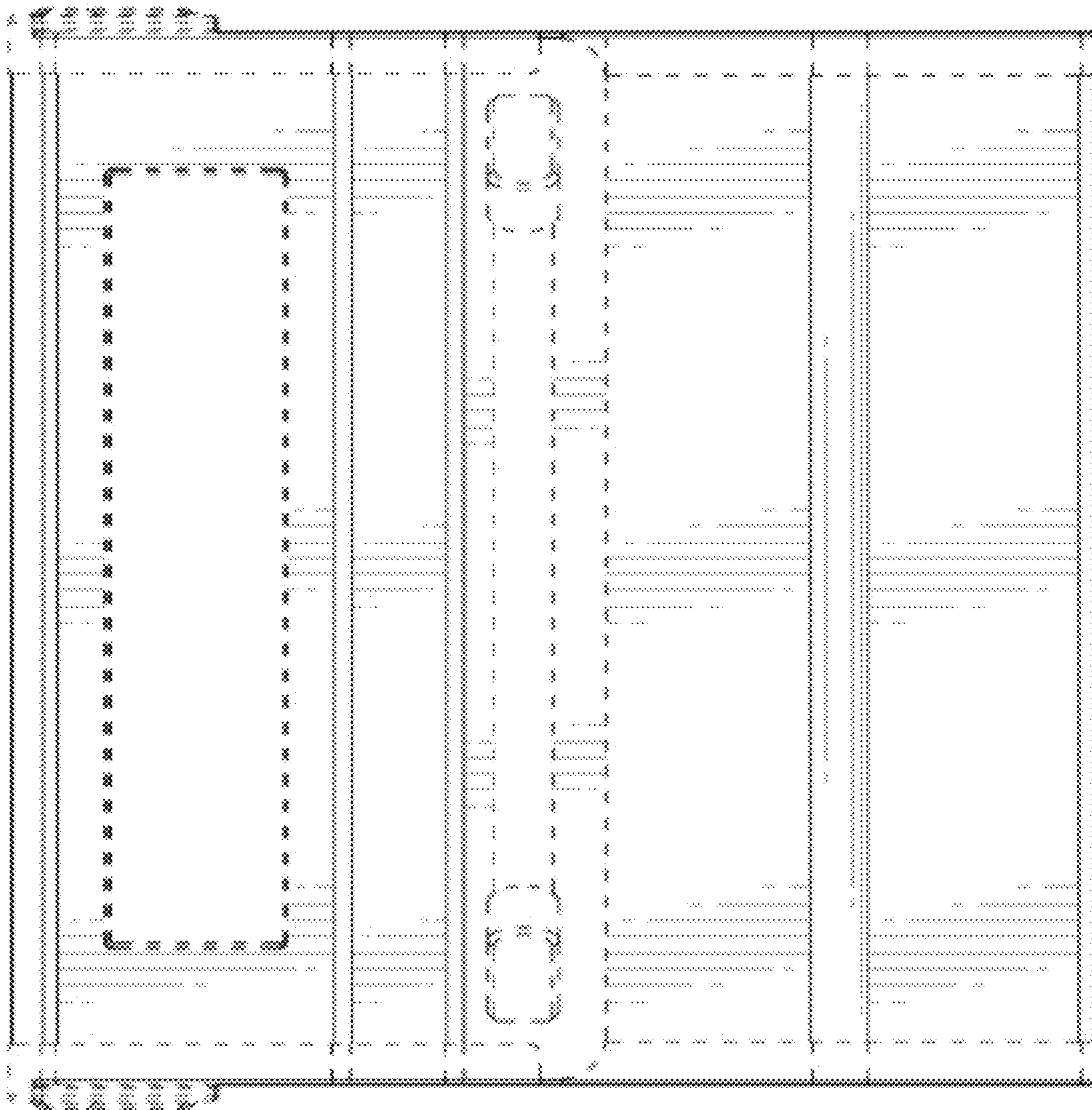


Fig. 4

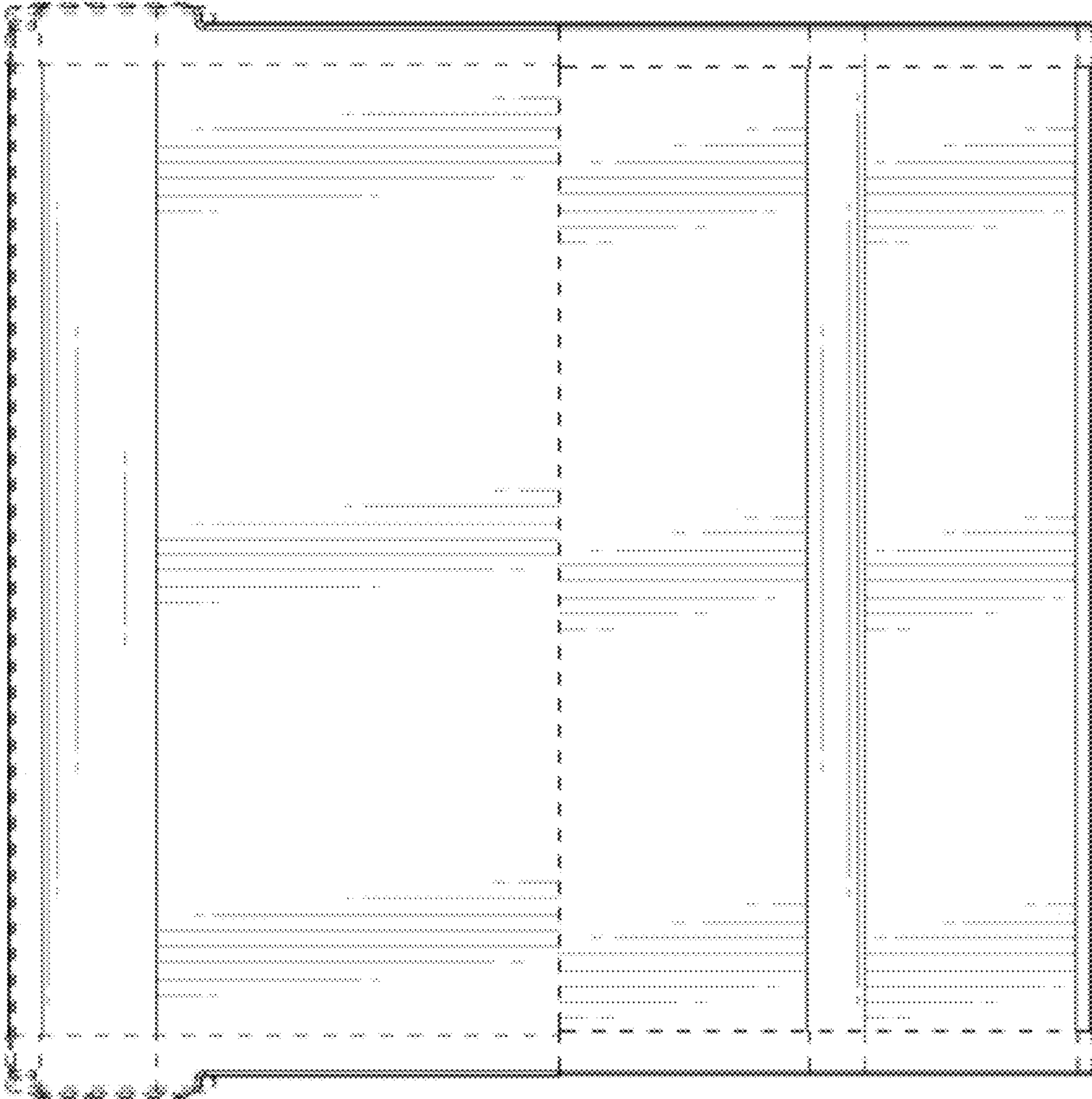


Fig. 5

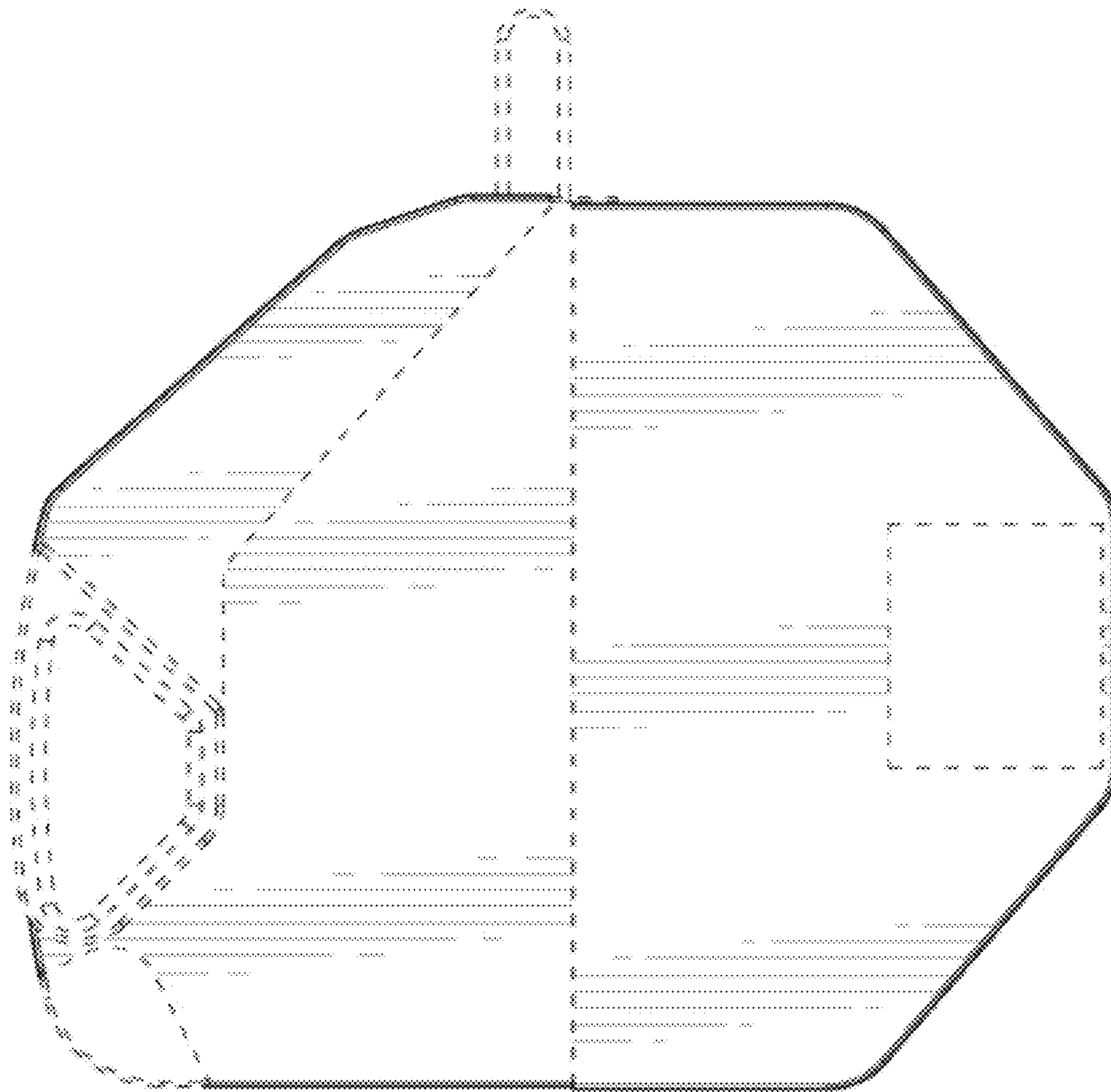


Fig. 6

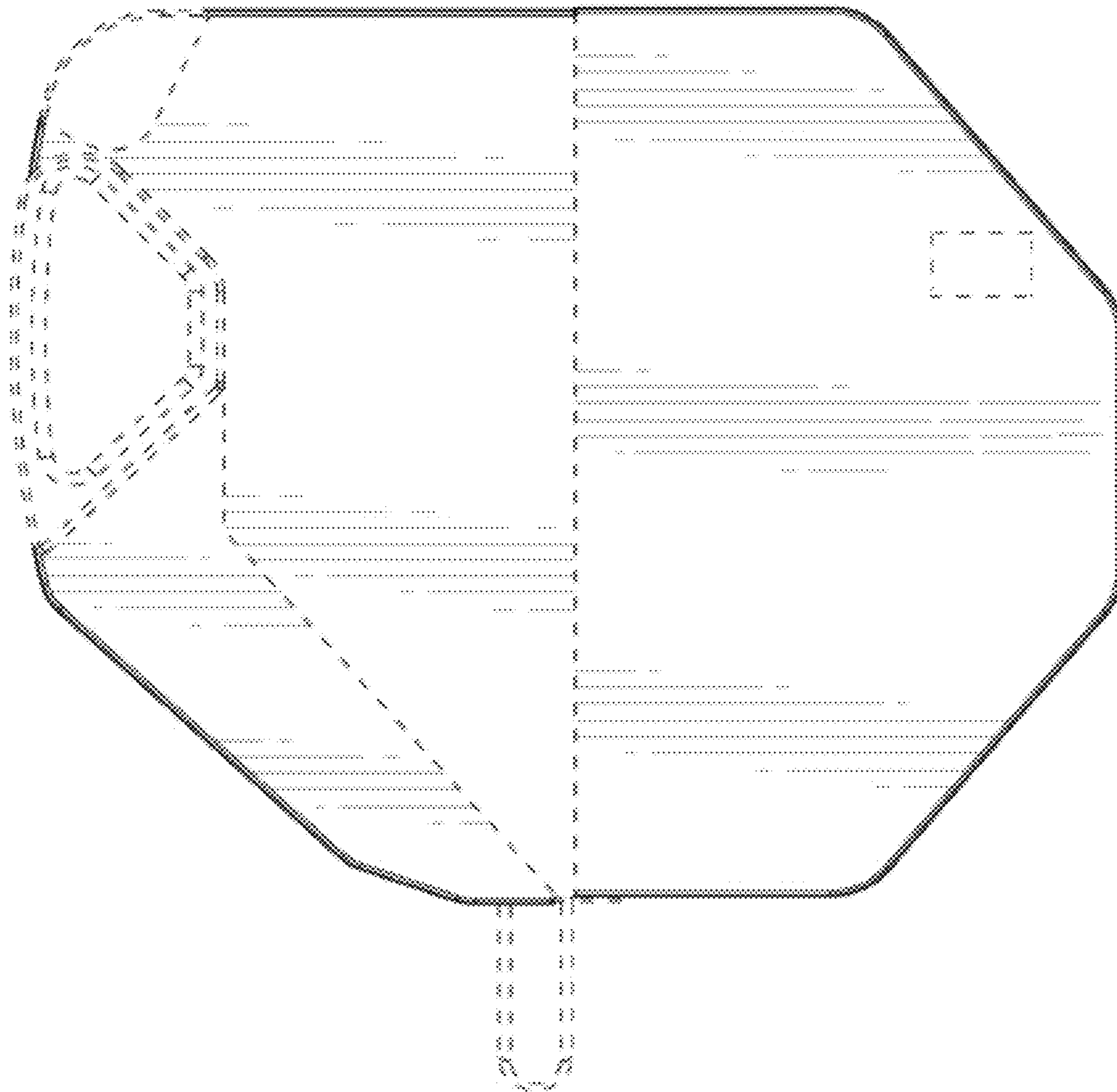


Fig. 7



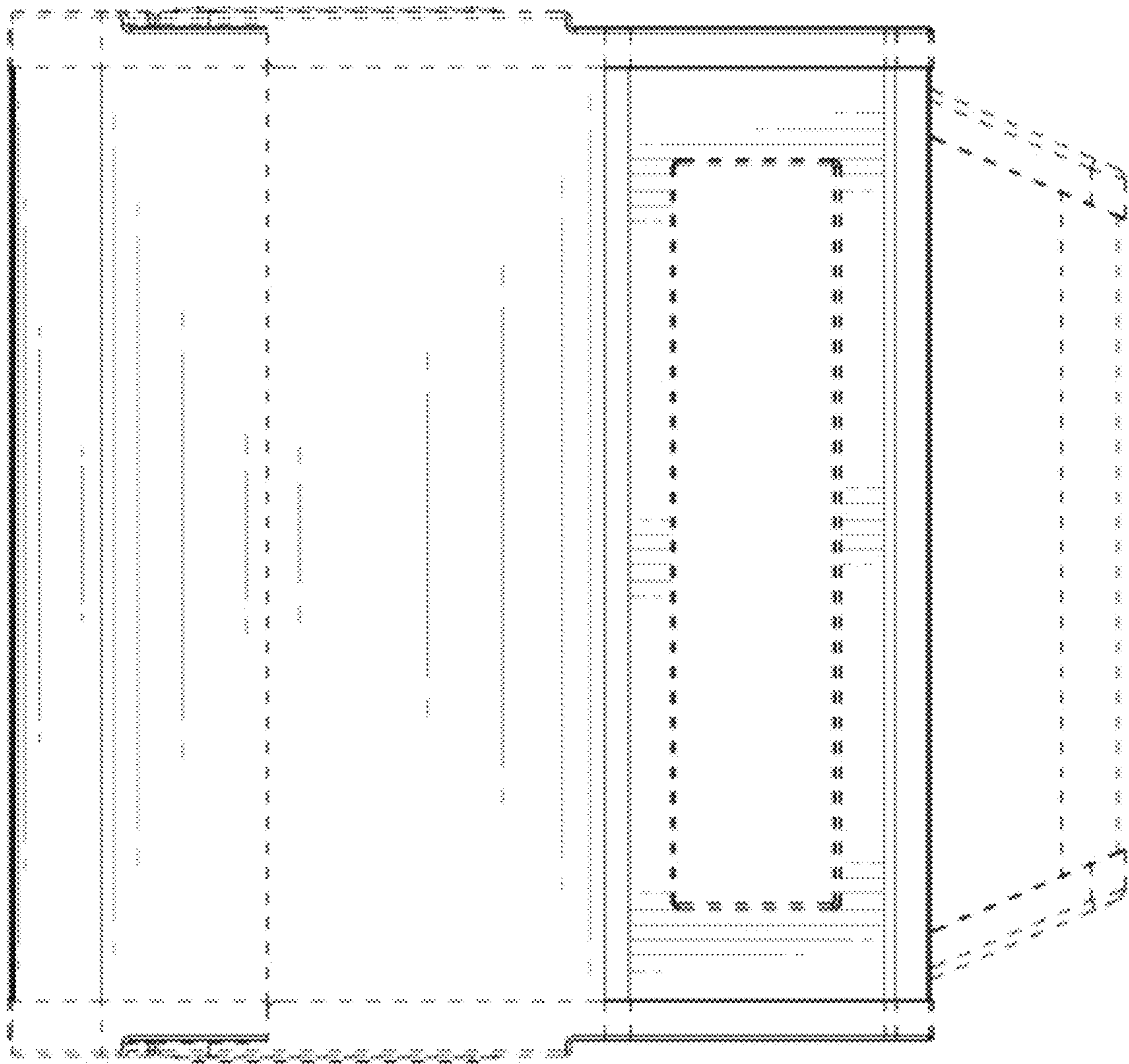


Fig. 8

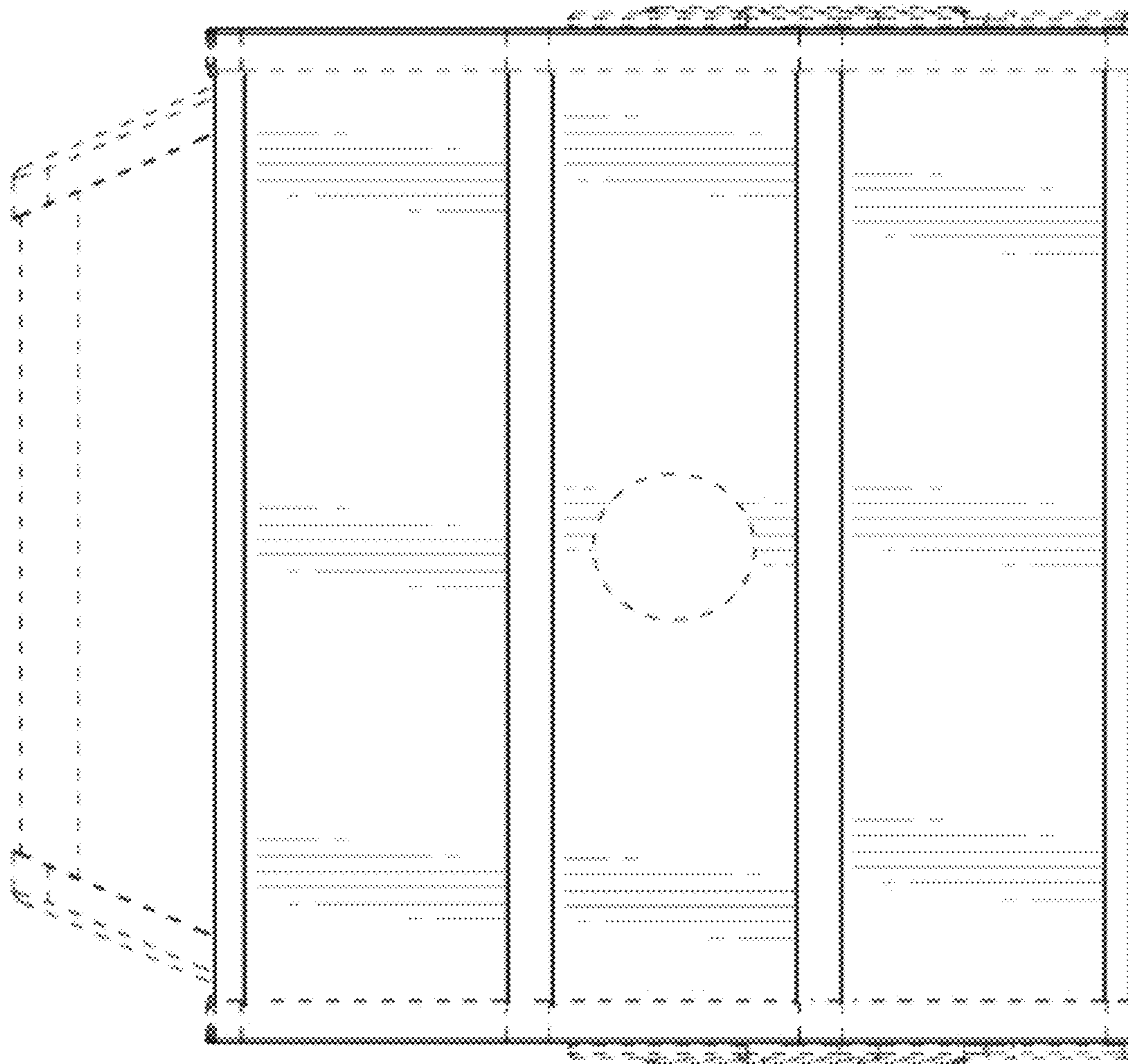


Fig. 9