



US00D889199S

(12) **United States Design Patent**
Shepard et al.

(10) **Patent No.:** **US D889,199 S**

(45) **Date of Patent:** **** Jul. 7, 2020**

(54) **DUAL ACCESS FLUID DISPENSING LID**

D843,778 S * 3/2019 Yao D7/392.1
D847,563 S * 5/2019 Jacobsen D7/396.2
D862,977 S * 10/2019 Bohman D7/392

(71) Applicant: **Zak Designs, Inc.**, Spokane, WA (US)

(72) Inventors: **Seth Shepard**, Spokane, WA (US);
Andrew Gillespie, South Easton, MA (US)

(73) Assignee: **Zak Designs, Inc.**, Spokane, WA (US)

(**) Term: **15 Years**

(21) Appl. No.: **29/661,501**

(22) Filed: **Aug. 28, 2018**

(51) **LOC (12) Cl.** **07-99**

(52) **U.S. Cl.**
USPC **D7/396.2**; D9/447

(58) **Field of Classification Search**
USPC D7/392, 392.1, 396.2; D9/434-436, 443,
D9/447, 449, 454, 499
CPC A47G 19/2272; B65D 47/066; B65D
47/122; B65D 47/148; B65D 47/32
See application file for complete search history.

(56) **References Cited**

U.S. PATENT DOCUMENTS

D461,361 S * 8/2002 Orr D7/392.1
D632,521 S * 2/2011 Wahl D7/392.1
D638,658 S * 5/2011 Staton D7/392
D714,584 S * 10/2014 Boroski D7/392
D763,688 S * 8/2016 Breit D9/443
D792,216 S * 7/2017 Breit D9/443
D817,085 S * 5/2018 Davis D7/392.1
D824,721 S * 8/2018 Hu D7/392.1
D831,414 S * 10/2018 Diener D7/392
D836,386 S * 12/2018 Ayriss B65D 47/0857
D7/392

OTHER PUBLICATIONS

John Lewis. John Lewis & Partners Drinks Bottle, 720ml, Smoke. No date specified. <https://www.johnlewis.com/john-lewis-partners-drinks-bottle-720ml-smoke/p3969465> (Year: 0).*

* cited by examiner

Primary Examiner — Darcey E Gottschalk

(74) *Attorney, Agent, or Firm* — Randall Danskin P.S.

(57) **CLAIM**

We claim the ornamental design for a dual access fluid dispensing lid, as shown and described.

DESCRIPTION

FIG. 1 is a top, front and right side perspective view of the dual access fluid dispensing lid of the present invention, in a closed configuration with the pivoting handle in a retracted position.

FIG. 2 is a front elevational view thereof.

FIG. 3 is a right side elevational view thereof.

FIG. 4 is a rear elevational view thereof.

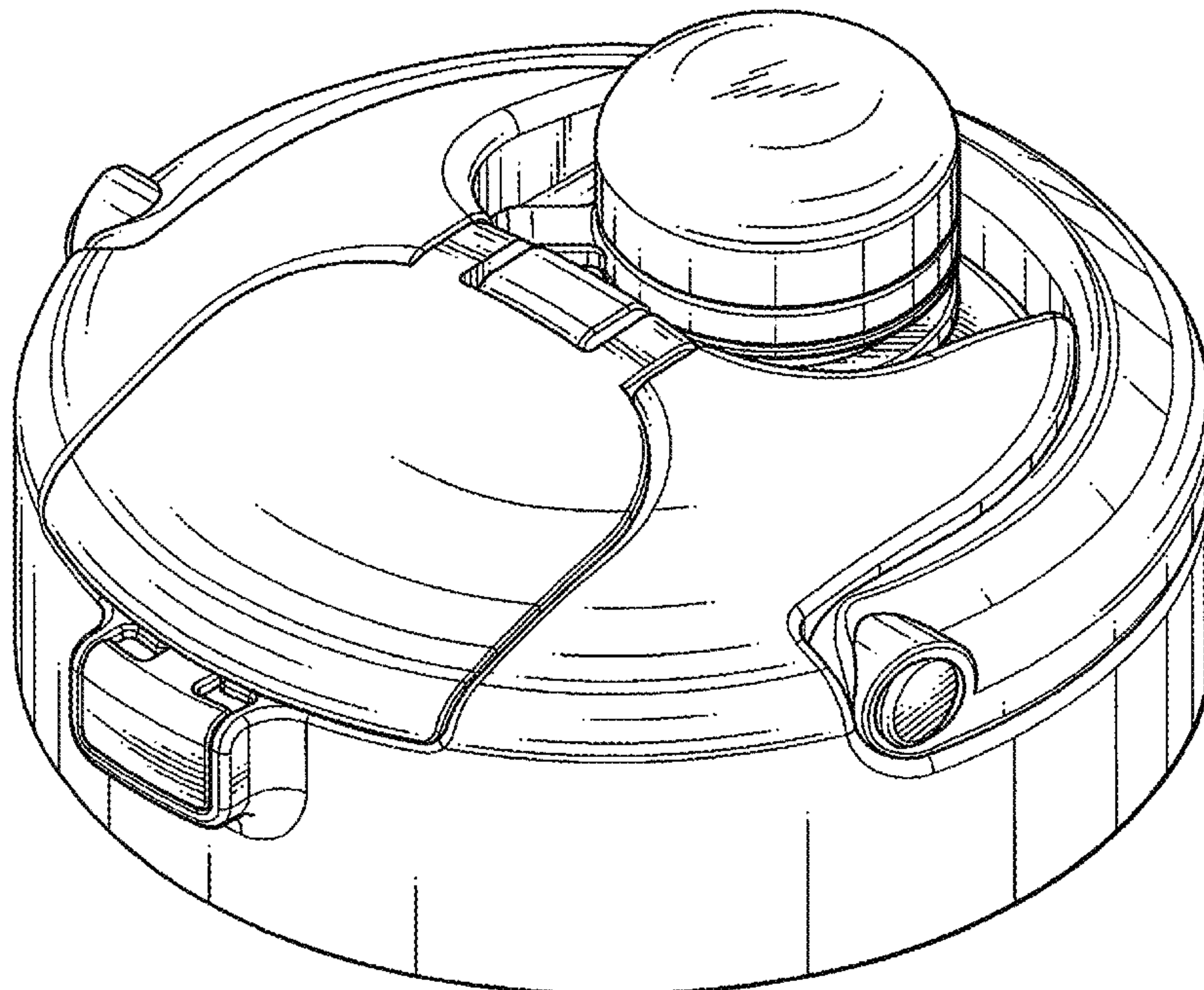
FIG. 5 is a top, plan view thereof.

FIG. 6 is a bottom, plan view thereof; and,

FIG. 7 is a right side elevational view of the dual access fluid dispensing lid of FIG. 3, in a first open configuration.

In the drawings, the broken lines show portions of the dual access fluid dispensing lid that form no part of the claimed design.

1 Claim, 7 Drawing Sheets



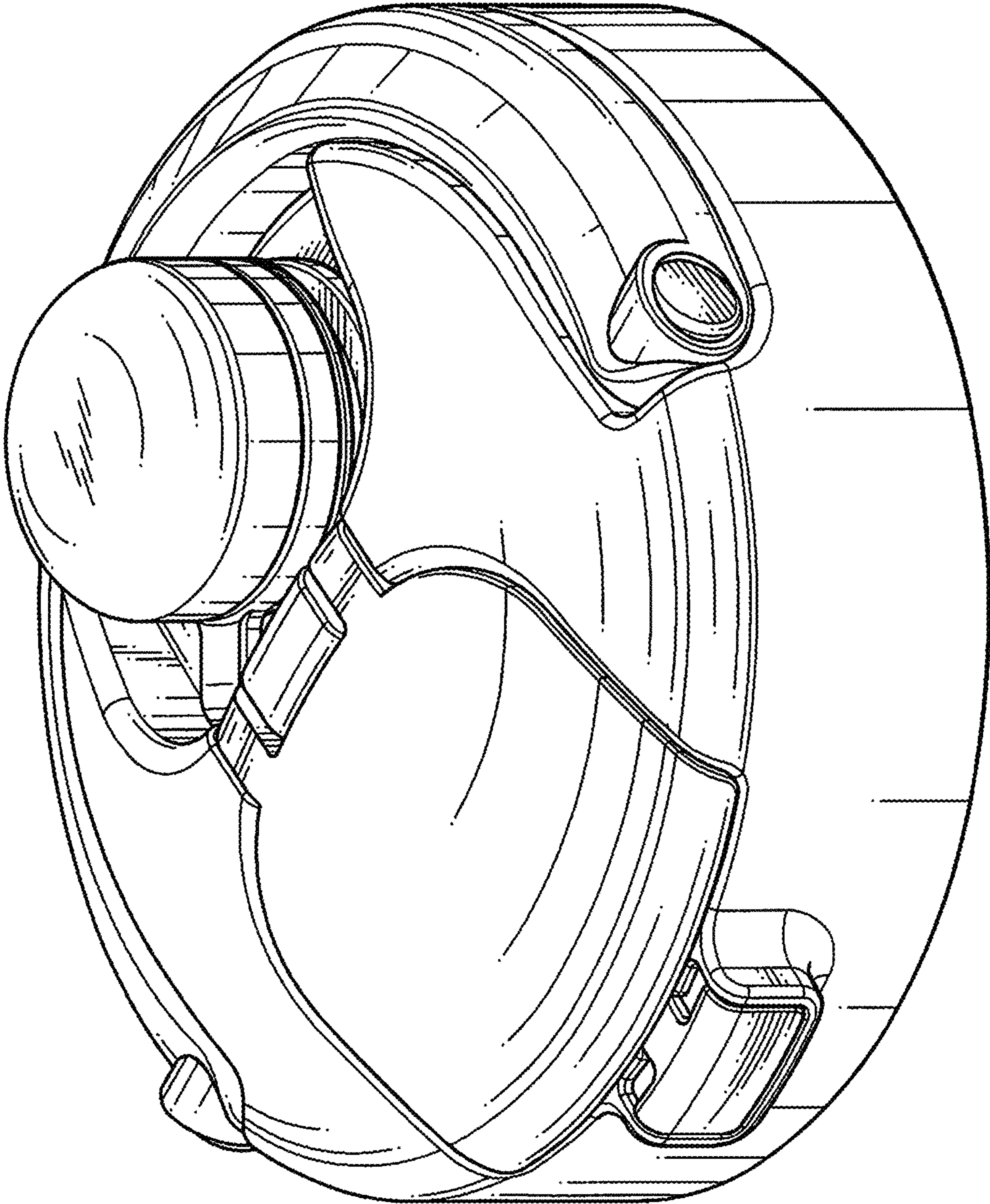


FIG. 1

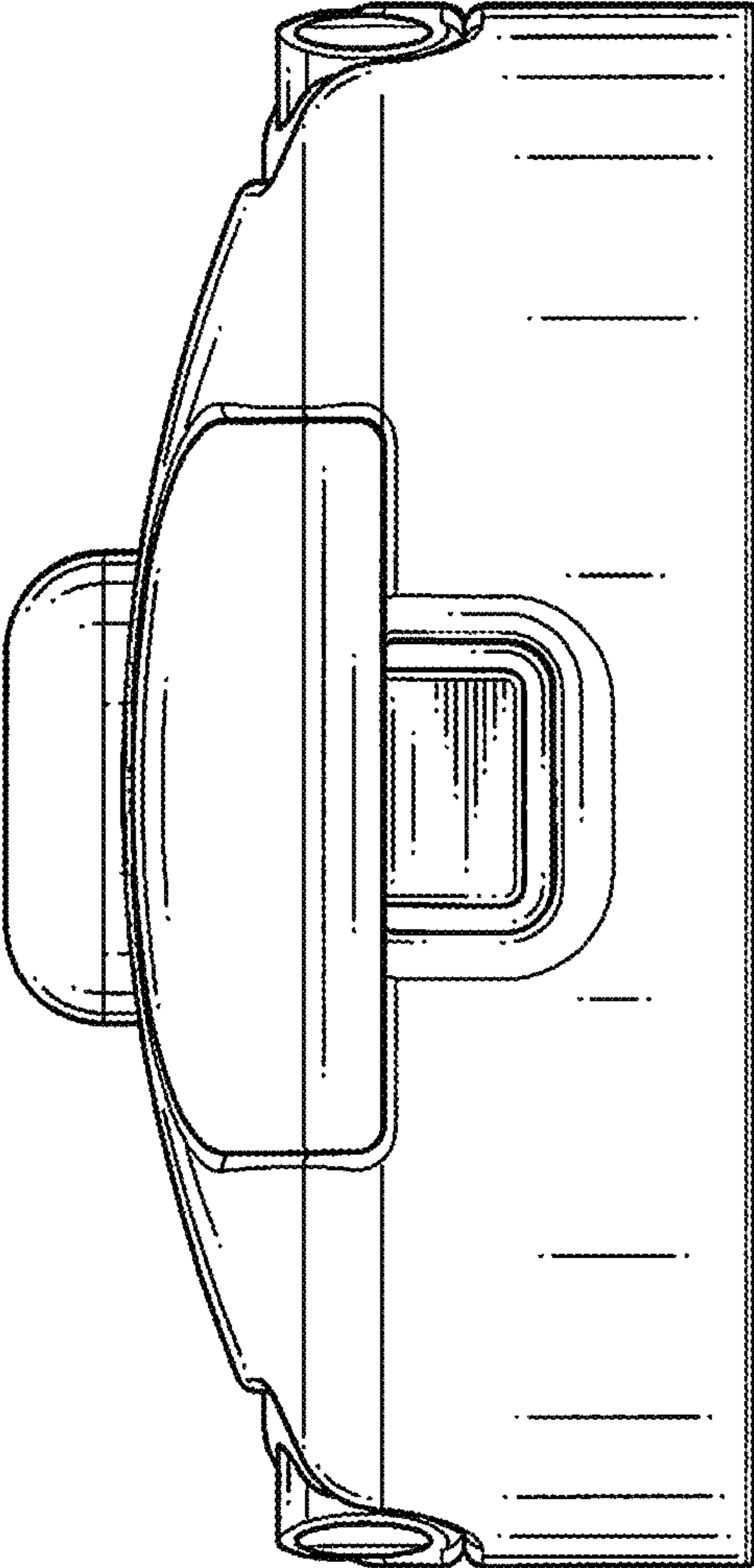


FIG. 2

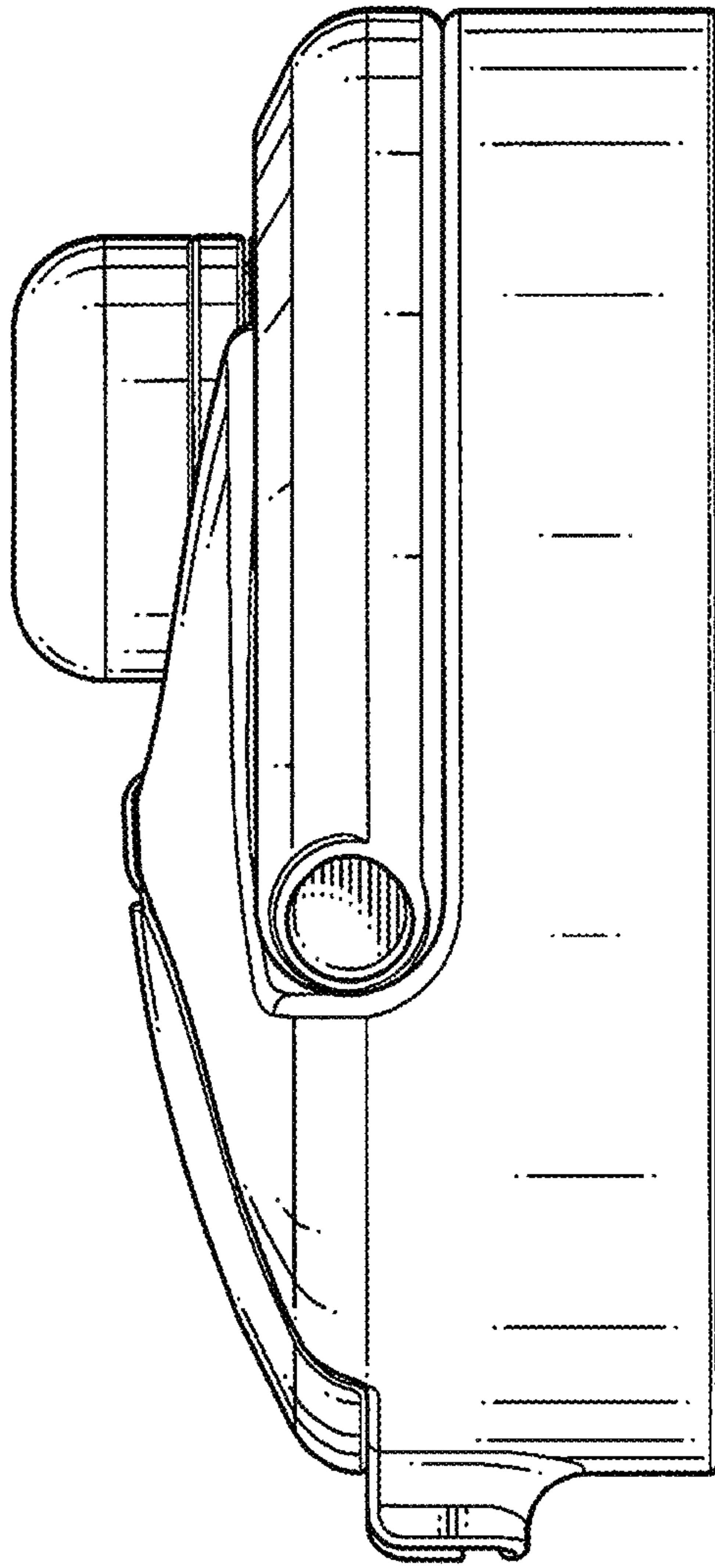


FIG. 3

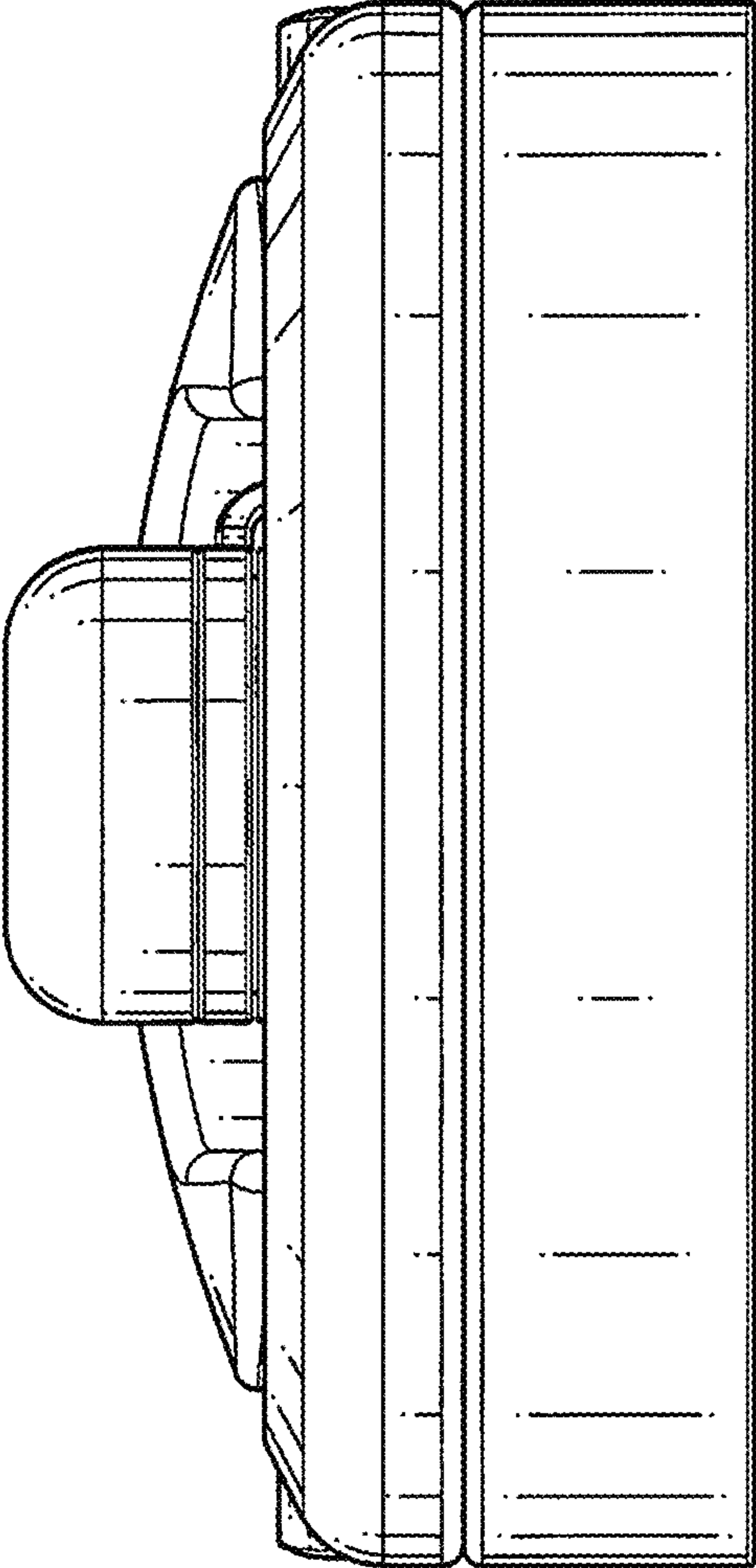


FIG. 4

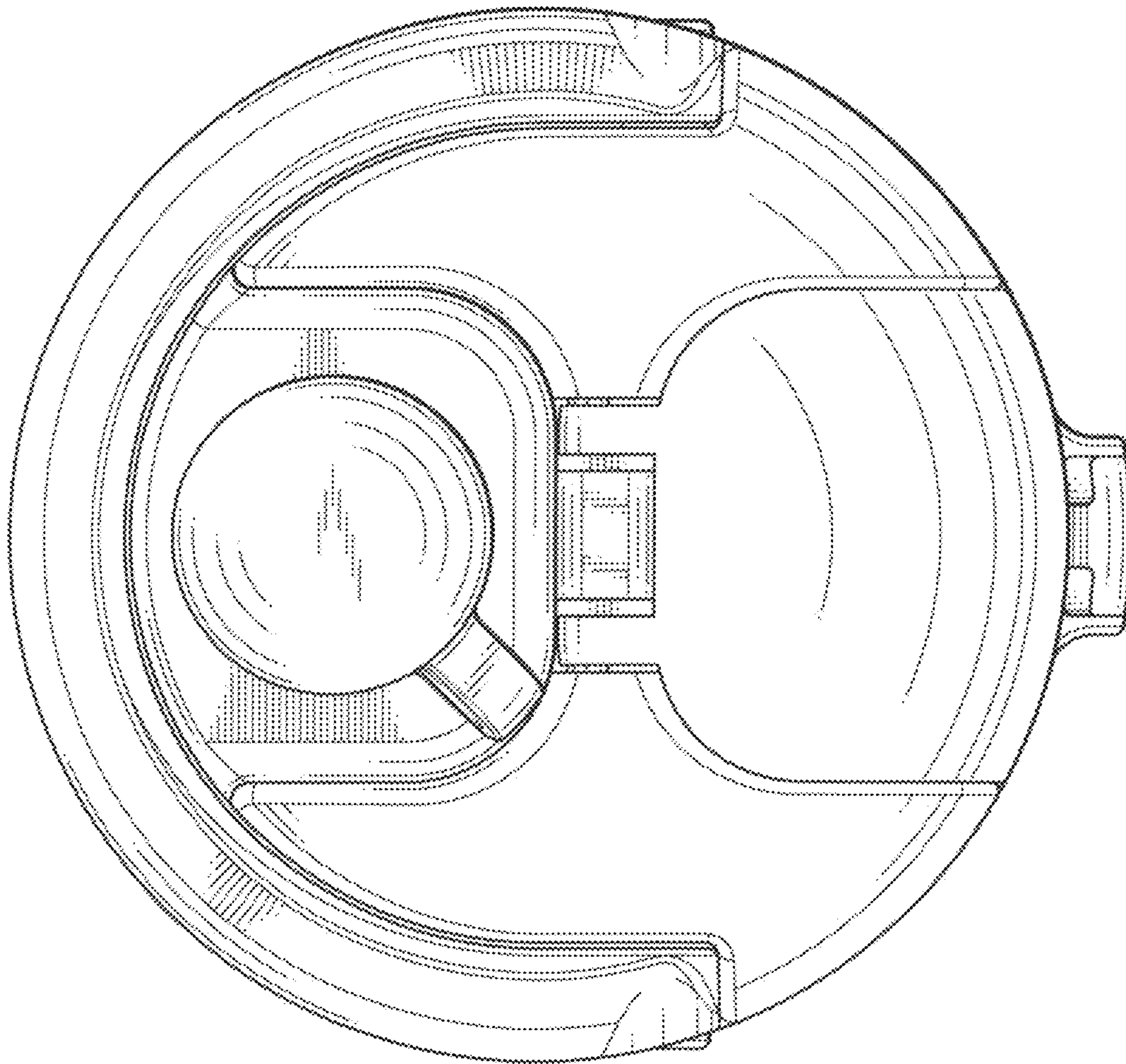


FIG. 5

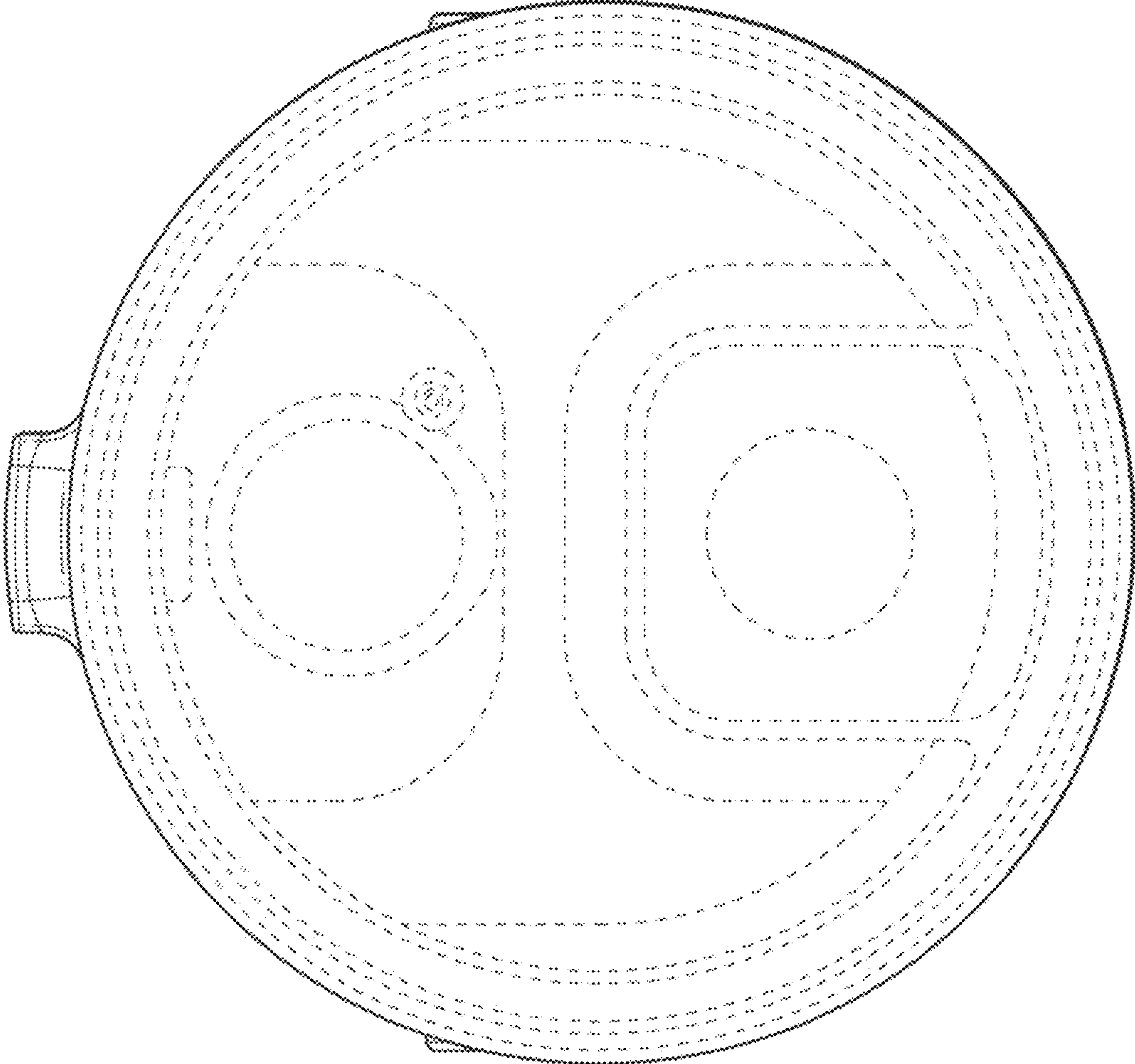


FIG. 6

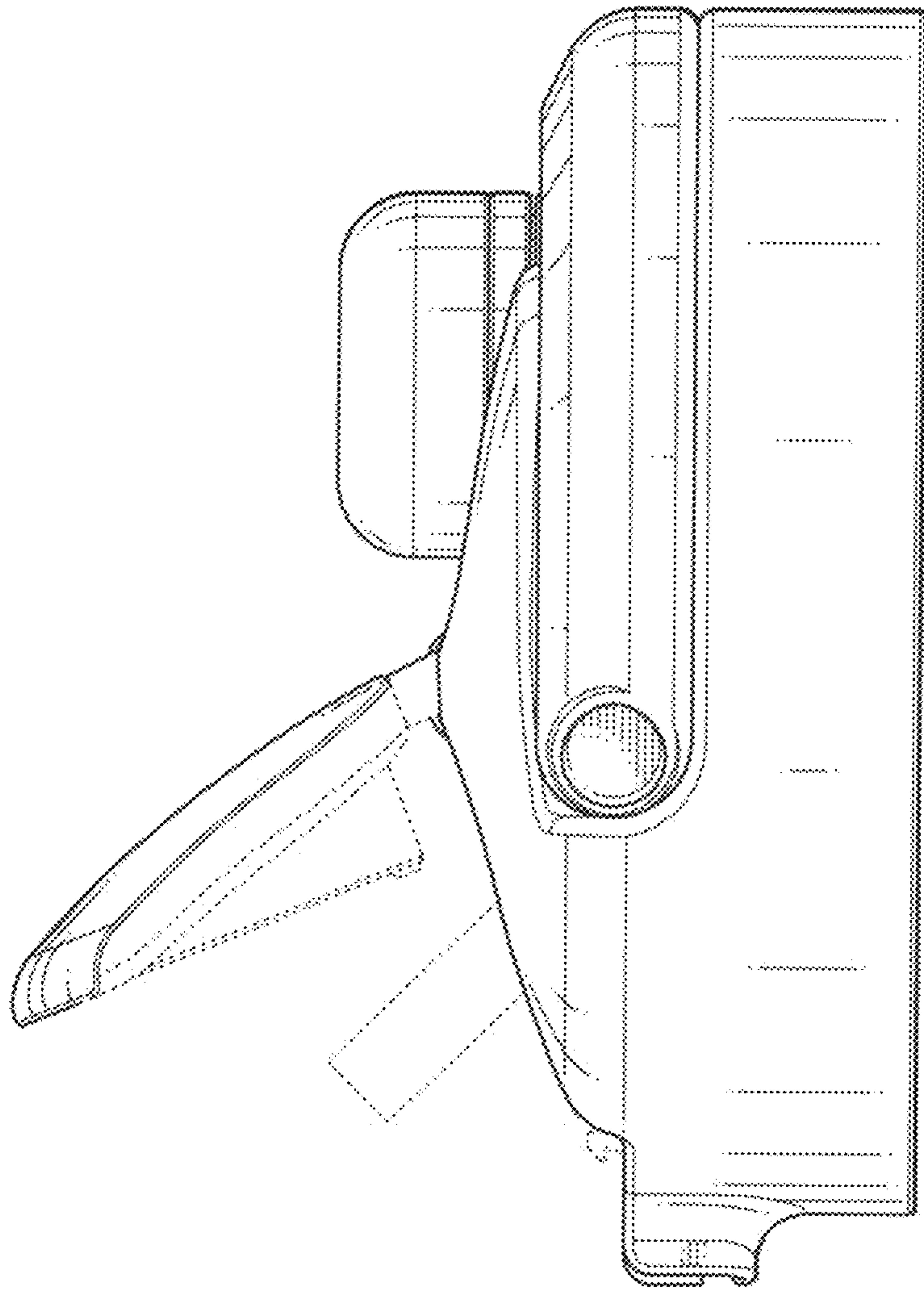


FIG. 7