



US00D889198S

(12) **United States Design Patent**
Shepard et al.

(10) **Patent No.:** **US D889,198 S**

(45) **Date of Patent:** **** Jul. 7, 2020**

(54) **DUAL ACCESS FLUID DISPENSING LID**

(71) Applicant: **Zak Designs, Inc.**, Spokane, WA (US)

(72) Inventors: **Seth Shepard**, Spokane, WA (US);
Andrew Gillespie, South Easton, MA (US)

(73) Assignee: **Zak Designs, Inc.**, Spokane, WA (US)

(**) Term: **15 Years**

(21) Appl. No.: **29/661,468**

(22) Filed: **Aug. 28, 2018**

(51) **LOC (12) Cl.** **07-99**

(52) **U.S. Cl.**
USPC **D7/396.2**; D9/449

(58) **Field of Classification Search**
USPC D7/387, 392.1, 396.2; D9/434–436, 440,
D9/443, 446–449, 454, 455, 499
CPC A45F 3/16; A47G 19/2272; B65D 47/066;
B65D 47/122; B65D 47/148; B65D 47/32
See application file for complete search history.

(56) **References Cited**

U.S. PATENT DOCUMENTS

D792,216 S *	7/2017	Breit	D9/443
D795,009 S *	8/2017	Alprin	D7/392.1
D816,397 S *	5/2018	Karl, IV	D7/392.1
D817,085 S *	5/2018	Davis	D7/392.1
D824,721 S *	8/2018	Hu	D7/392.1
D825,332 S *	8/2018	Miksovsky	D9/446
D847,563 S *	5/2019	Jacobsen	D7/396.2
D856,067 S *	8/2019	Barber	D7/392.1

OTHER PUBLICATIONS

Amazon. Zak! Designs Marvel Universe Vacuum Jug, Deadpool, 32oz. No date specified. https://www.amazon.com/Zak-Designs-Marvel-Universe-Deadpool/dp/B01KZU0L8U/ref=sr_1_8?dchild=1&keywords=Stainless+Steel+Vacuum+Jug+zak&qid=1573764020&sr=8-8 (Year: 0).*

* cited by examiner

Primary Examiner — Darcey E Gottschalk

(74) *Attorney, Agent, or Firm* — Randall Danskin P.S.

(57) **CLAIM**

We claim the ornamental design for a dual access fluid dispensing lid, as shown and described.

DESCRIPTION

FIG. 1 is a top, front and right side perspective view of the dual access fluid dispensing lid of the present invention, in a closed configuration.

FIG. 2 is a front elevational view thereof.

FIG. 3 is a right side elevational view thereof.

FIG. 4 is a rear elevational view thereof.

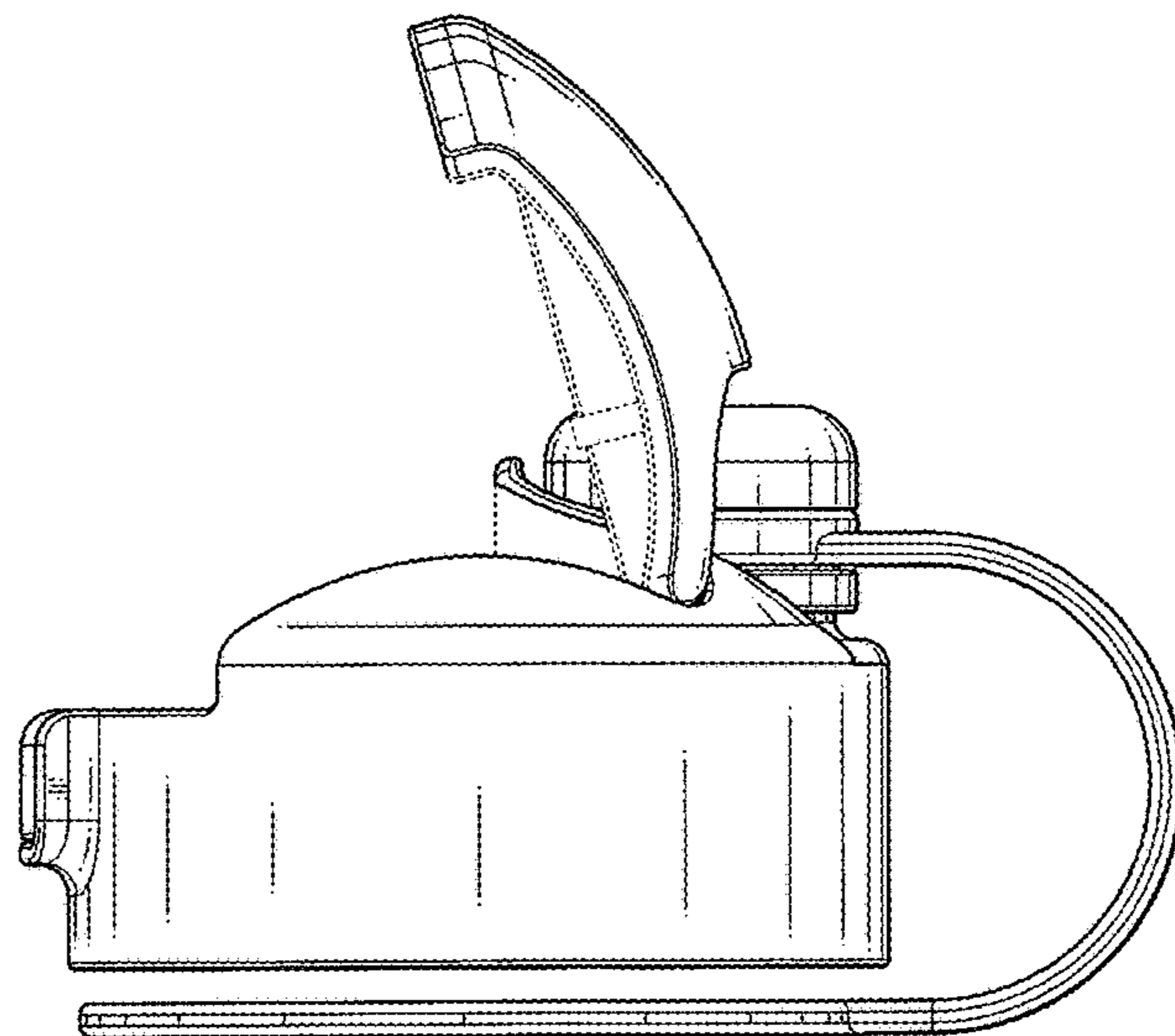
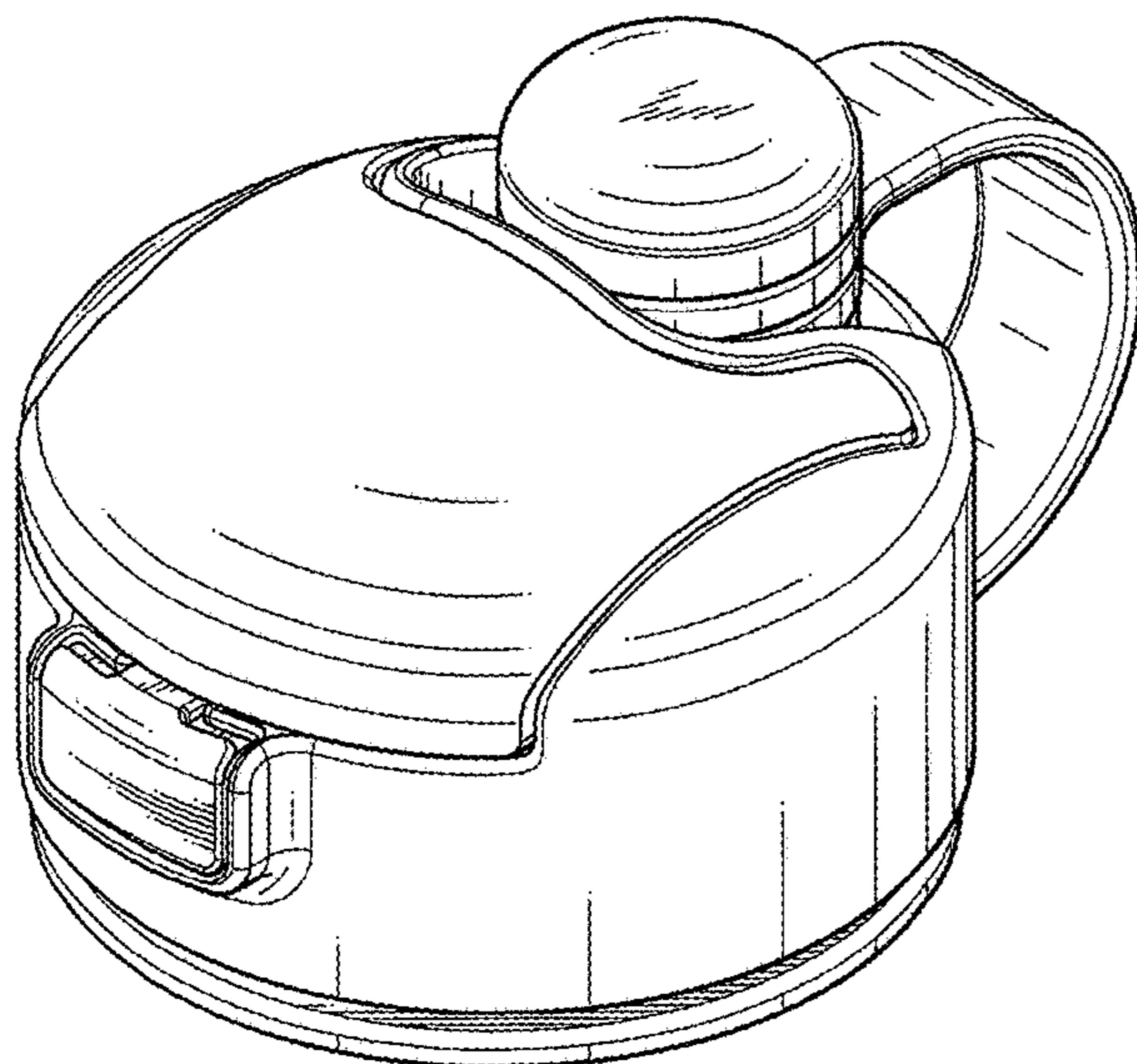
FIG. 5 is a top, plan view thereof.

FIG. 6 is a bottom, plan view thereof.

FIG. 7 is a right side elevational view of the dual access fluid dispensing lid of FIG. 3, in a first open configuration; and, FIG. 8 is a right side elevational view of the dual access fluid dispensing lid of FIG. 3, in a second open configuration.

The broken lines shown in the figures are for the purpose of illustrating portions of the dual access fluid dispensing lid, and form no part of the claimed design.

1 Claim, 8 Drawing Sheets



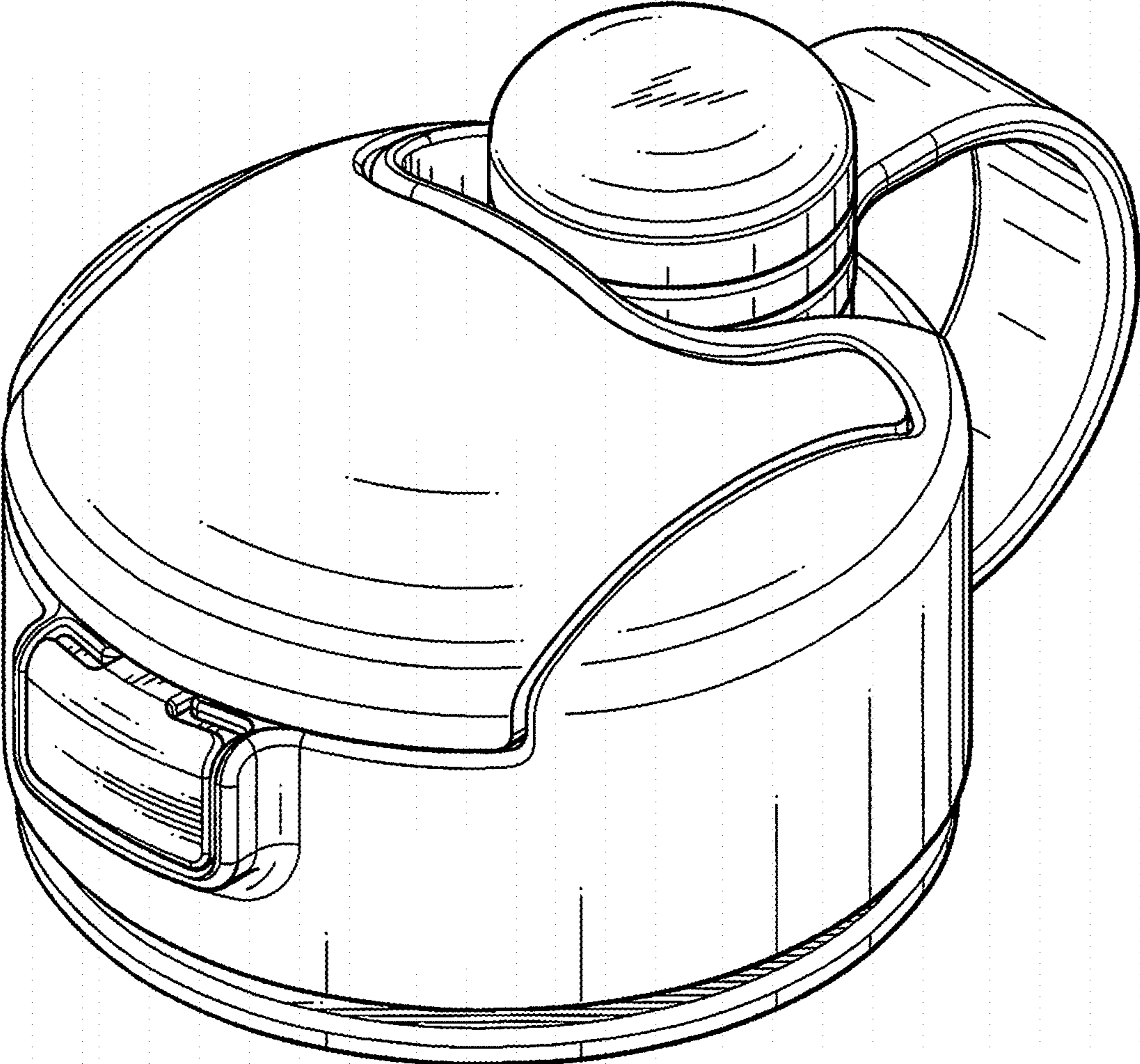


FIG. 1

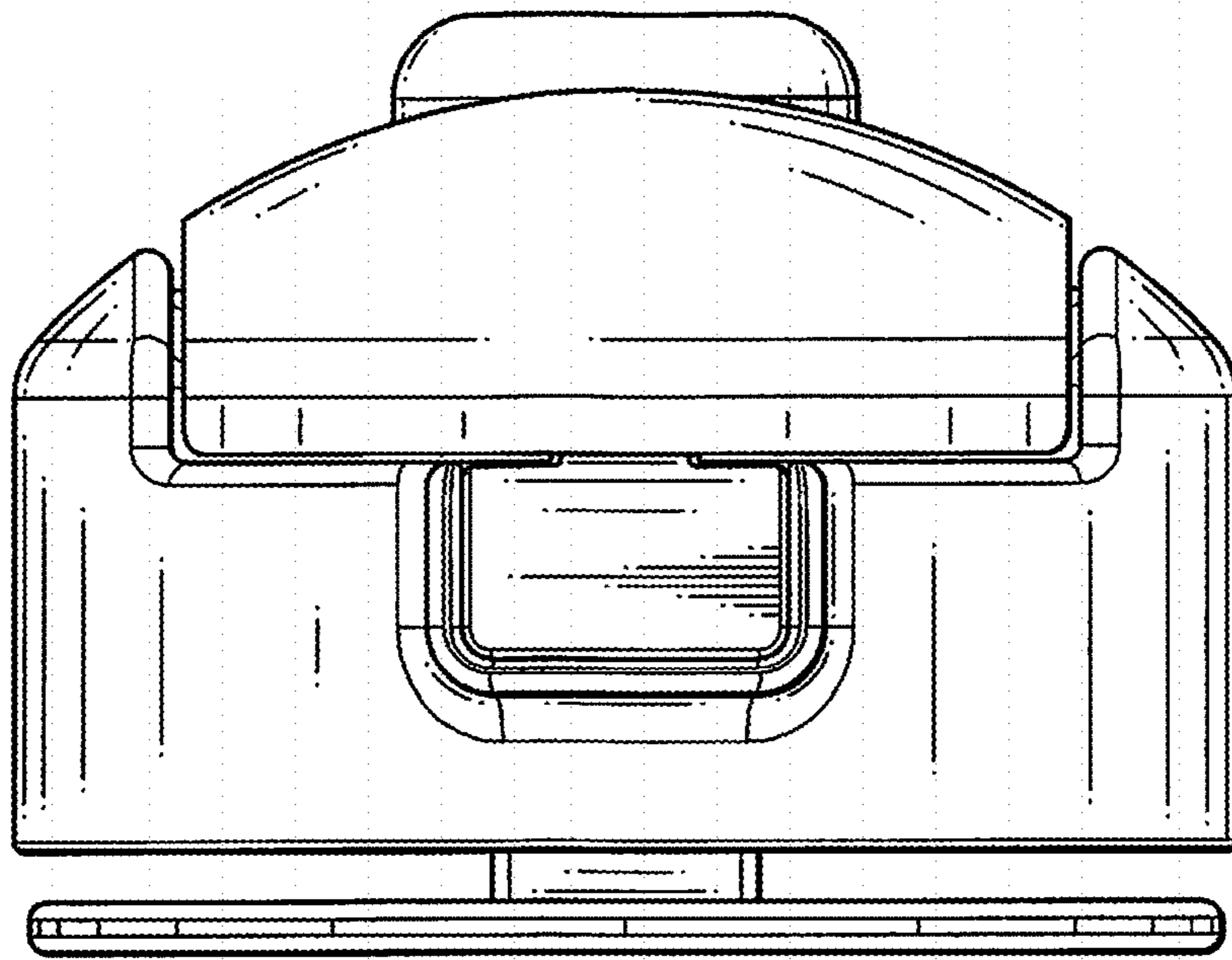


FIG. 2

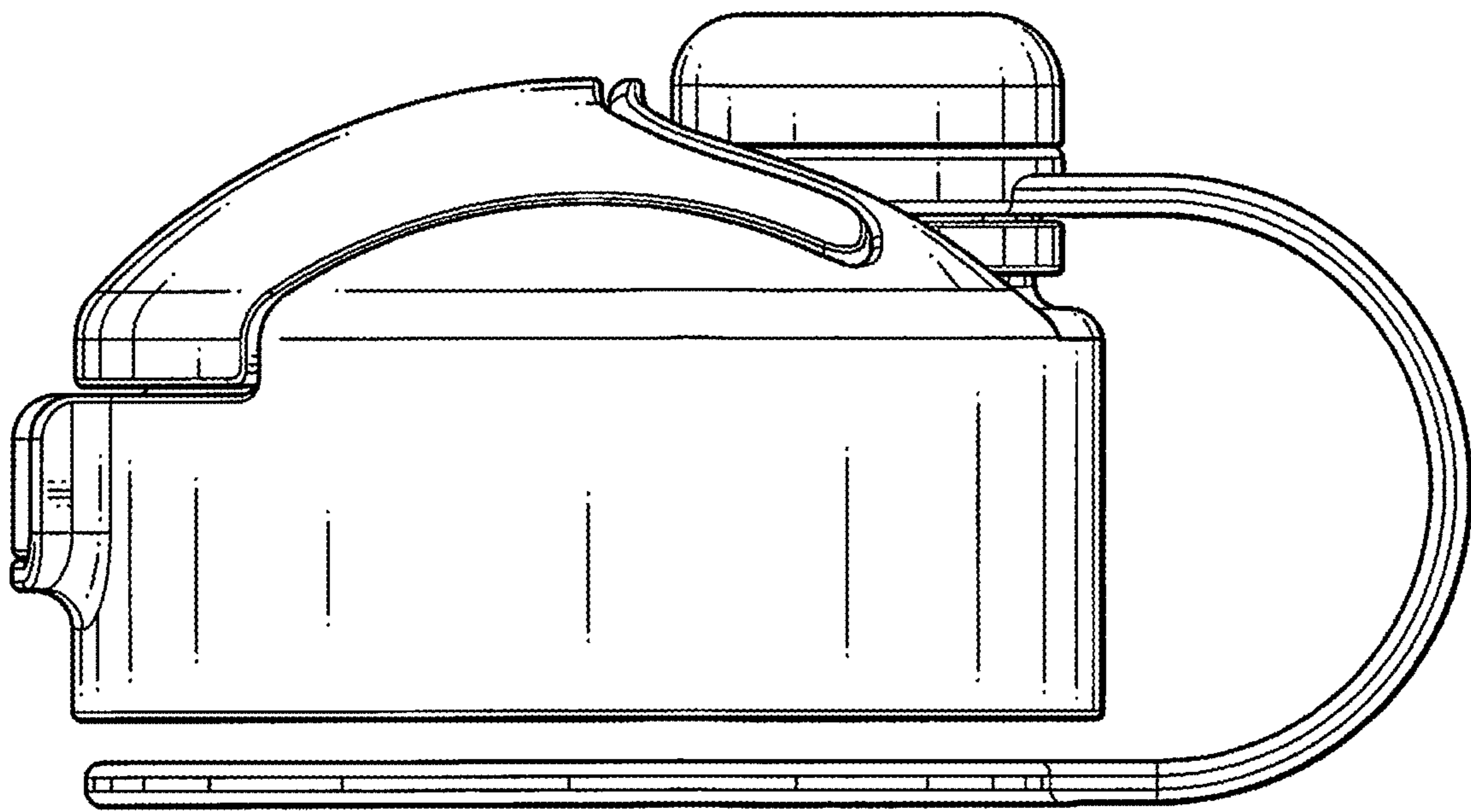


FIG. 3

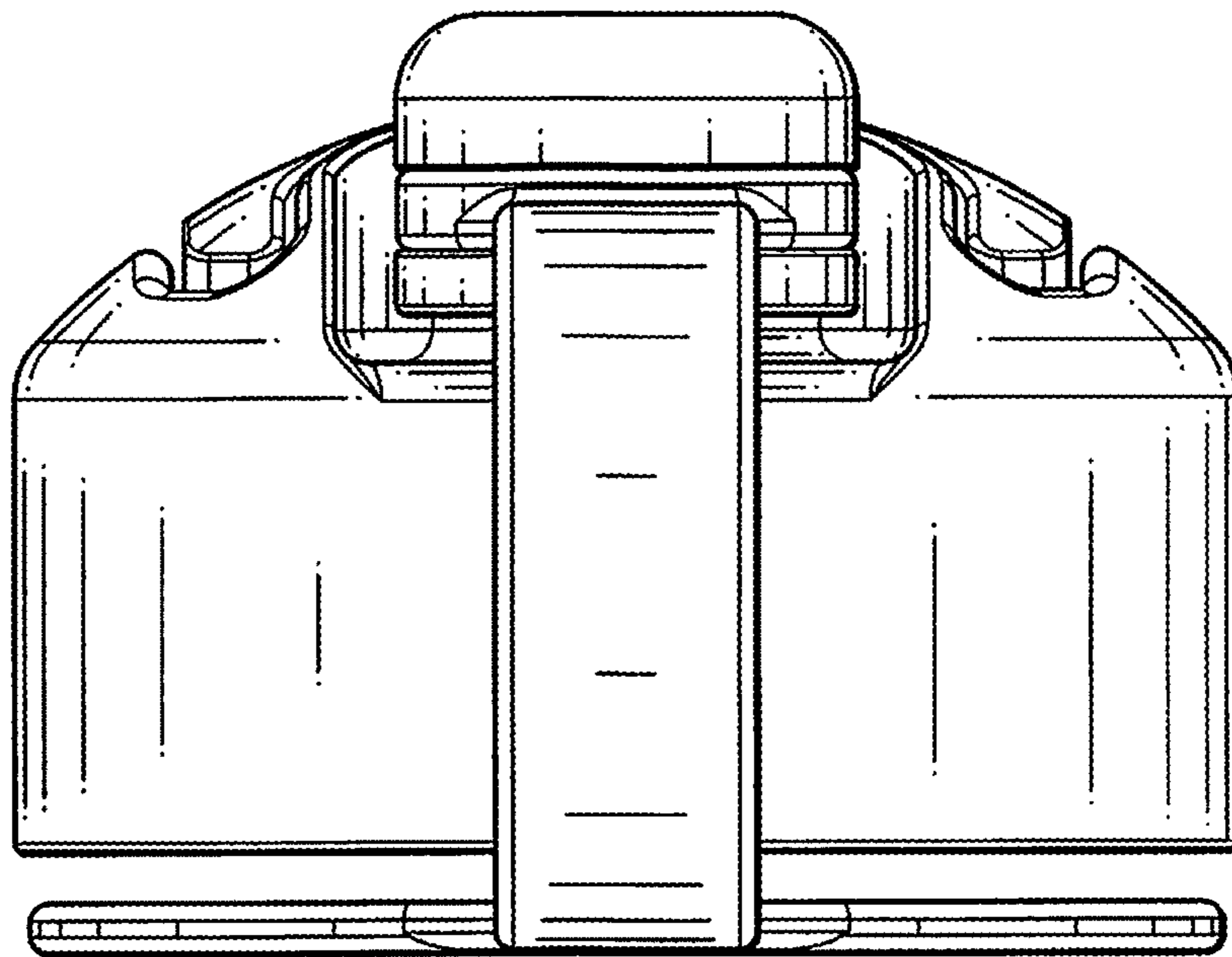


FIG. 4

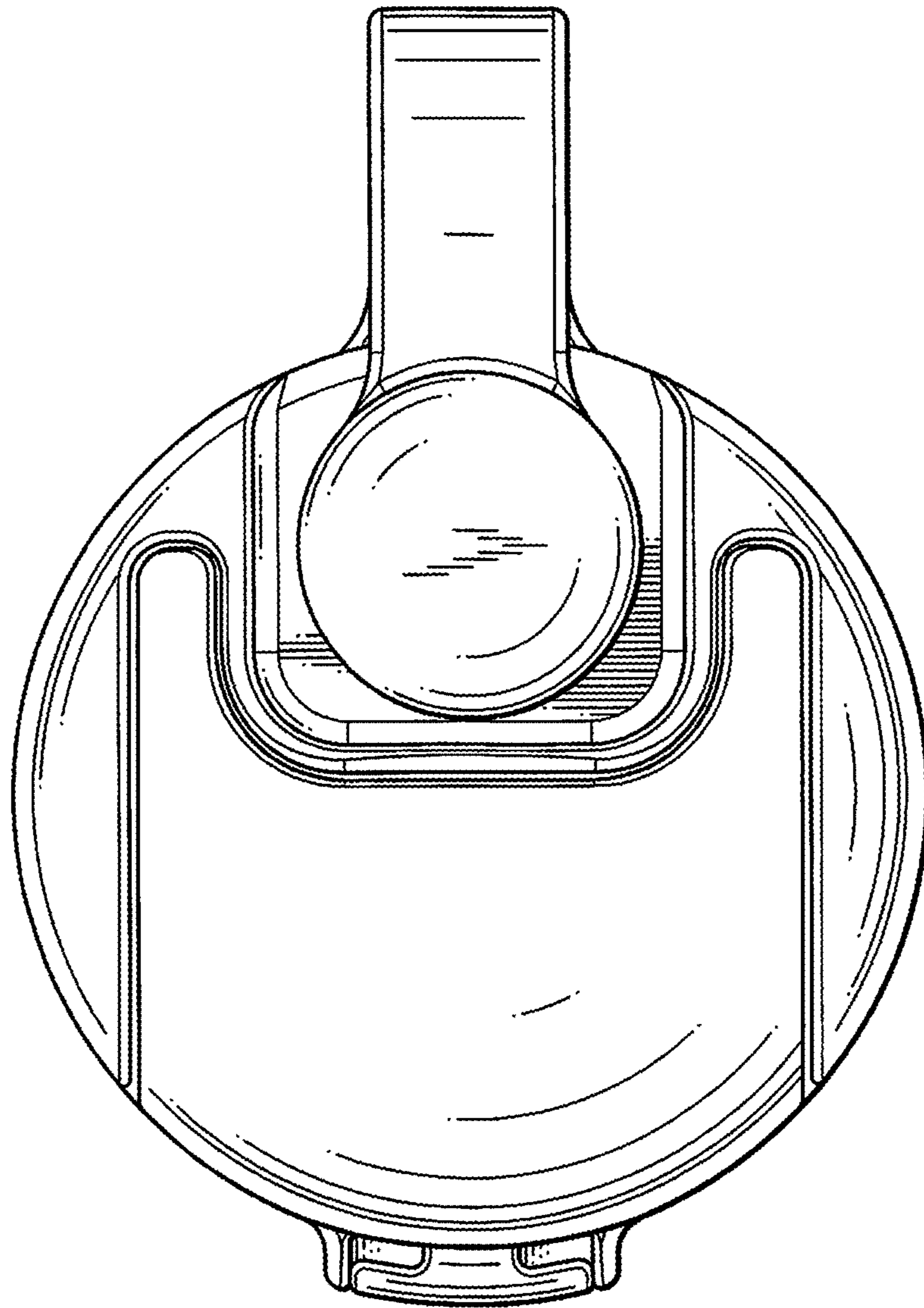


FIG. 5

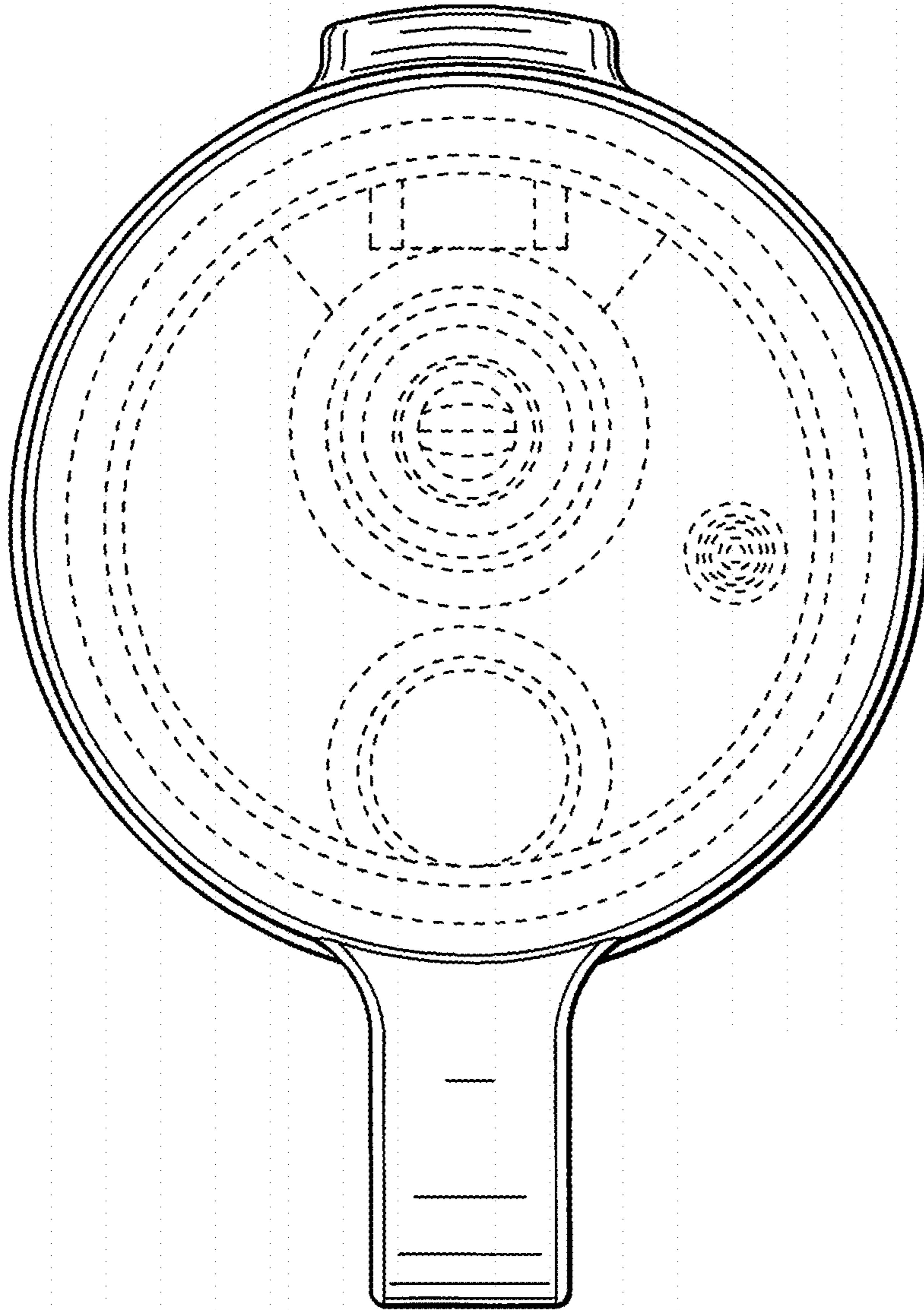


FIG. 6

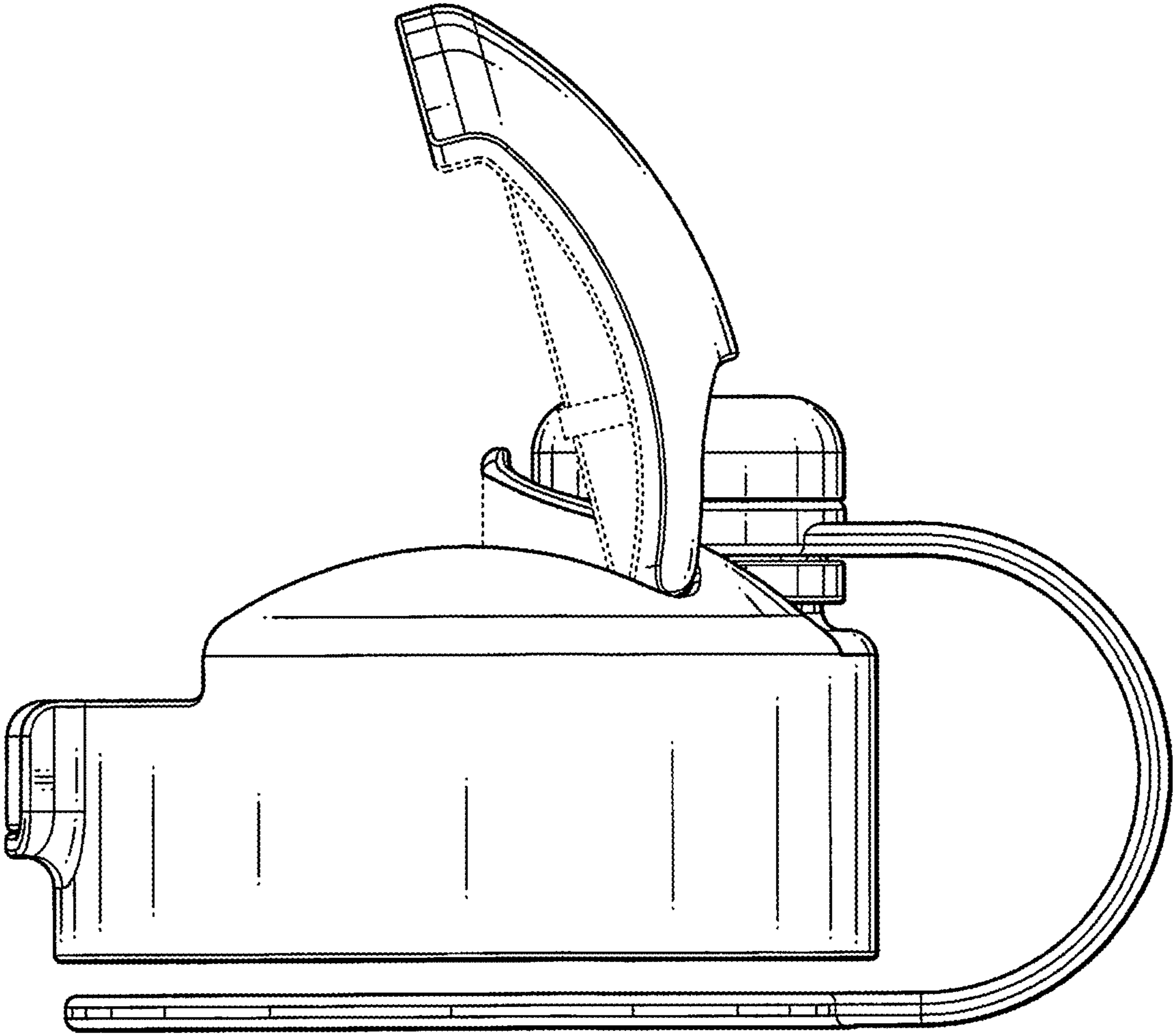


FIG. 7

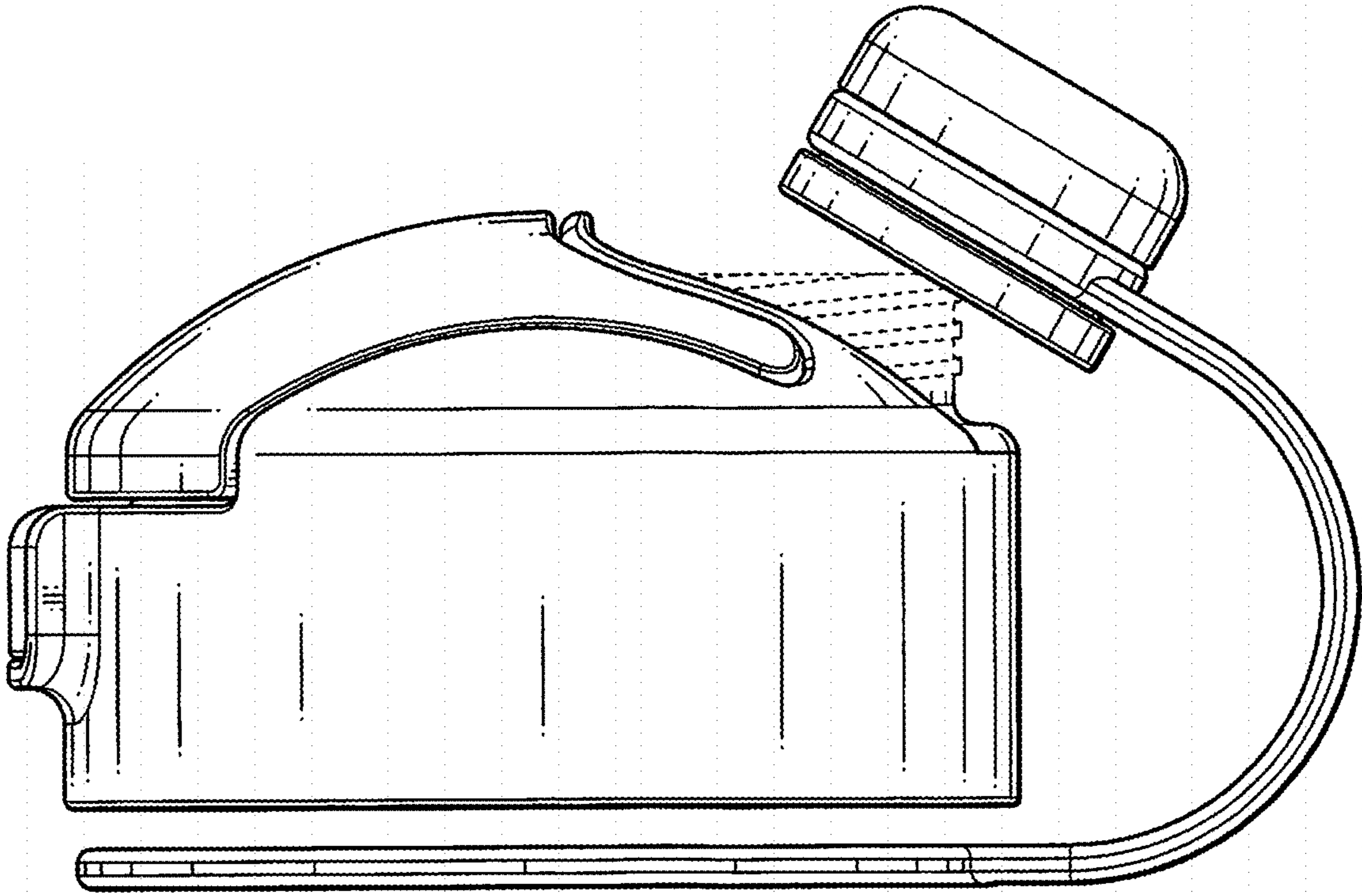


FIG. 8