



US00D889197S

(12) **United States Design Patent**
Beall

(10) **Patent No.:** **US D889,197 S**
(45) **Date of Patent:** **** Jul. 7, 2020**

- (54) **COOKWARE HANDLE**
- (71) Applicant: **Sertodo Incorporated**, Austin, TX (US)
- (72) Inventor: **Jonathan Glen Beall**, Austin, TX (US)
- (73) Assignee: **Sertodo Incorporated**, Austin, TX (US)
- (**) Term: **15 Years**
- (21) Appl. No.: **29/668,910**
- (22) Filed: **Nov. 2, 2018**
- (51) **LOC (12) Cl.** **07-02**
- (52) **U.S. Cl.**
USPC **D7/395**
- (58) **Field of Classification Search**
USPC D7/354-361, 393-395, 401.2, 664;
D8/107, 300, 303, 307, 313, 321;
D4/138, 129
CPC A47J 45/06; A47J 45/061; A47J 45/62;
A47J 45/071; A47J 45/072; A47J 45/08;
A47J 45/085
See application file for complete search history.

D394,186 S *	5/1998	Dodane	D7/395
D480,912 S *	10/2003	Logiudice	D7/395
D510,232 S *	10/2005	Varelli	D7/393
D518,331 S	4/2006	Rae		
D555,421 S	11/2007	Thurlow et al.		
D675,863 S *	2/2013	Zucchi	D7/354
8,627,550 B1 *	1/2014	Chung	A47J 45/00 16/422
D704,996 S *	5/2014	Wright	D7/395
D734,981 S *	7/2015	Thun	D7/395
D805,347 S *	12/2017	Hundley	D7/395
D813,596 S *	3/2018	Zucchi	D7/395
D828,715 S *	9/2018	Mishan	D7/361
D831,408 S *	10/2018	Tsai	D7/361
D840,749 S *	2/2019	Zemel	D7/395

* cited by examiner

Primary Examiner — Cynthia M. Chin

(74) *Attorney, Agent, or Firm* — Sprinkle IP Law Group

(57) **CLAIM**

The ornamental design for a cookware handle, as shown and described.

DESCRIPTION

FIG. 1 is a front view of a new cookware handle design;
 FIG. 2 is a side view thereof;
 FIG. 3 is a top view thereof;
 FIG. 4 is a bottom view thereof;
 FIG. 5 is a front perspective view thereof;
 FIG. 6 is a rear perspective view thereof;
 FIG. 7 is a front elevation view thereof;
 FIG. 8 is a side elevation view thereof;
 FIG. 9 is a top elevation view thereof; and,
 FIG. 10 is a perspective view thereof.

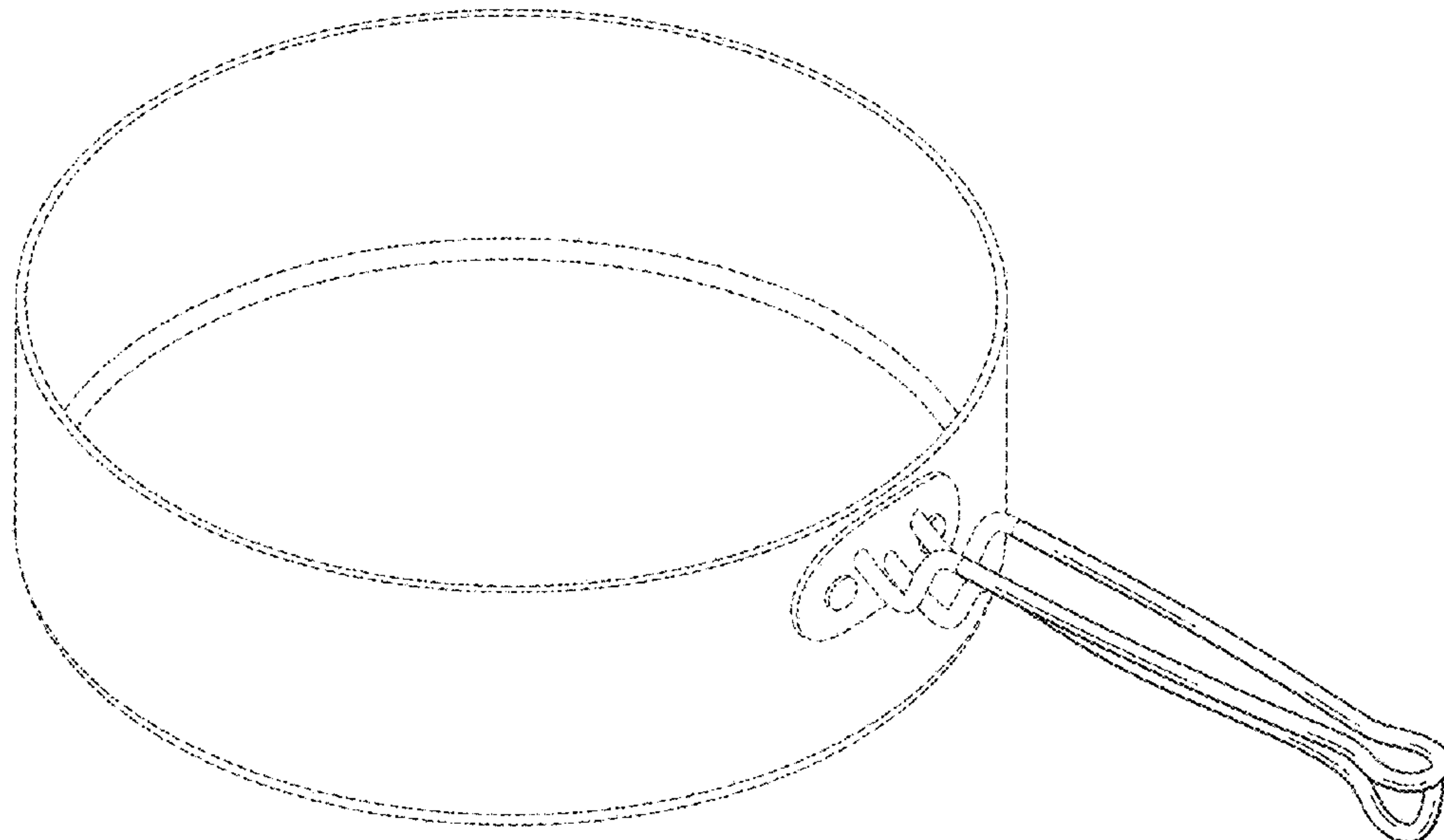
The dash-dot broken lines immediately adjacent the shaded areas represent the bounds of the claim and all other evenly-spaced broken lines in FIGS. 7-10 represent the environment in which the design resides. None of the broken lines form a part of the claimed design.

1 Claim, 7 Drawing Sheets

(56) **References Cited**

U.S. PATENT DOCUMENTS

1,943,585 A *	1/1934	Cummins	A47J 45/071 220/759
3,297,349 A *	1/1967	Pryce	A47J 45/071 294/2
D271,656 S *	12/1983	Kanoui	D7/691
D273,755 S *	5/1984	Thurlow	D7/359
4,494,274 A *	1/1985	Thurlow	A47J 45/061 16/431
D298,404 S *	11/1988	Lemme	D7/393
D308,457 S *	6/1990	Bleiler	D7/394
D338,804 S *	8/1993	Crawford	D7/393
D344,433 S *	2/1994	Philippe	D7/393



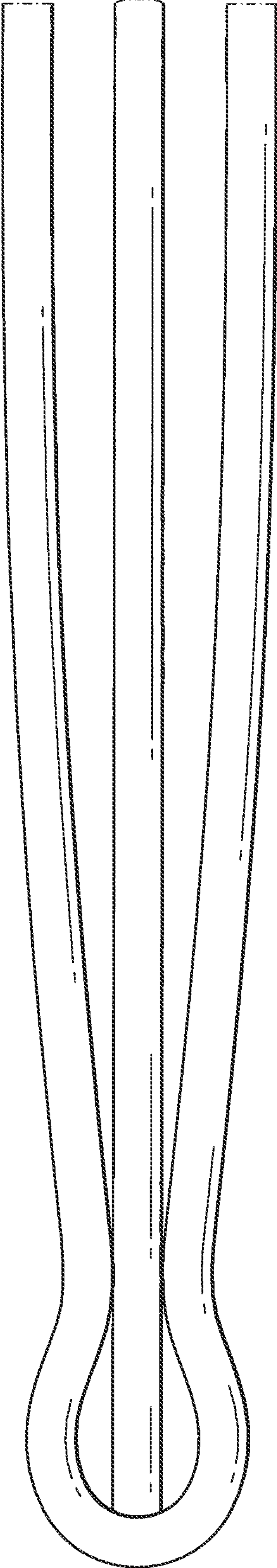


FIG. 1

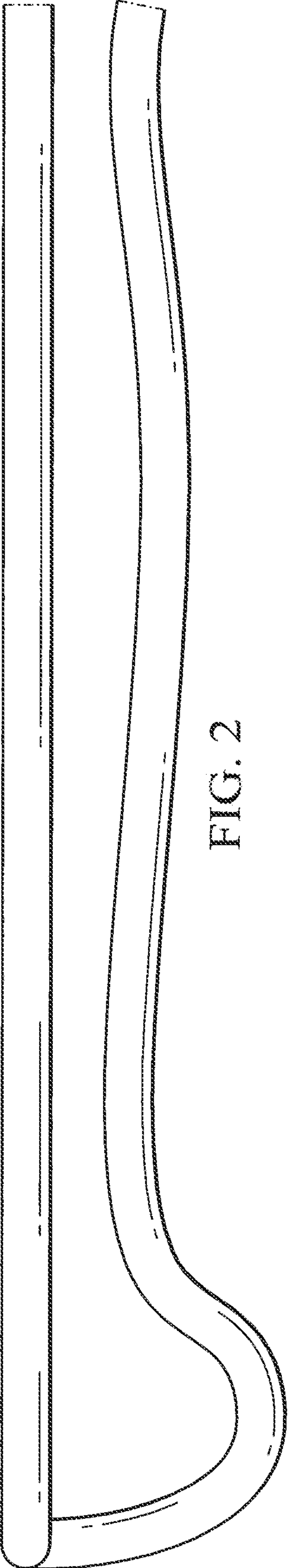


FIG. 2

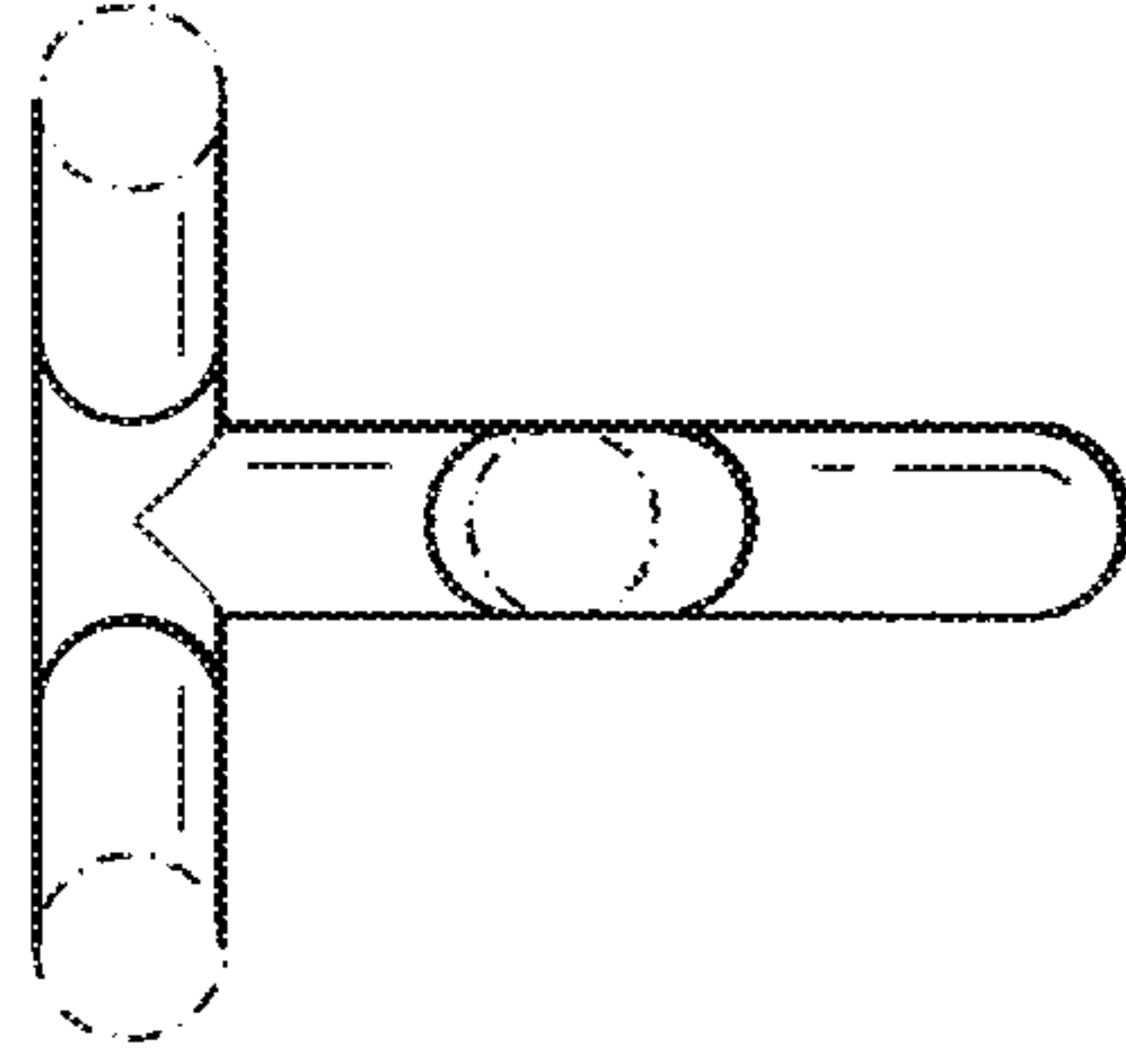


FIG. 4

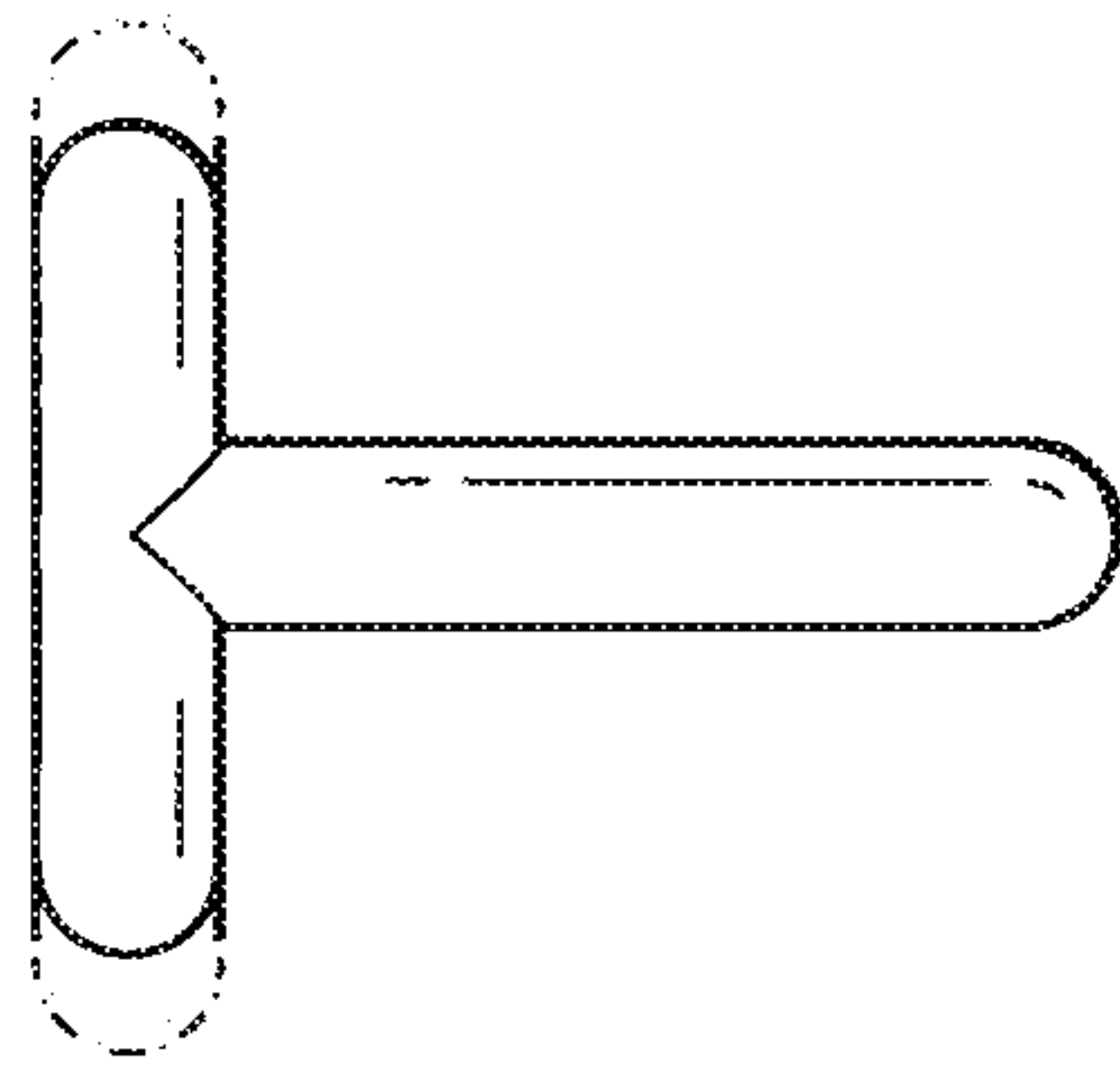


FIG. 3

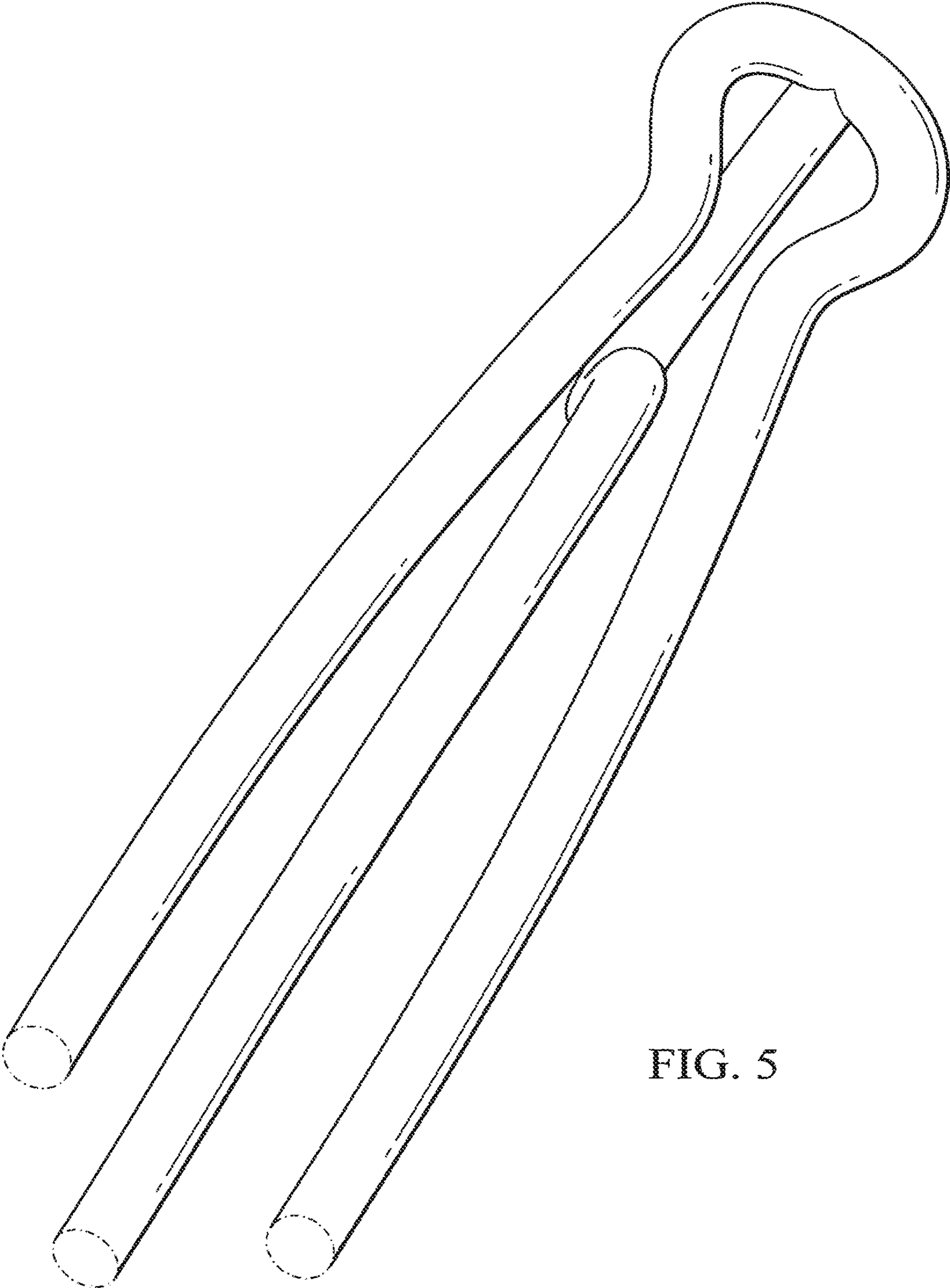


FIG. 5

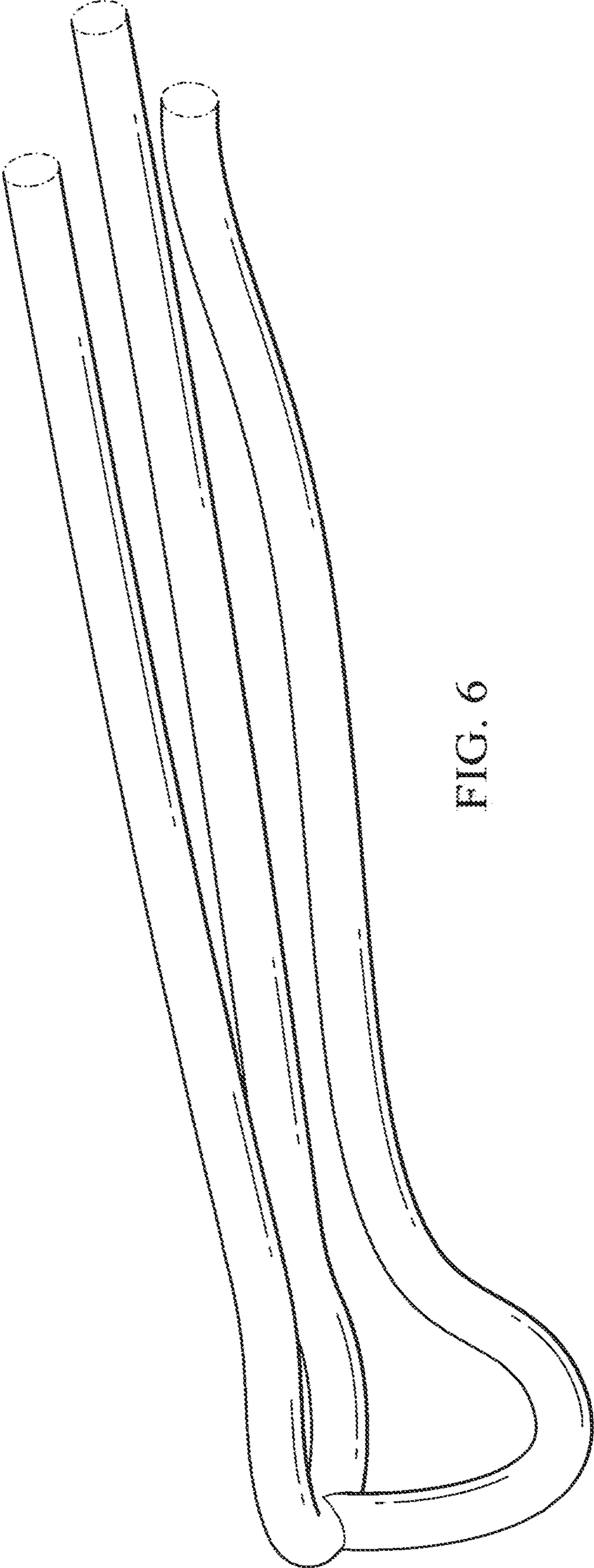


FIG. 6

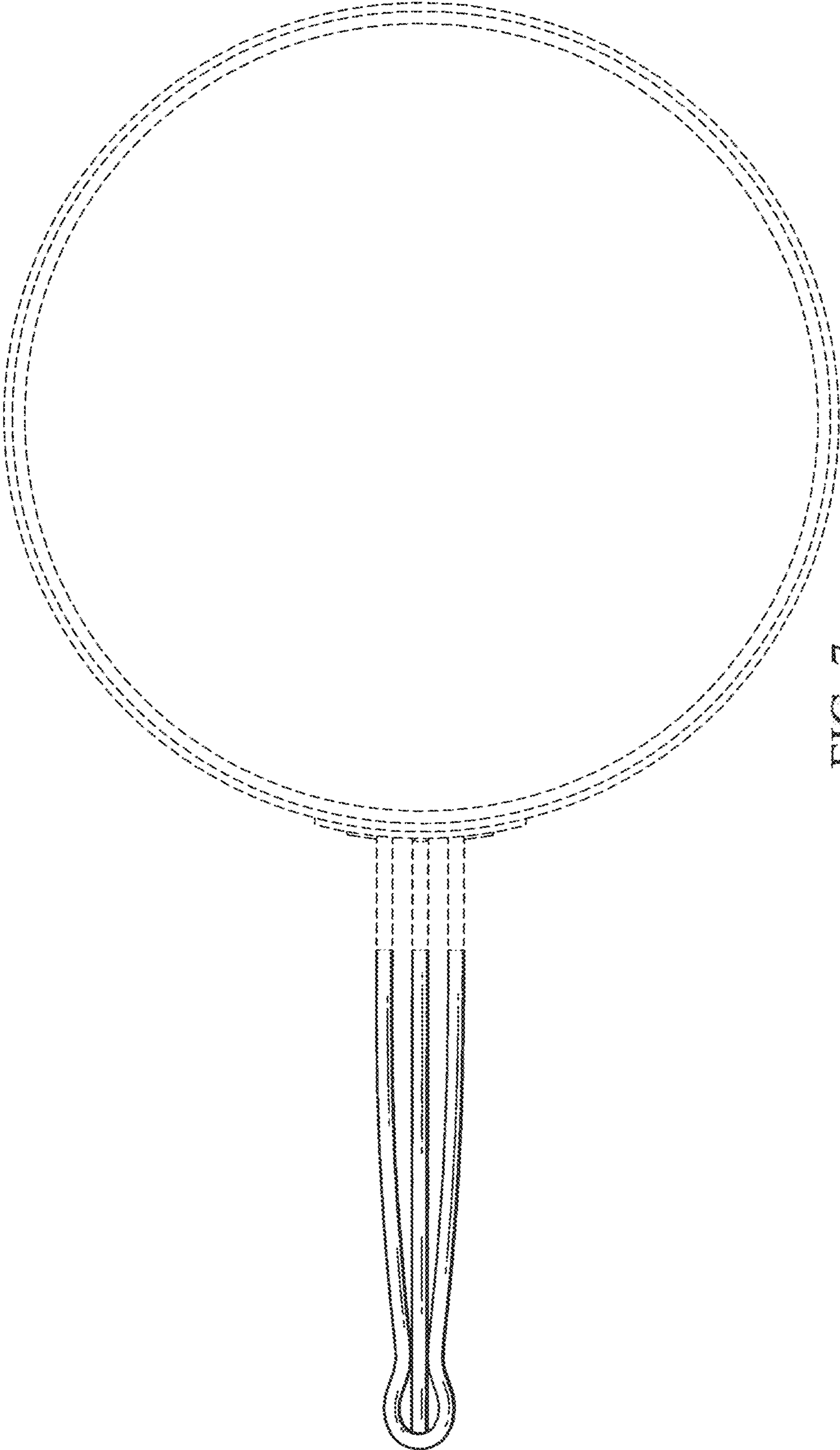


FIG. 7

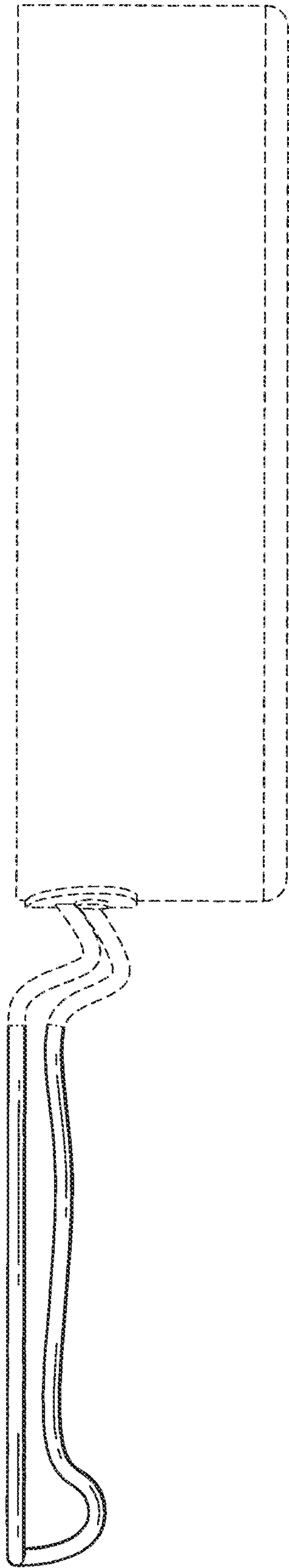


FIG. 8

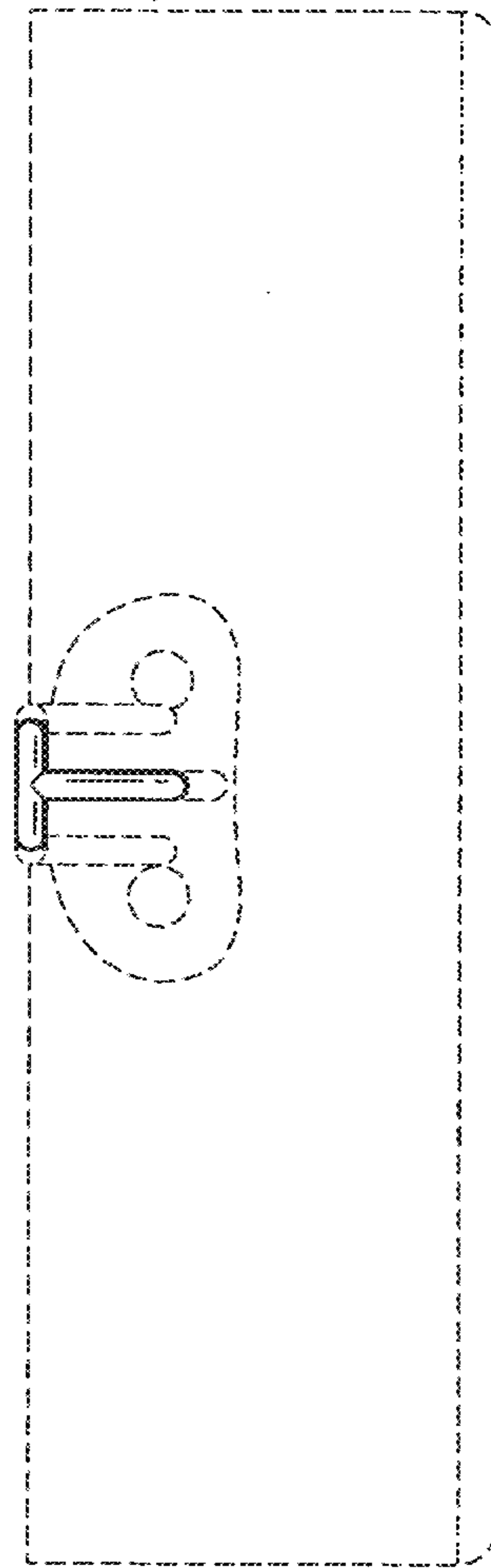


FIG. 9

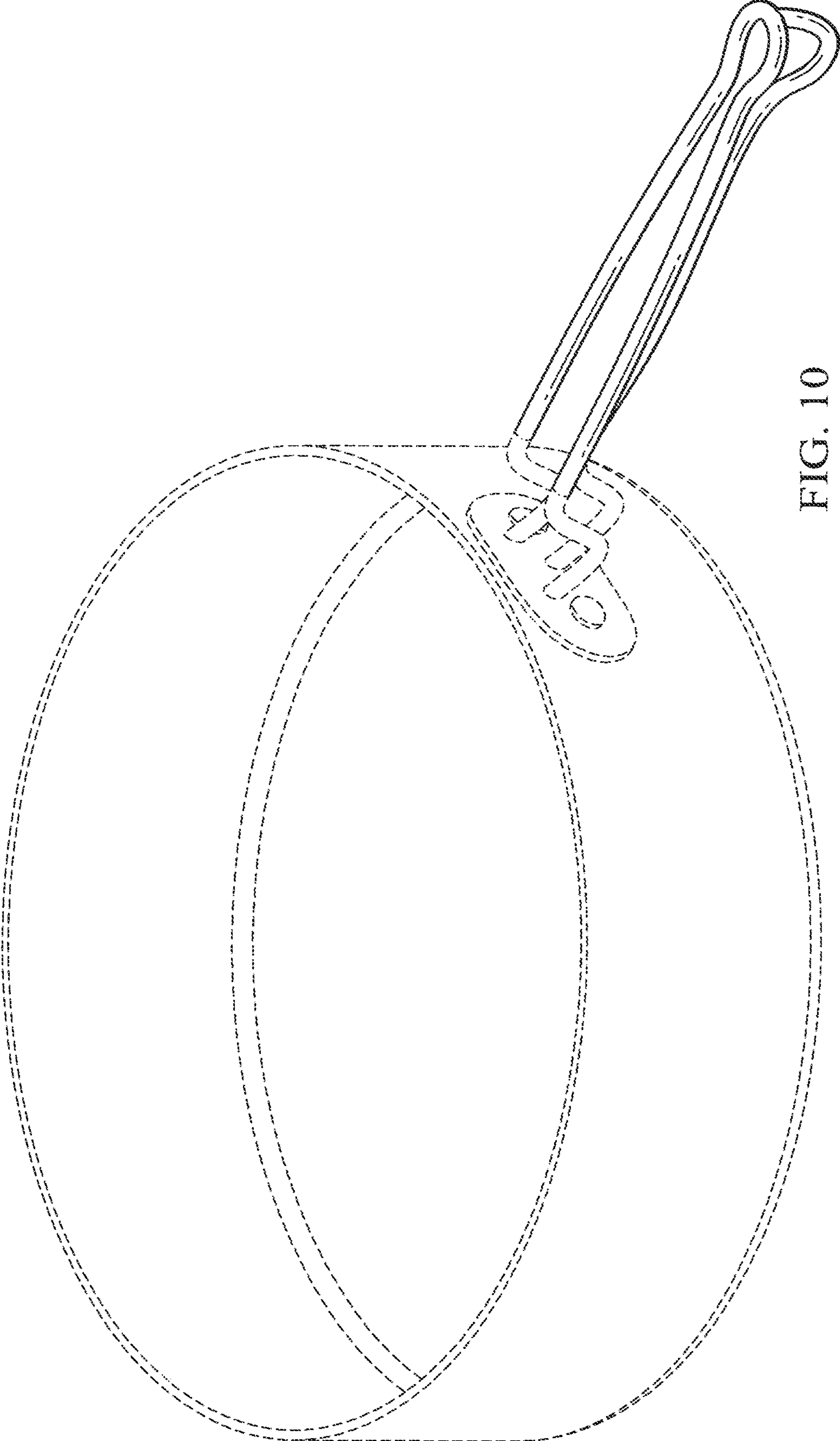


FIG. 10