



US00D889194S

(12) **United States Design Patent**
Han

(10) **Patent No.:** **US D889,194 S**

(45) **Date of Patent:** **** Jul. 7, 2020**

(54) **SIPPY CUP LID**

2014/0158699 A1* 6/2014 Kim A47G 19/2272
220/592.17

(71) Applicant: **Barenthal North America, Inc.**,
Whippany, NJ (US)

* cited by examiner

(72) Inventor: **Hongyuan Han**, New Vernon, NJ (US)

Primary Examiner — Karen S Acker

Assistant Examiner — Steven B Reinholdt, Jr.

(**) Term: **15 Years**

(74) *Attorney, Agent, or Firm* — Preti Flaherty Beliveau
& Paschios LLP

(21) Appl. No.: **29/638,021**

(57) **CLAIM**

(22) Filed: **Feb. 23, 2018**

The ornamental design for a sippy cup lid, as shown and described.

(51) **LOC (12) Cl.** **07-99**

(52) **U.S. Cl.**

USPC **D7/392.1; D7/392**

(58) **Field of Classification Search**

USPC D7/300, 300.2, 301, 392, 392.1, 424,
D7/430, 435, 443, 447, 449, 453, 454,
D7/510, 511, 538, 540, 542, 543, 544,
D7/545, 629, 635, 780; D23/207;
D27/101; D9/434, 436

CPC A47G 21/18; A61J 7/0038; B65D
2517/0049

See application file for complete search history.

DESCRIPTION

FIG. 1 is an enlarged top-front-left perspective view of a sippy cup lid according to my new design shown in the closed position;

FIG. 2 is a top-front-left of the sippy cup lid of FIG. 1 shown in the open position;

FIG. 3 is a front view of the sippy cup lid of FIG. 1 in a closed position;

FIG. 4 is a top-back-left view thereof;

FIG. 5 is a right view thereof, the left view being a mirror image thereto;

FIG. 6 is a top plan view of the sippy cup lid of FIG. 1;

FIG. 7 is an enlarged bottom-back-left perspective view thereof; and,

FIG. 8 is an enlarged top-back-right perspective view thereof with the hinged lid removed for ease of viewing.

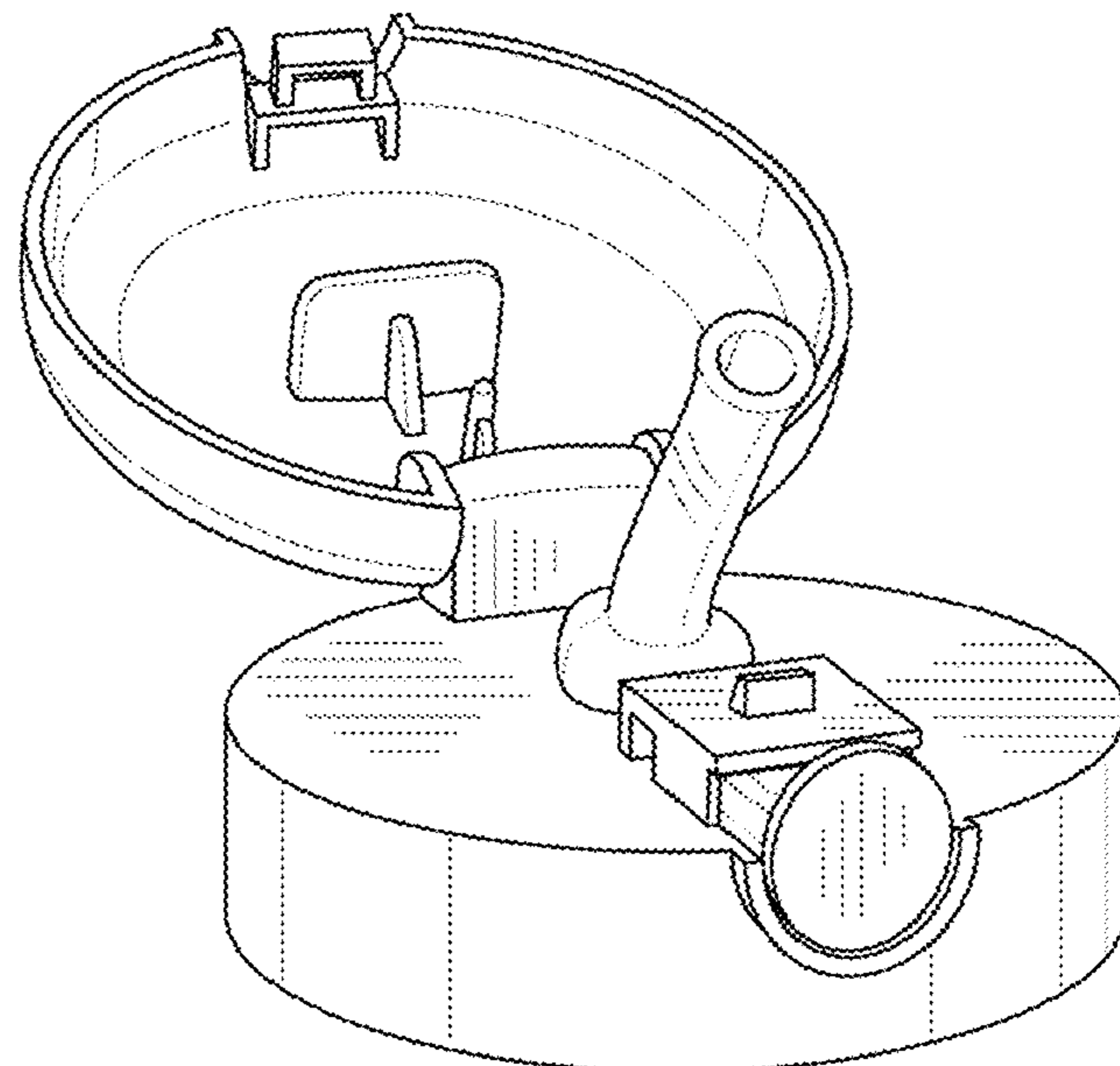
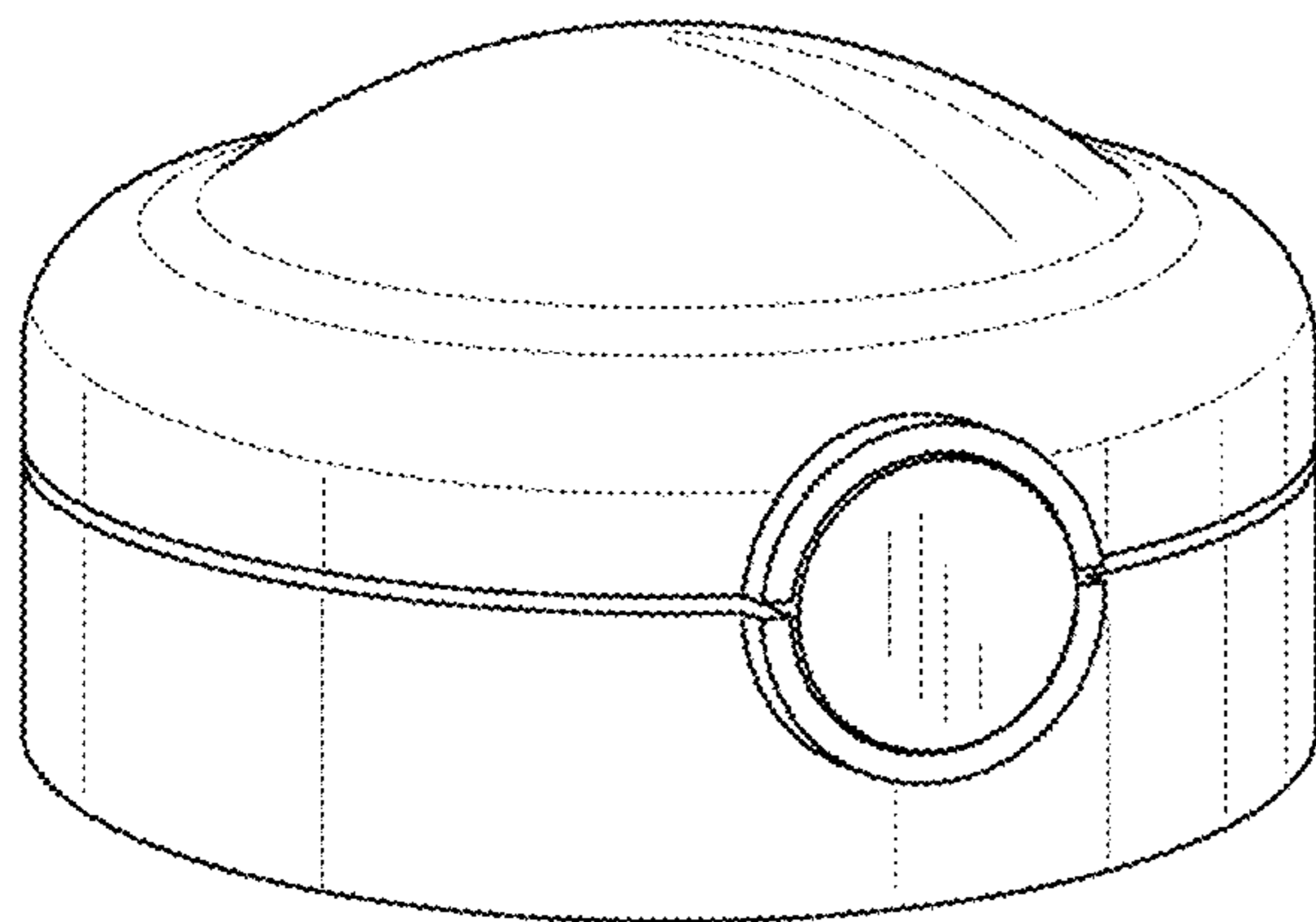
The broken lines in the drawings depict portions of the sippy cup lid that form no part of the claimed design.

(56) **References Cited**

U.S. PATENT DOCUMENTS

D758,790 S *	6/2016	Boroski	D7/392.1
D781,101 S *	3/2017	Barber	D7/391
D781,640 S *	3/2017	Roth	D7/300.2
D807,692 S *	1/2018	Yao	D7/392.1
D815,889 S *	4/2018	Xu	D7/392.1
D820,085 S *	6/2018	Moore	D9/449
D821,147 S *	6/2018	Chung	D7/510

1 Claim, 4 Drawing Sheets



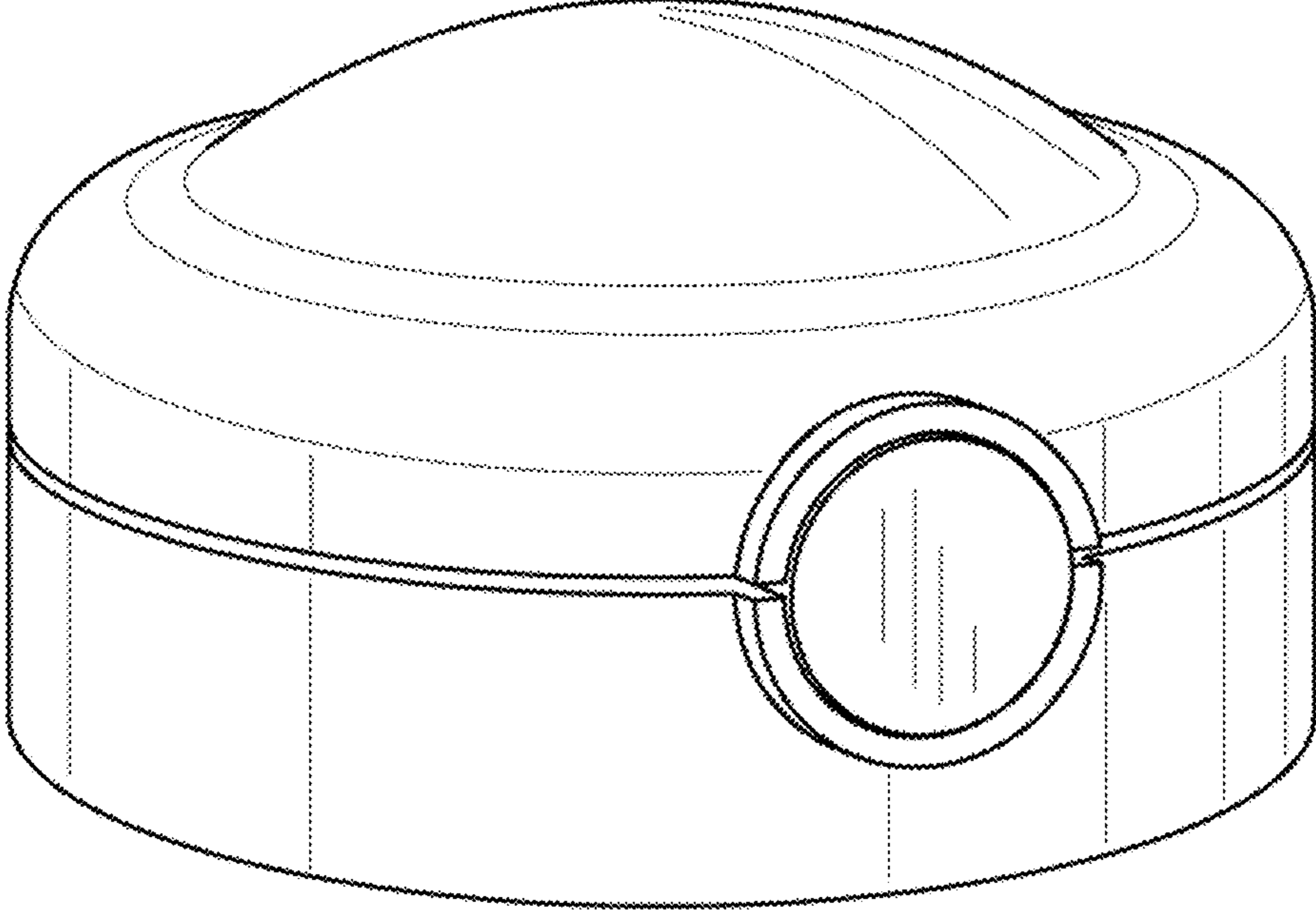


FIG. 1

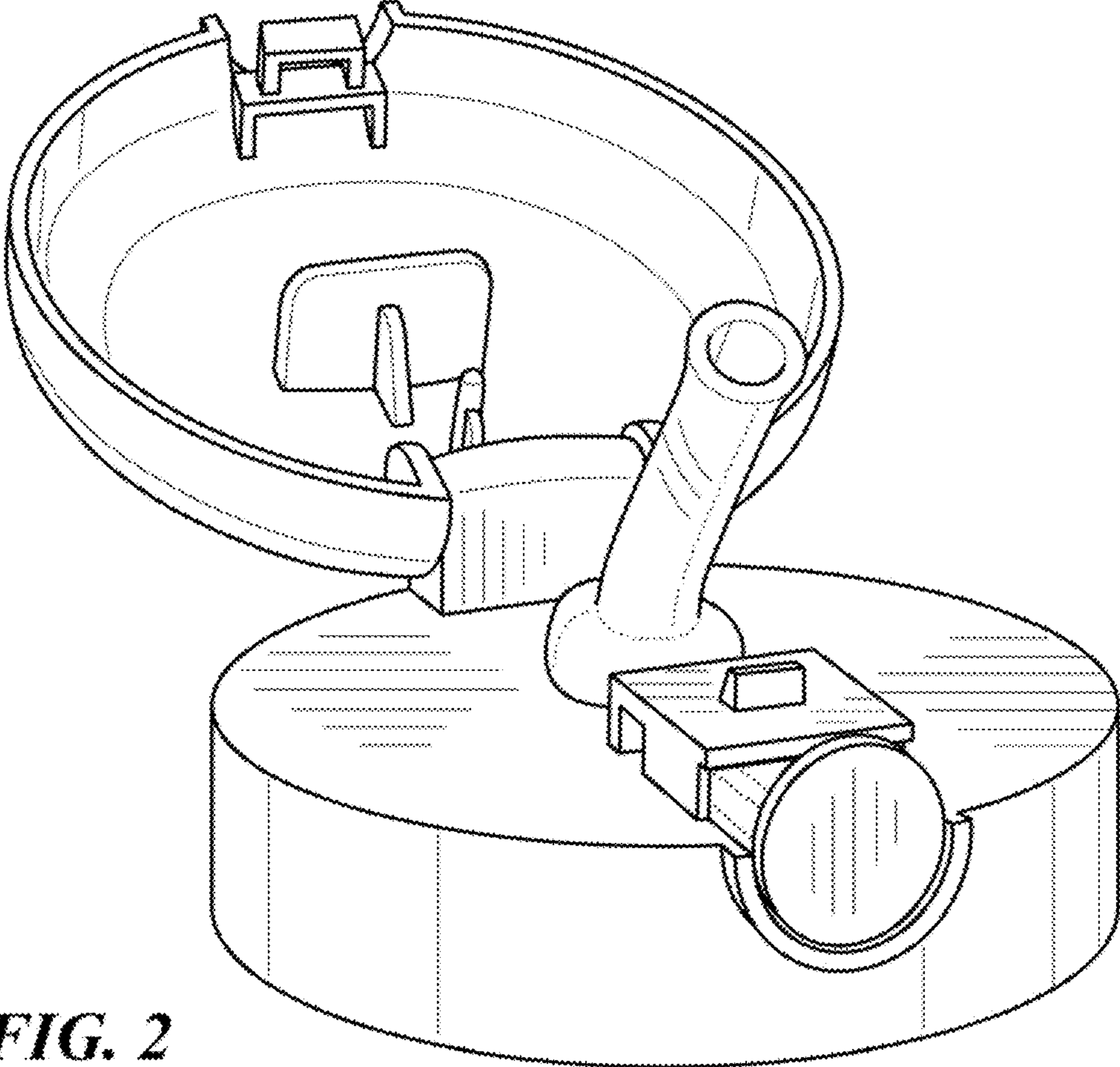


FIG. 2

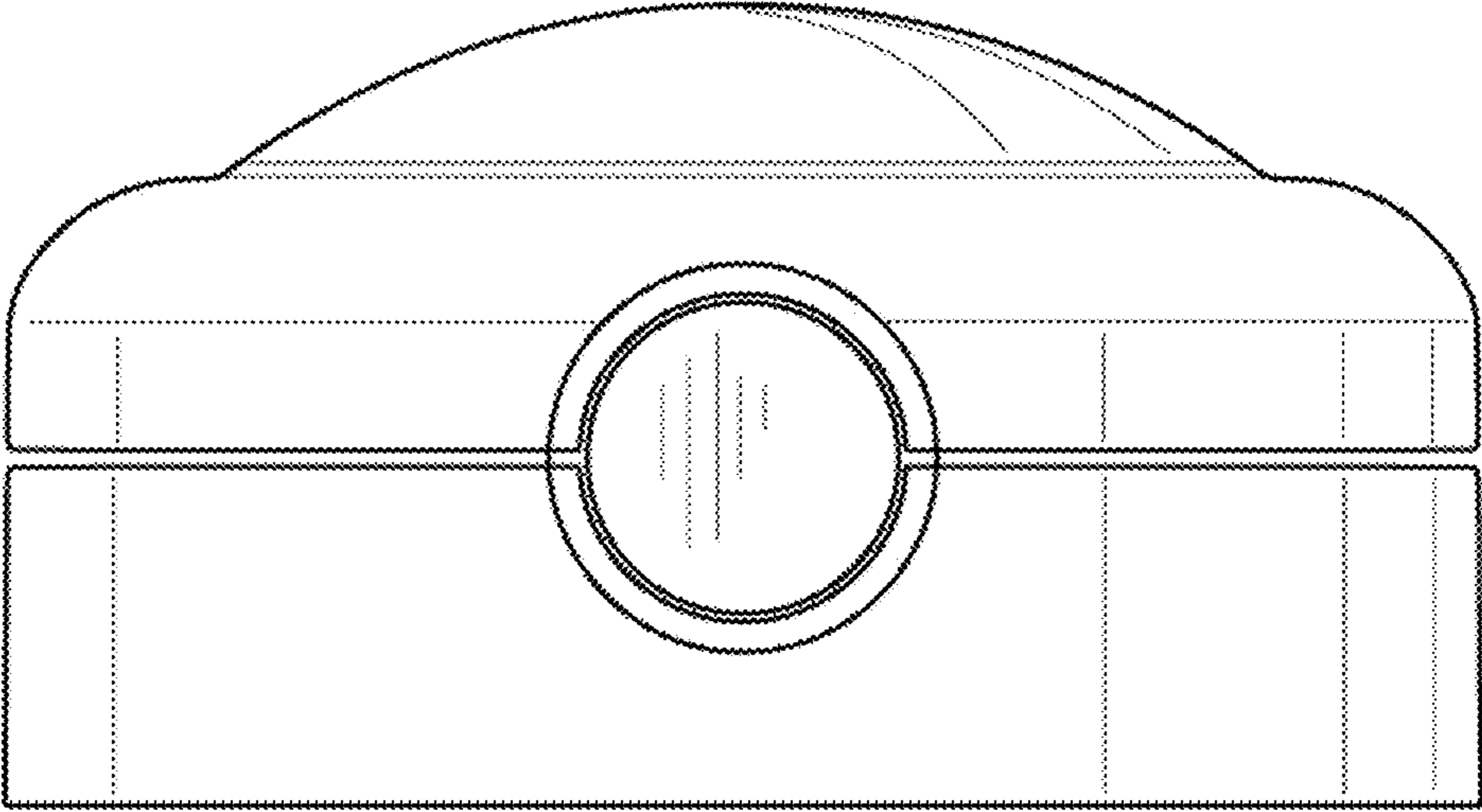


FIG. 3

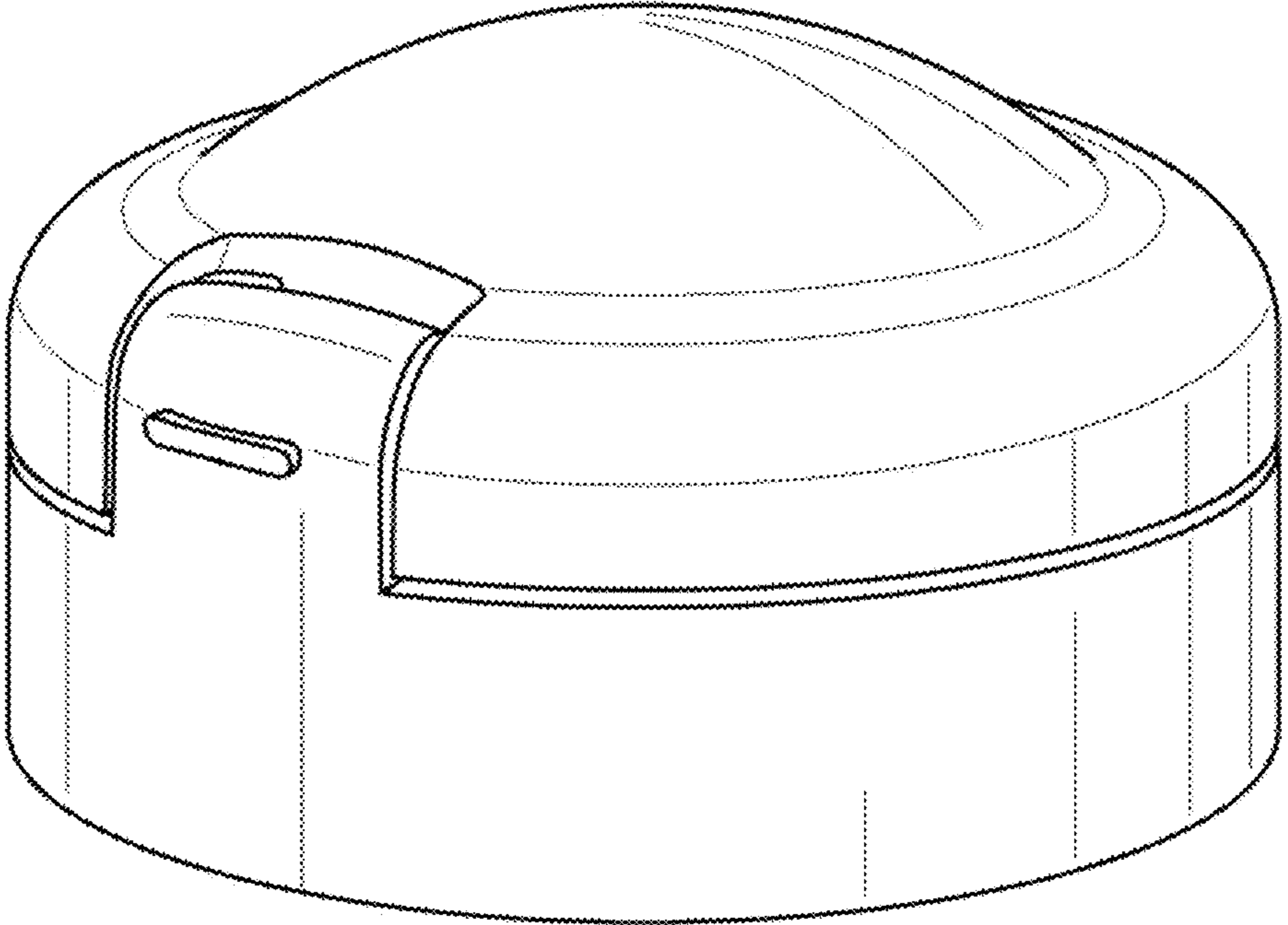


FIG. 4

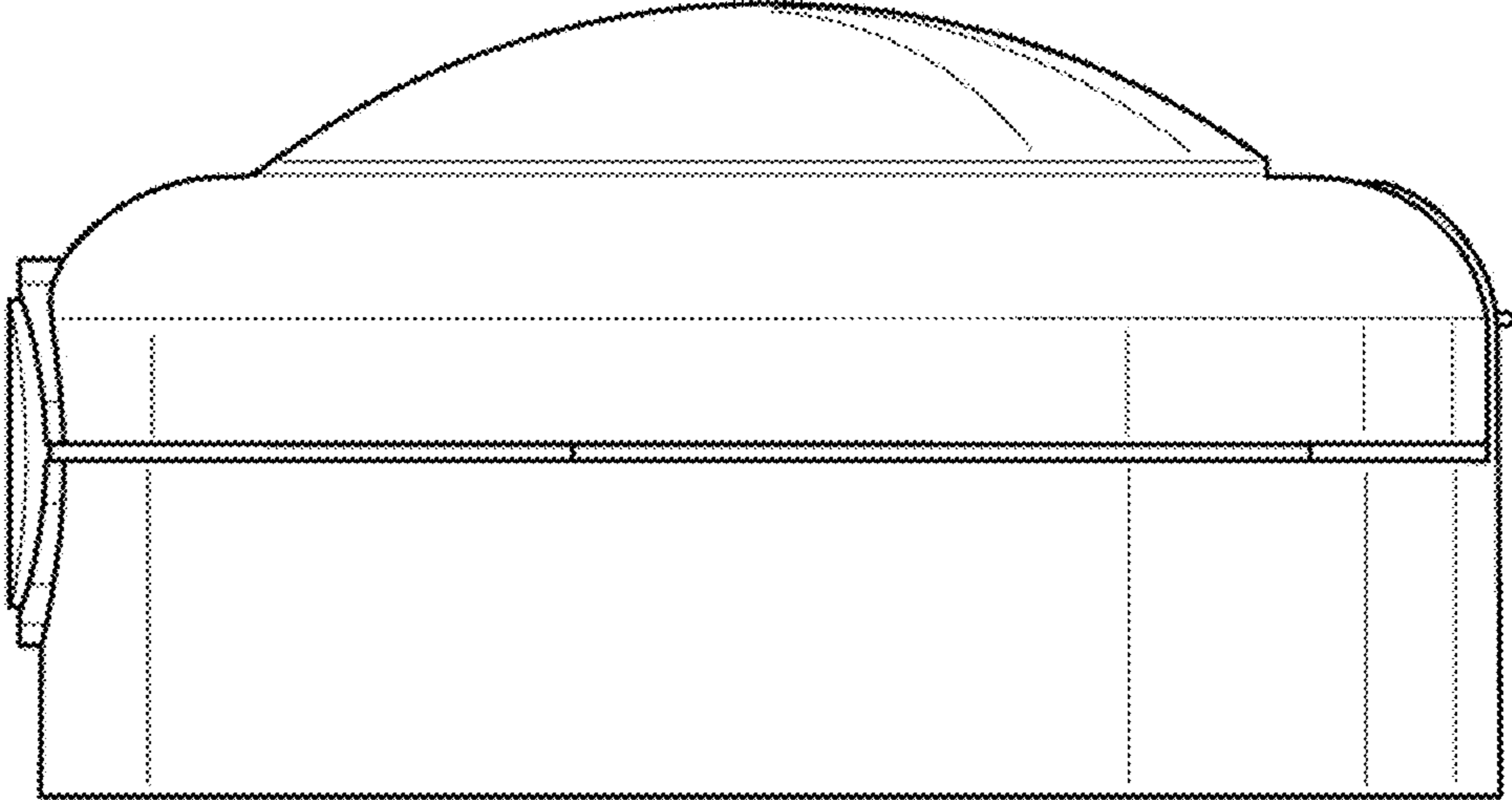


FIG. 5

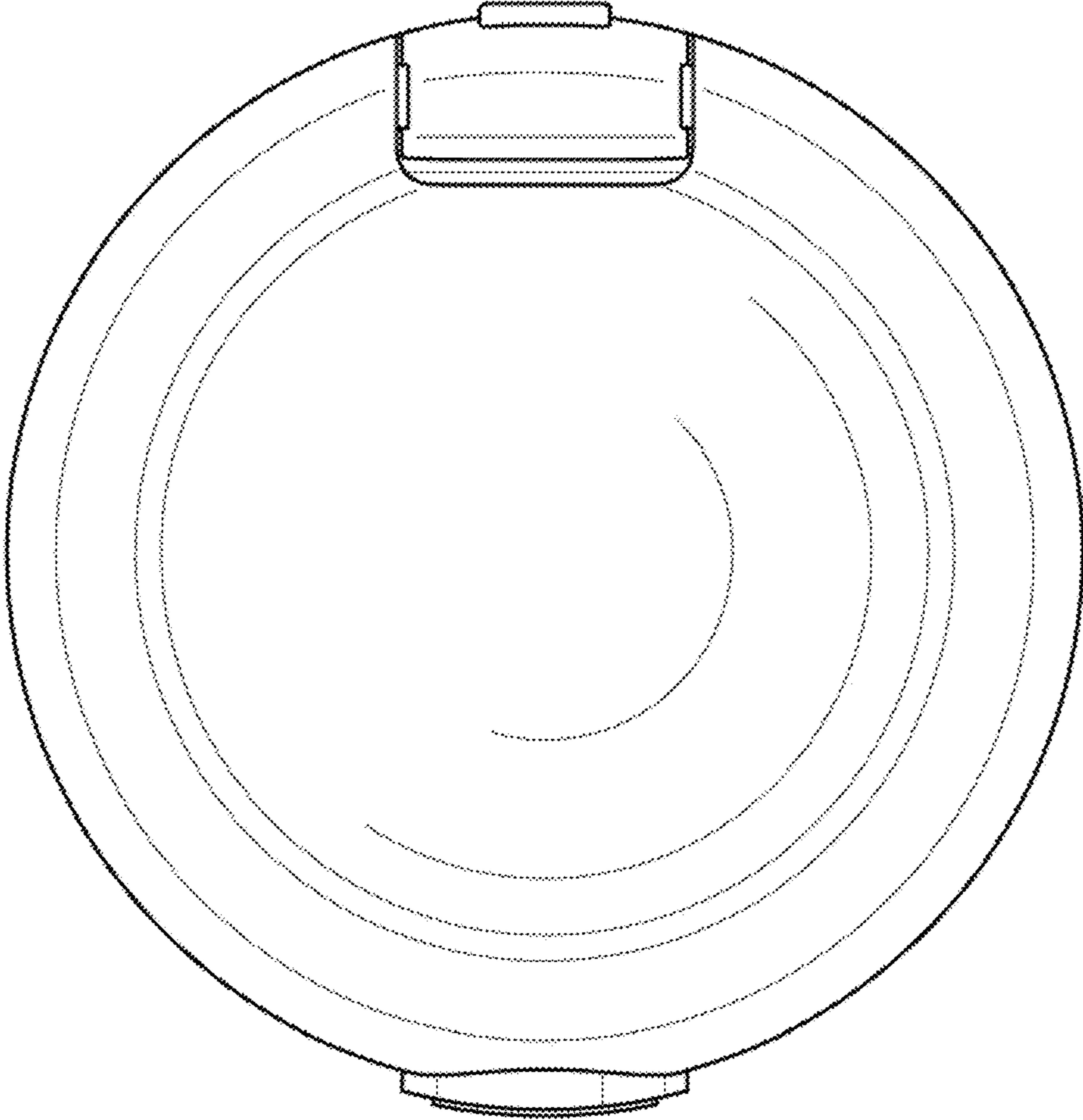


FIG. 6

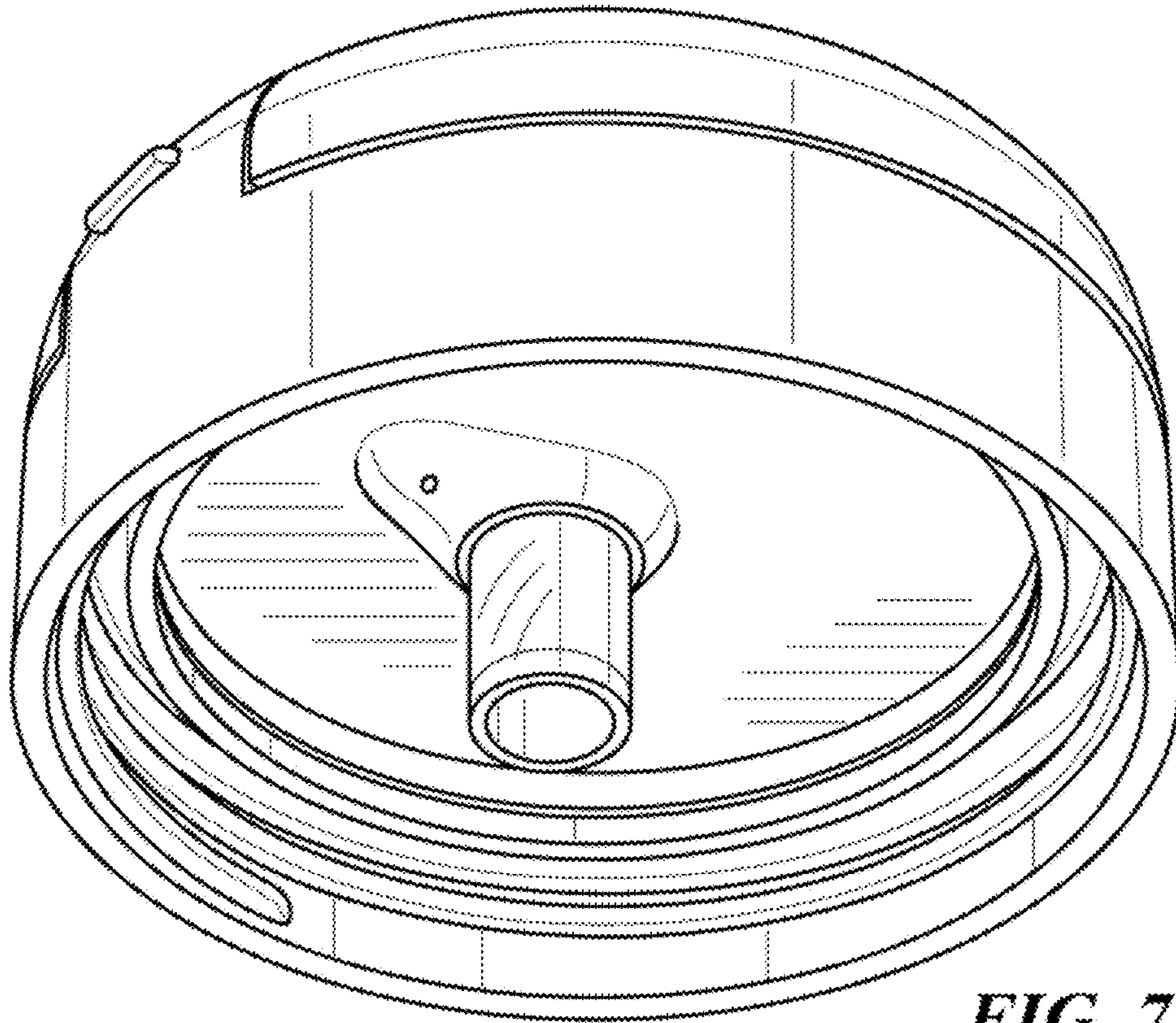


FIG. 7

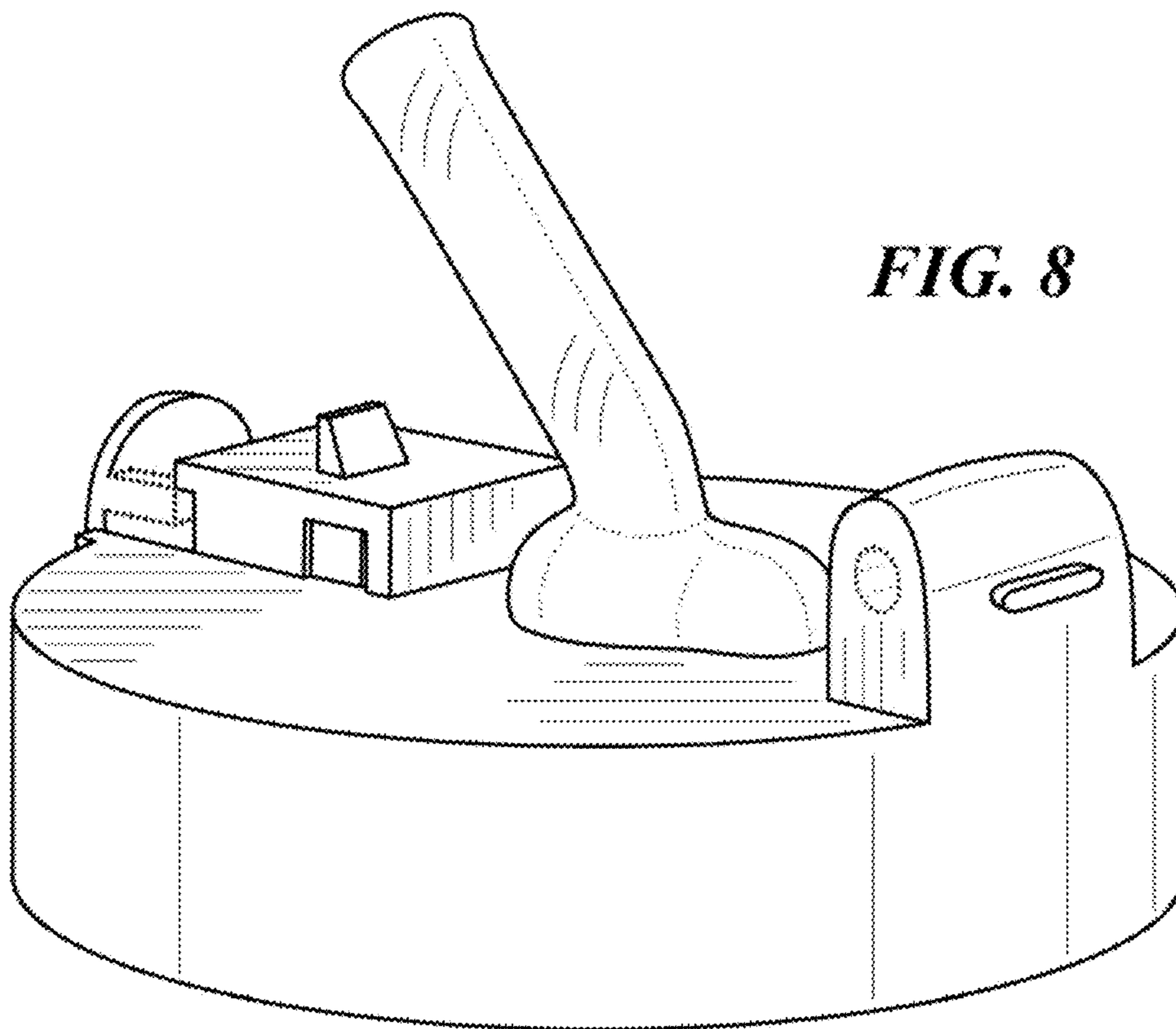


FIG. 8