



US00D889193S

(12) **United States Design Patent** (10) **Patent No.:** **US D889,193 S**
Alles (45) **Date of Patent:** **** Jul. 7, 2020**

(54) **CONTAINER LID**

(71) Applicant: **Matthew Alles**, Kewaskum, WI (US)

(72) Inventor: **Matthew Alles**, Kewaskum, WI (US)

(**) Term: **15 Years**

(21) Appl. No.: **29/633,819**

(22) Filed: **Jan. 16, 2018**

(51) **LOC (12) Cl.** **07-01**

(52) **U.S. Cl.**

USPC **D7/392.1**

(58) **Field of Classification Search**

USPC D7/391, 392, 392.1, 397, 510, 511, 542,
D7/543, 602, 605, 629; D9/435, 443,
D9/447, 449, 454

CPC B65D 43/0225

See application file for complete search history.

&slotNum=3&imprToken=0uyfEdbersUcZWBySo2gMQ&adType=smart&adMode=auto&adFormat=strip&impressionTimestamp=1581284616187.*

“BlenderBottle Classic Shaker Bottle”. Found online Oct. 26, 2016 at amazon.com. Page dated Jul. 19, 2004. Retrieved from <https://www.amazon.com/BlenderBottle-Classic-Shaker-Bottle-28-ounce/dp/B0018G4ZEW>.*

“reCAP Mason Jars Pour Cap”. Found online Aug. 18, 2015 at amazon.com. Reference dated Mar. 26, 2013. Retrieved from http://www.amazon.com/reCAP-Mason-Jars-Pour-Cap/dp/B00AYPU4UM/ref=cm_cr_pr_product_top?ie=UTF8.*

* cited by examiner

Primary Examiner — Kendra Leslie Hamilton
(74) *Attorney, Agent, or Firm* — Brannen Law Office, LLC

(57) **CLAIM**

The ornamental design for a container lid, as shown and described.

DESCRIPTION

(56) **References Cited**

U.S. PATENT DOCUMENTS

| | | | | |
|-------------------|---------|----------------|-------|--------------|
| D418,364 S * | 1/2000 | Demore | | D7/392 |
| D682,016 S * | 5/2013 | Knight | | D9/443 |
| D702,489 S * | 4/2014 | Steel | | D9/449 |
| D747,624 S * | 1/2016 | Walker | | D7/392.1 |
| D752,381 S * | 3/2016 | Wahl | | D7/392.1 |
| D755,562 S * | 5/2016 | Lindsay | | D7/392.1 |
| D820,038 S * | 6/2018 | Sorensen | | D9/449 |
| D826,631 S * | 8/2018 | Baron | | D9/454 |
| D854,880 S * | 7/2019 | Meyers | | D7/392.1 |
| D869,230 S * | 12/2019 | Hao | | D9/449 |
| 2018/0170630 A1 * | 6/2018 | Ayriss | | B65D 47/0857 |
| 2019/0112112 A1 * | 4/2019 | Choltco-Devlin | | B65D 43/0225 |
| 2019/0135506 A1 * | 5/2019 | Merrigan | | B65D 51/1616 |

OTHER PUBLICATIONS

“County Line Kitchen: Cold Brew Mason Jar Coffee Maker”. Found online Feb. 9, 2020 at amazon.com. Reference dated Nov. 6, 2017. Retrieved from <https://www.amazon.com/...e-kitchen%2F>

FIG. 1 is a top, rear, left perspective view of a first embodiment of a container lid, showing my new design;

FIG. 2 is a top, rear, right perspective view thereof;

FIG. 3 is a front elevation view thereof;

FIG. 4 is a rear elevation view thereof;

FIG. 5 is a left side elevation view thereof;

FIG. 6 is a right side elevation view thereof;

FIG. 7 is a top plan view thereof;

FIG. 8 is a bottom plan view thereof;

FIG. 9 is a left side elevation view of the container lid of FIG. 1, shown in a partially open configuration for clarity of disclosure;

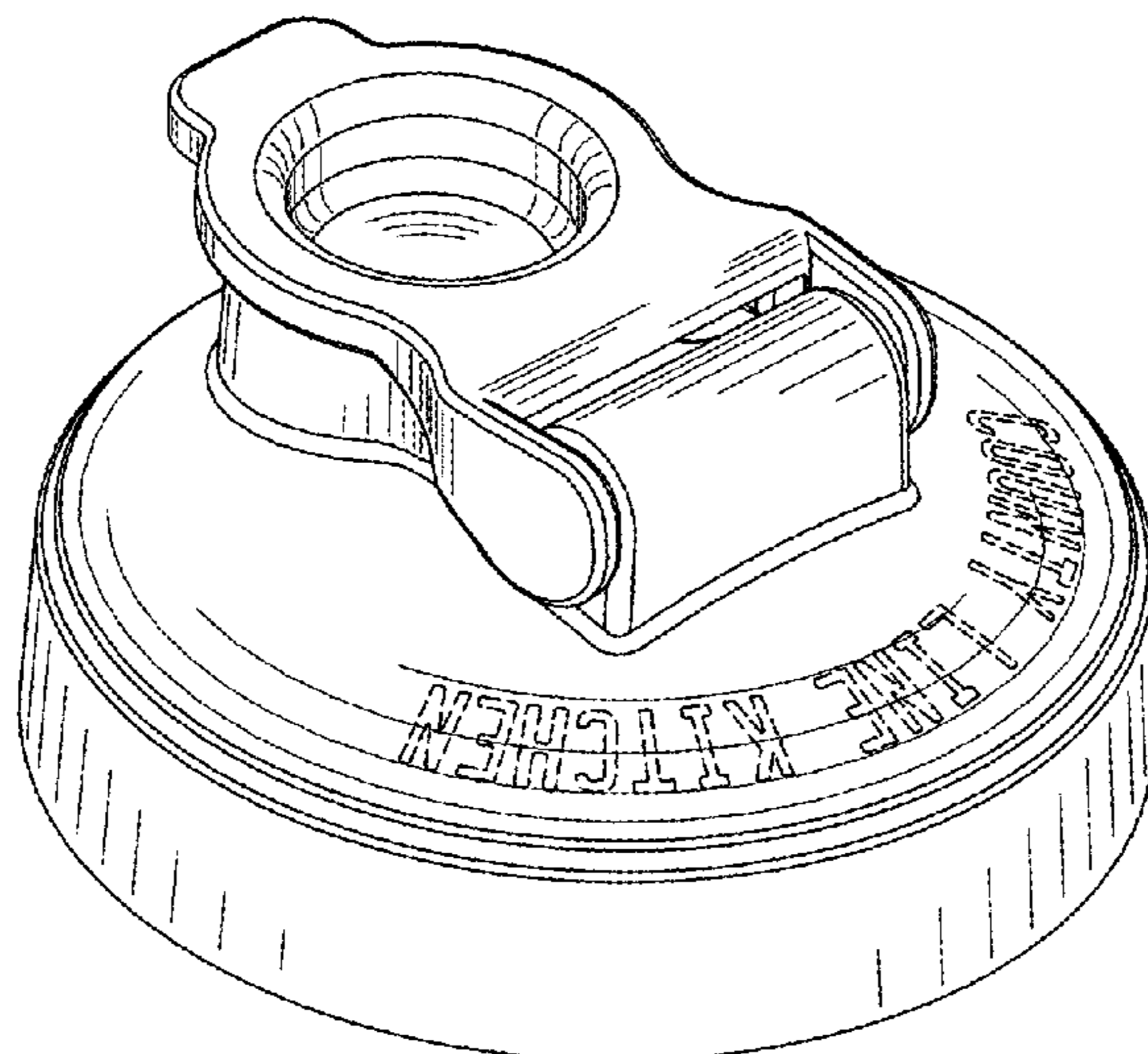
FIG. 10 is a top plan view of the container lid of FIG. 1, shown in a fully open configuration for clarity of disclosure;

FIG. 11 is a top, rear, left perspective view of a second embodiment of a container lid; and,

FIG. 12 is a top plan view thereof.

The broken lines in the drawings depict portions of the container lid that form no part of the claimed design.

1 Claim, 12 Drawing Sheets



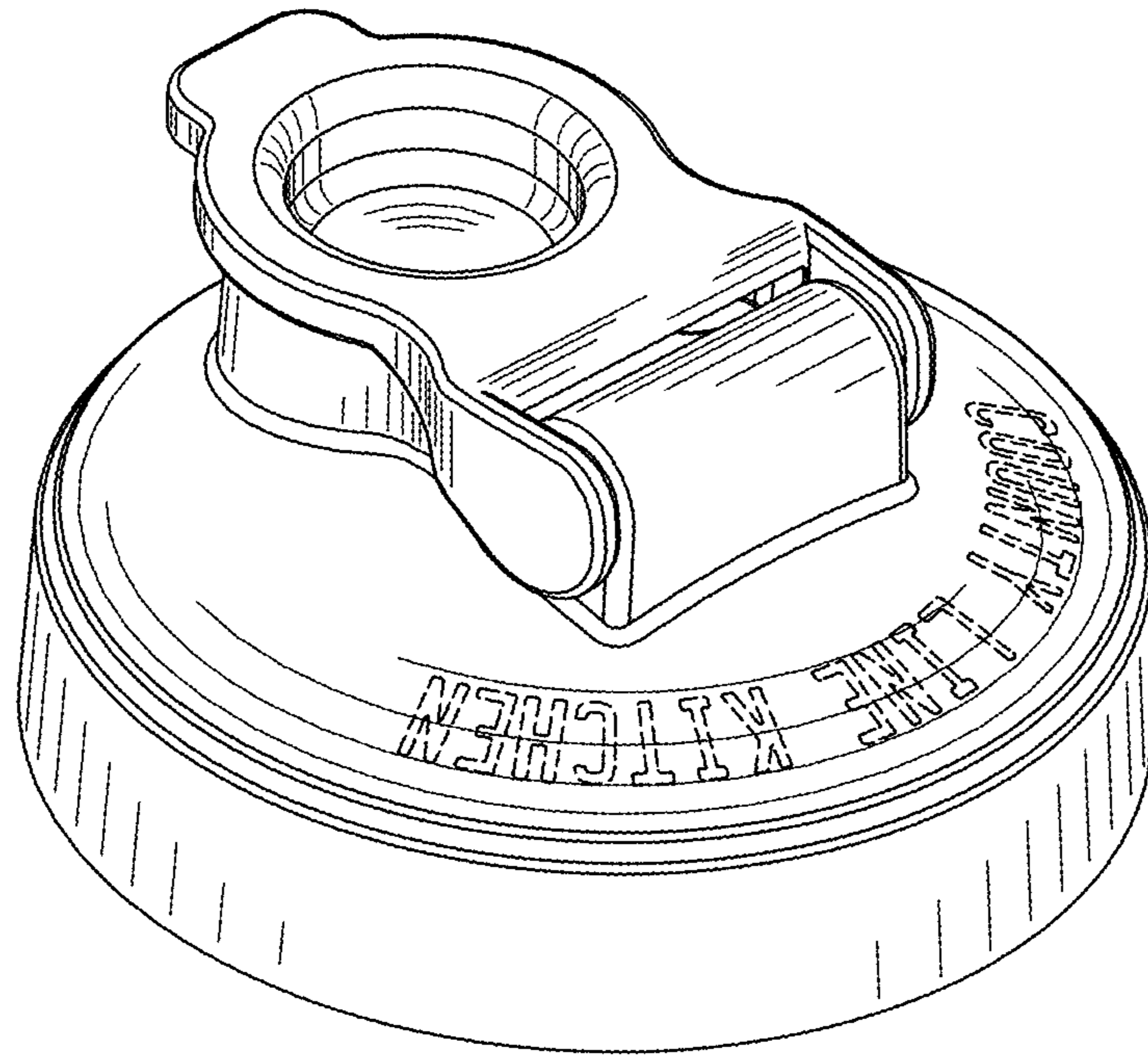


Fig. 1

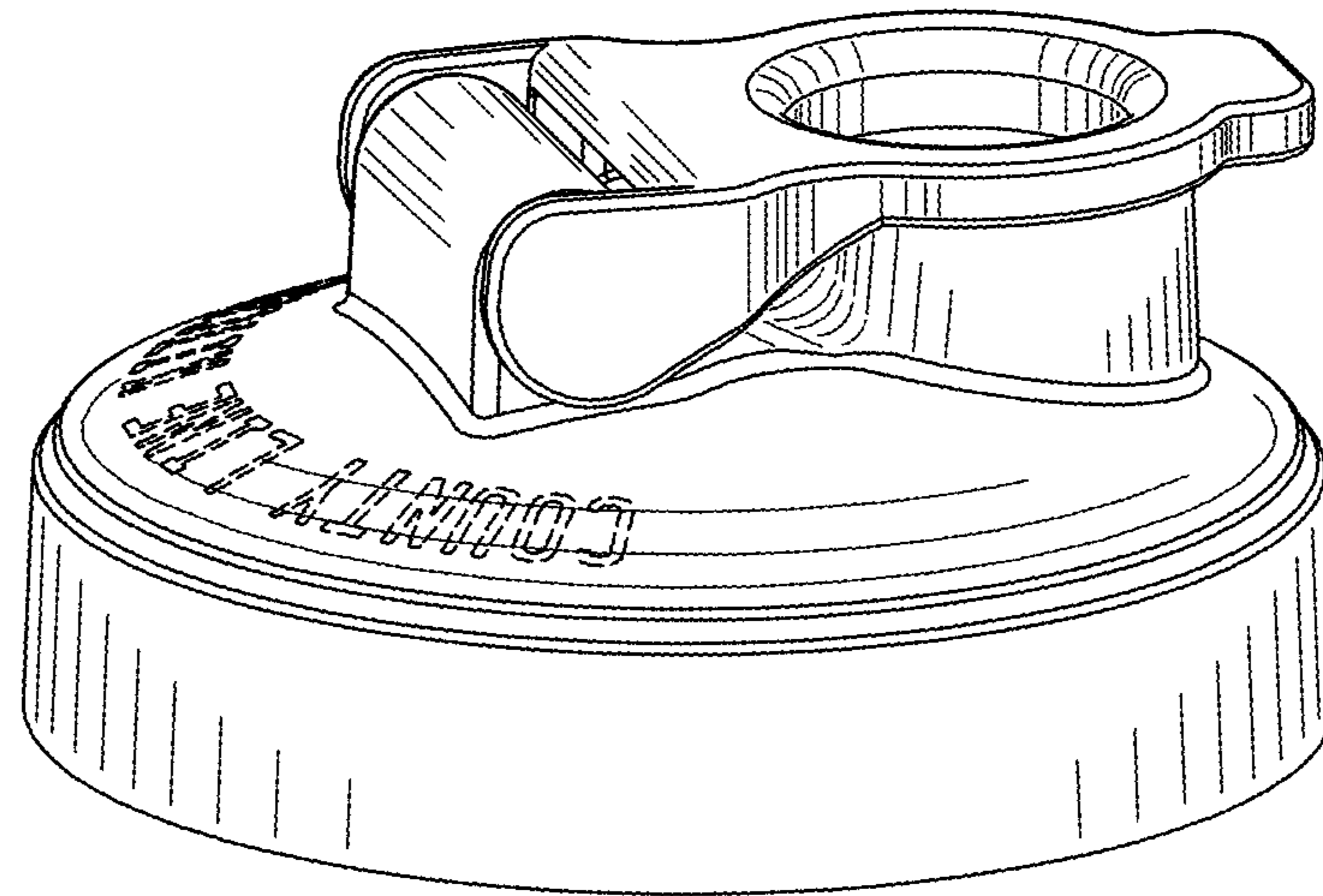


Fig. 2

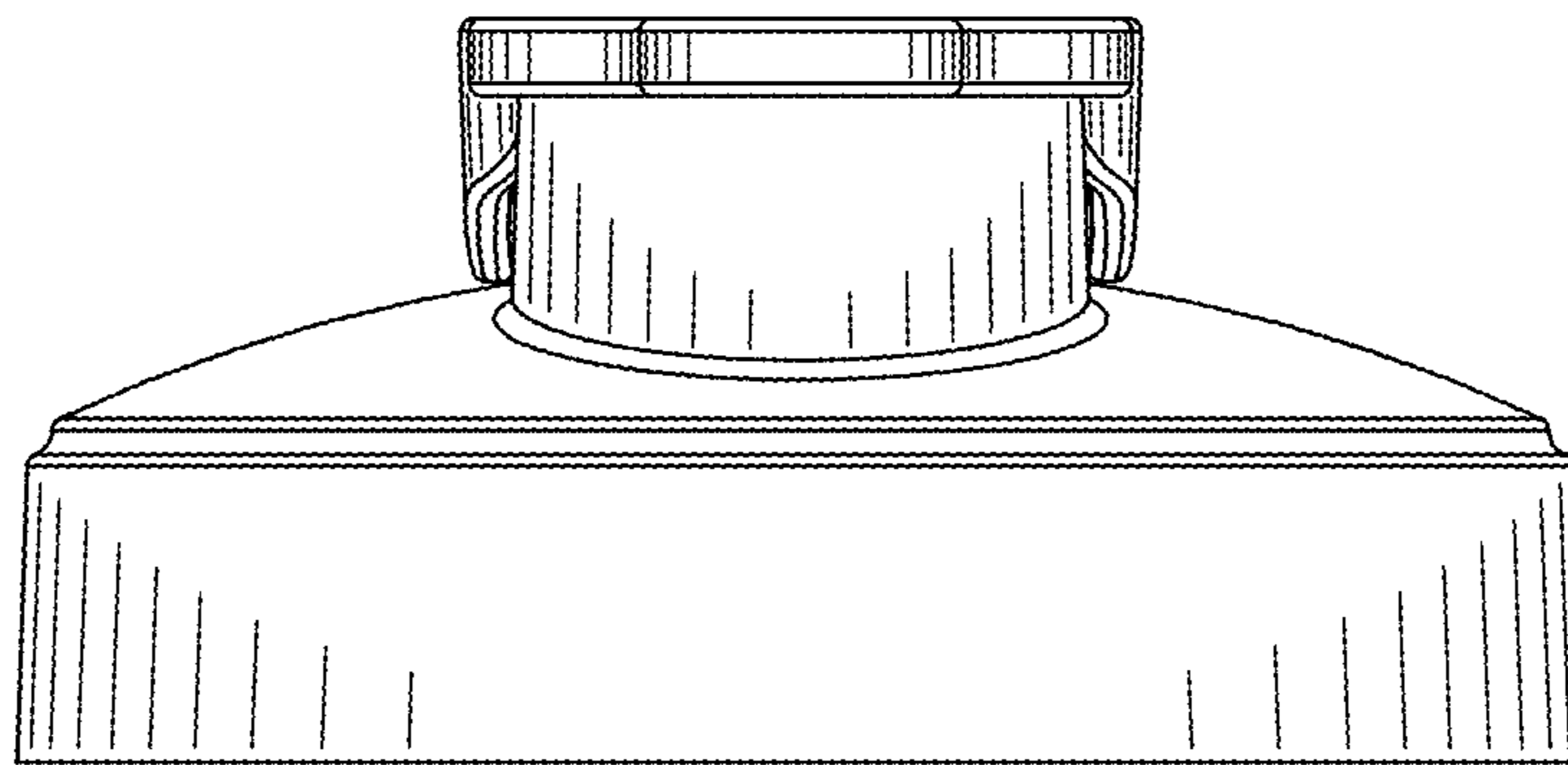


Fig. 3

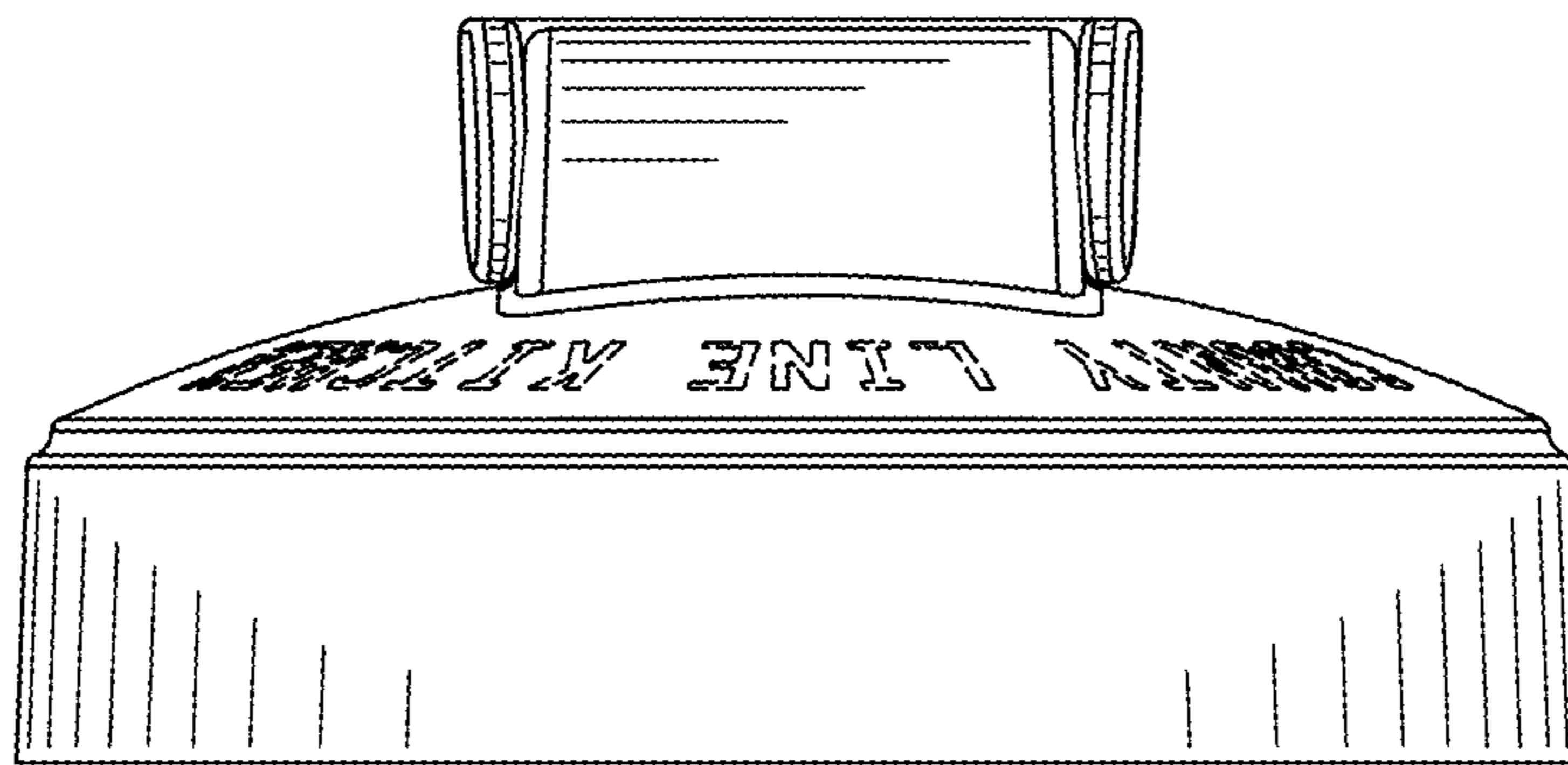


Fig. 4

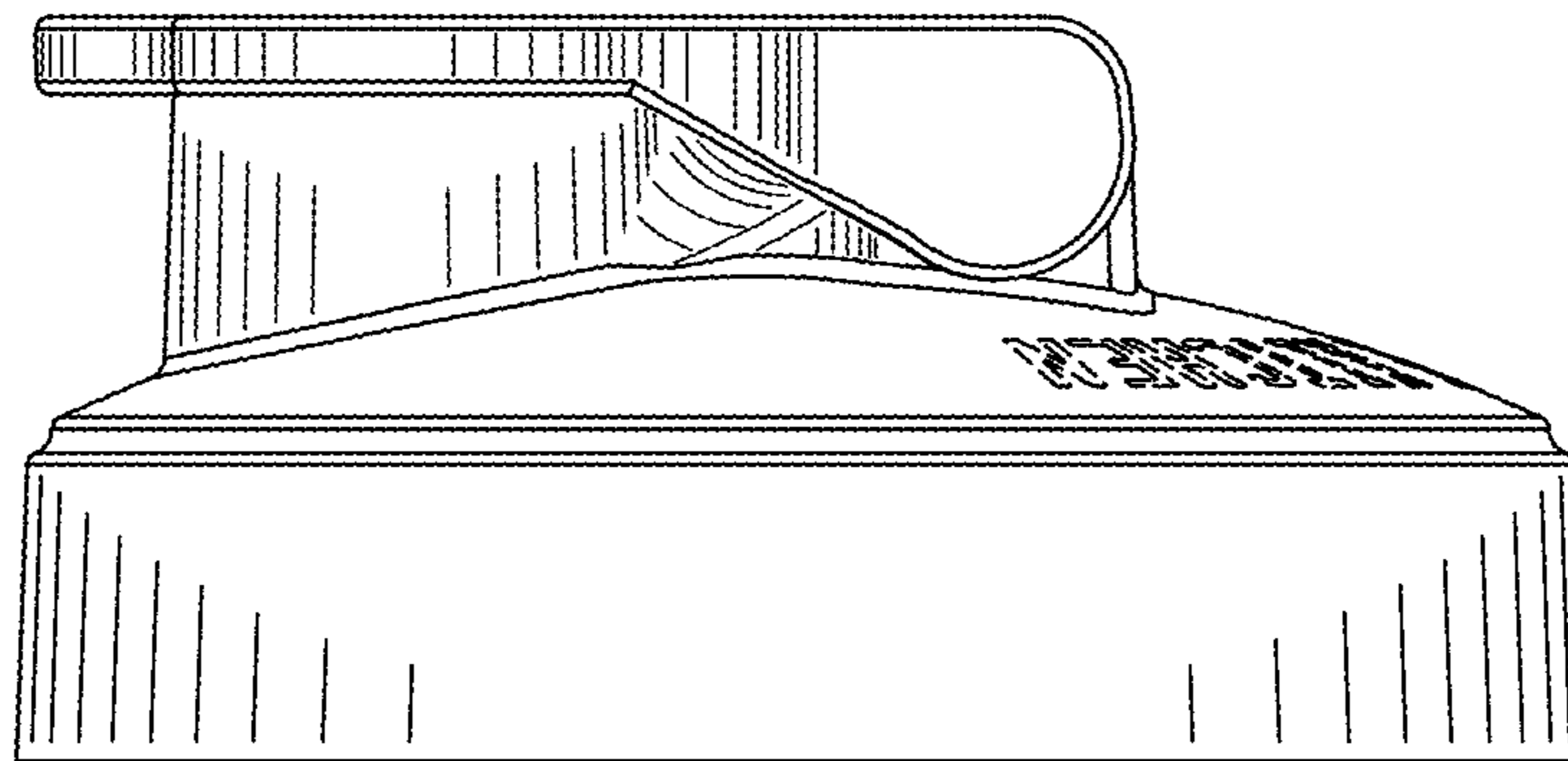


Fig. 5

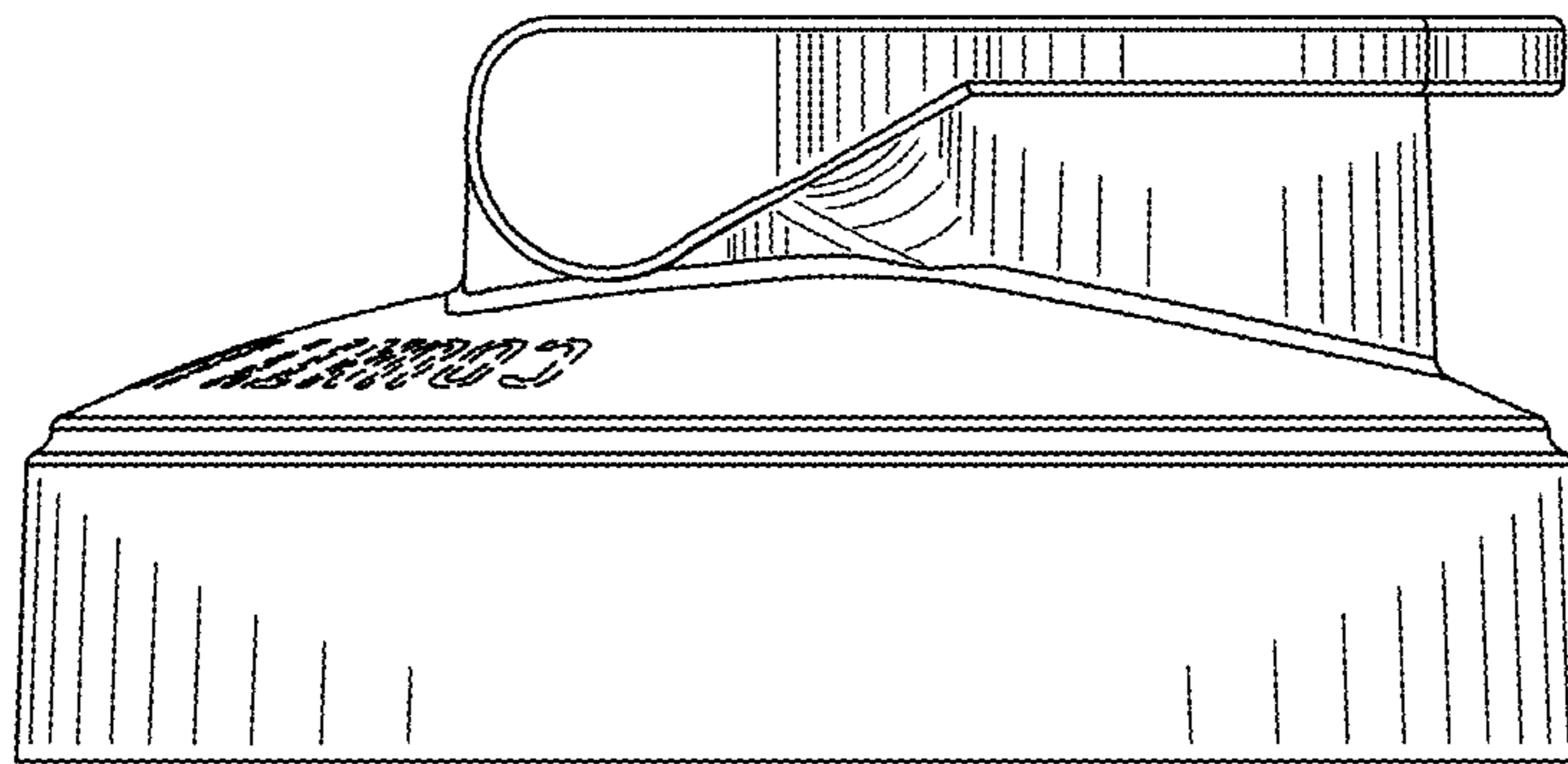


Fig. 6

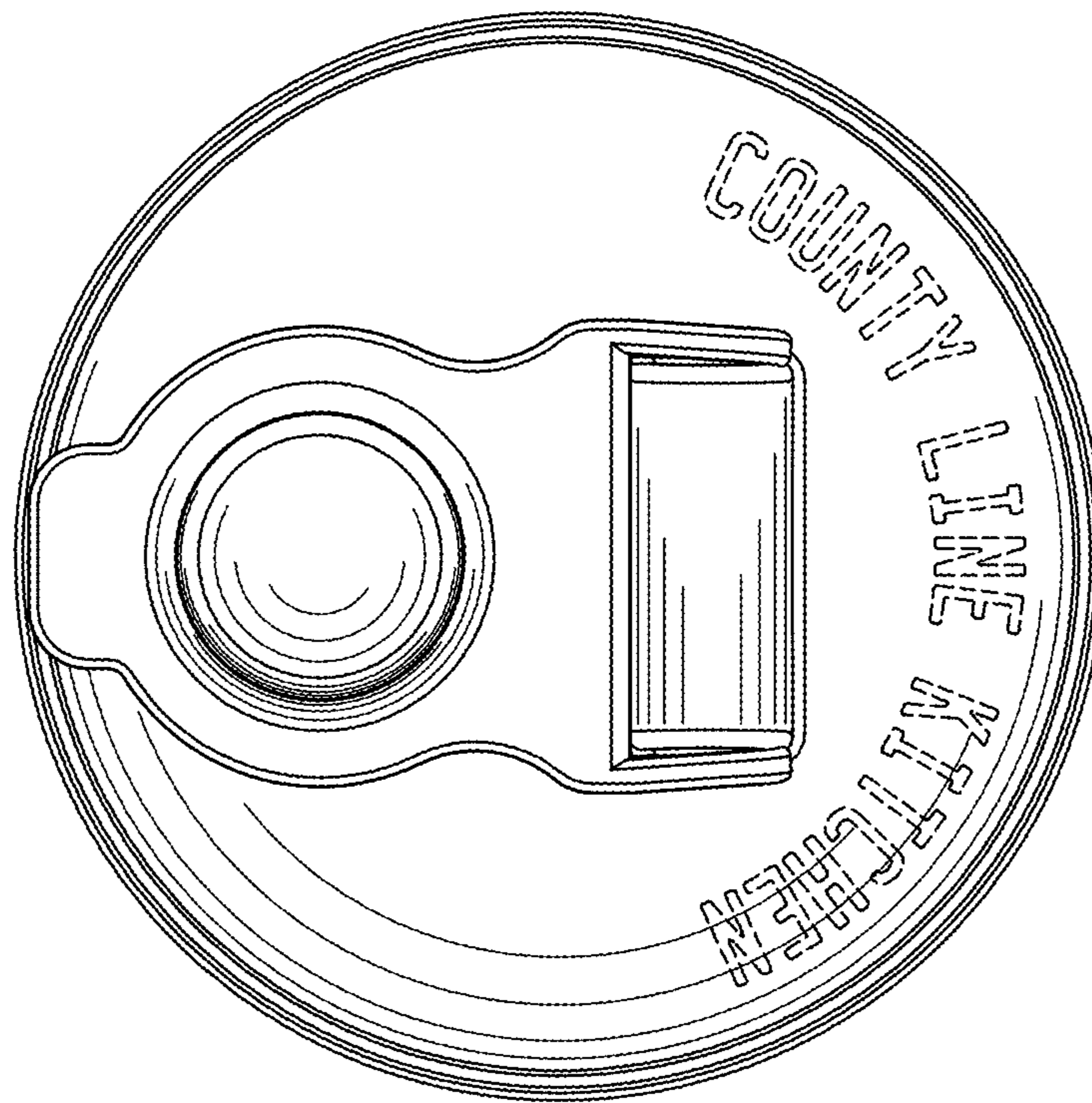


Fig. 7

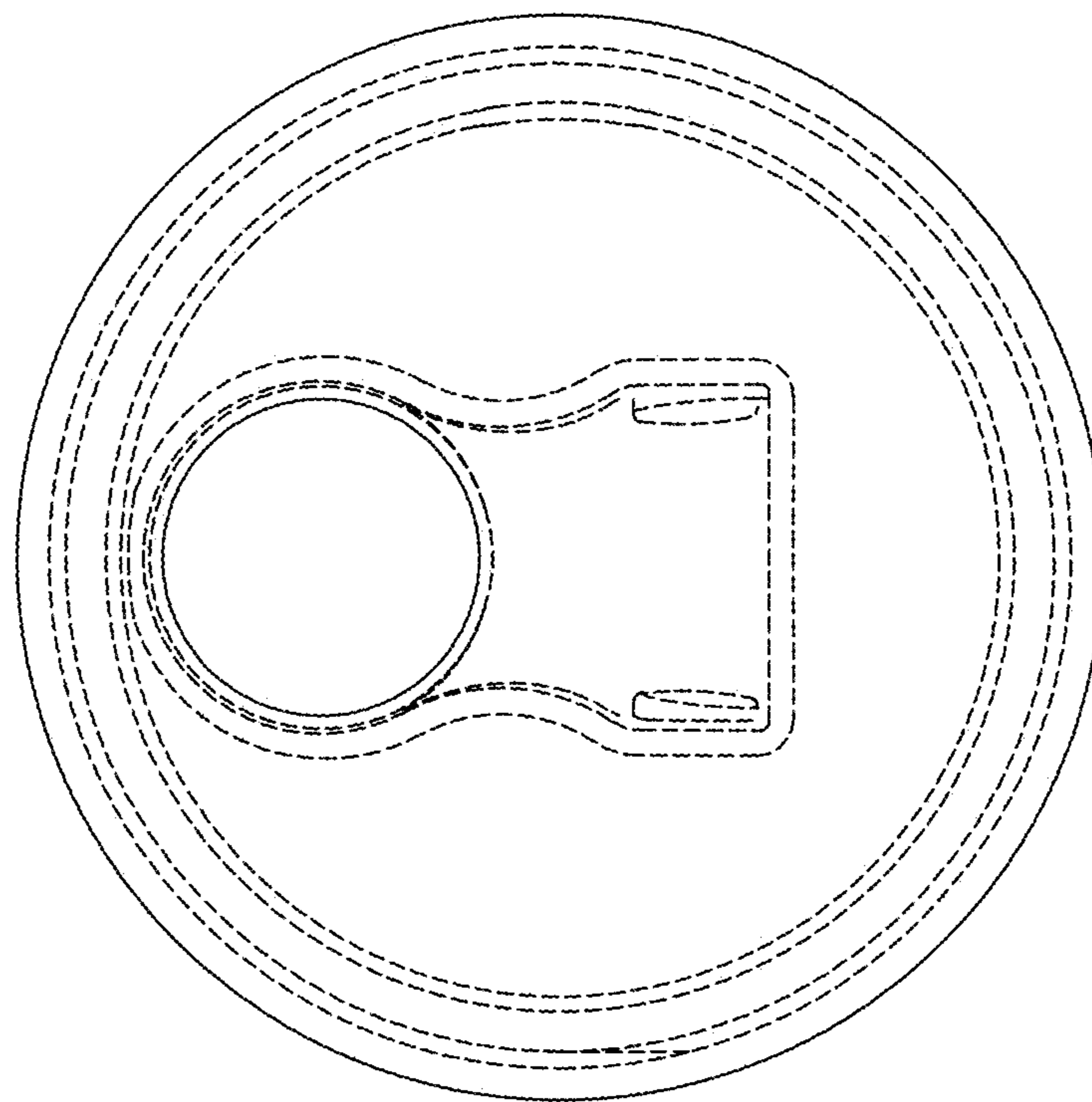


Fig. 8

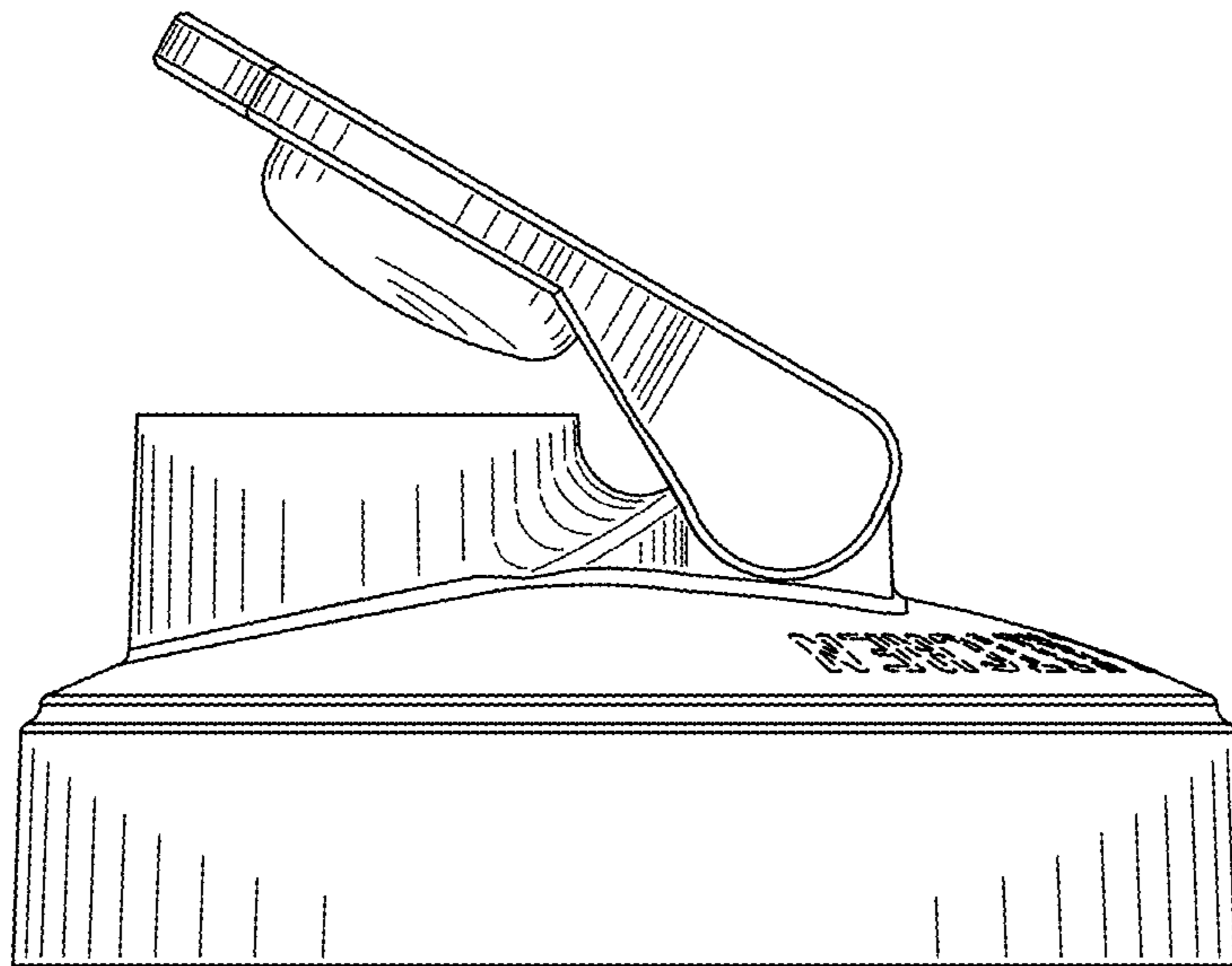


Fig. 9

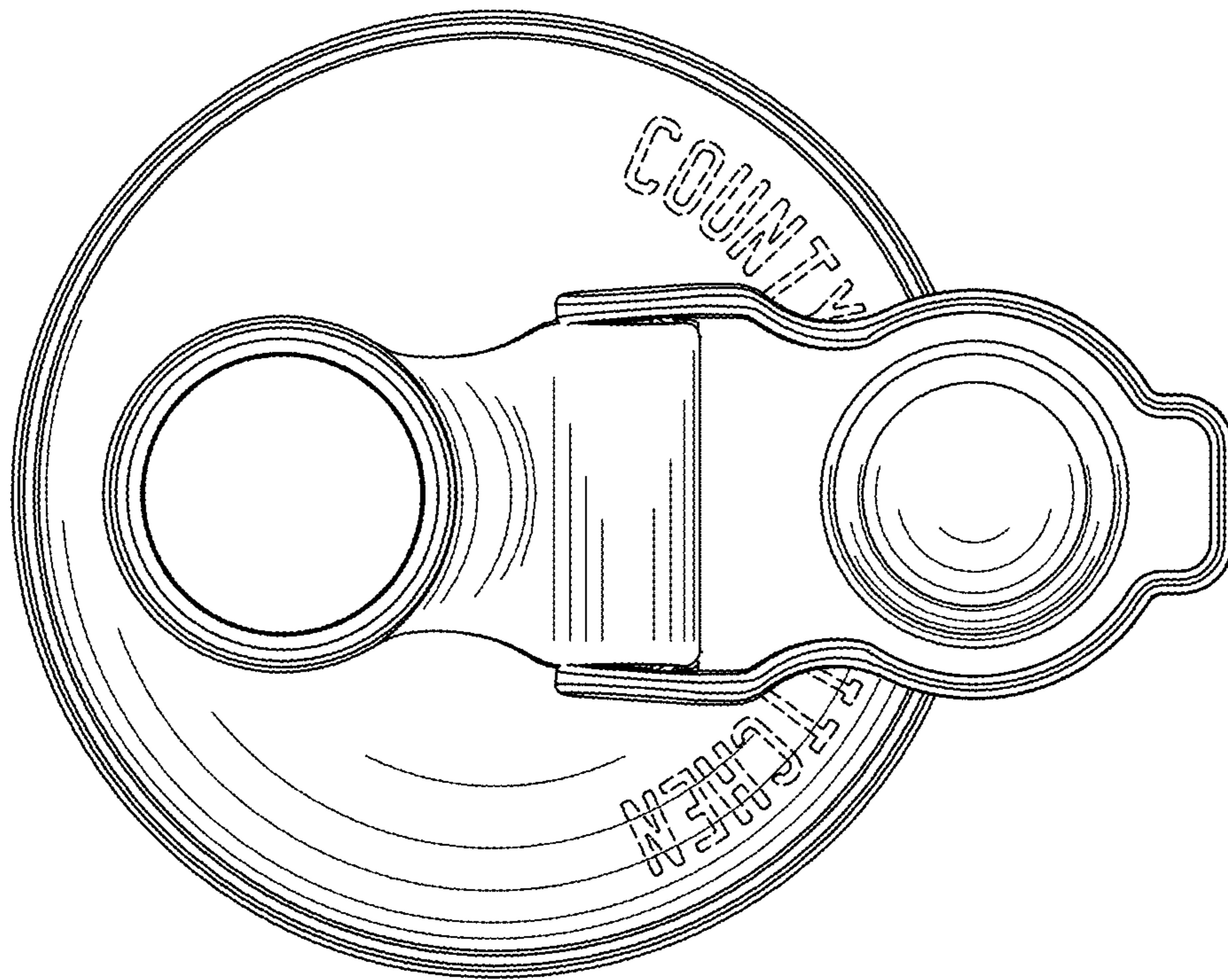


Fig. 10

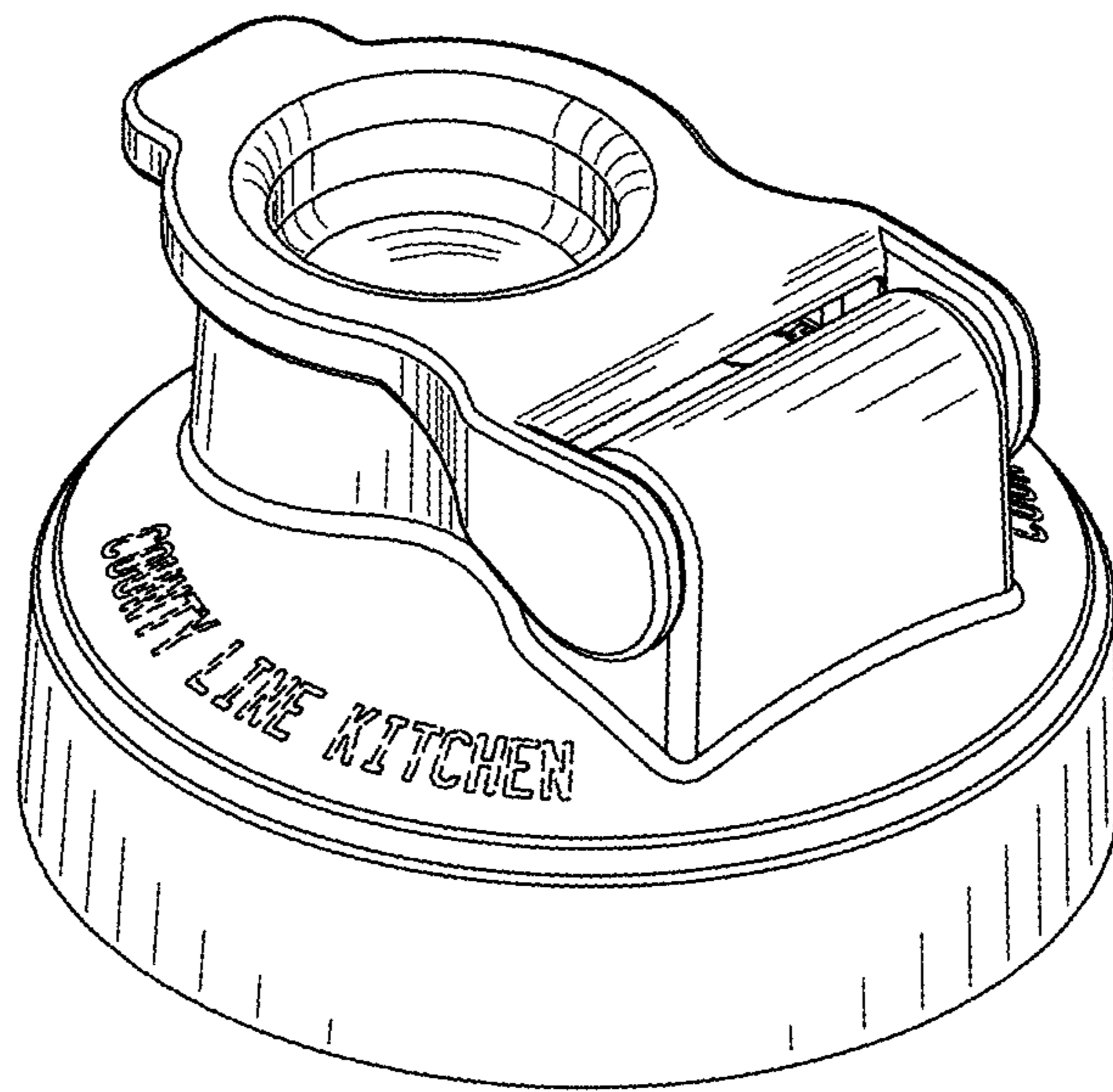


Fig. 11

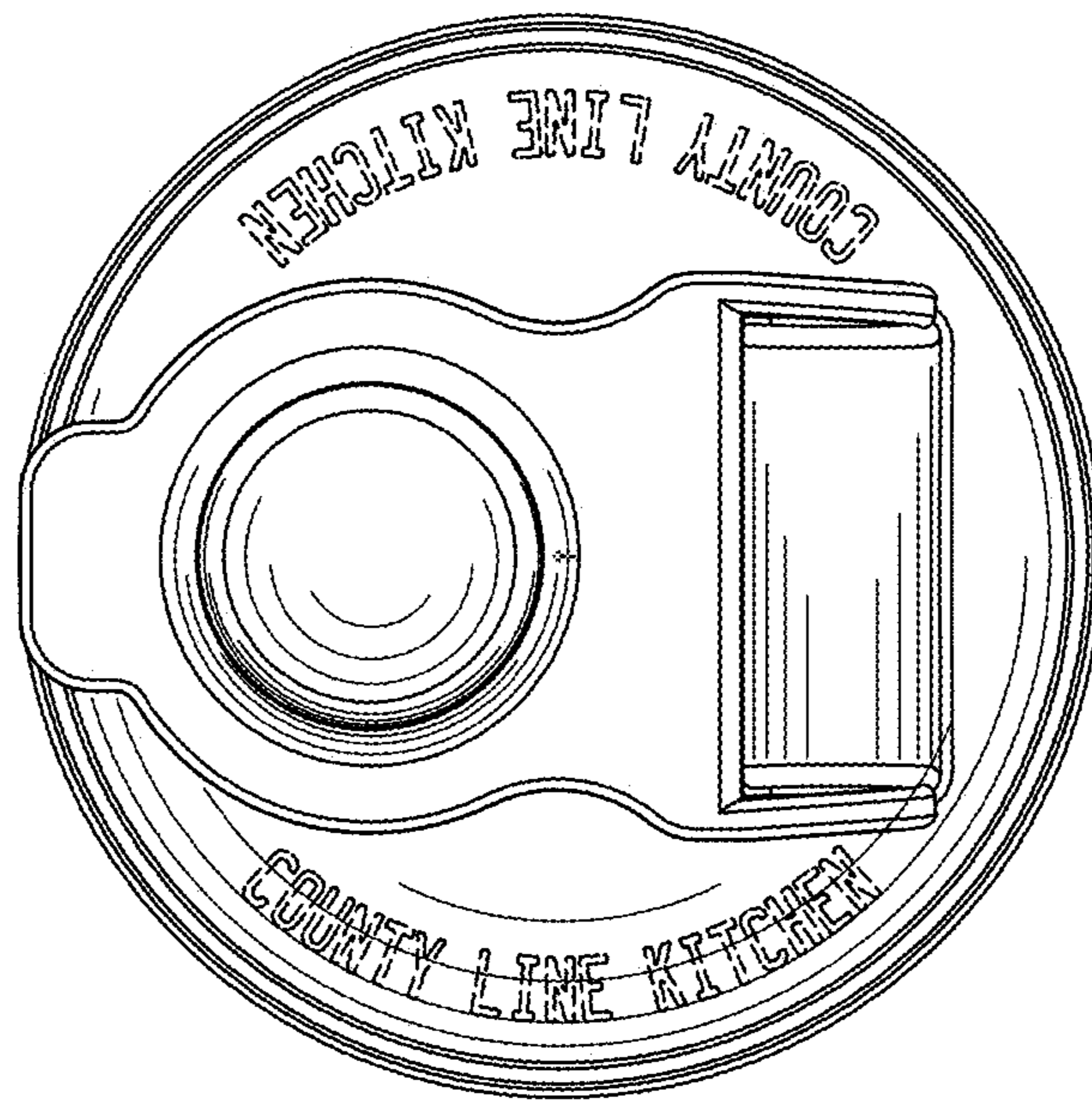


Fig. 12