



US00D889192S

(12) **United States Design Patent**
Finnance

(10) **Patent No.:** **US D889,192 S**
(45) **Date of Patent:** **** Jul. 7, 2020**

(54) **BLENDER**

(71) Applicant: **Capbran Holdings, LLC**, Los Angeles, CA (US)

(72) Inventor: **Robert Finnance**, Los Angeles, CA (US)

(73) Assignee: **Capbran Holdings, LLC**, Los Angeles, CA (US)

(**) Term: **15 Years**

(21) Appl. No.: **29/687,737**

(22) Filed: **Apr. 15, 2019**

(51) **LOC (12) Cl.** **31-00**

(52) **U.S. Cl.**
USPC **D7/386; D7/376; D7/378; D7/412; D7/413**

(58) **Field of Classification Search**

USPC **D7/326, 358, 372, 376-386, 412-413, D7/536, 602, 629, 665-666, 669, 679, D7/693-694**

(Continued)

(56) **References Cited**

U.S. PATENT DOCUMENTS

D423,872 S * 5/2000 Blaise D7/378
D487,668 S * 3/2004 Sands D7/378

(Continued)

Primary Examiner — Ricky Pham

(74) *Attorney, Agent, or Firm* — Trojan Law Offices

(57) **CLAIM**

The ornamental design for a blender, as shown and described.

DESCRIPTION

FIG. 1 is a top front perspective view of a combined blender base, blade holder and blade, in accordance with an embodiment of the present invention;

FIG. 2 is a bottom perspective view of the combined blender base, blade holder and blade of FIG. 1;

FIG. 3 is a front view of the combined blender base, blade holder and a blade of FIG. 1;

FIG. 4 is a rear view of the combined blender base, blade holder and a blade of FIG. 1;

FIG. 5 is a left side view of the combined blender base, blade holder and a blade of FIG. 1;

FIG. 6 is a right side view of the combined blender base, blade holder and a blade of FIG. 1;

FIG. 7 is a top view of the combined blender base, blade holder and a blade of FIG. 1;

FIG. 8 is a bottom view of the combined blender base, blade holder and a blade of FIG. 1;

FIG. 9 is a front perspective view of the blender base of FIG. 1;

FIG. 10 is a bottom perspective view of the blender base of FIG. 1;

FIG. 11 is a front view of the blender base of FIG. 1;

FIG. 12 is a rear view of the blender base of FIG. 1;

FIG. 13 is a left side view of the blender base of FIG. 1;

FIG. 14 is a right side view of the blender base of FIG. 1;

FIG. 15 is a top view of the blender base of FIG. 1;

FIG. 16 is a bottom view of the blender base of FIG. 1;

FIG. 17 is a front perspective view of the blade holder and blade of FIG. 1;

FIG. 18 is a bottom perspective view of the blade holder and blade of FIG. 1;

FIG. 19 is a left side view of the blade holder and blade of FIG. 1;

FIG. 20 is a right side view of the blade holder and blade of FIG. 1;

FIG. 21 is a front view of the blade holder and blade of FIG. 1;

FIG. 22 is a rear view of the blade holder and blade of FIG. 1;

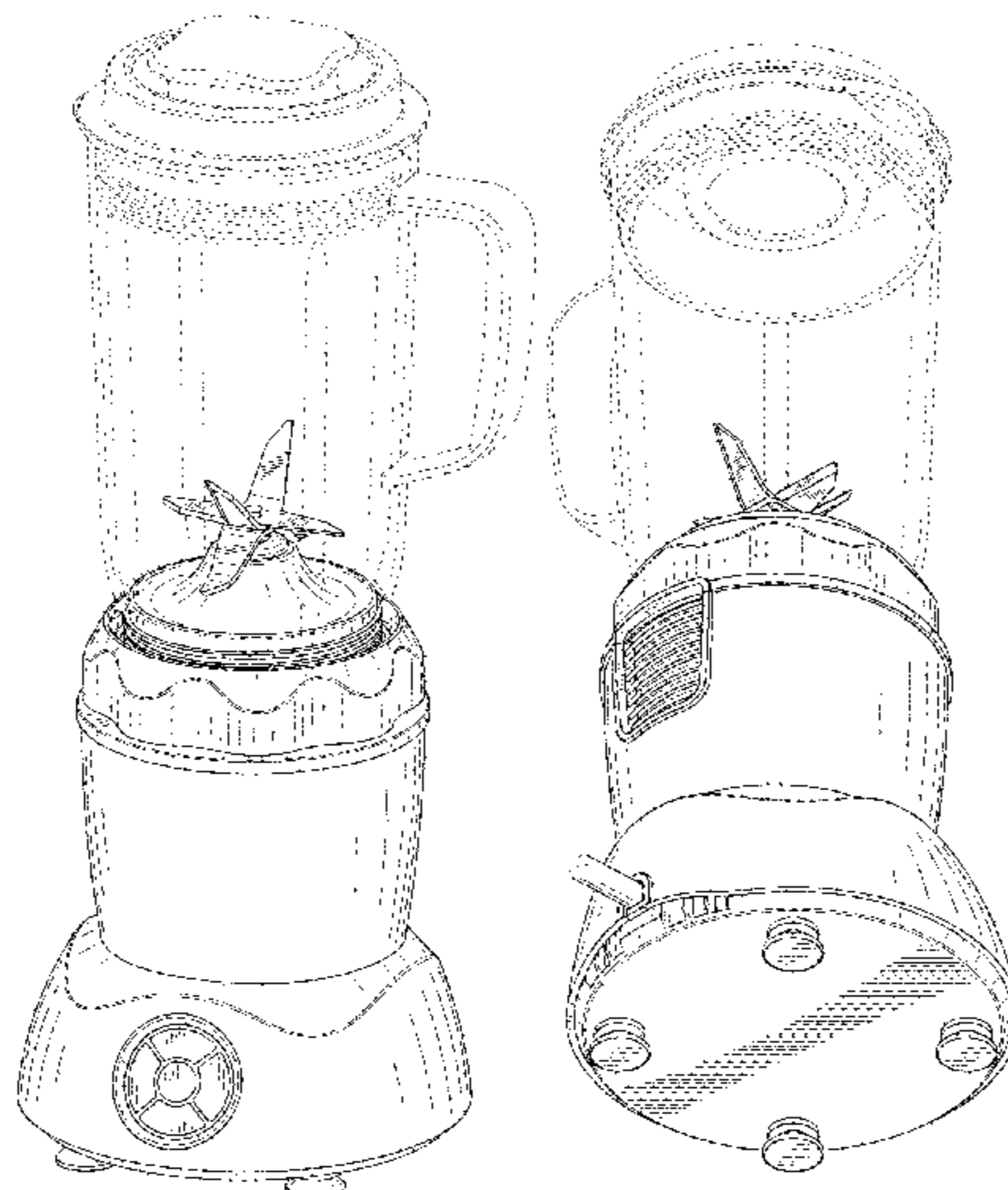
FIG. 23 is a top view of the blade holder and blade of FIG. 1;

FIG. 24 is a bottom view of the blade holder and blade of FIG. 1; and,

FIG. 25 is an enlarged cross sectional view of the blade holder and blade taken through line 25-25 of FIG. 24.

Any broken lines, shown throughout in the drawing figures, are included for the purpose of illustrating environmental structures and form no part of the claimed design.

1 Claim, 14 Drawing Sheets



(58) **Field of Classification Search**

CPC A21C 1/02; A21C 1/04; A23N 1/00; A23N
1/02; A47J 43/04; A47J 43/25; A47J
43/27; A47J 43/042; A47J 43/044; A47J
43/046; A47J 43/075; A47J 43/0722;
A47J 43/0727; B01F 3/00; B01F 3/0807;
B01F 3/0853; B01F 13/0059; B01F
13/0064; B02C 1/08; B02C 2/04; B02C
4/42; B02C 4/142; B02C 4/143; B02C
4/423; B02C 13/1835; B28C 5/10; B28C
5/12; B28C 5/14; B28C 5/16

See application file for complete search history.

(56) **References Cited**

U.S. PATENT DOCUMENTS

6,817,750	B1 *	11/2004	Sands	A47J 43/046 366/205
D501,759	S *	2/2005	Sands	D7/378
D518,994	S *	4/2006	Lin	D7/378
D530,975	S *	10/2006	Fernandez	D7/378
D554,427	S *	11/2007	Sands	D7/378
D710,141	S *	8/2014	Vulliermet	D7/326
D712,196	S *	9/2014	Ho	D7/378
D715,095	S *	10/2014	Ho	D7/376
D743,202	S *	11/2015	Sands	D7/354
D793,803	S *	8/2017	Patel	D7/376
D832,641	S *	11/2018	Sapire	D7/378

* cited by examiner



FIG. 1

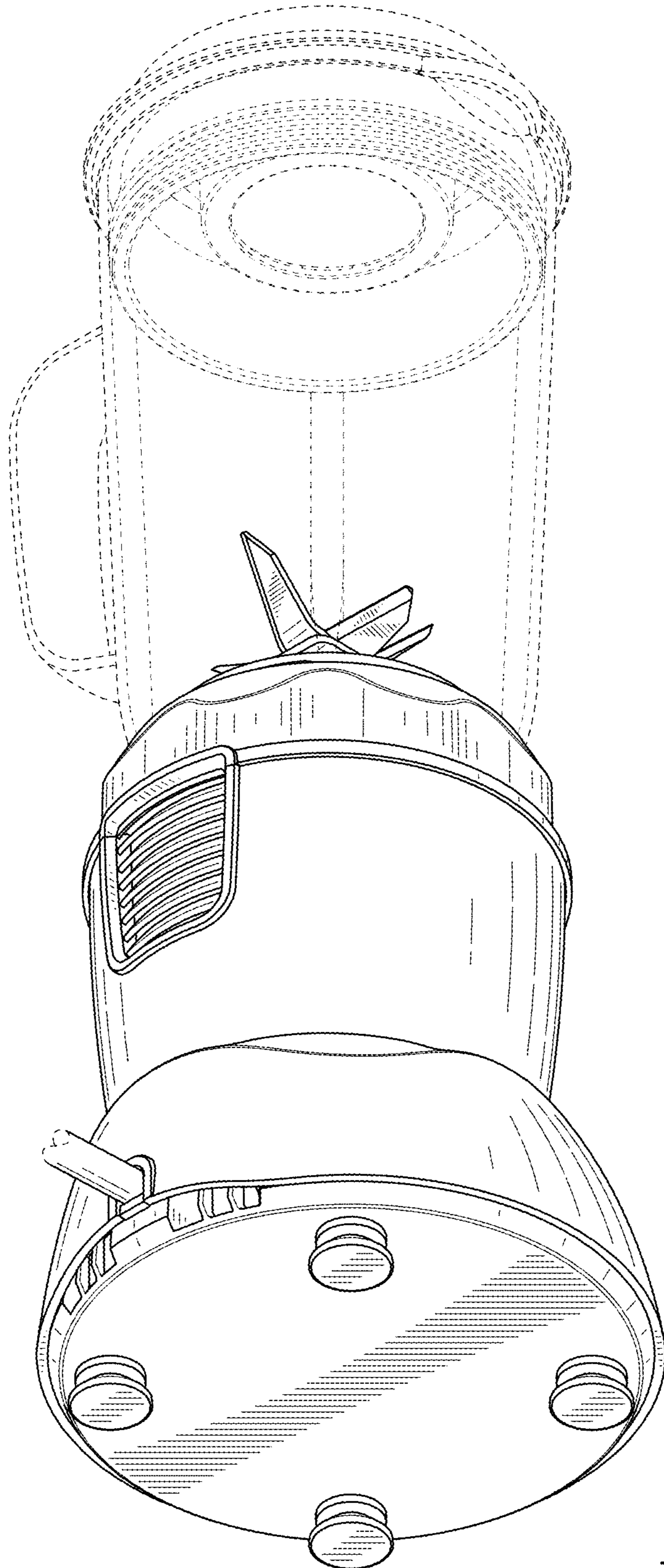


FIG. 2

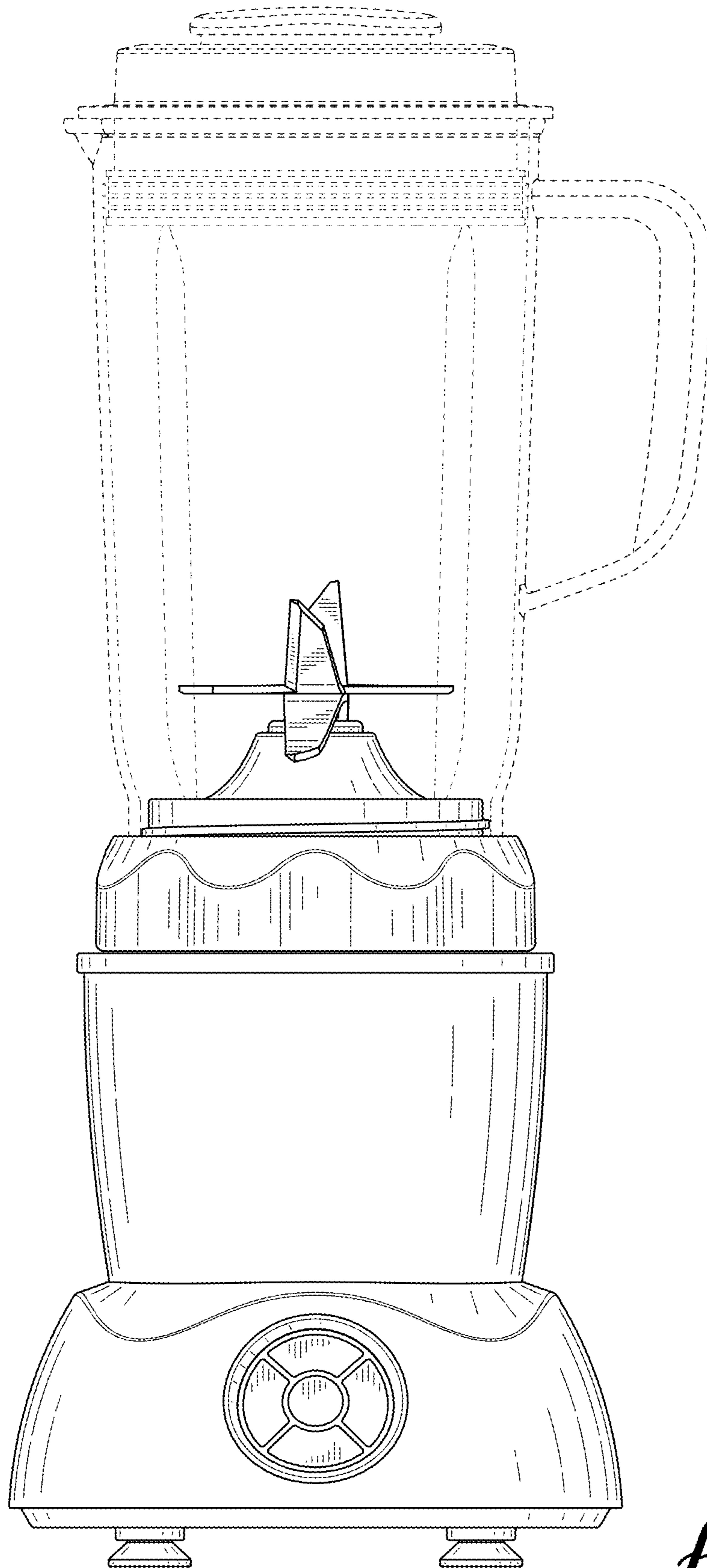


FIG. 3

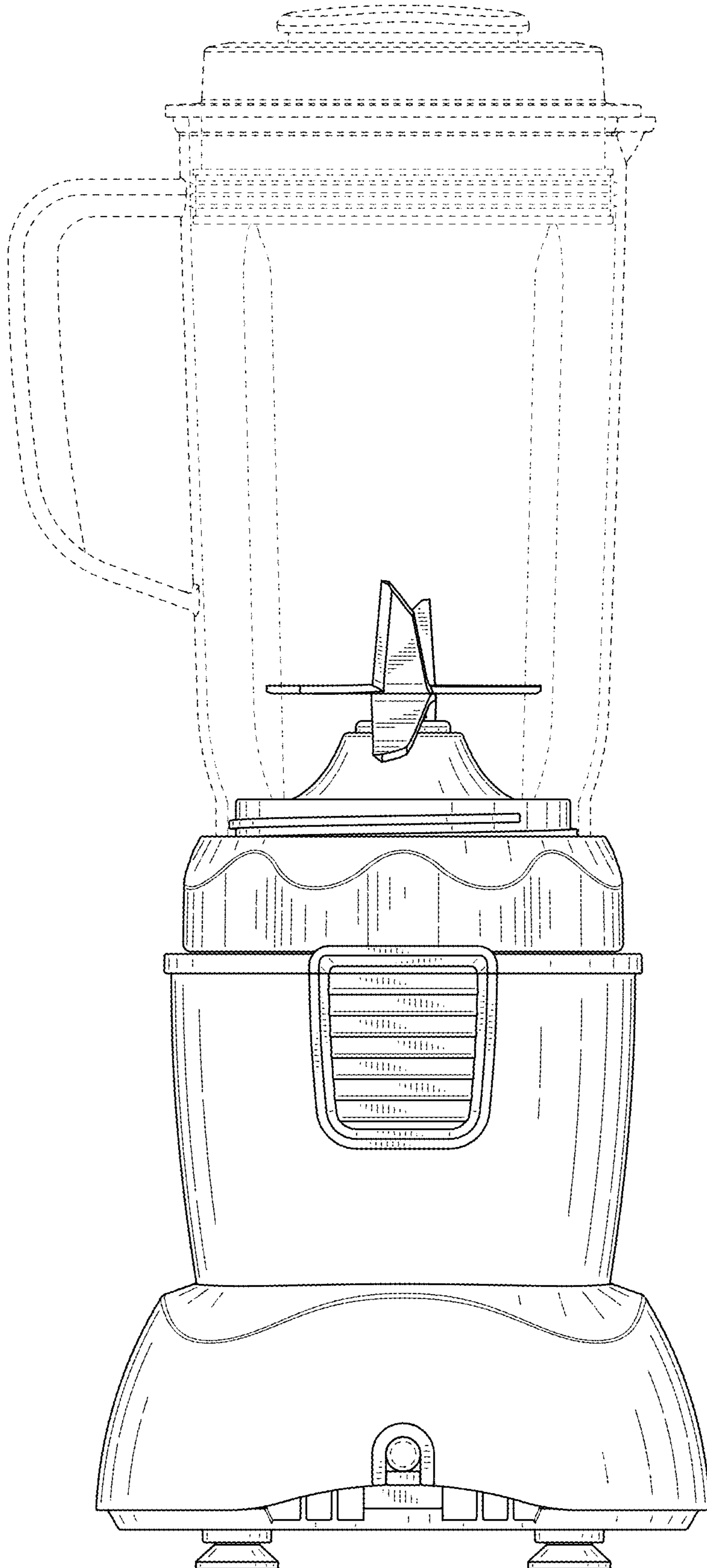


FIG. 4

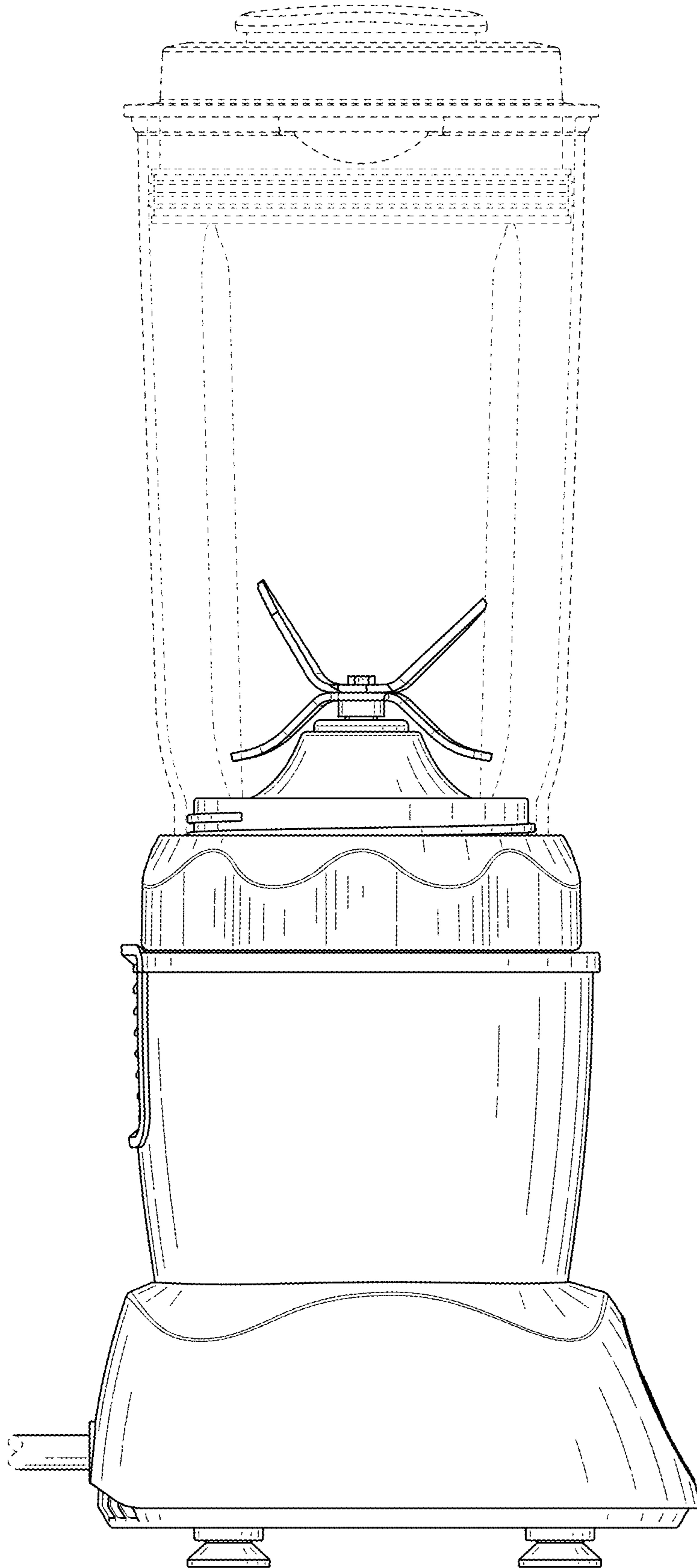


FIG. 5

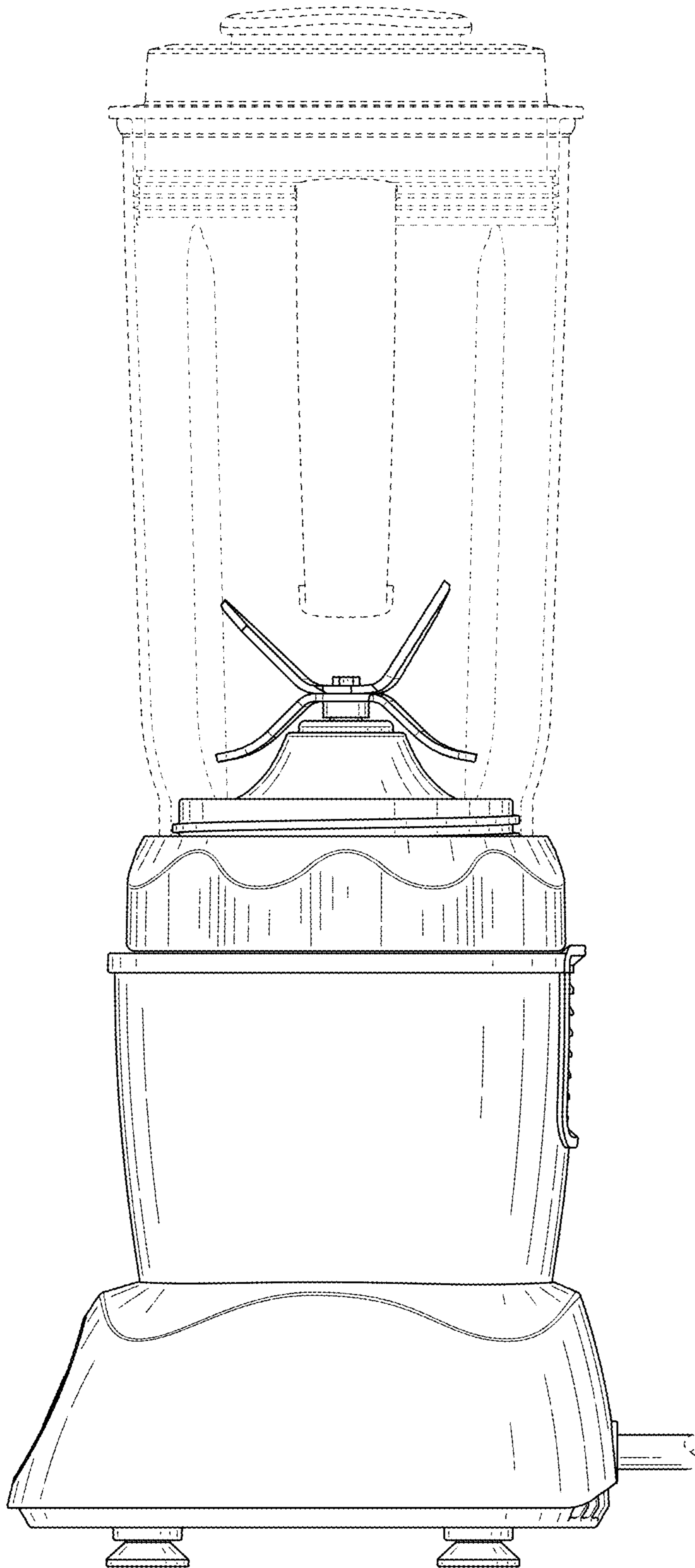


FIG. 6

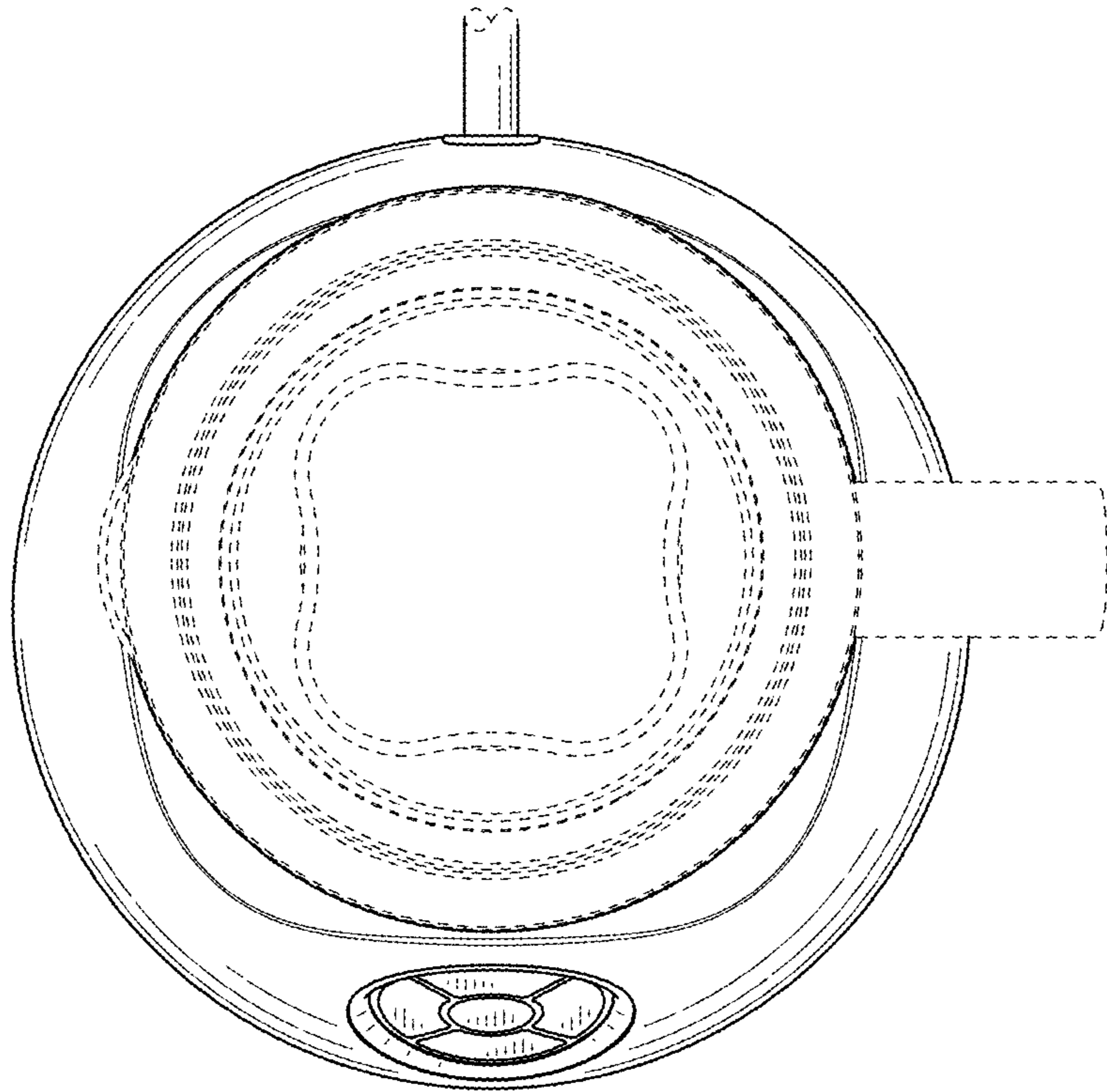


FIG. 7

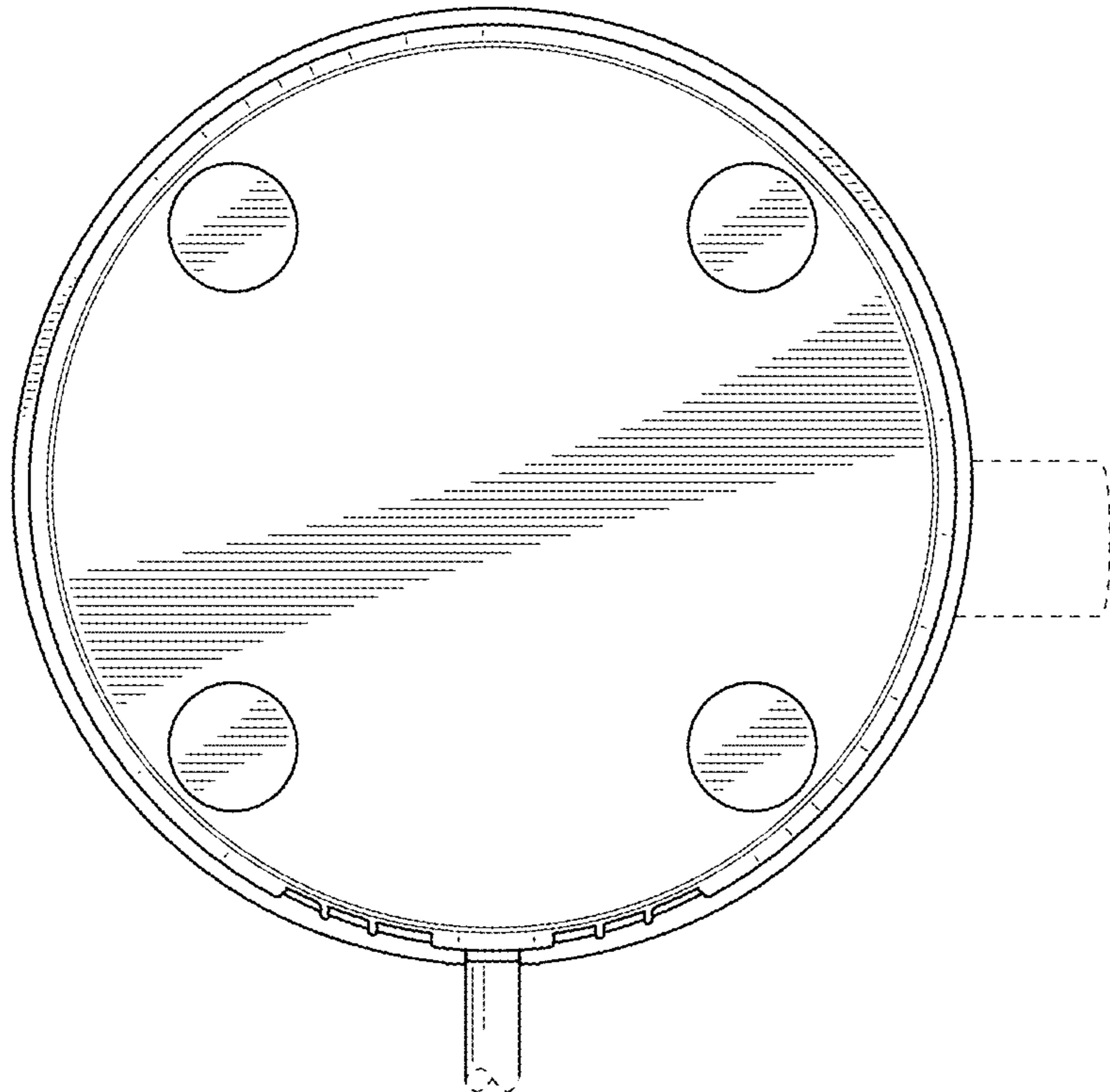


FIG. 8

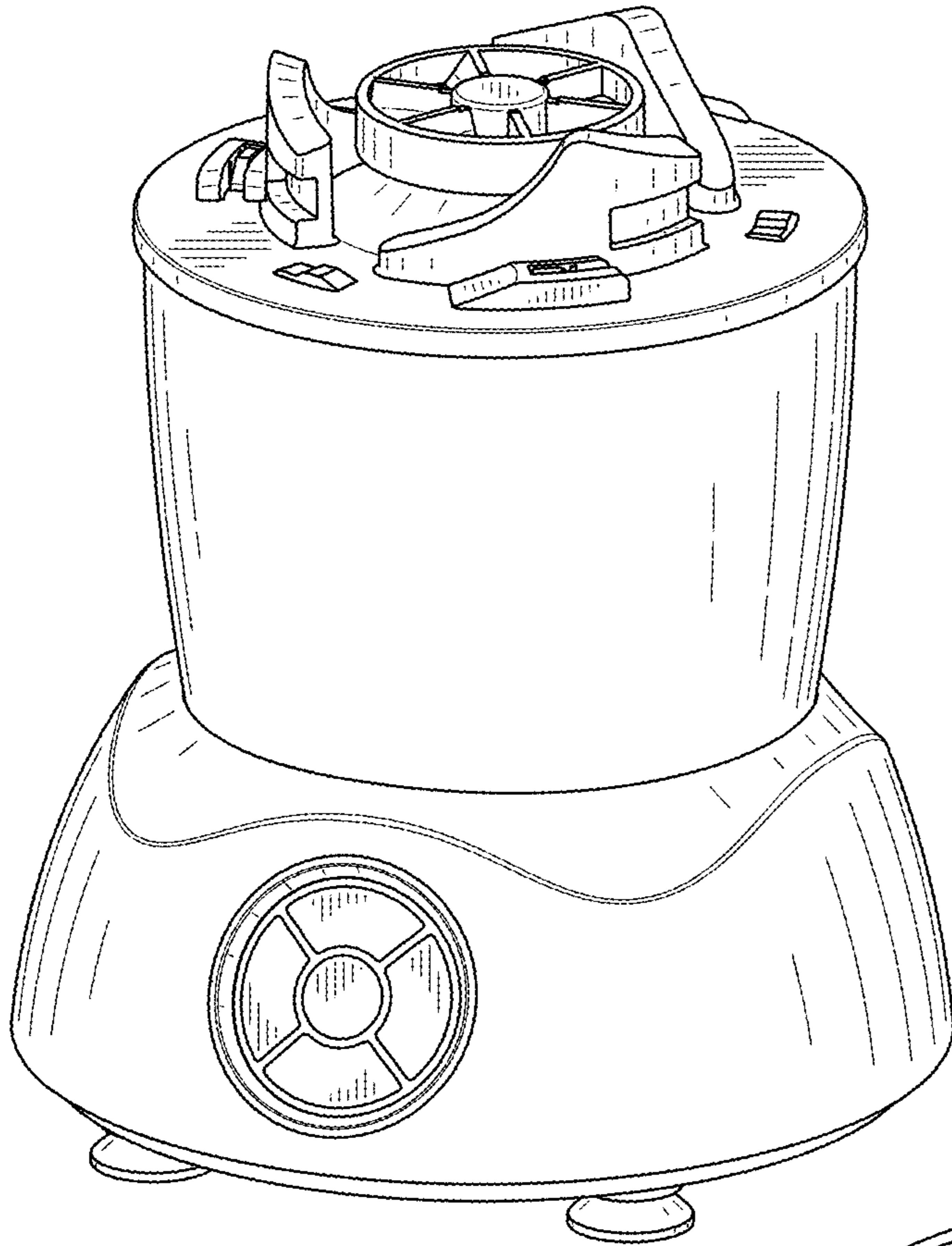
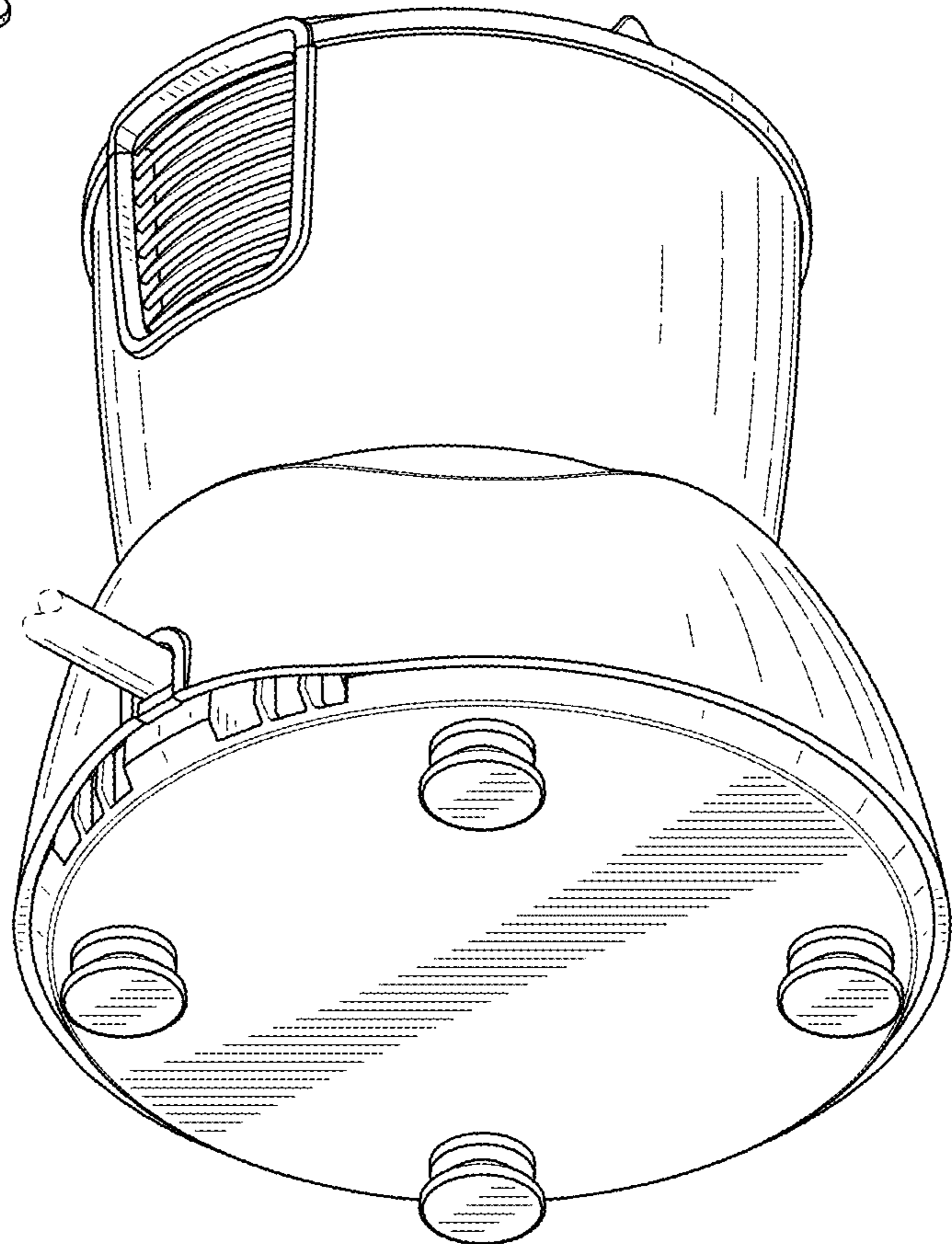


FIG. 9

FIG. 10



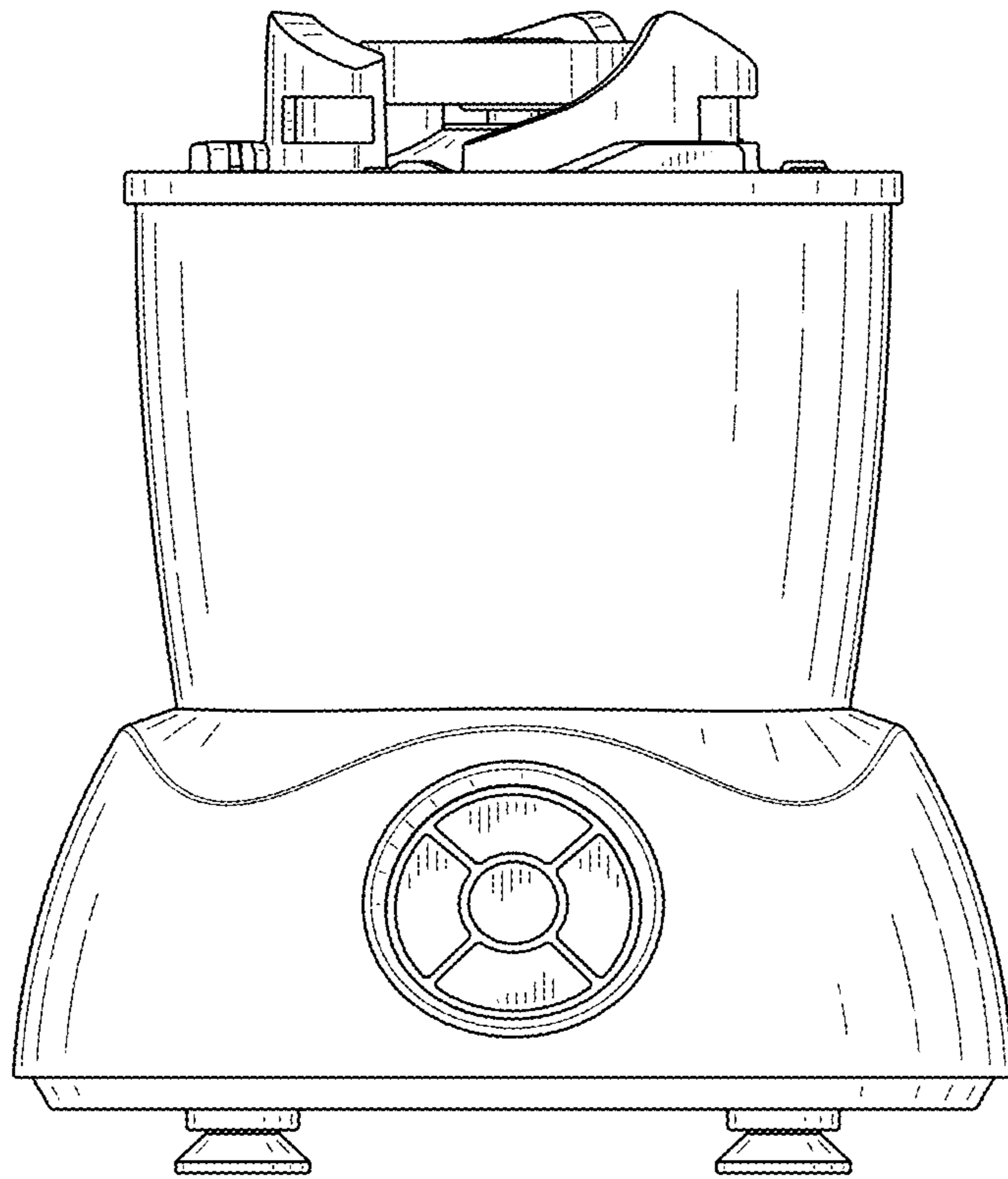


FIG. 11

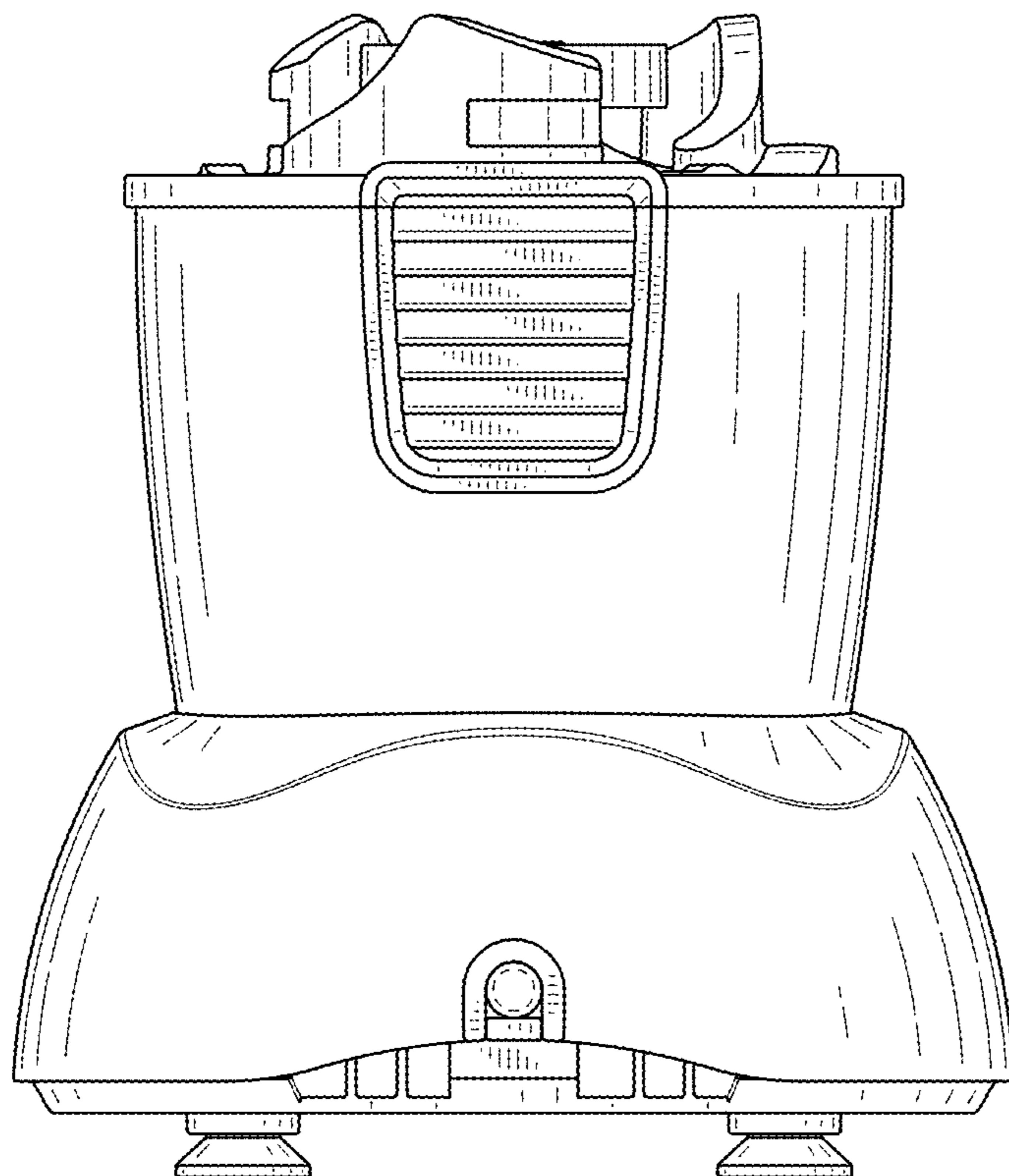


FIG. 12

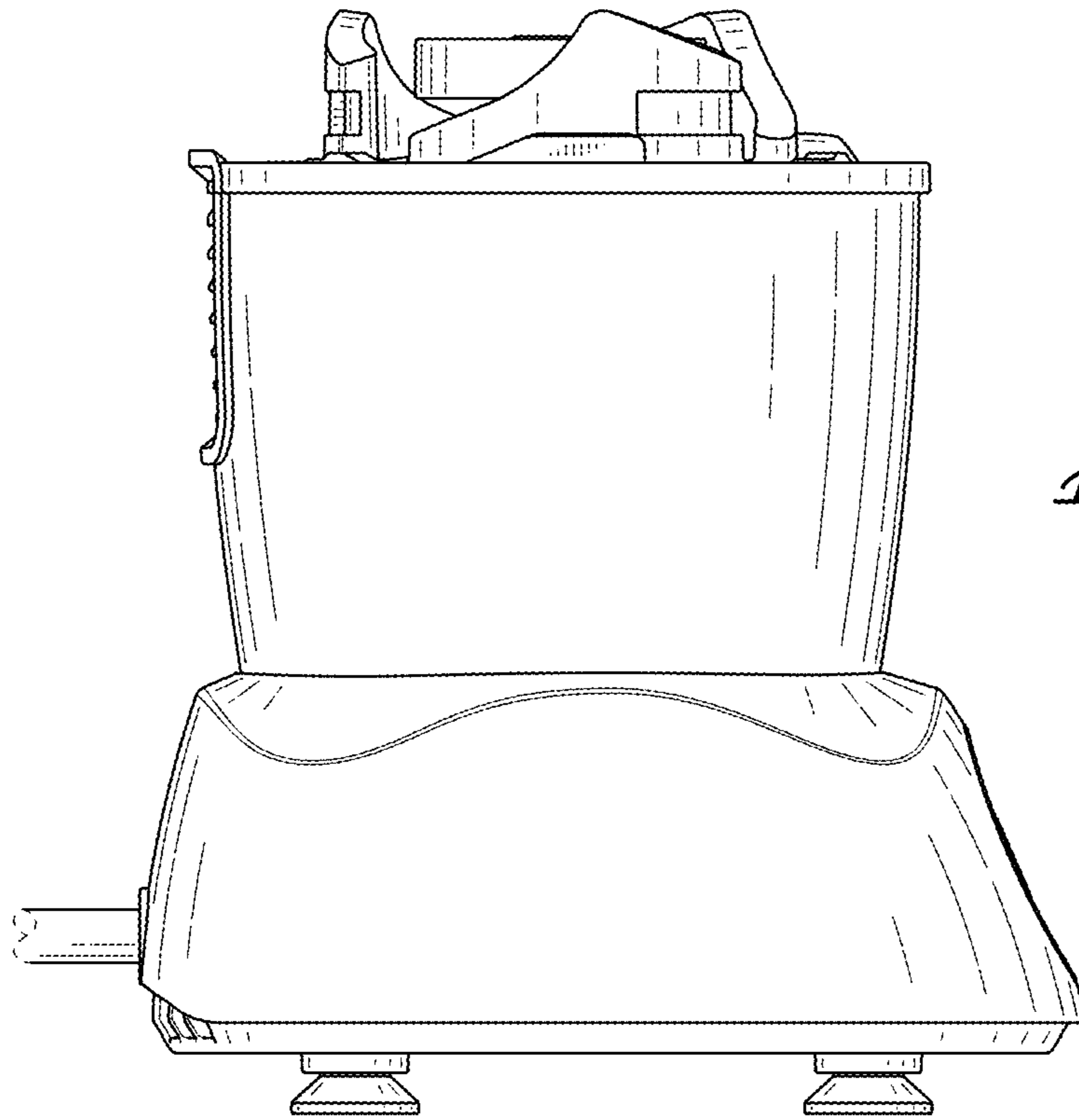


FIG. 13

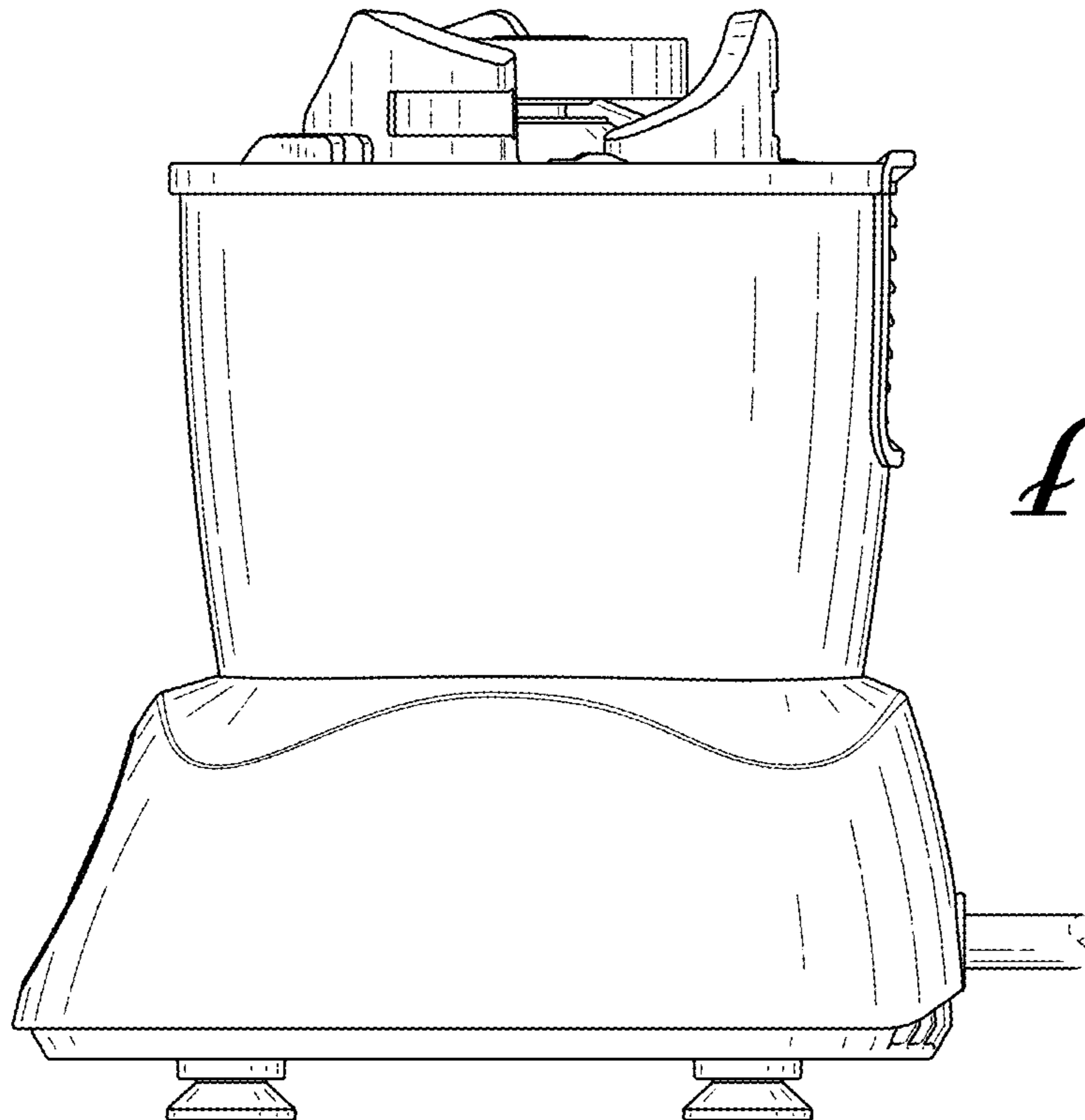


FIG. 14

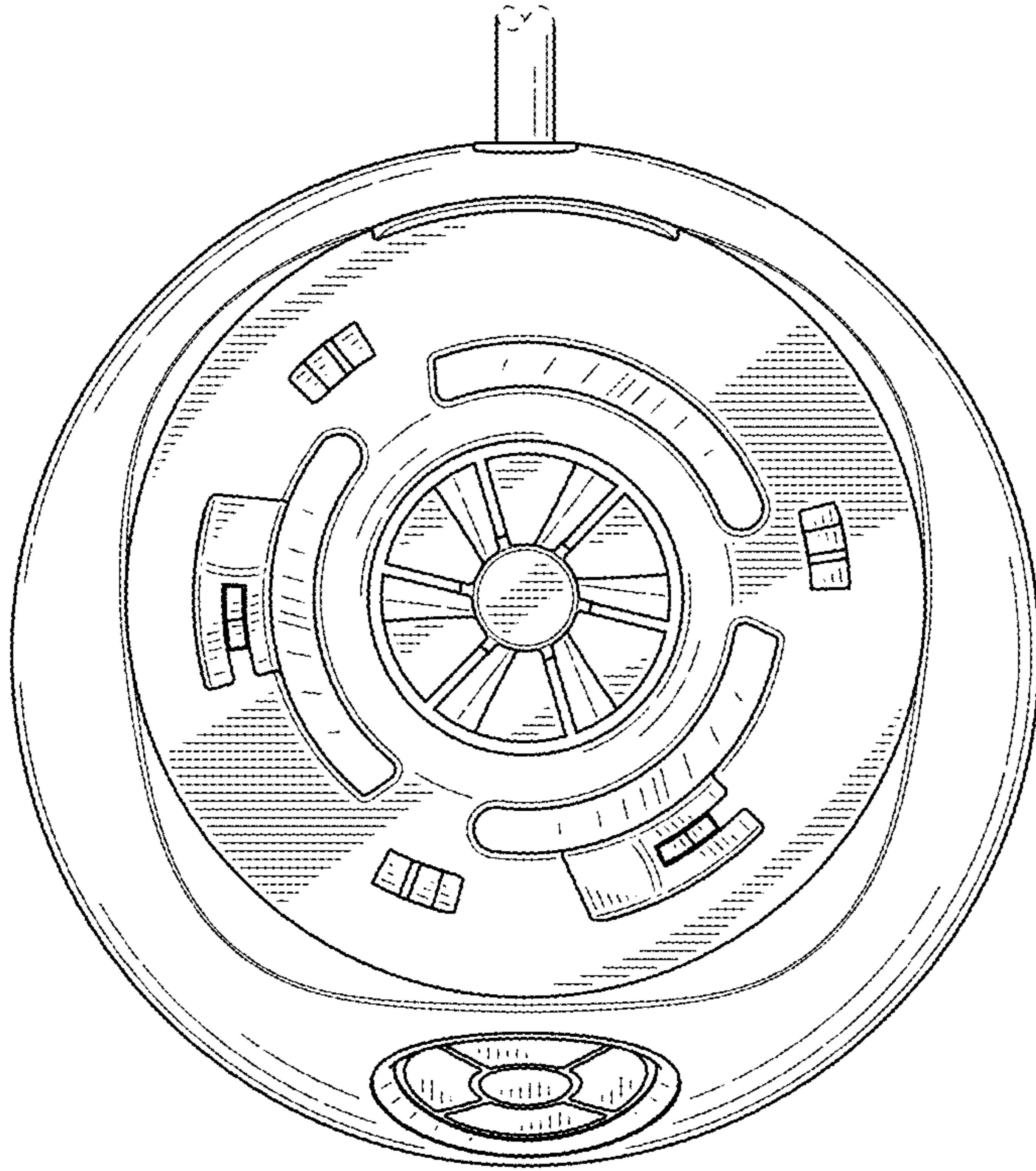


FIG. 15

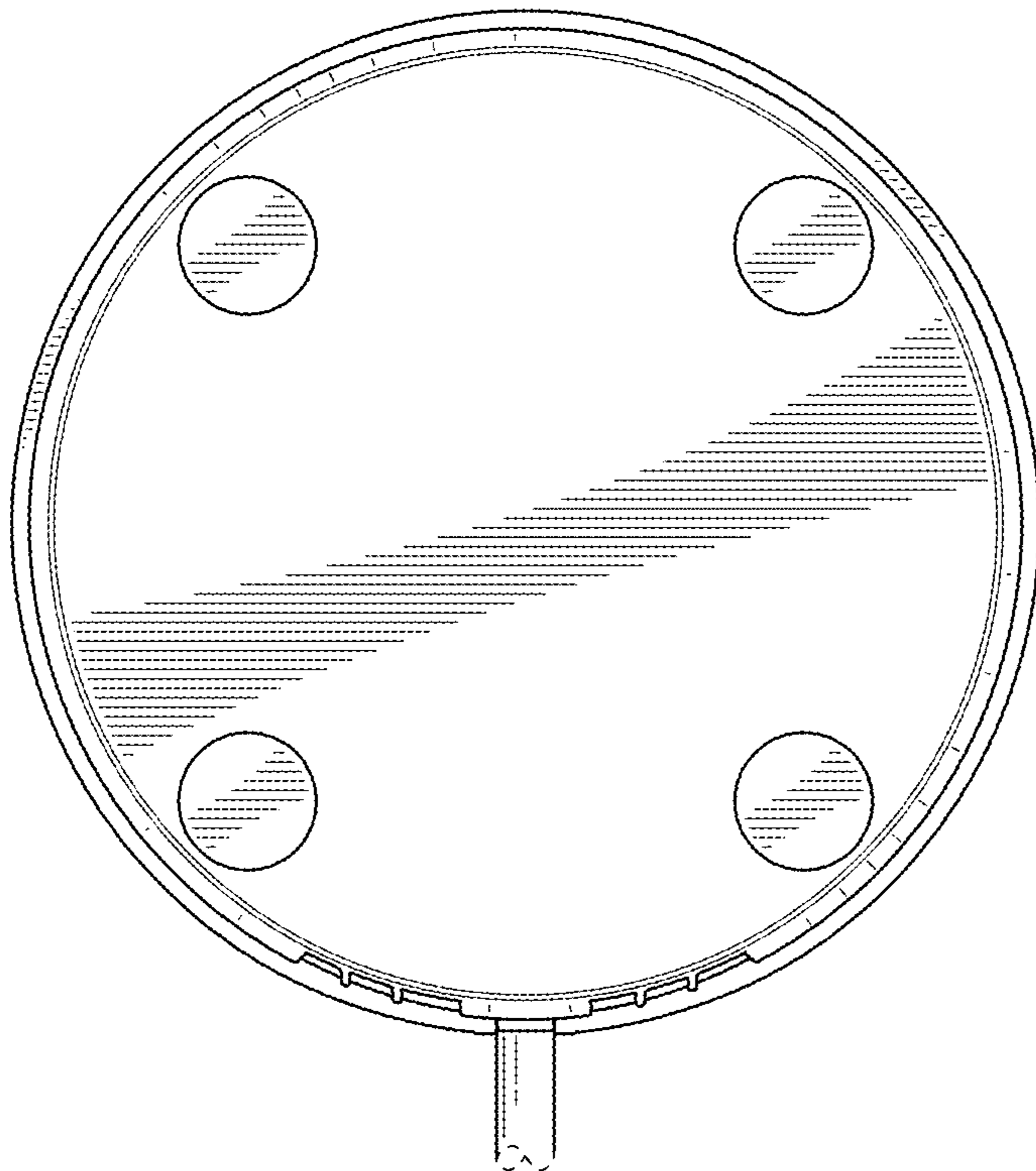


FIG. 16

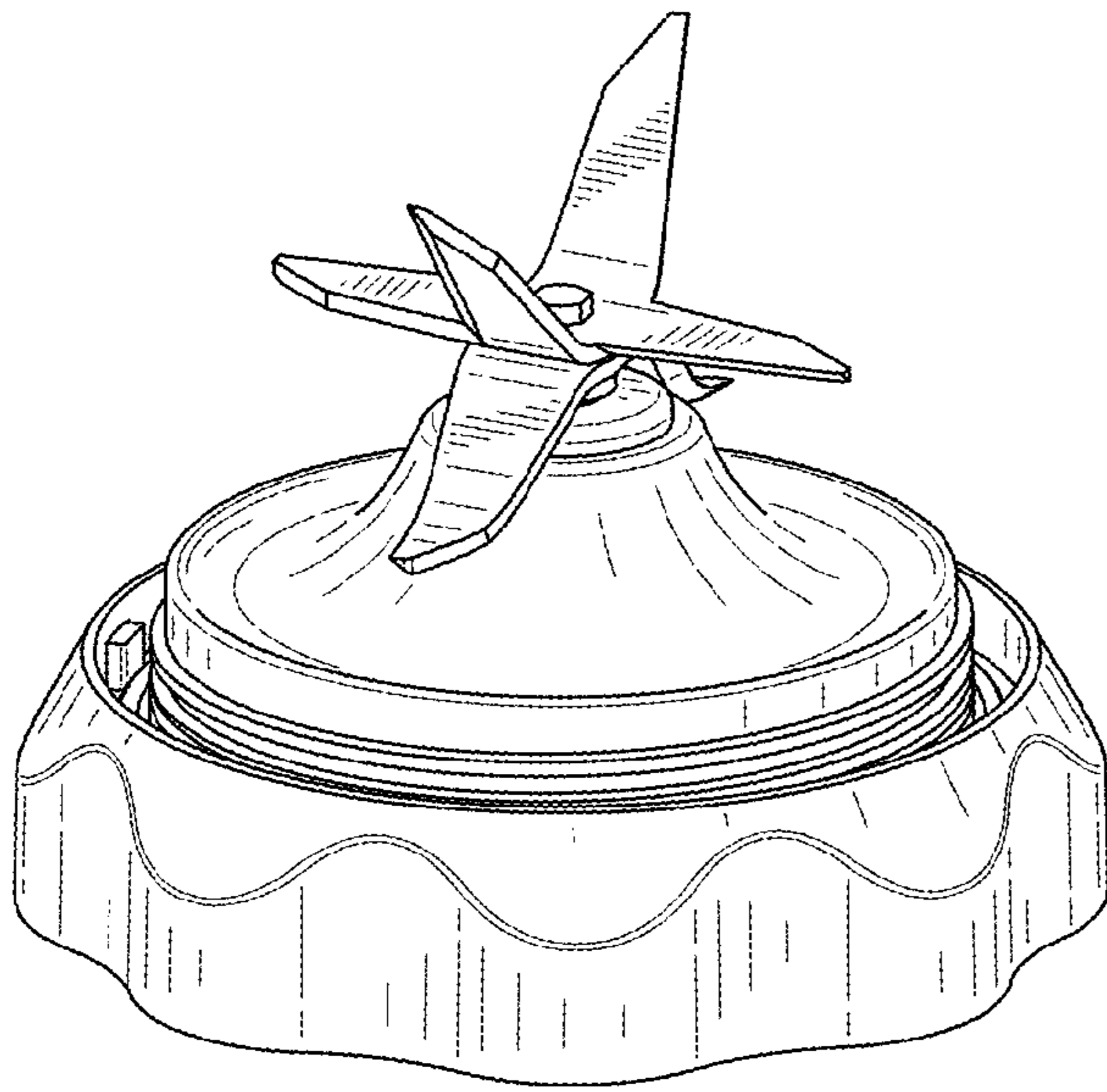


FIG. 17

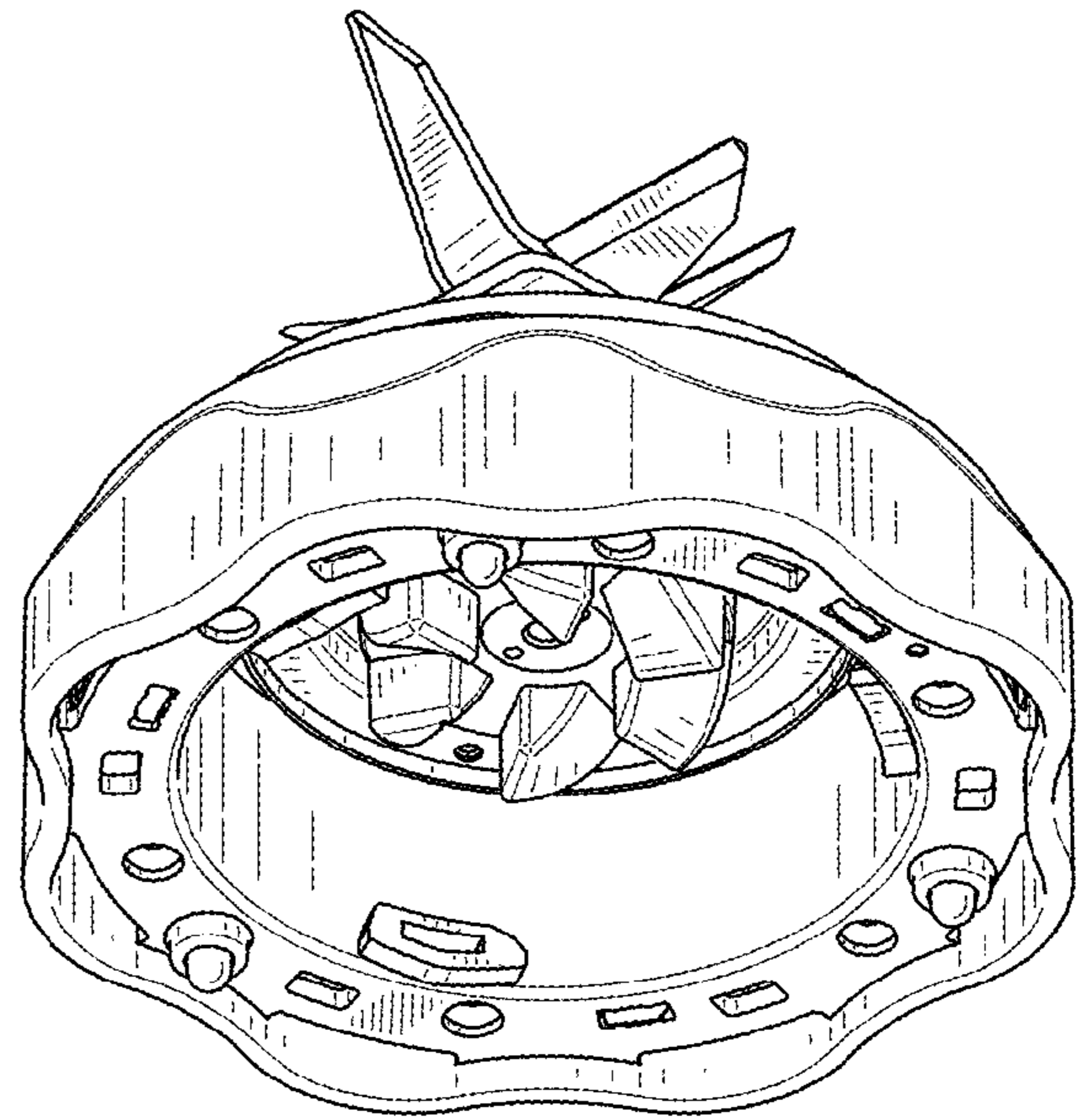


FIG. 18

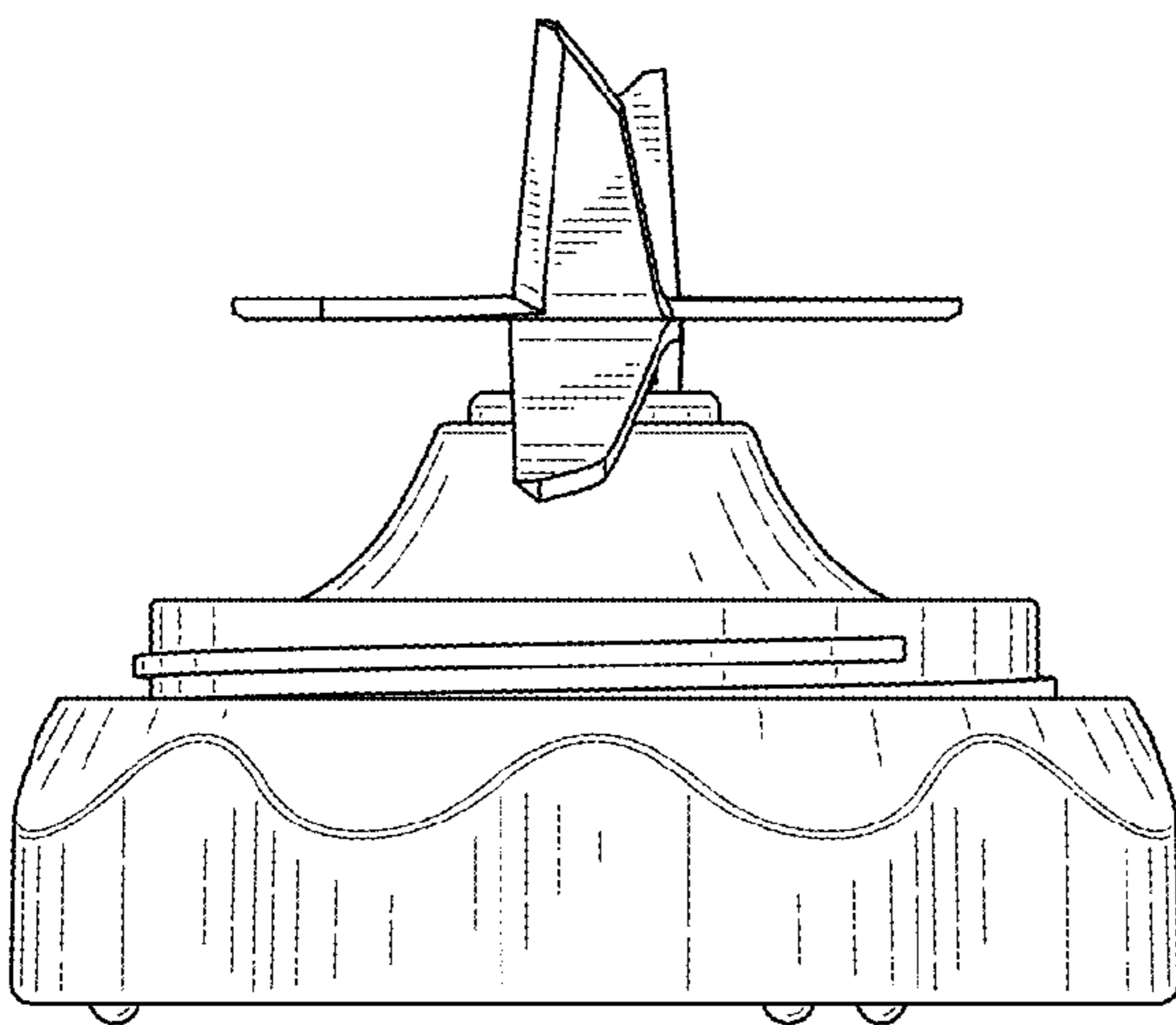


FIG. 19

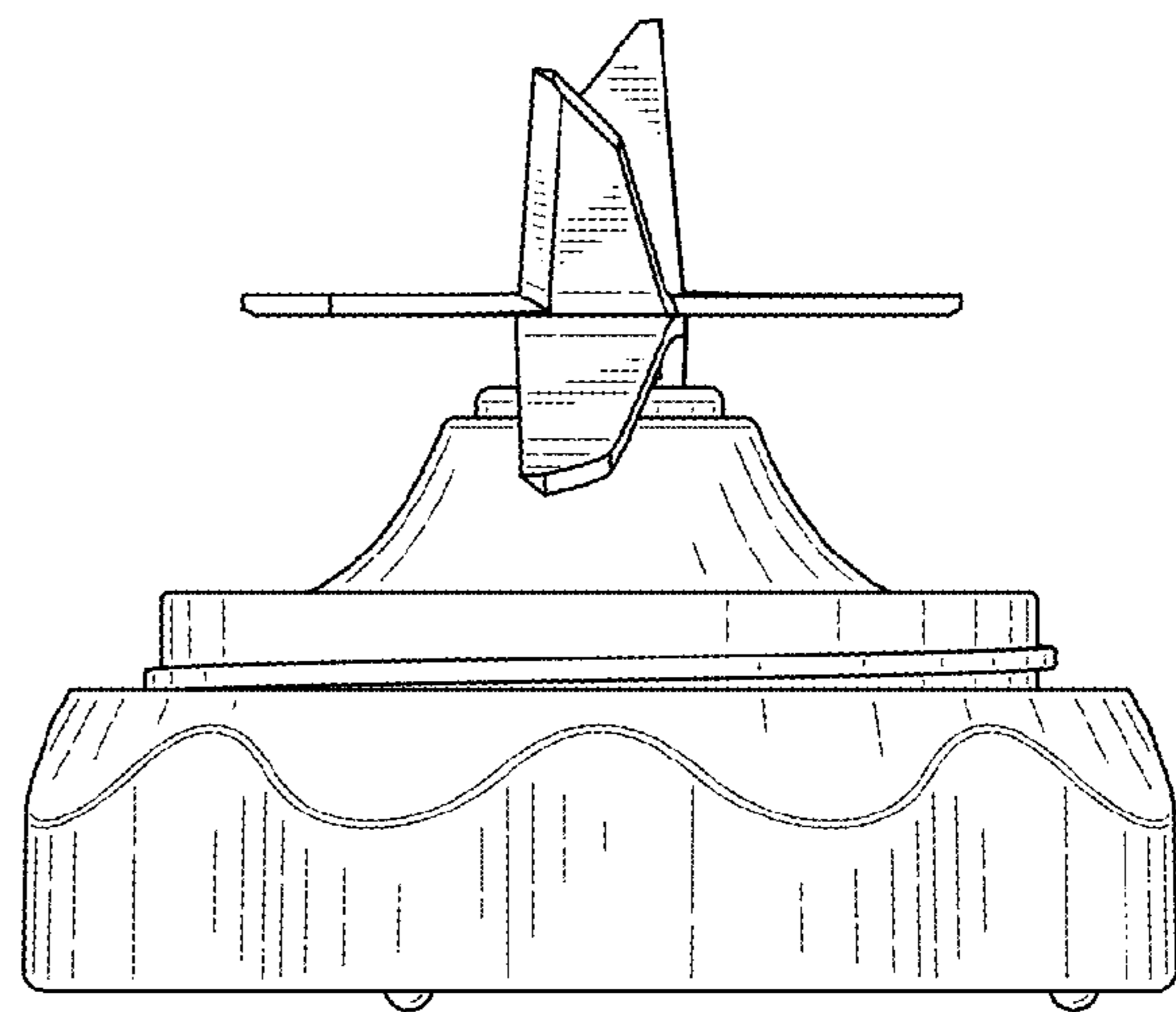


FIG. 20

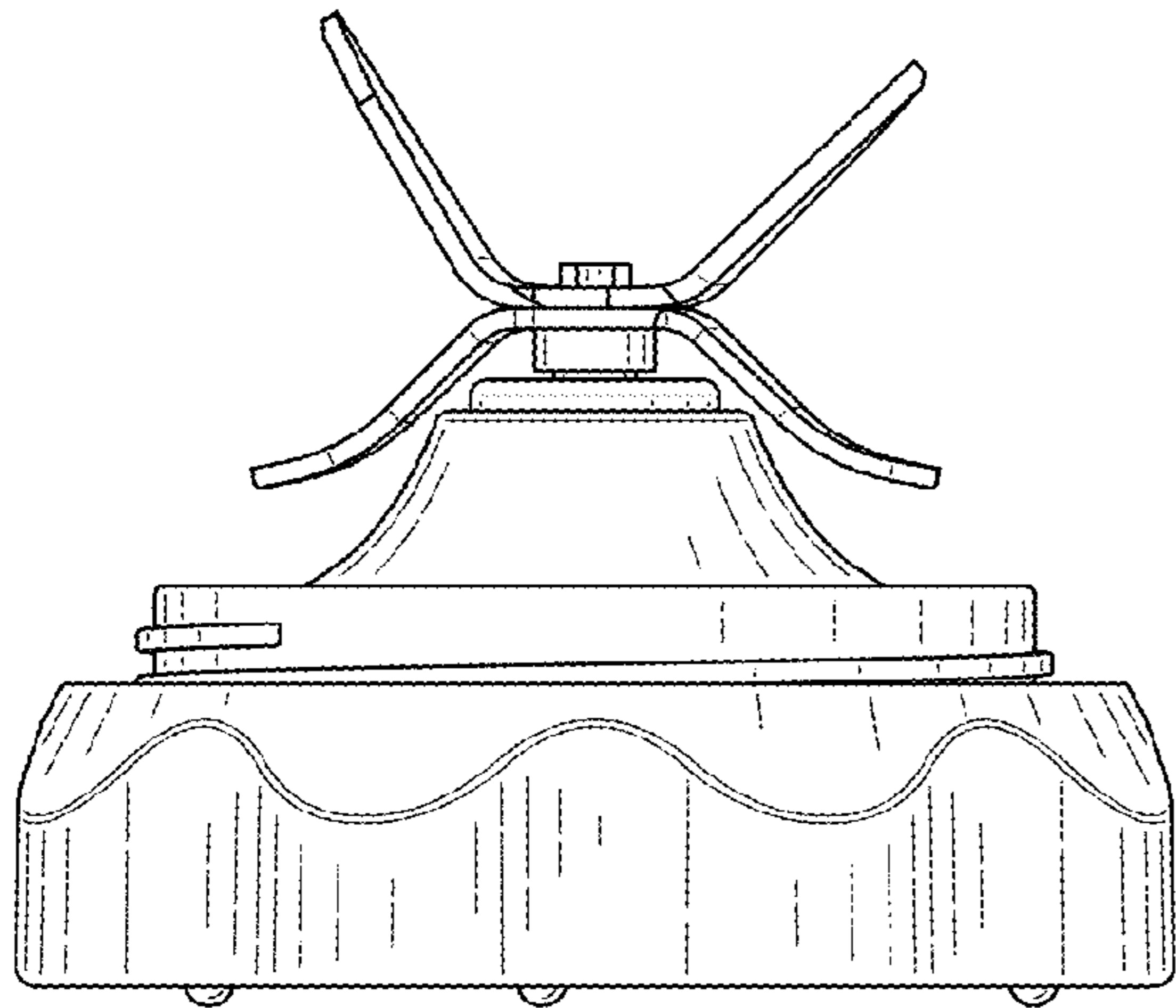


FIG. 21

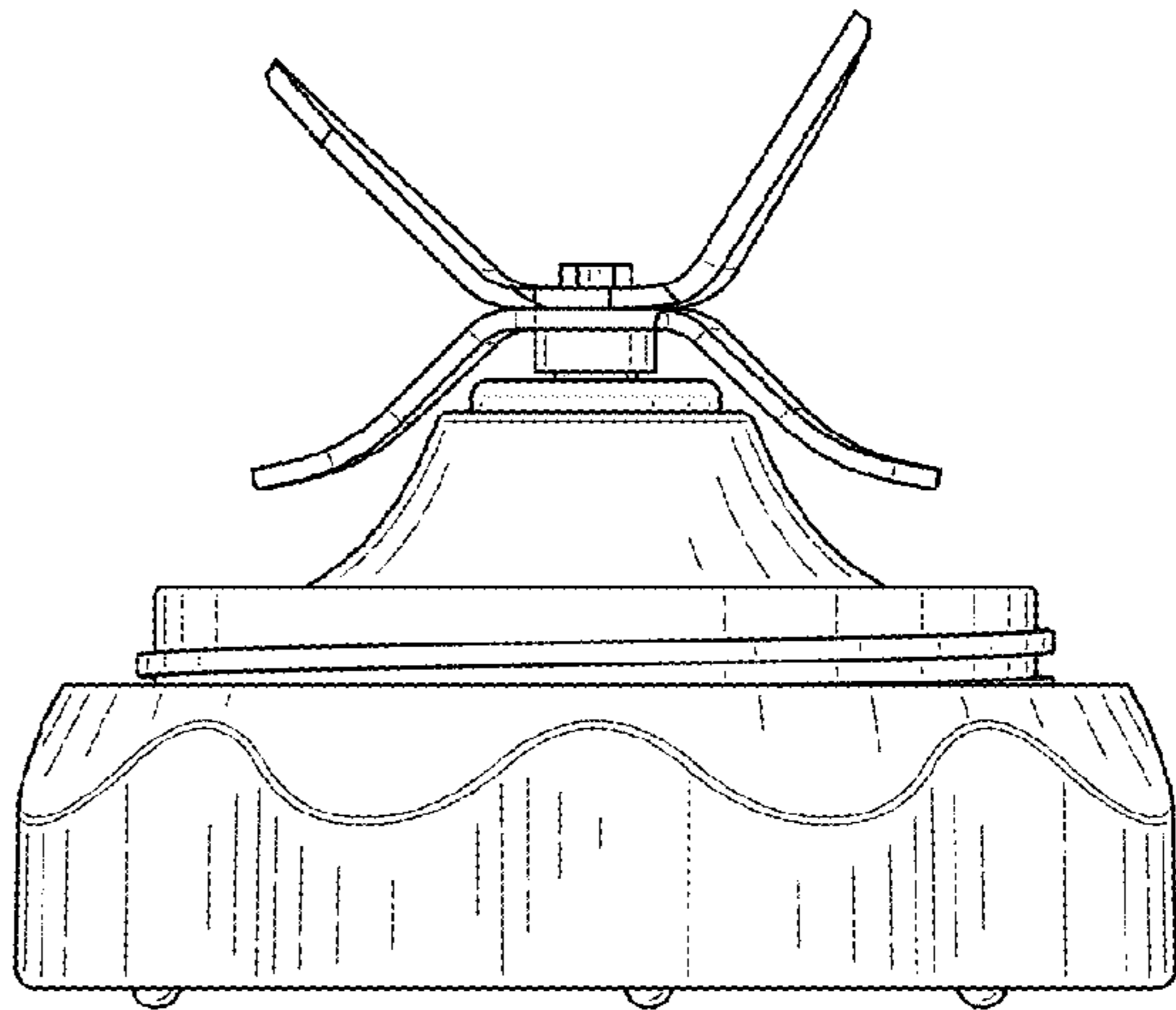


FIG. 22

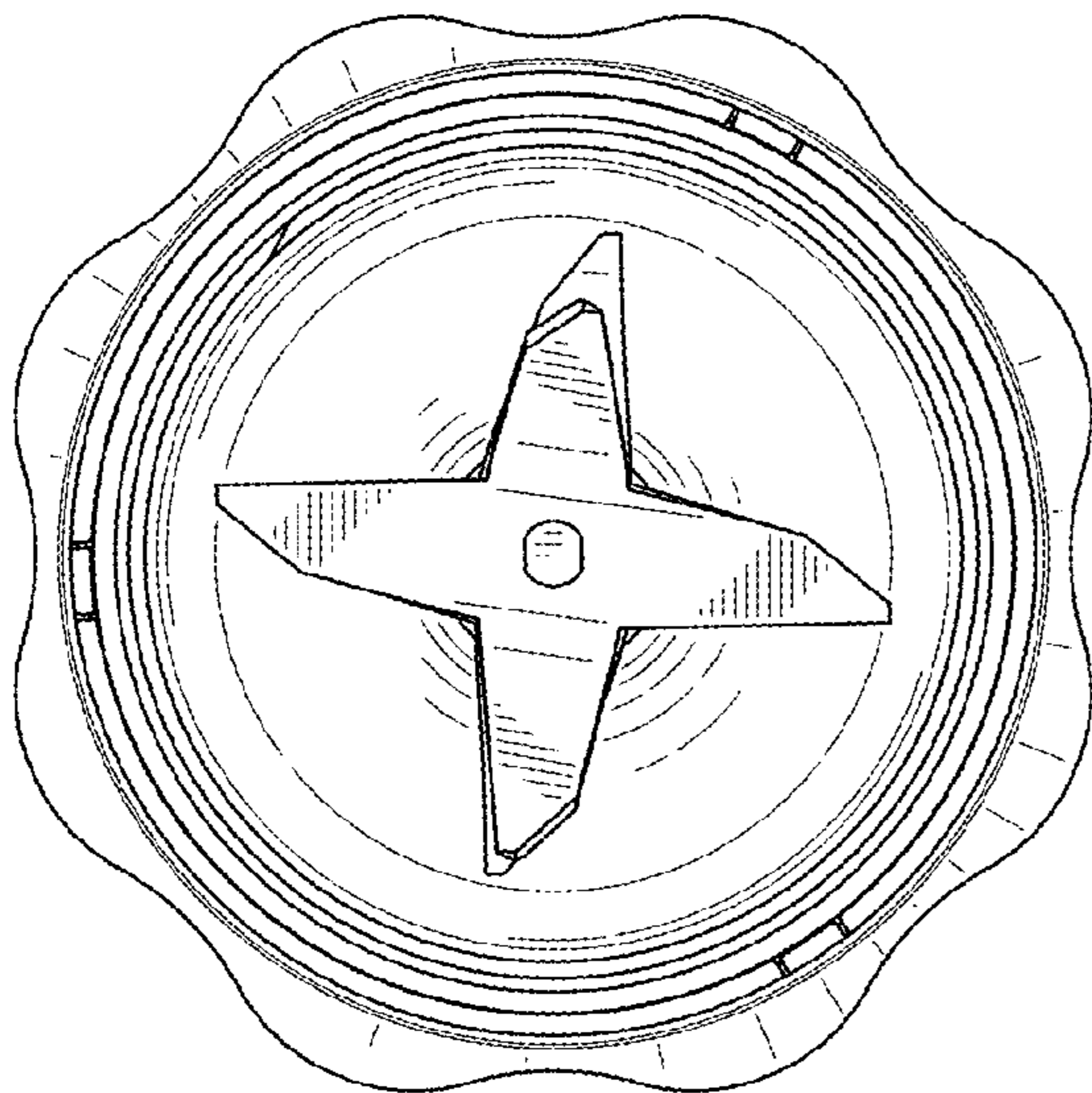


FIG. 23

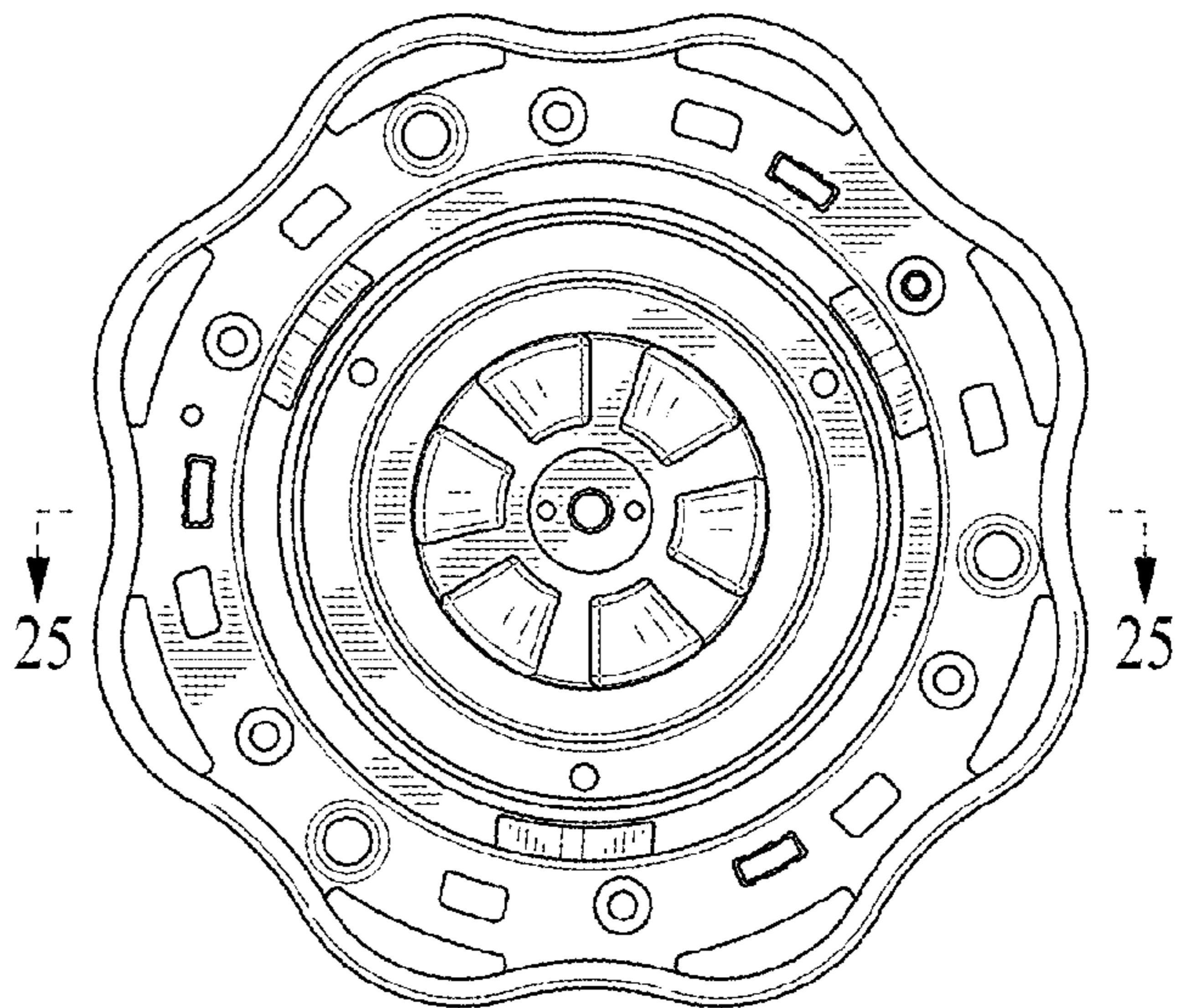


FIG. 24

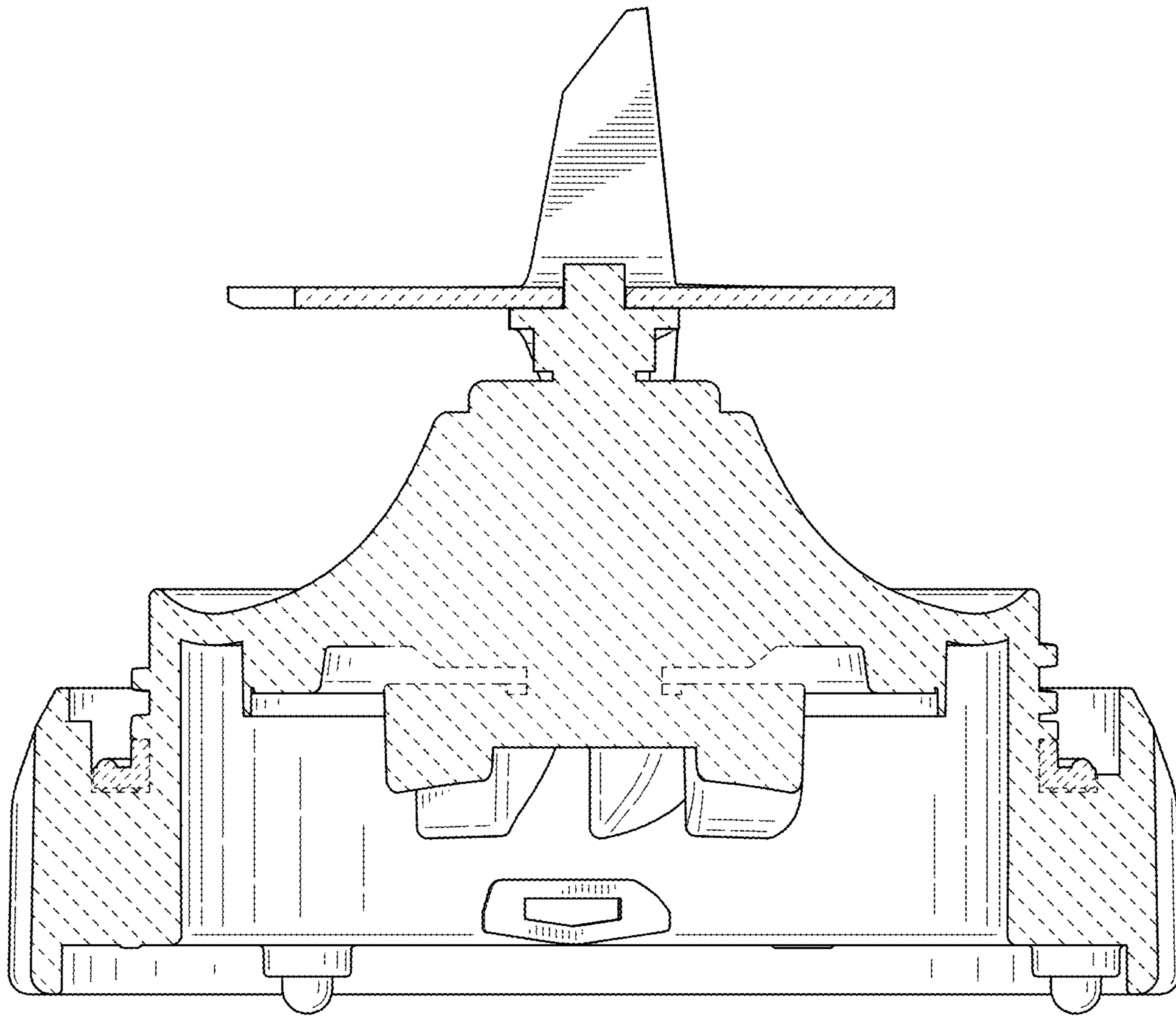


Fig. 25