



US00D889191S

(12) **United States Design Patent**
Finnance

(10) **Patent No.:** **US D889,191 S**
(45) **Date of Patent:** **** Jul. 7, 2020**

(54) **FOOD PROCESSOR**

(71) Applicant: **Capbran Holdings, LLC**, Los Angeles, CA (US)

(72) Inventor: **Robert Finnance**, Los Angeles, CA (US)

(73) Assignee: **capbran Holdings, LLC**, Los Angeles, CA (US)

(**) Term: **15 Years**

(21) Appl. No.: **29/728,433**

(22) Filed: **Mar. 18, 2020**

(51) **LOC (12) Cl.** **31-00**

(52) **U.S. Cl.**
USPC **D7/378; D7/376; D7/386; D7/412; D7/413**

(58) **Field of Classification Search**

USPC **D7/326, 358, 372, 376-386, 412-413, D7/536, 602, 629, 665-666, 669, 679, D7/693-694**

(Continued)

(56) **References Cited**

U.S. PATENT DOCUMENTS

D423,872 S * 5/2000 Blaise D7/378
D487,668 S * 3/2004 Sands D7/378

(Continued)

Primary Examiner — Ricky Pham

(74) *Attorney, Agent, or Firm* — Trojan Law Offices

(57) **CLAIM**

The ornamental design for a food processor, as shown and described.

DESCRIPTION

FIG. 1 is a front perspective view of a combined blending accessory and motor base, in accordance with an embodiment of the present invention;

FIG. 2 is a bottom perspective view of the combined blending accessory and motor base of FIG. 1;

FIG. 3 is a front view of the combined blending accessory and motor base of FIG. 1;

FIG. 4 is a rear view of the combined blending accessory and motor base of FIG. 1;

FIG. 5 is a left side view of the combined blending accessory and motor base of FIG. 1;

FIG. 6 is a right side view of the combined blending accessory and motor base of FIG. 1;

FIG. 7 is a top view of the combined blending accessory and motor base of FIG. 1;

FIG. 8 is a bottom view of the combined blending accessory and motor base of FIG. 1;

FIG. 9 is a front perspective view of the motor base of FIG. 1;

FIG. 10 is a bottom perspective view of the motor base of FIG. 1;

FIG. 11 is a front view of the motor base of FIG. 1;

FIG. 12 is a rear view of the motor base of FIG. 1;

FIG. 13 is a left side view of the motor base of FIG. 1;

FIG. 14 is a right side view of the motor base of FIG. 1;

FIG. 15 is a top view of the motor base of FIG. 1;

FIG. 16 is a bottom view of the motor base of FIG. 1;

FIG. 17 is a front perspective view of the blending accessory of FIG. 1;

FIG. 18 is a bottom perspective view of the blending accessory of FIG. 1;

FIG. 19 is a left side view of the blending accessory of FIG. 1;

FIG. 20 is a right side view of the blending accessory of FIG. 1;

FIG. 21 is a front view of the blending accessory of FIG. 1;

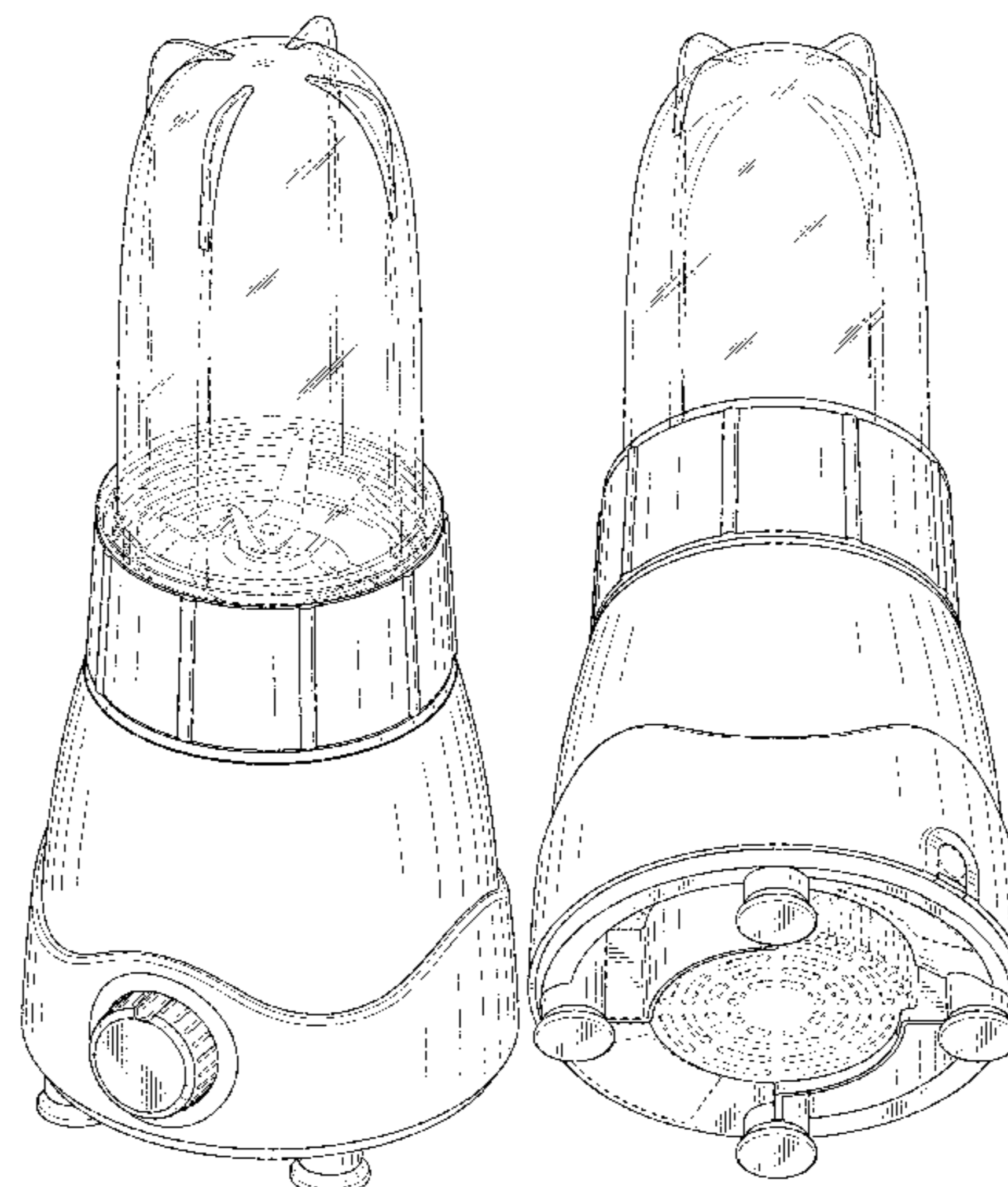
FIG. 22 is a rear view of the blending accessory of FIG. 1;

FIG. 23 is a top view of the blending accessory of FIG. 1; and,

FIG. 24 is a bottom view of the blending accessory of FIG. 1.

Any broken lines, shown throughout in the drawing figures, are included for the purpose of illustrating environmental structures and form no part of the claimed design.

1 Claim, 15 Drawing Sheets



(58) **Field of Classification Search**

CPC A21C 1/02; A21C 1/04; A23N 1/00; A23N
1/02; A47J 43/04; A47J 43/25; A47J
43/27; A47J 43/042; A47J 43/044; A47J
43/046; A47J 43/075; A47J 43/0722;
A47J 43/0727; B01F 3/00; B01F 3/0807;
B01F 3/0853; B01F 13/0059; B01F
13/0064; B02C 1/08; B02C 2/04; B02C
4/42; B02C 4/142; B02C 4/143; B02C
4/423; B02C 13/1835; B28C 5/10; B28C
5/12; B28C 5/14; B28C 5/16

See application file for complete search history.

(56) **References Cited**

U.S. PATENT DOCUMENTS

6,817,750	B1 *	11/2004	Sands	A47J 43/046 366/205
D501,759	S *	2/2005	Sands	D7/378
D518,994	S *	4/2006	Lin	D7/378
D530,975	S *	10/2006	Fernandez	D7/378
D554,427	S *	11/2007	Sands	D7/378
D710,141	S *	8/2014	Vulliermet	D7/326
D712,196	S *	9/2014	Ho	D7/378
D715,095	S *	10/2014	Ho	D7/376
D743,202	S *	11/2015	Sands	D7/354
D793,803	S *	8/2017	Patel	D7/376
D832,641	S *	11/2018	Sapire	D7/378

* cited by examiner

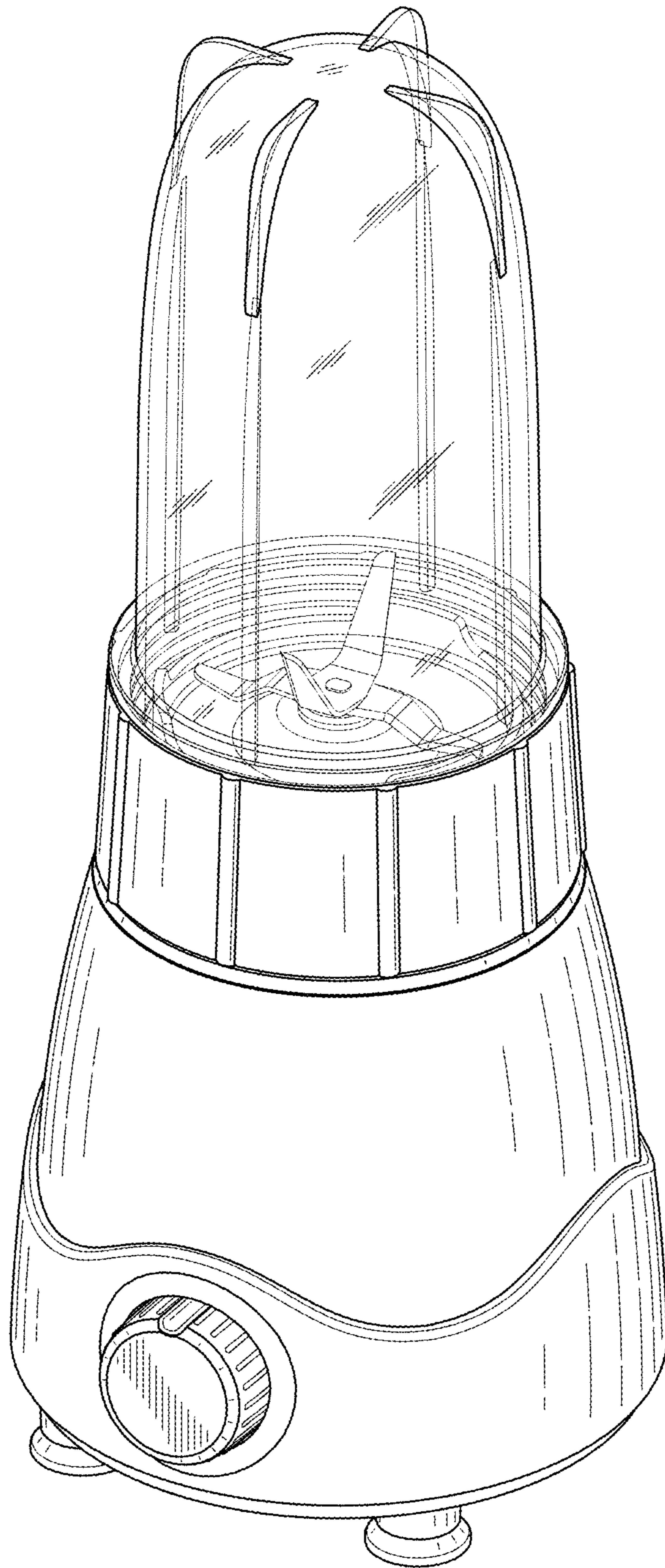


FIG. 1

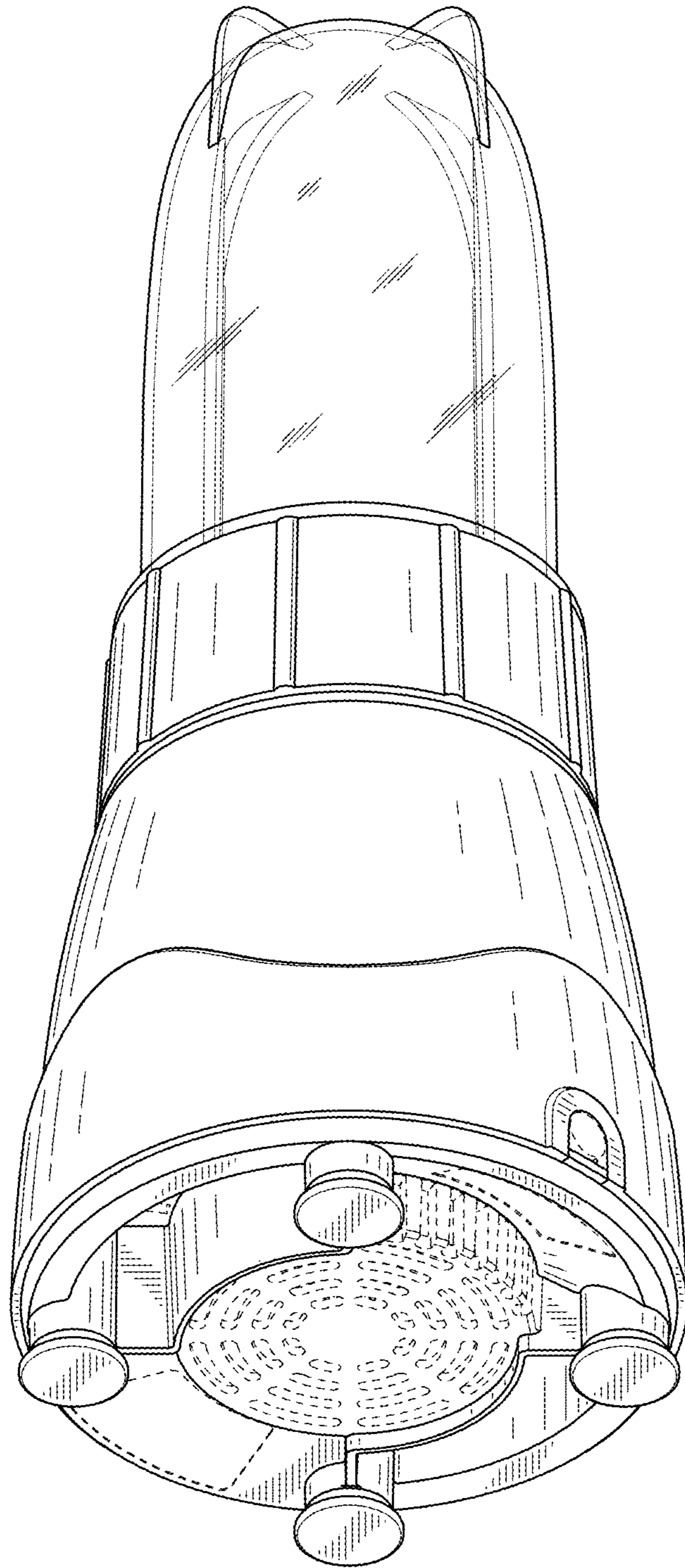


FIG. 2

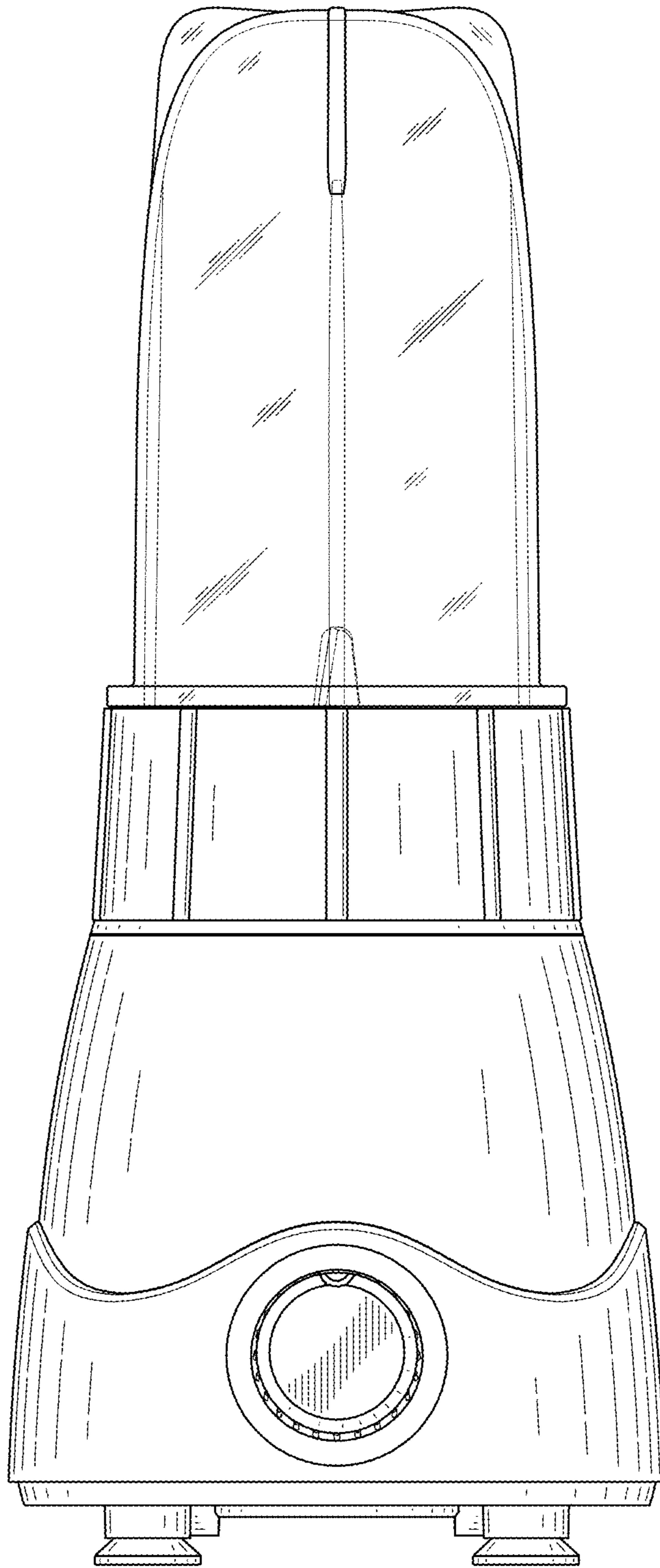


FIG. 3

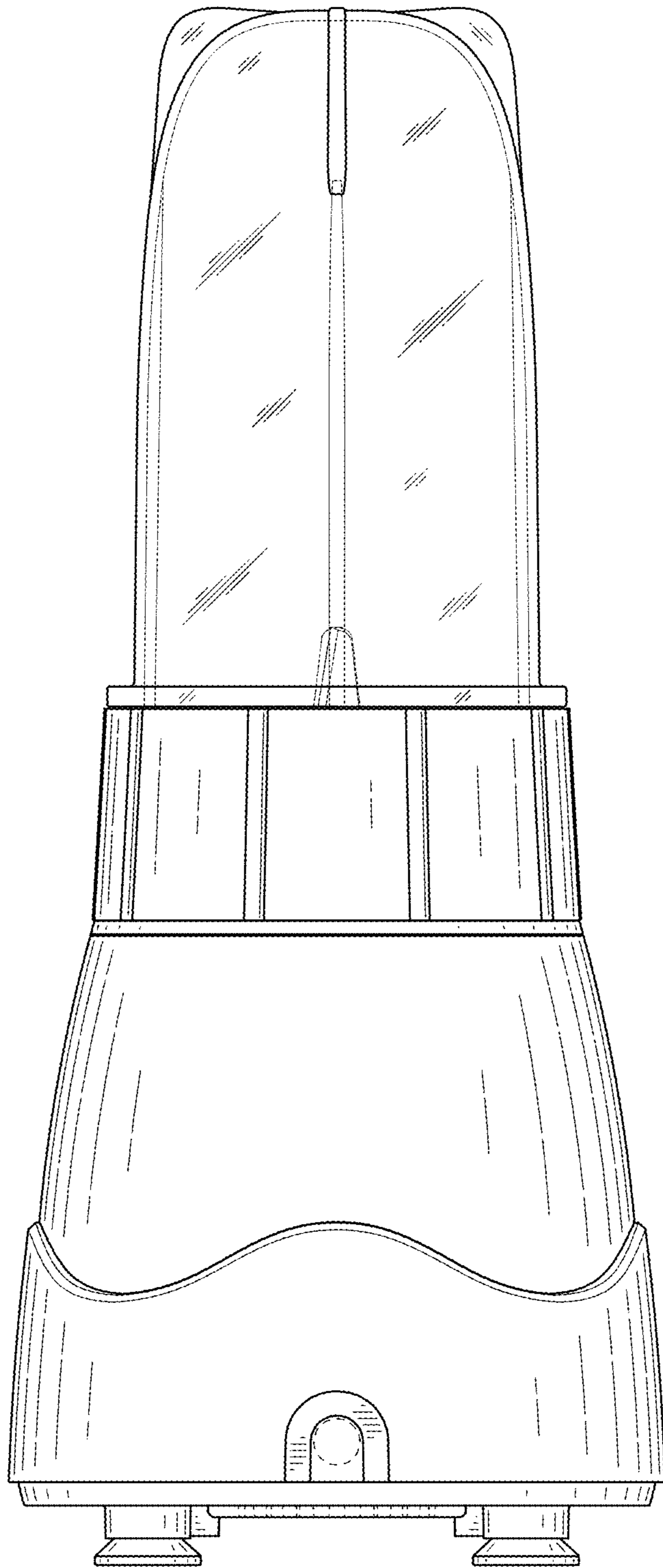


FIG. 4

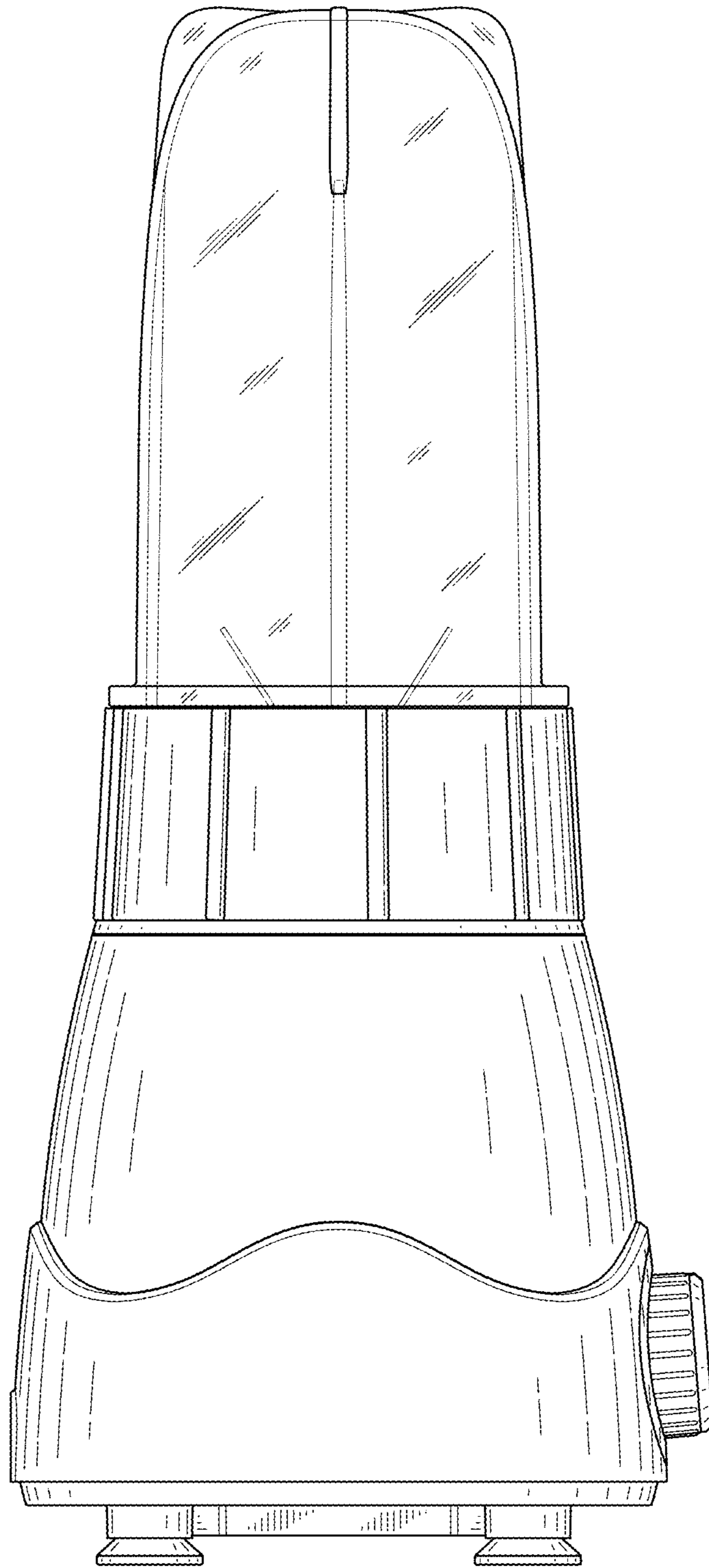


Fig. 5

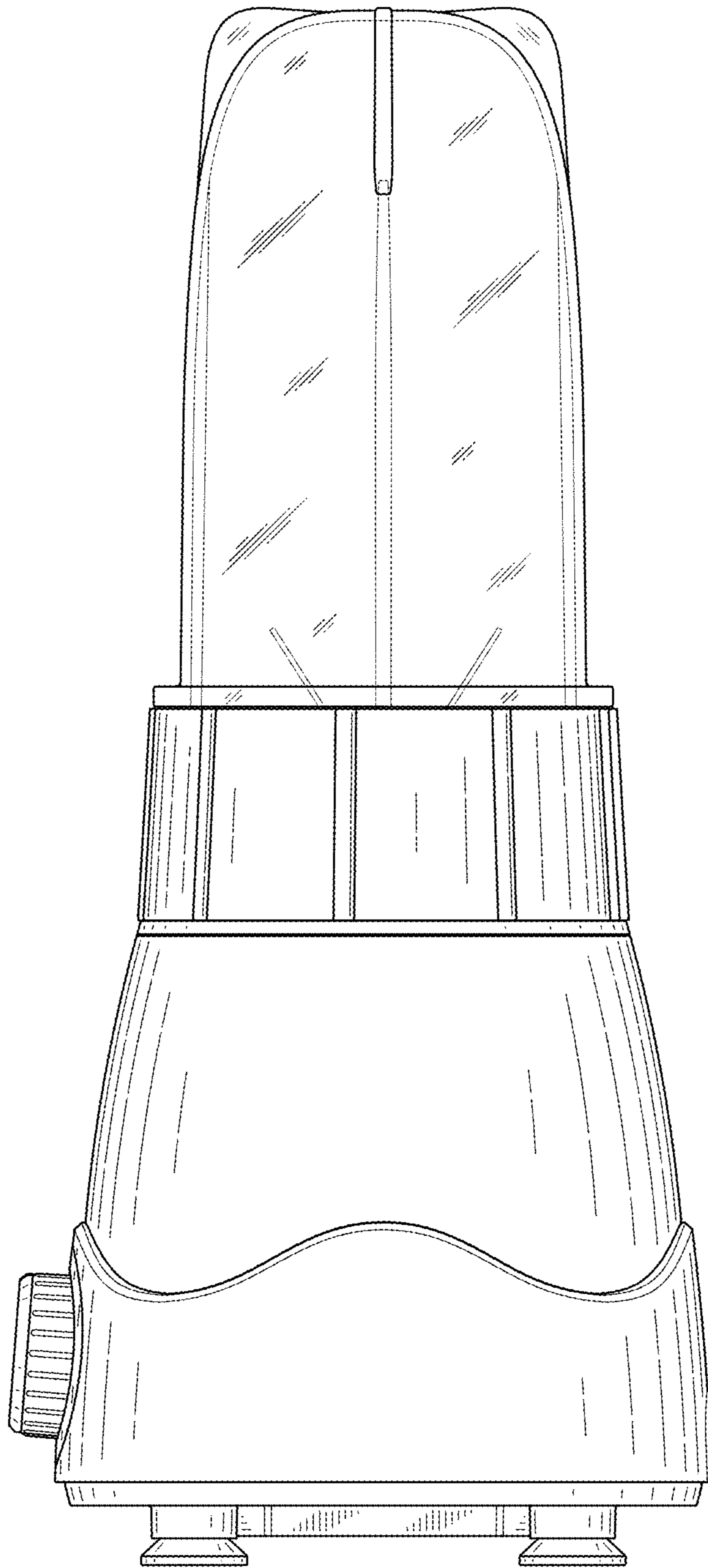


FIG. 6

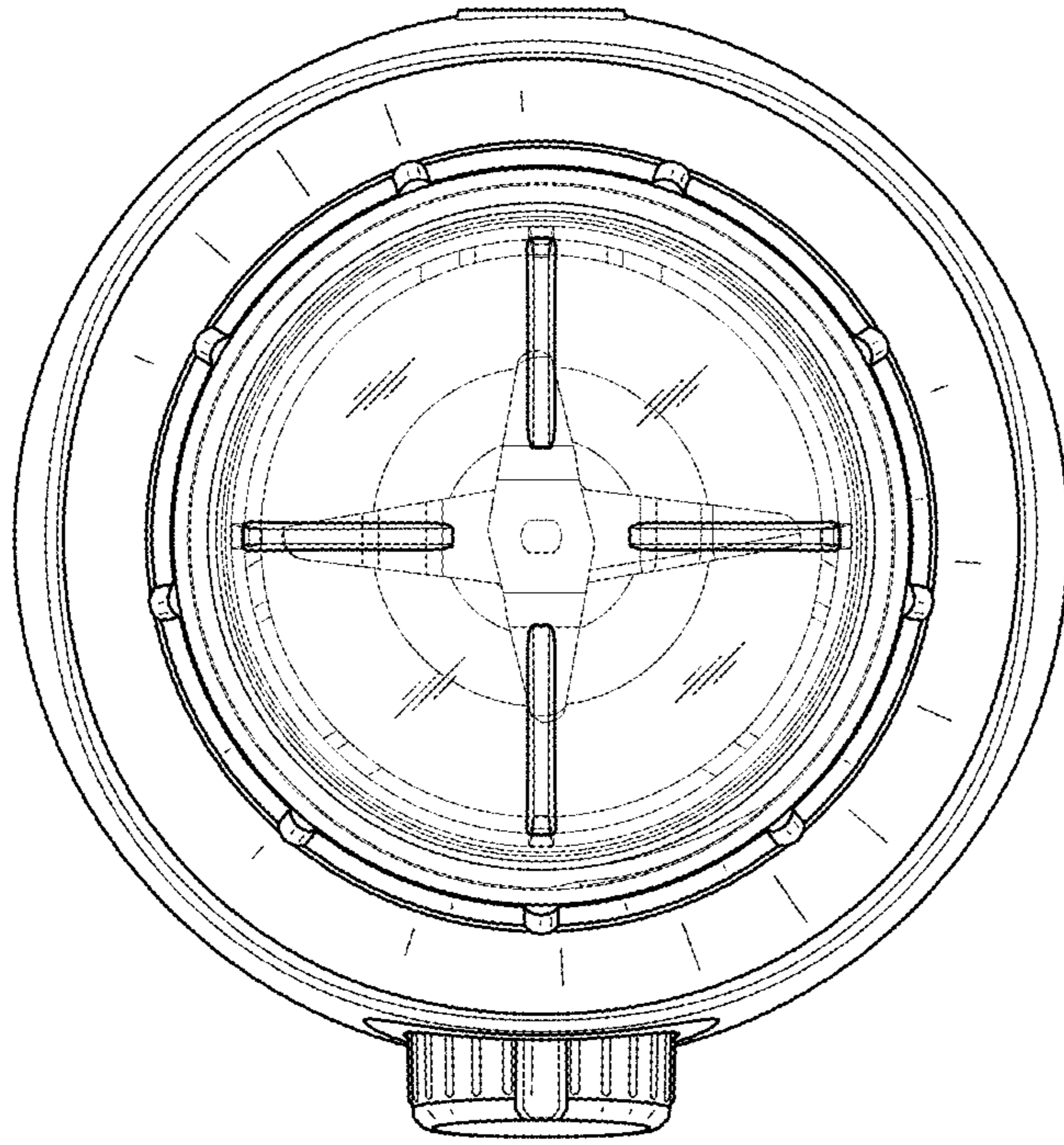


FIG. 7

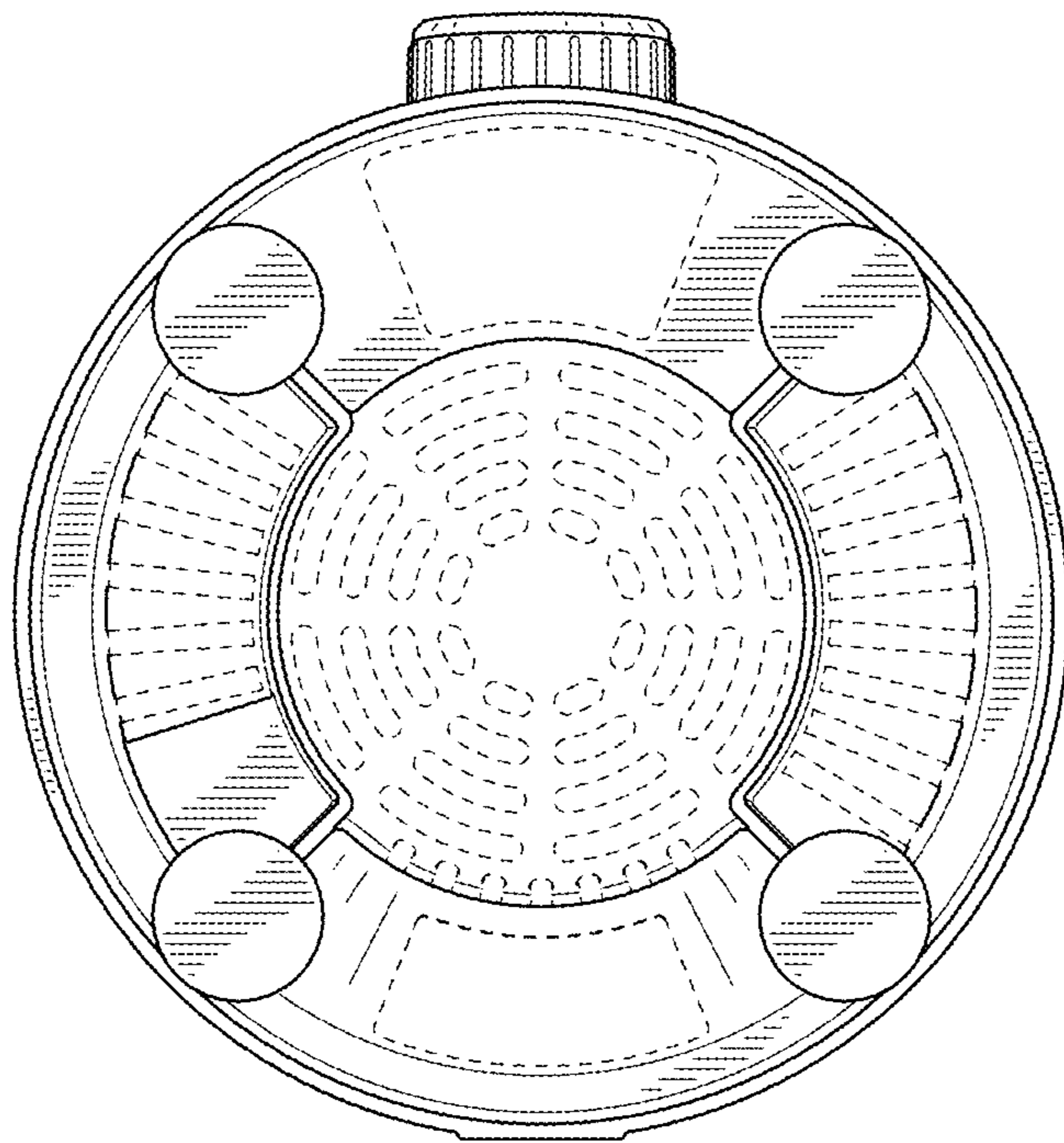


FIG. 8

FIG. 9

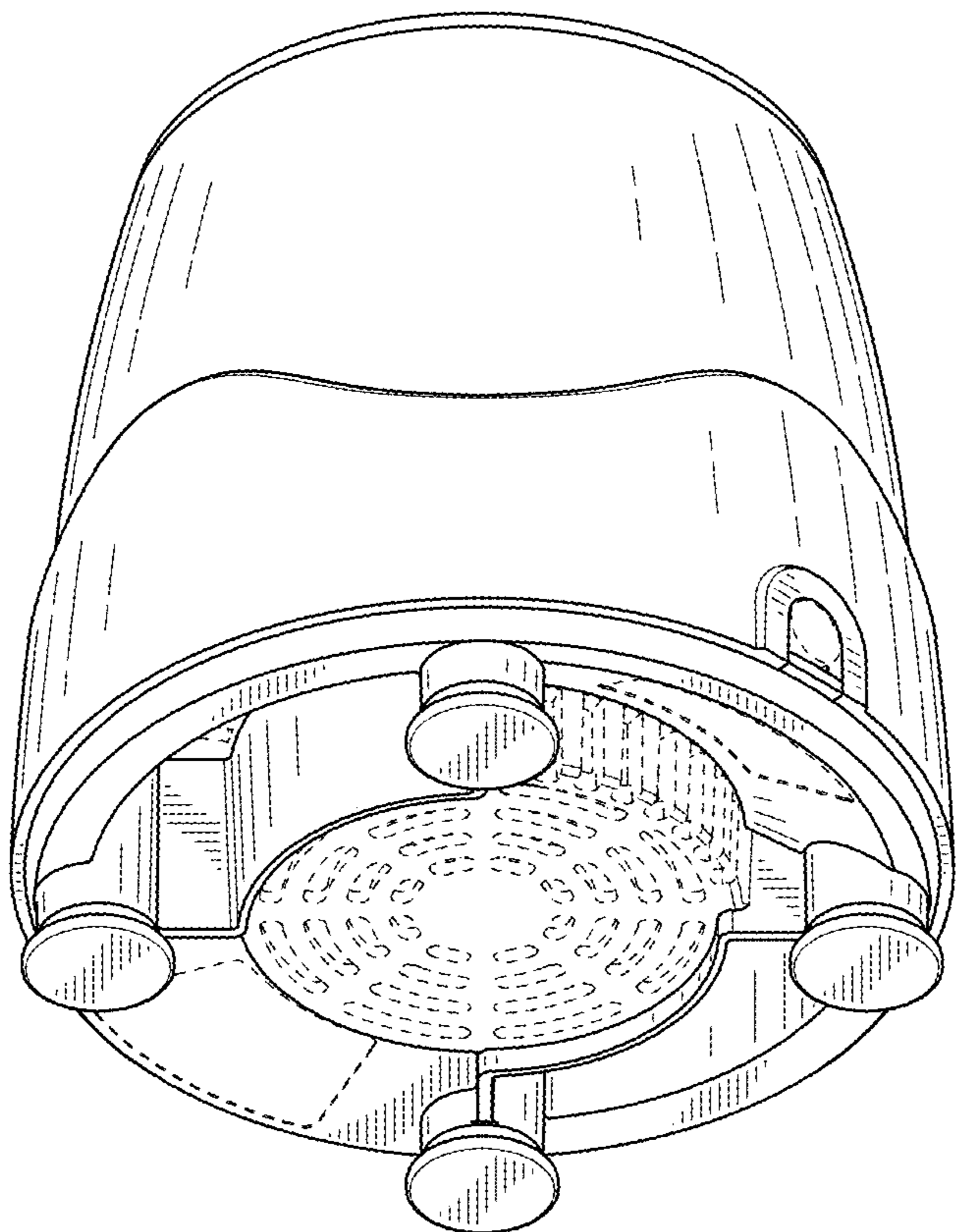
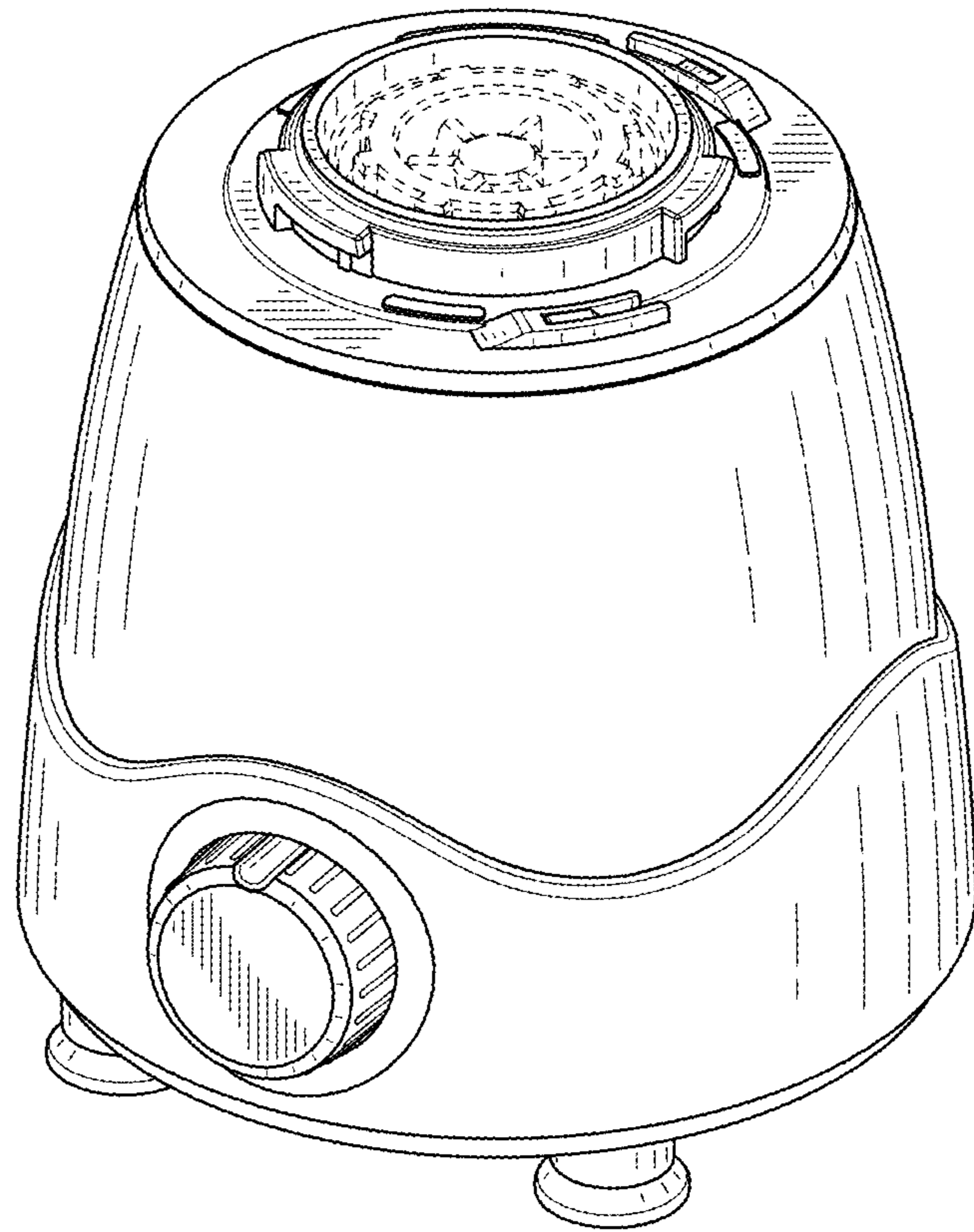


FIG. 10

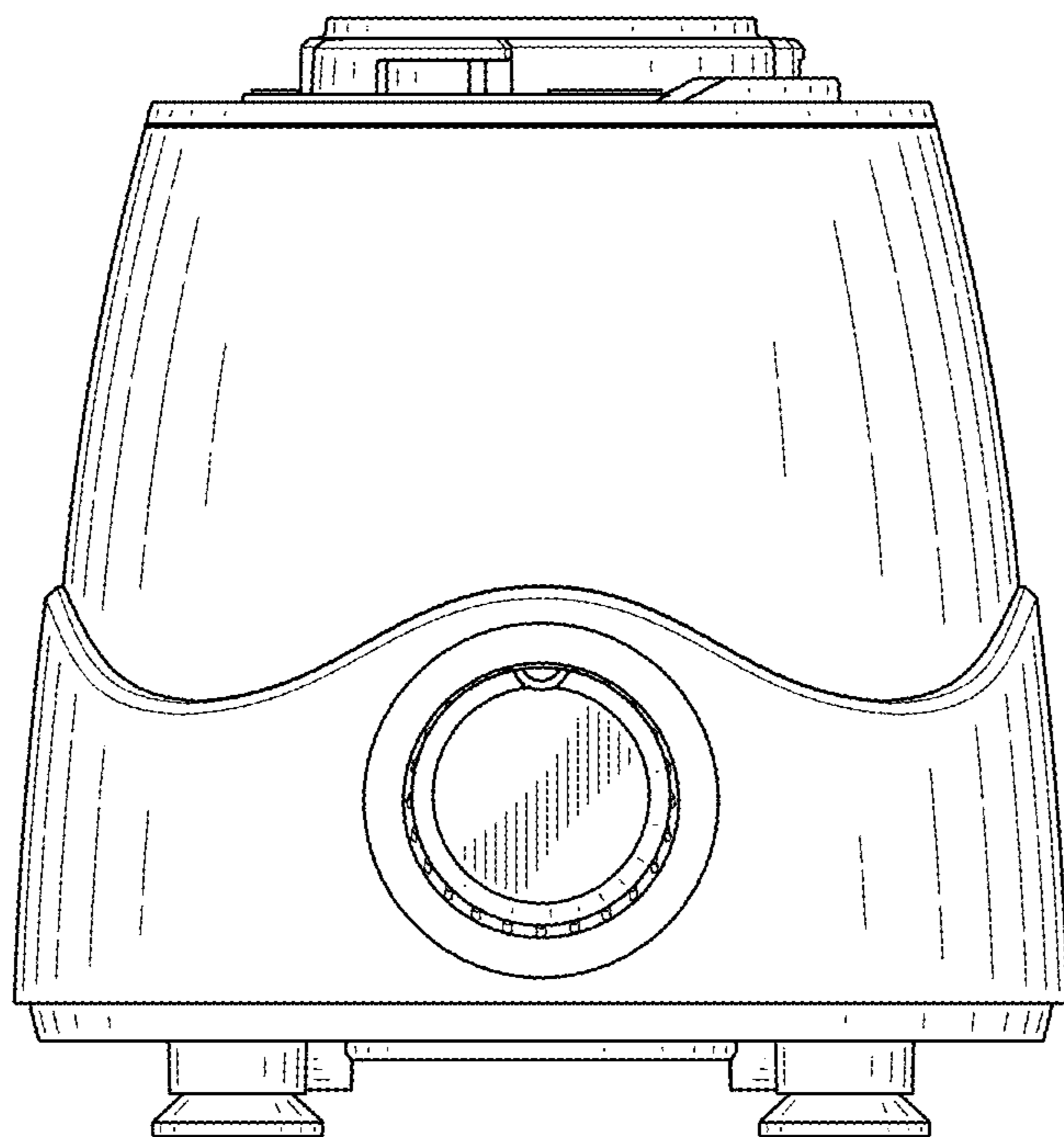


FIG. 11

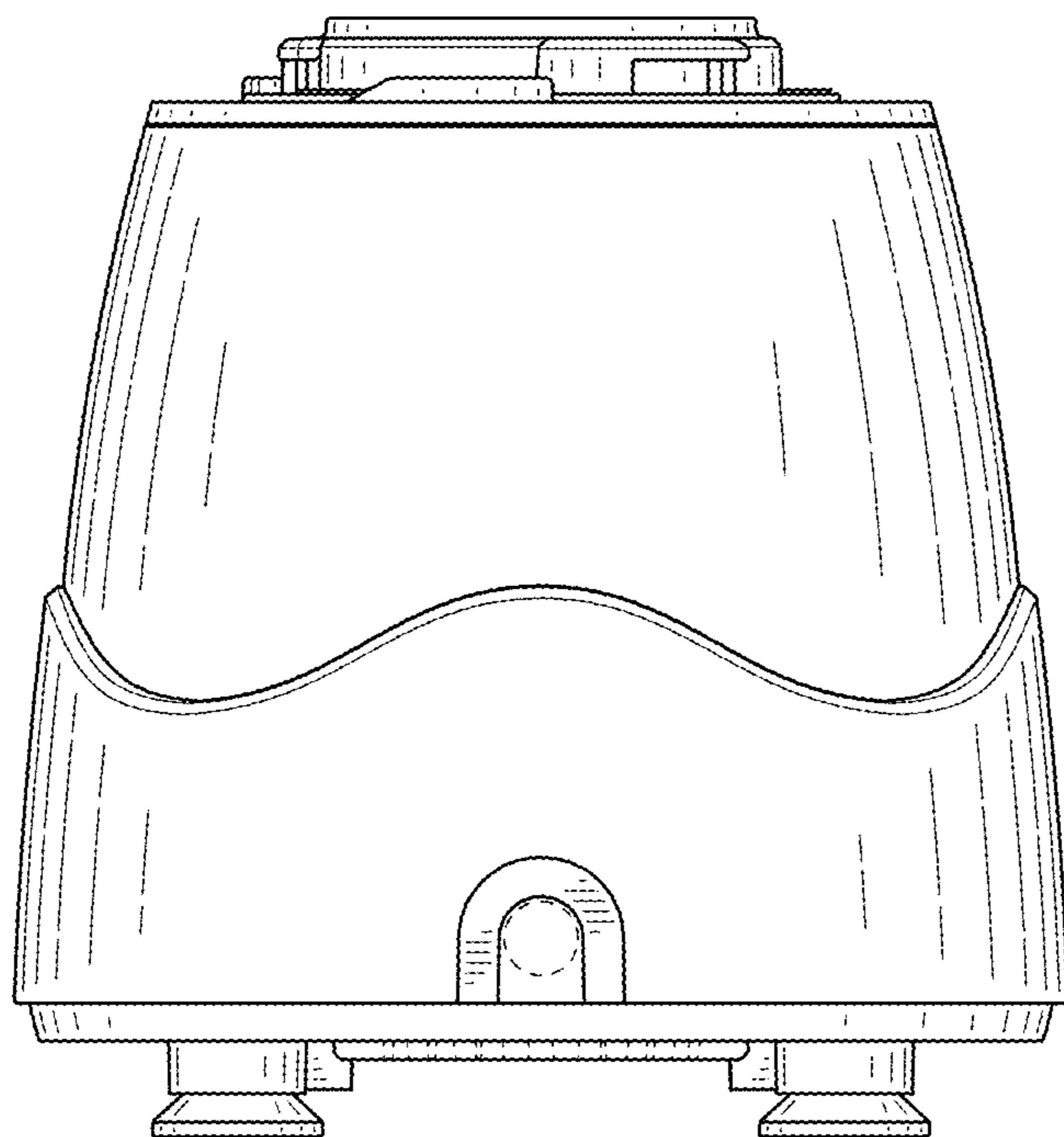


FIG. 12

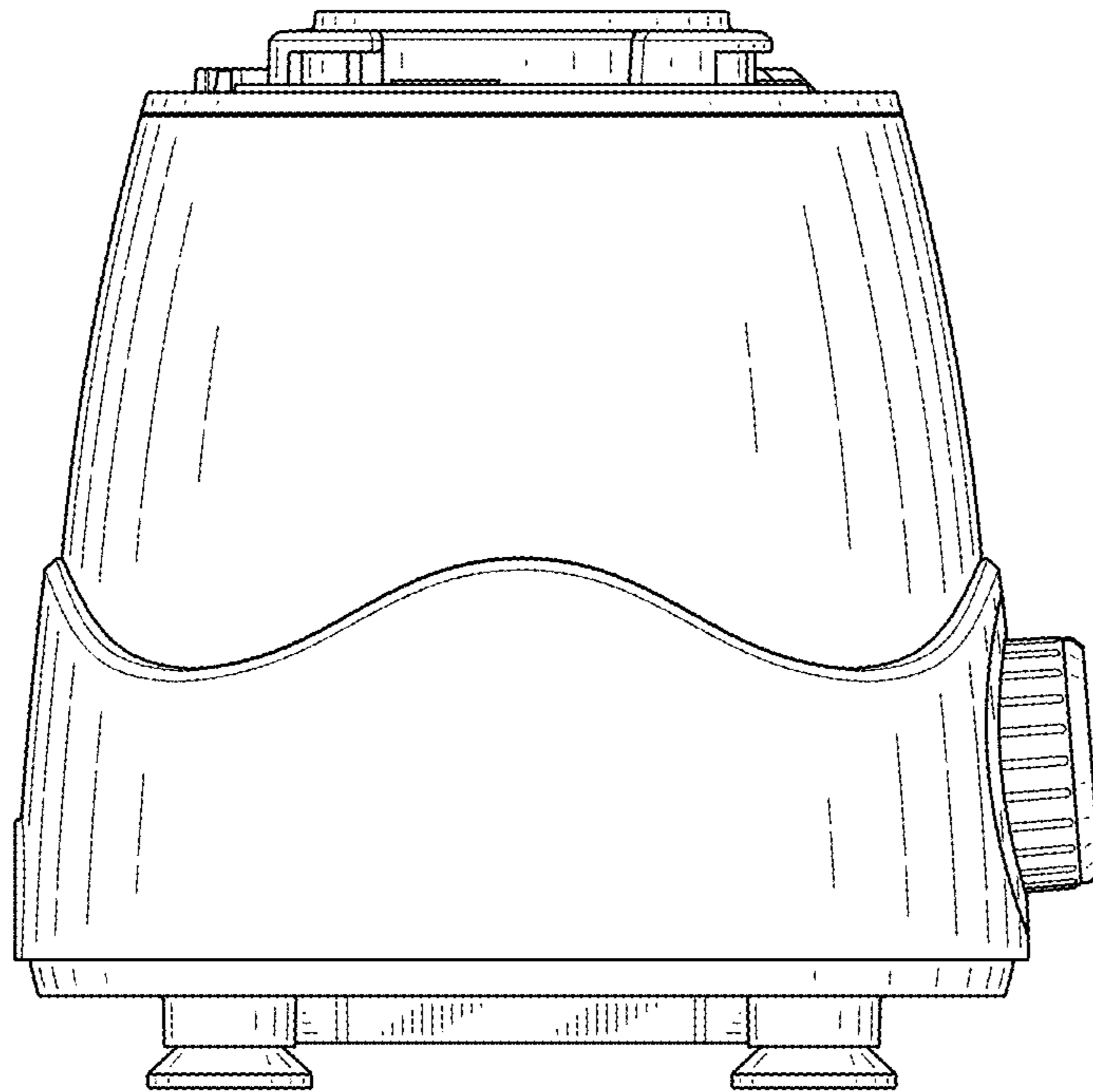


FIG. 13

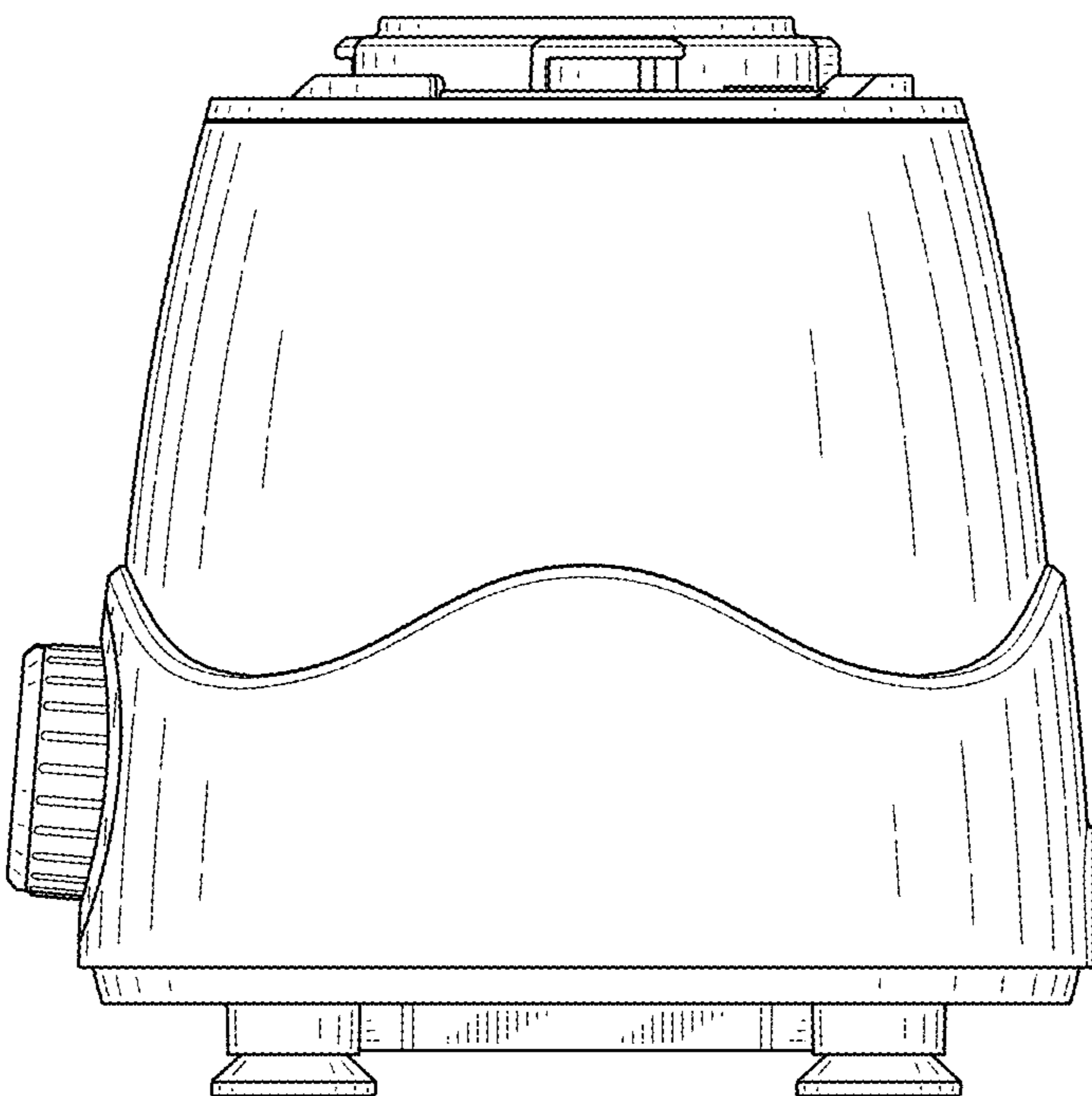


FIG. 14

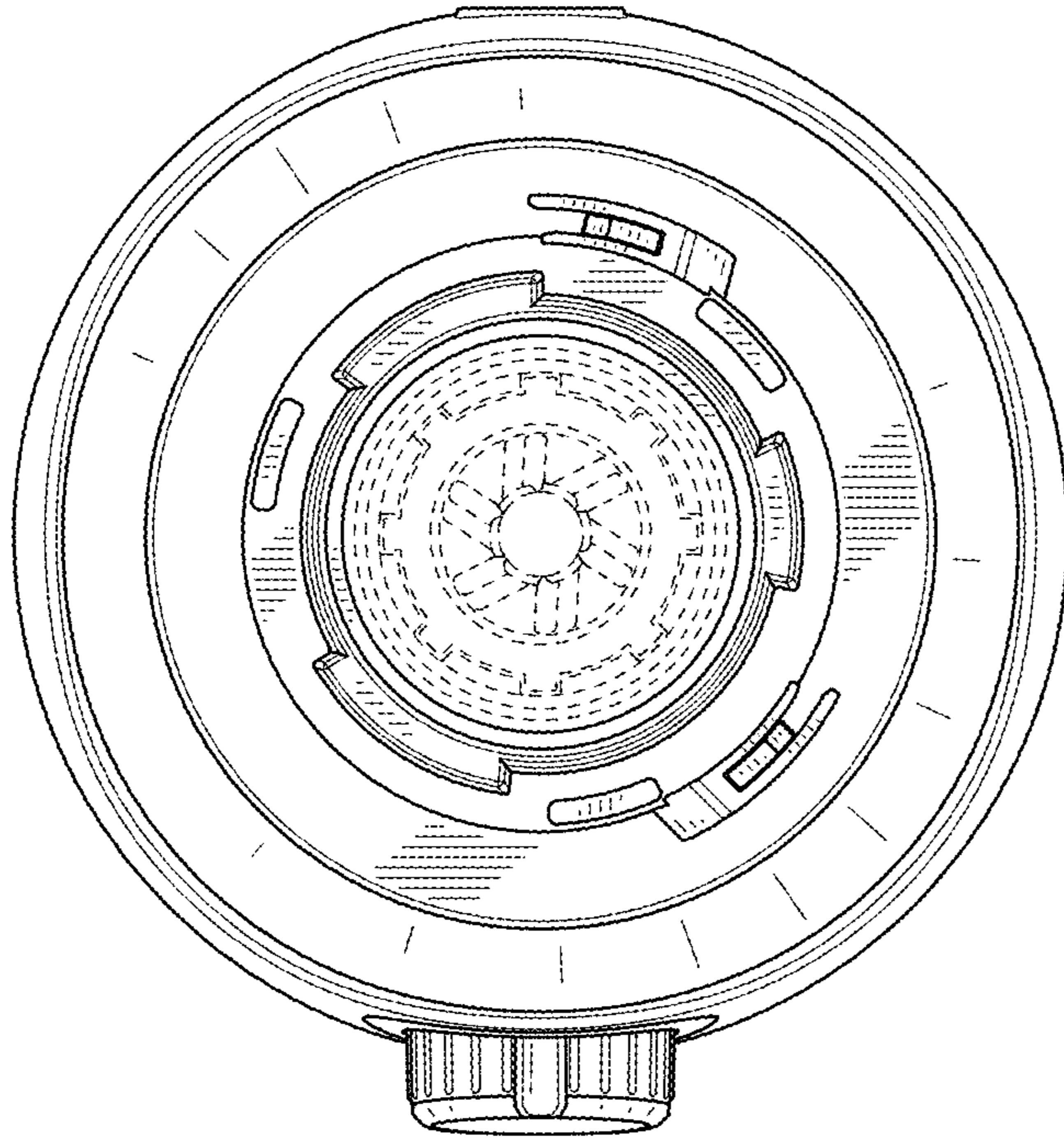


FIG. 15

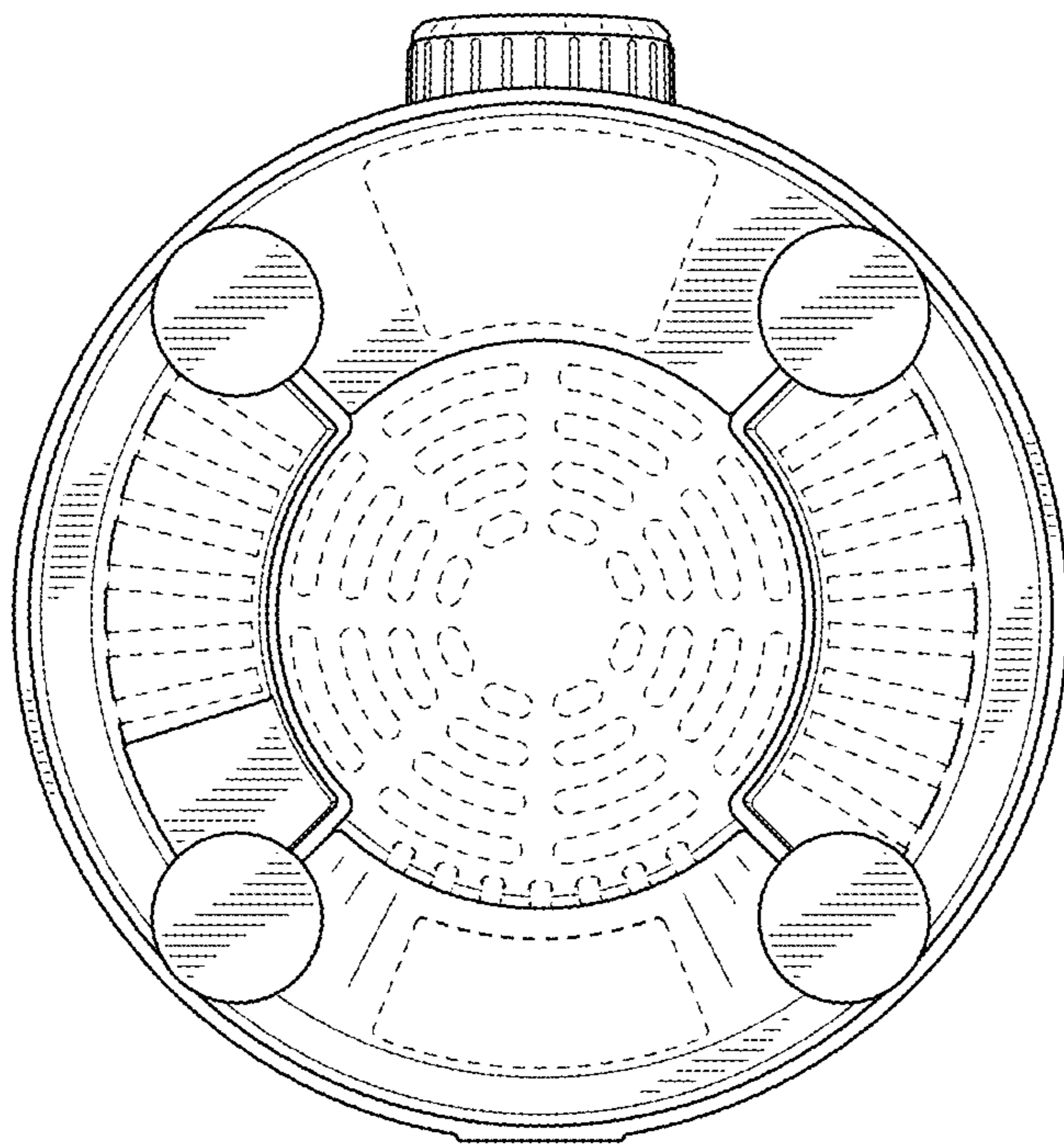


FIG. 16

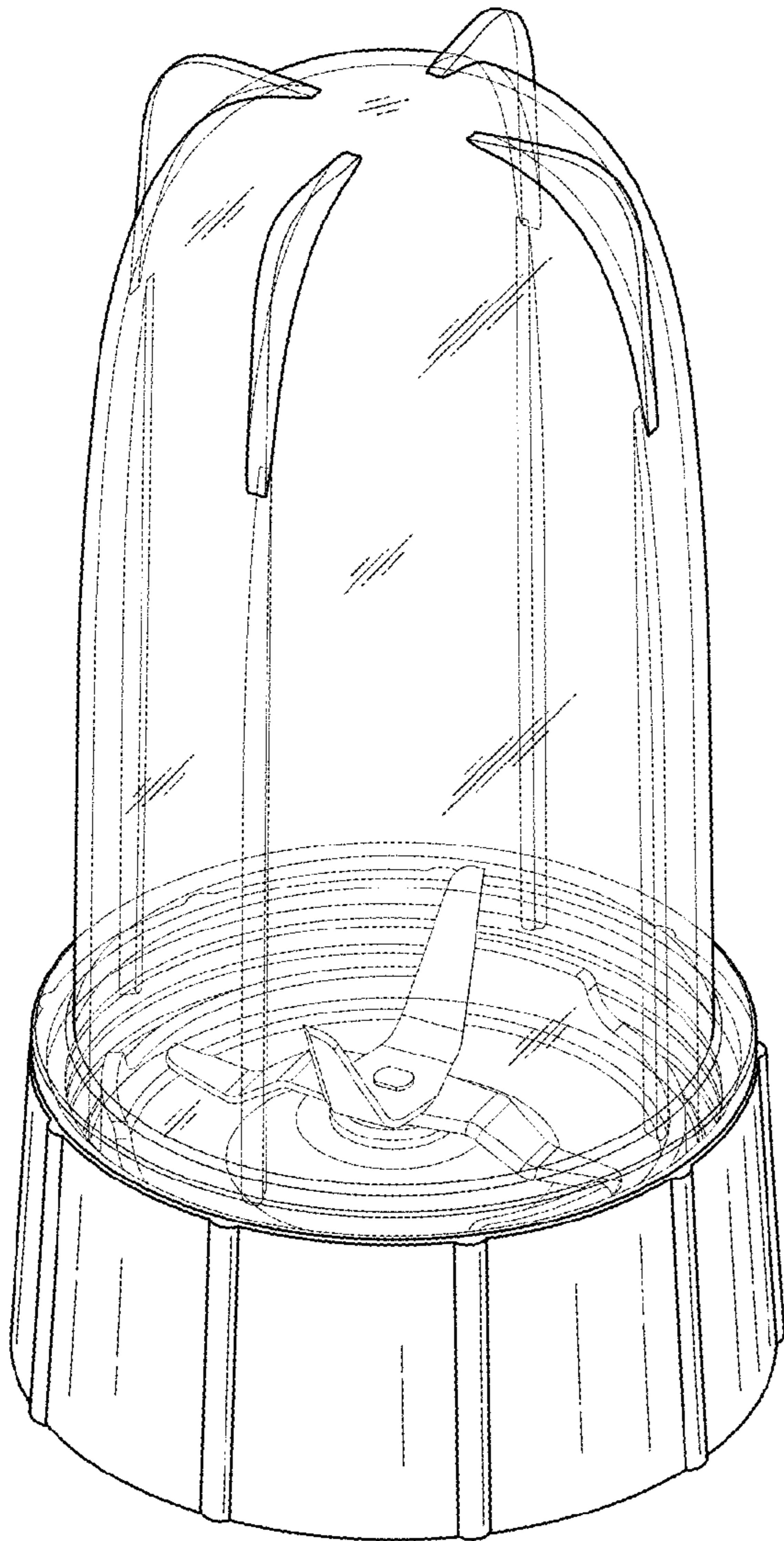


FIG. 17

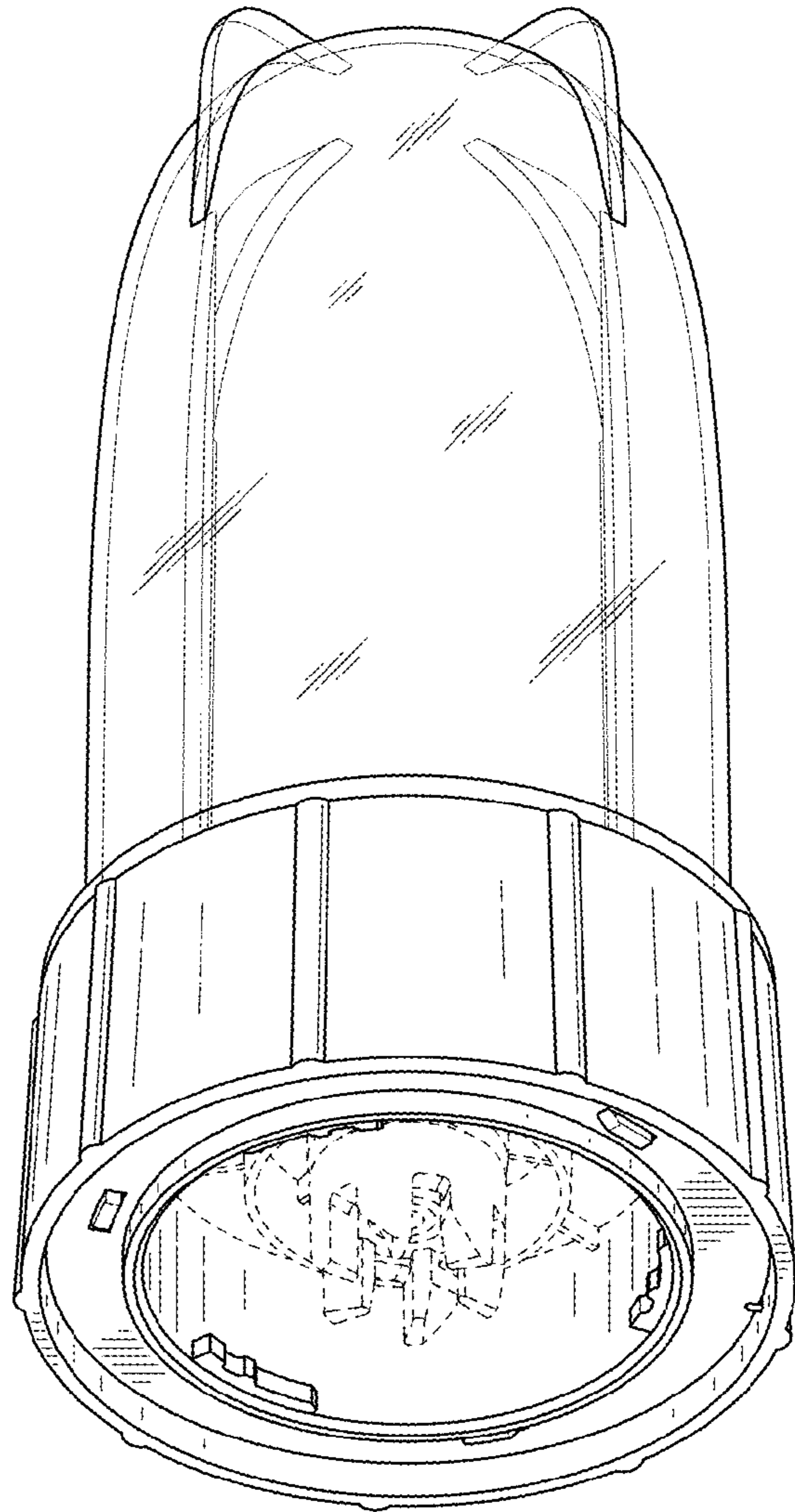


FIG. 18

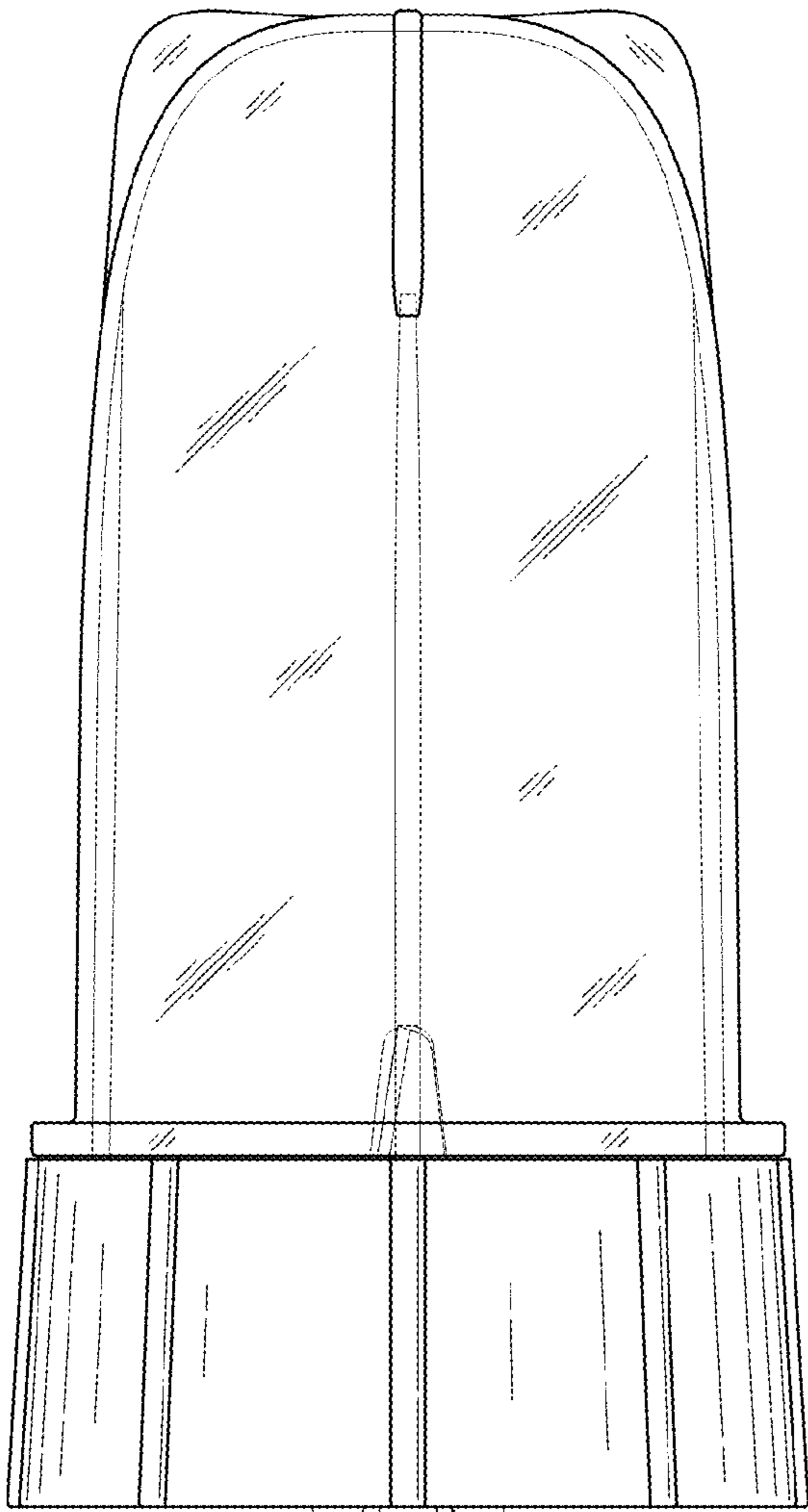


FIG. 19

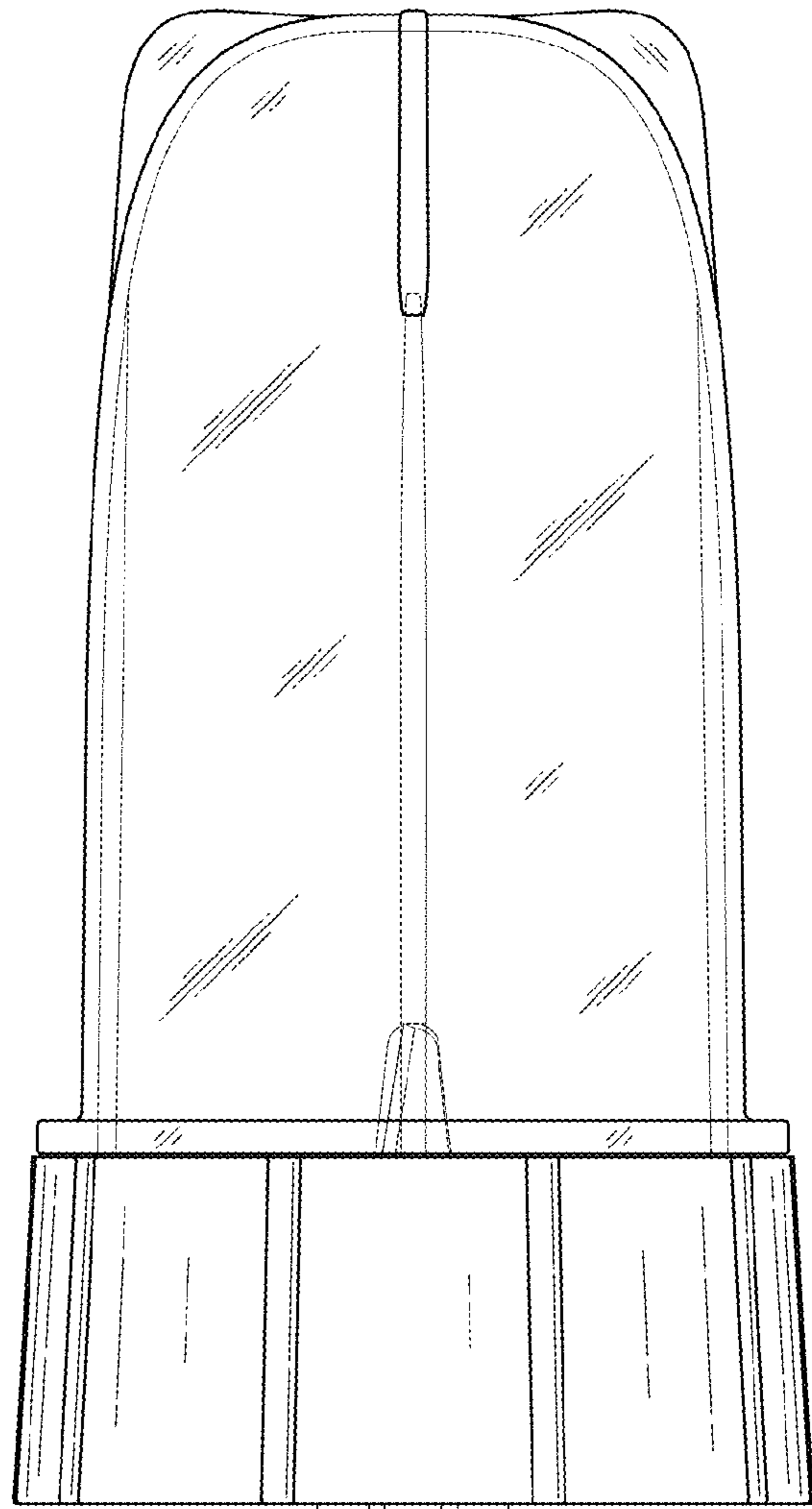


FIG. 20

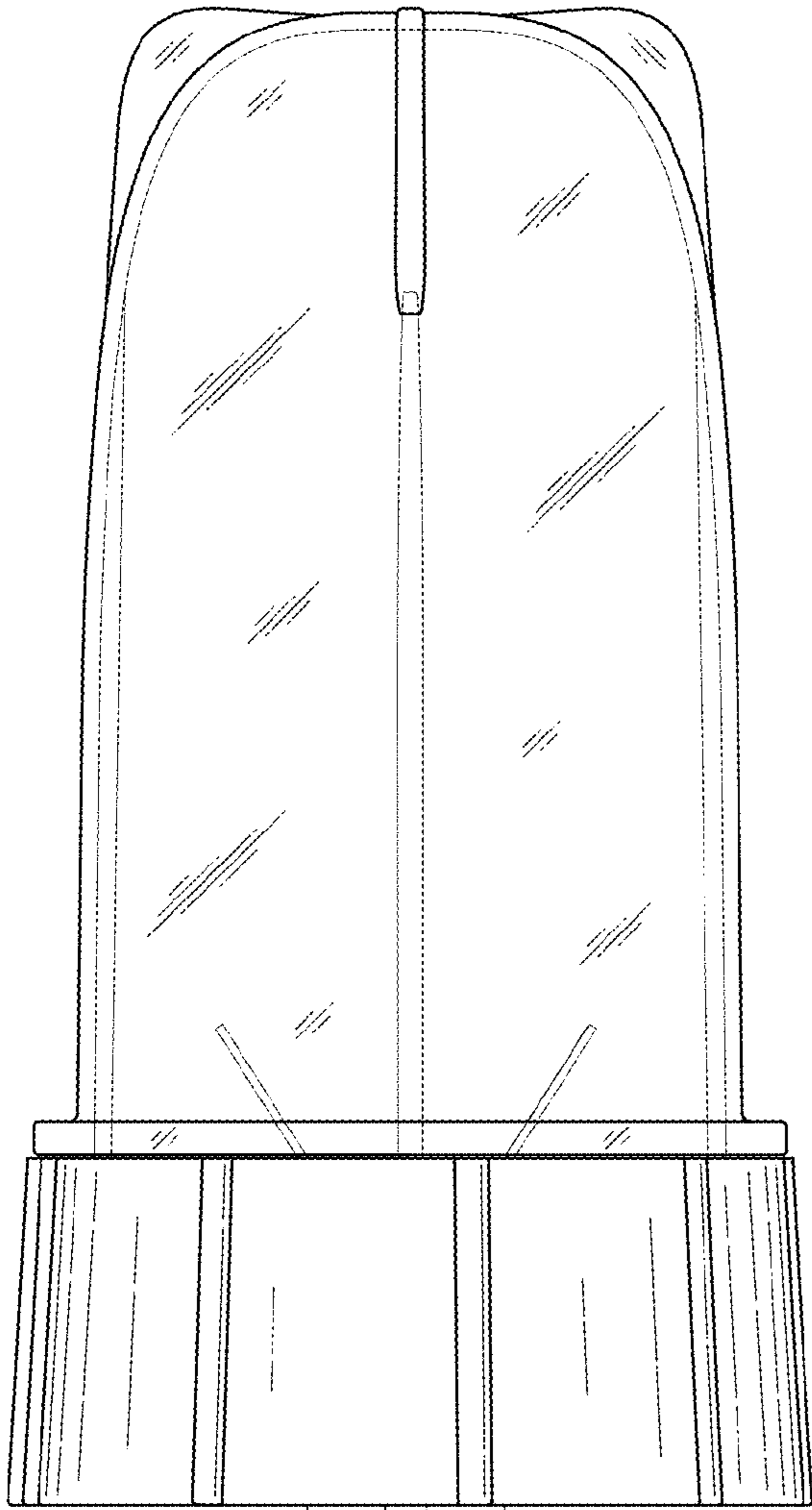


FIG. 21

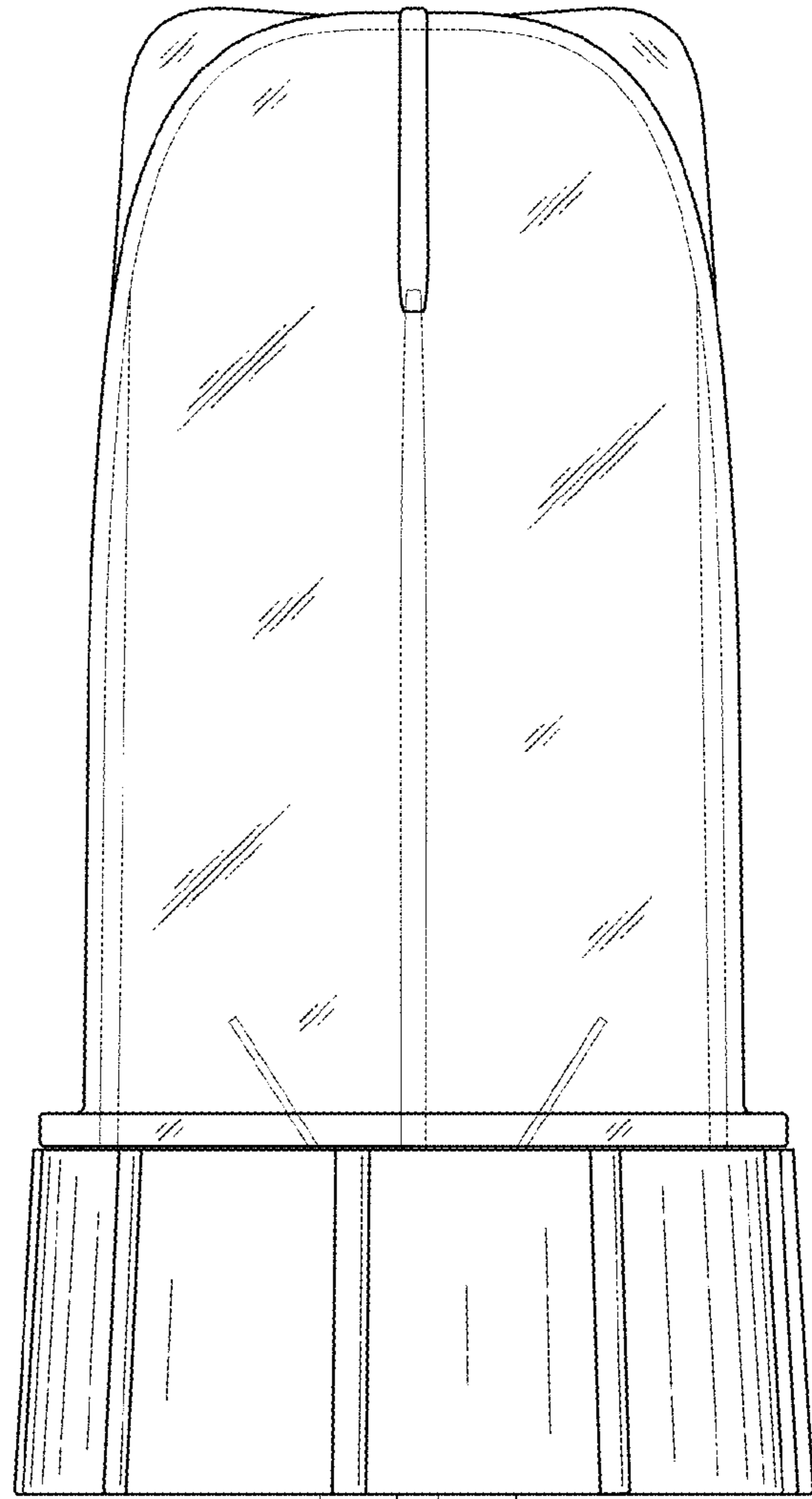


FIG. 22

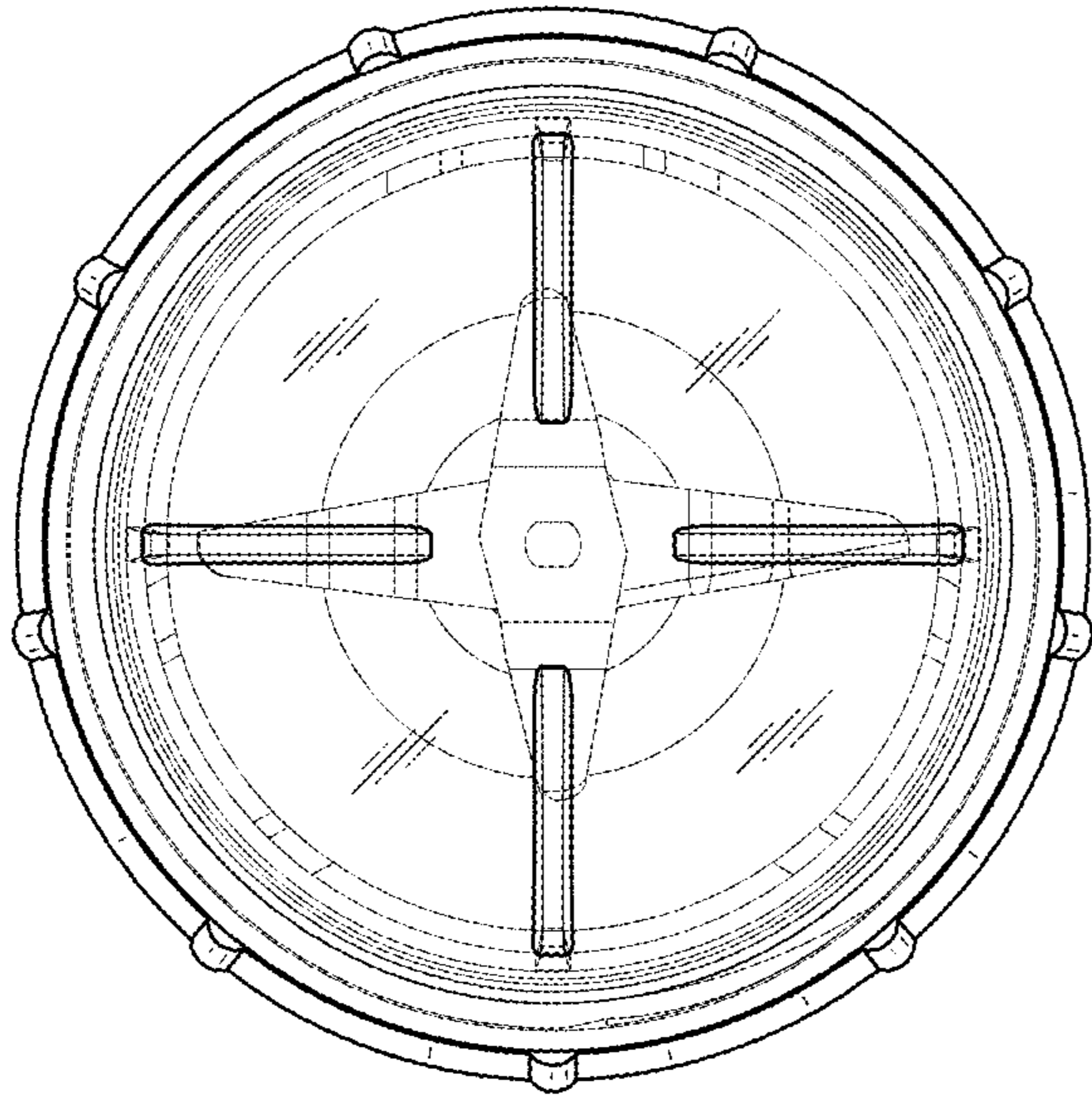


FIG. 23

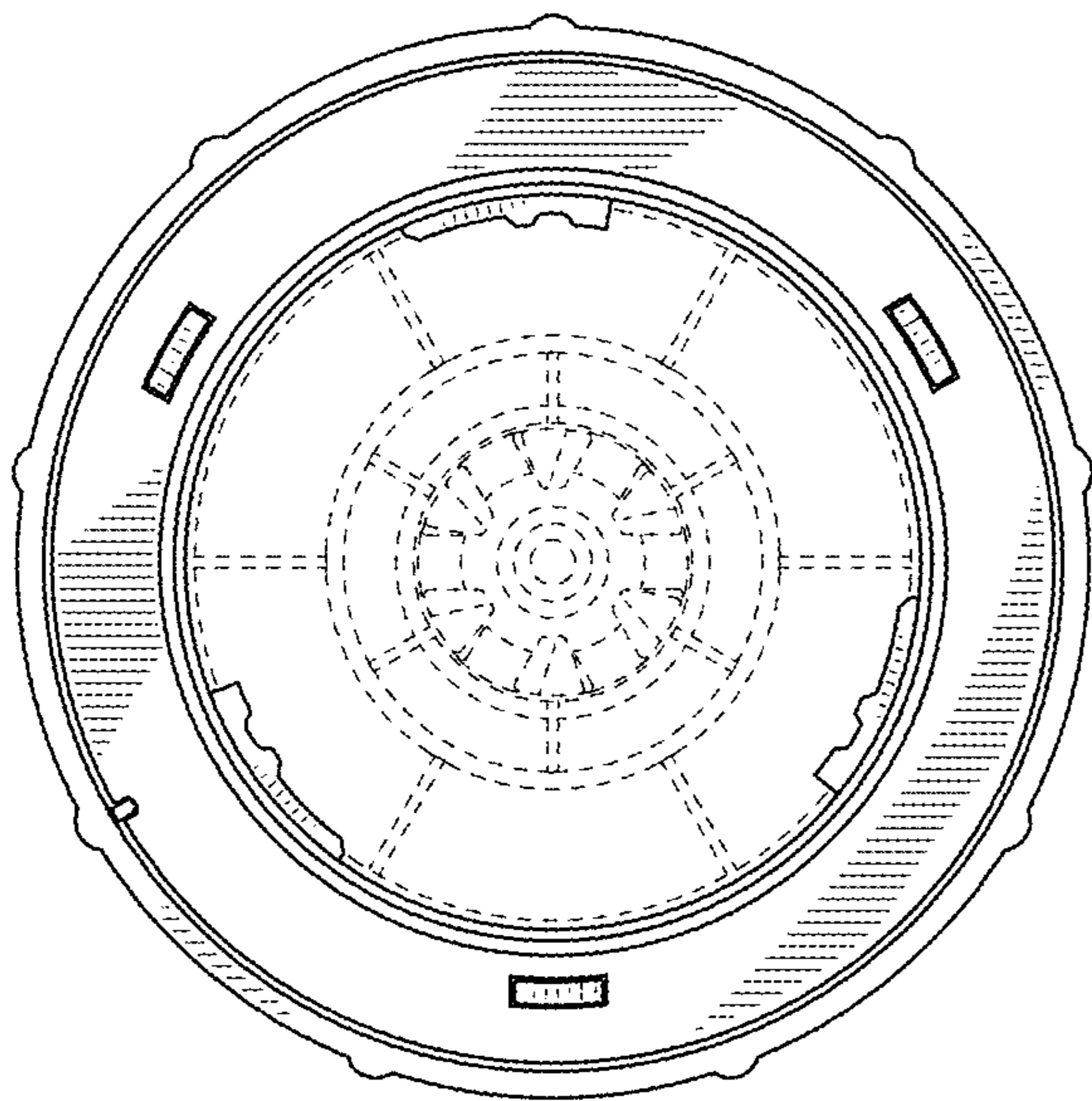


FIG. 24