



US00D889186S

(12) **United States Design Patent** (10) **Patent No.:** **US D889,186 S**  
**Knöll** (45) **Date of Patent:** **\*\* Jul. 7, 2020**

- (54) **COOKTOP**
- (71) Applicant: **BSH Hausgeräte GmbH**, Munich (DE)
- (72) Inventor: **Sebastian Knöll**, Hamburg (DE)
- (73) Assignee: **BSH Hausgeräte GmbH**, Munich (DE)
- (\*\*) Term: **15 Years**
- (21) Appl. No.: **29/639,687**
- (22) Filed: **Mar. 8, 2018**

**Related U.S. Application Data**

- (62) Division of application No. 29/535,234, filed on Aug. 5, 2015, now Pat. No. Des. 814,843, which is a division of application No. 29/497,779, filed on Jul. 29, 2014, now Pat. No. Des. 741,103, which is a division of application No. 29/488,747, filed on Apr. 23, 2014, now Pat. No. Des. 715,587, which is a division of application No. 29/475,657, filed on Dec. 5, 2013, now Pat. No. Des. 710,142, which is a division of application No. 29/431,754, filed on Sep. 11, 2012, now Pat. No. Des. 697,749.

(51) **LOC (12) Cl.** ..... **07-02**

(52) **U.S. Cl.**  
USPC ..... **D7/346**

(58) **Field of Classification Search**  
USPC ..... D7/323, 328-330, 339-349, 390,  
D7/402-407; D8/300-306

CPC ... A21B 2/00; A47J 37/00; A47J 37/06; A47J  
37/0611; A47J 37/08; A47J 37/0807;  
A47J 37/0814; A47J 37/0835; A47J  
37/0842; A47J 37/085; A47J 37/0864;  
A47J 37/0878; A47J 37/0885; A47J  
37/0892; F24C 7/00; F24C 7/002; F24C  
7/046; F24C 7/067; F24C 15/02; F24C  
15/04; F24C 15/10; F24C 15/14; F24C  
15/102

See application file for complete search history.

(56) **References Cited**

U.S. PATENT DOCUMENTS

4,264,805	A *	4/1981	Traut .....	F24C 15/102 219/452.12
D276,492	S *	11/1984	Sasaki .....	D7/346
6,263,869	B1 *	7/2001	Abernethy .....	F24C 15/14 126/211
D511,927	S *	11/2005	Grutzke .....	D7/346
D542,597	S *	5/2007	Huxhold .....	D7/407
D697,749	S *	1/2014	Knoll .....	D7/346
D710,142	S *	8/2014	Knoll .....	D7/346
D778,100	S *	2/2017	Kim .....	D7/346
D778,102	S *	2/2017	Spurrier .....	D7/346
D814,843	S *	4/2018	Knöll .....	D7/346
D833,798	S *	11/2018	Chung .....	D7/346
D858,171	S *	9/2019	Kim .....	D7/346

\* cited by examiner

*Primary Examiner* — Ricky Pham

(74) *Attorney, Agent, or Firm* — Michael E. Tschupp;  
Andre Pallapies; Brandon G. Braun

(57) **CLAIM**

The ornamental design for a cooktop, as shown and described.

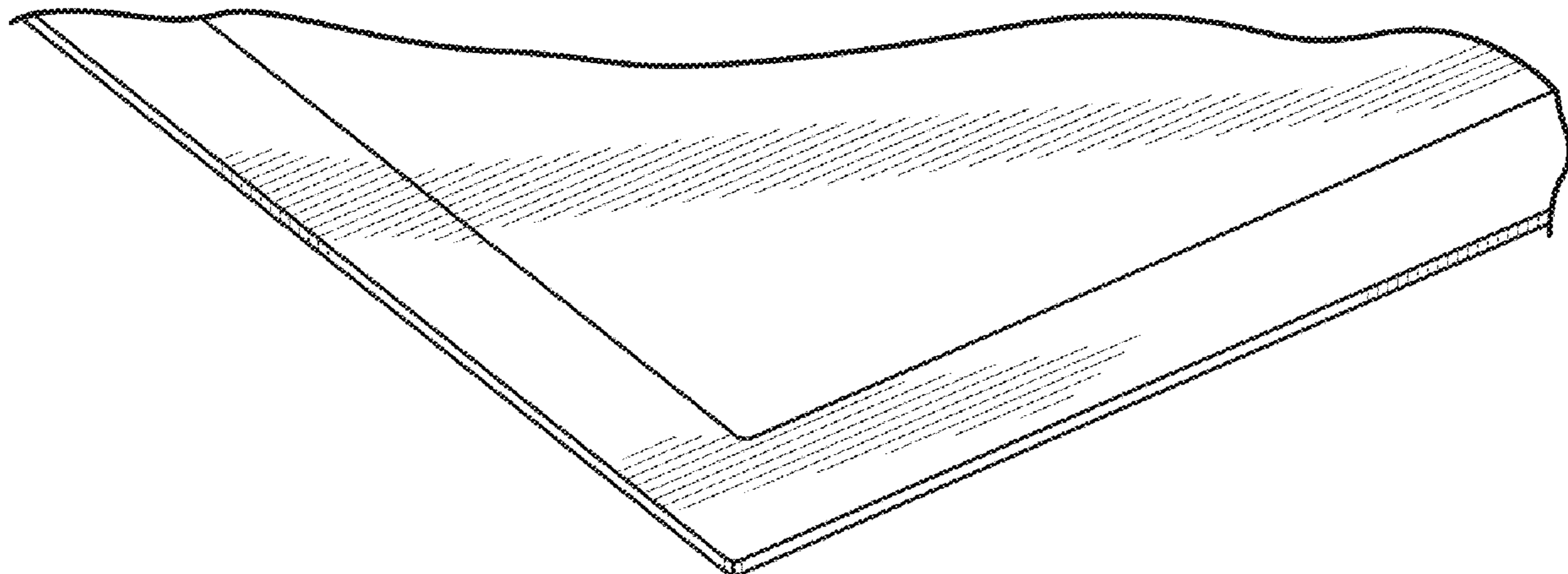
**DESCRIPTION**

FIG. 1 is a front perspective view of a portion of a cooktop according to a first embodiment showing my new ornamental design;

FIG. 2 is a front perspective view of a portion of a cooktop according to a second embodiment showing my new ornamental design; and,

FIG. 3 is a reverse perspective view thereof.

**1 Claim, 1 Drawing Sheet**



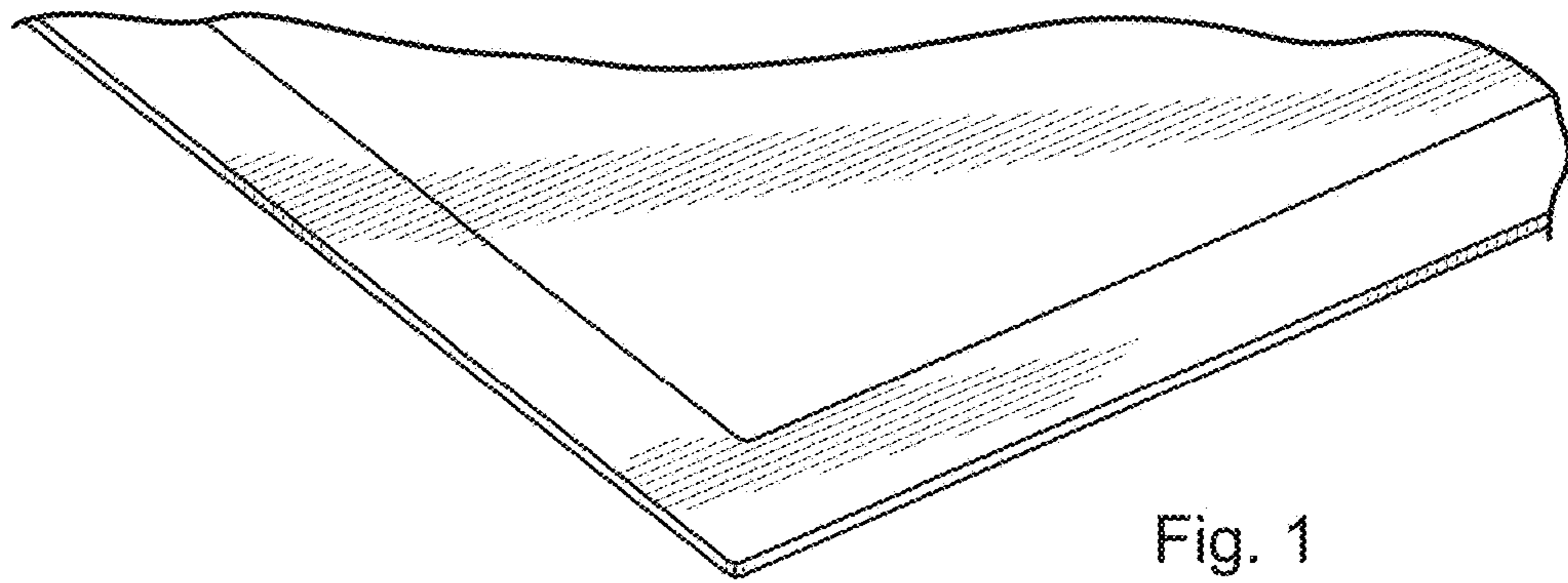


Fig. 1

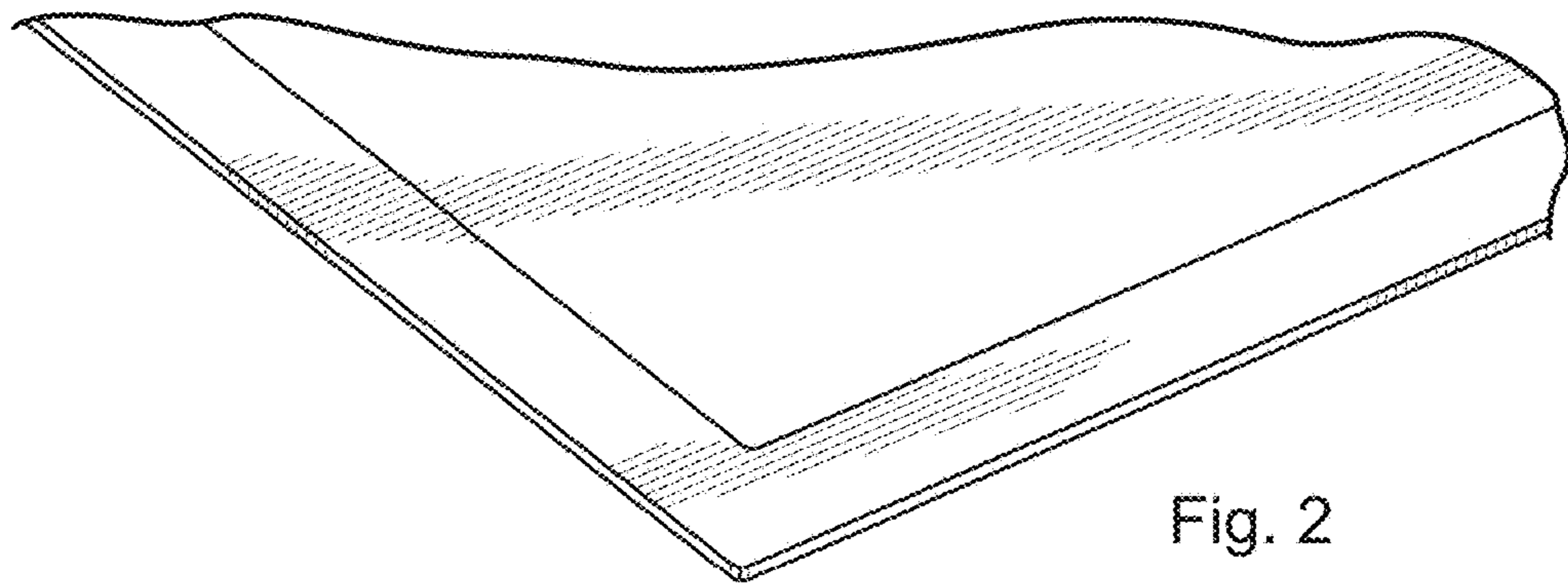


Fig. 2

Fig. 3

