



US00D889181S

(12) **United States Design Patent**
Watts

(10) **Patent No.:** **US D889,181 S**

(45) **Date of Patent:** **** Jul. 7, 2020**

- (54) **LIQUID DISPENSING DEVICE**
- (71) Applicant: **Larz Dean Watts**, San Diego, CA (US)
- (72) Inventor: **Larz Dean Watts**, San Diego, CA (US)
- (**) Term: **15 Years**
- (21) Appl. No.: **29/679,394**
- (22) Filed: **Feb. 5, 2019**
- (51) **LOC (12) Cl.** **07-01**
- (52) **U.S. Cl.**
USPC **D7/313; D7/306**
- (58) **Field of Classification Search**
USPC D7/300, 312, 313, 306, 397, 398;
220/666
CPC B65D 21/086; A61J 1/05; B67D 1/0832
See application file for complete search history.

6,105,825 A *	8/2000	Gomi	B67D 1/0832	222/146.6
D478,460 S *	8/2003	Chiu	D7/306	
D495,914 S *	9/2004	Drolette, Jr.	D7/306	
D644,471 S *	9/2011	Fiori	D7/306	
D694,055 S *	11/2013	Hirst	D7/306	
9,771,252 B2 *	9/2017	Hunter	B67D 1/0009	
D833,195 S *	11/2018	McDonald	D7/306	
10,322,923 B2 *	6/2019	Huang	B67D 1/0406	
D862,979 S *	10/2019	Bryson	D7/397	
2009/0094561 A1 *	4/2009	Do	G06F 3/0425	715/863

* cited by examiner

Primary Examiner — Marianne N Pandozzi
(74) *Attorney, Agent, or Firm* — Eric Hanscom

(57) **CLAIM**

The ornamental design for a liquid dispensing device, as shown and described.

(56) **References Cited**

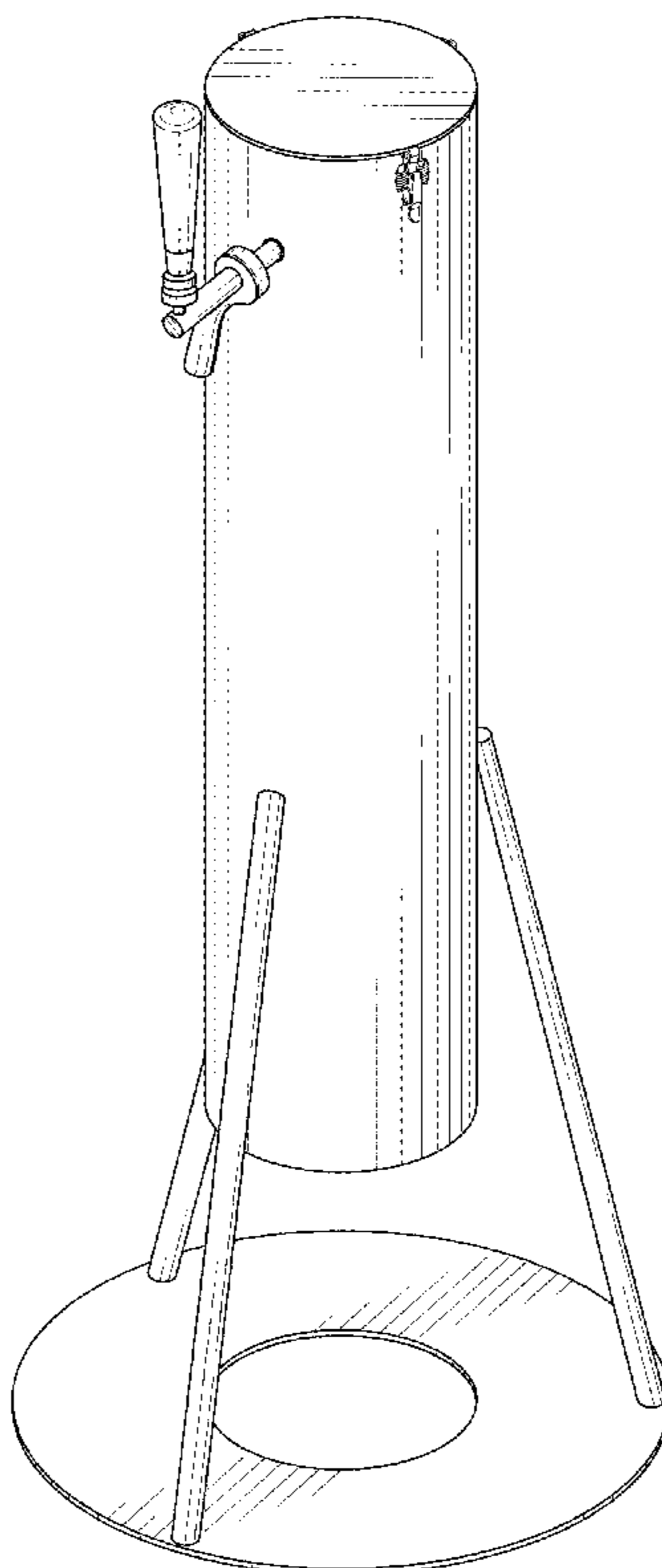
U.S. PATENT DOCUMENTS

3,355,068 A *	11/1967	Harland	B67D 1/1466	222/30
4,674,296 A *	6/1987	Renaud	B67D 1/0861	62/389
5,129,552 A *	7/1992	Painchaud	B67D 1/06	222/146.6
D356,713 S *	3/1995	Groover	D7/306	
5,564,602 A *	10/1996	Cleland	F25D 17/02	222/146.6
5,619,905 A *	4/1997	Wu	A47G 23/04	126/358.1
D412,262 S *	7/1999	Roundtree	D7/307	

DESCRIPTION

FIG. 1 is a perspective exploded view of a liquid dispensing device showing my new design;
FIG. 2 is a front view thereof;
FIG. 3 is a back view thereof;
FIG. 4 is a left-side view thereof;
FIG. 5 is a right-side view thereof;
FIG. 6 is a top view thereof; and,
FIG. 7 is a bottom view thereof.

1 Claim, 7 Drawing Sheets



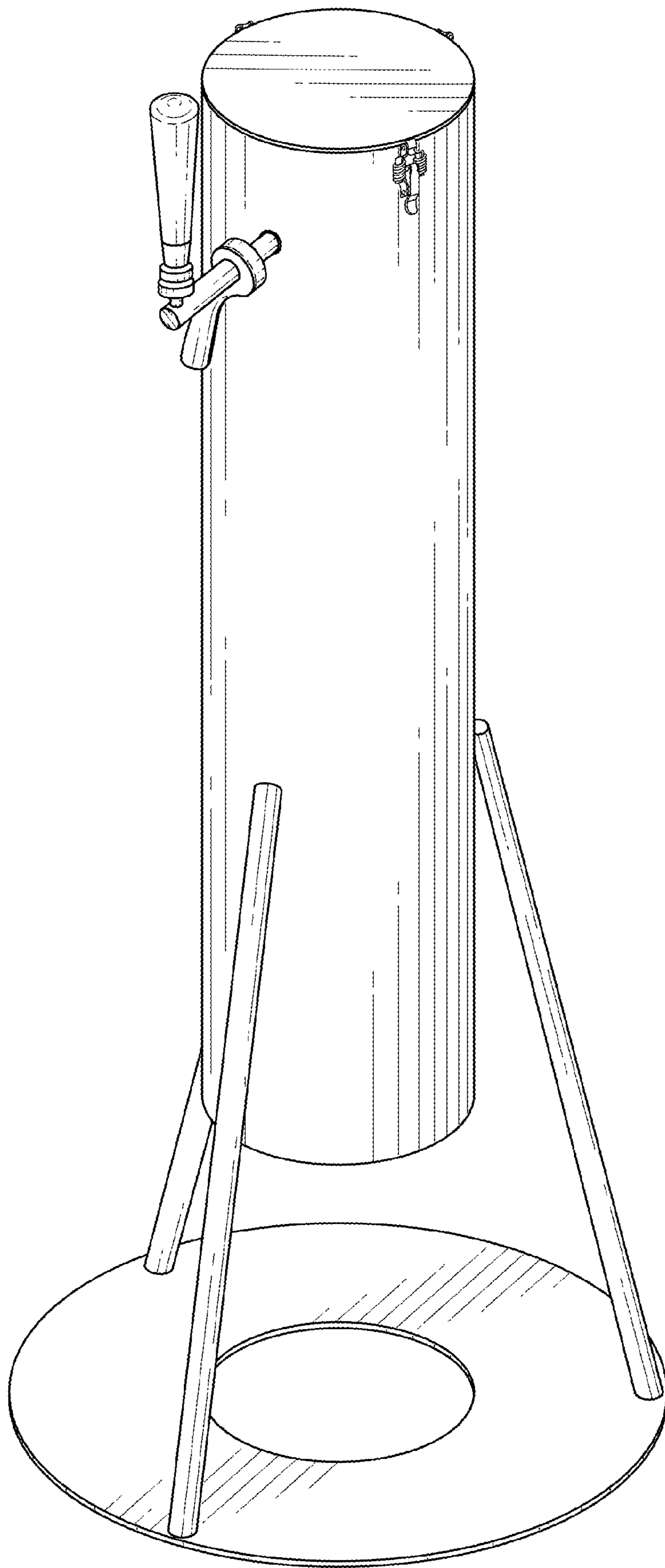


FIG. 1

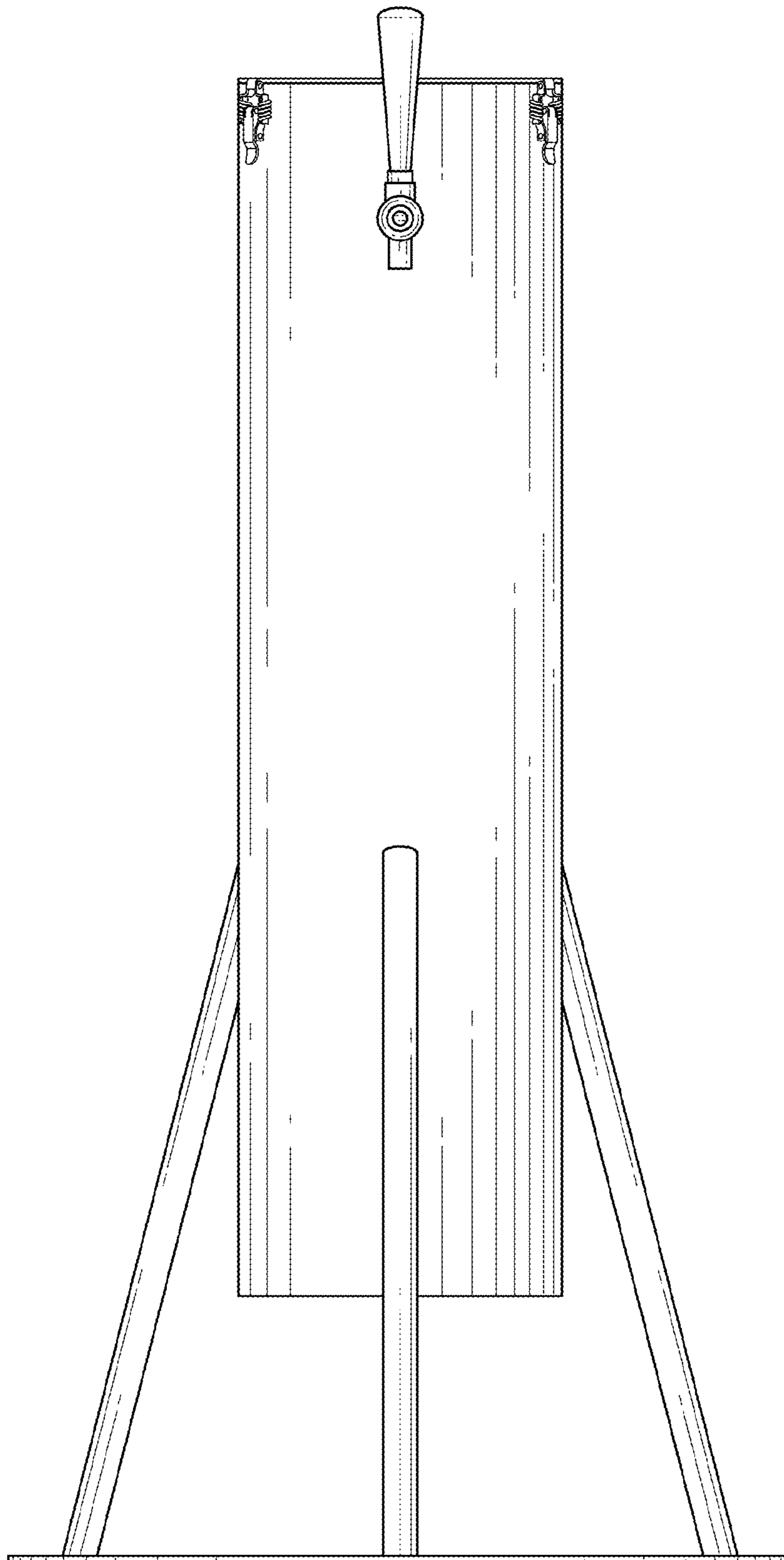


FIG. 2

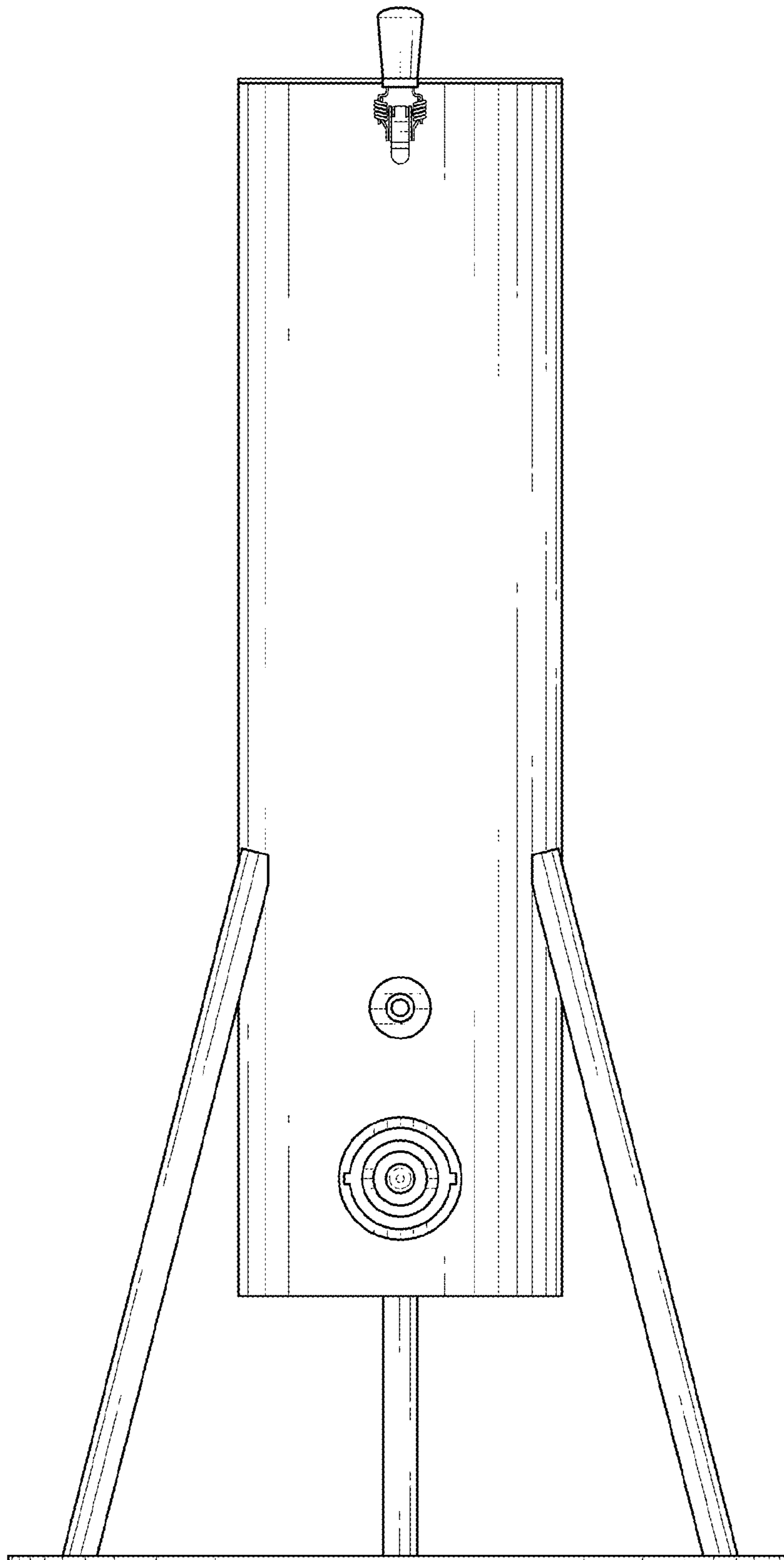


FIG. 3

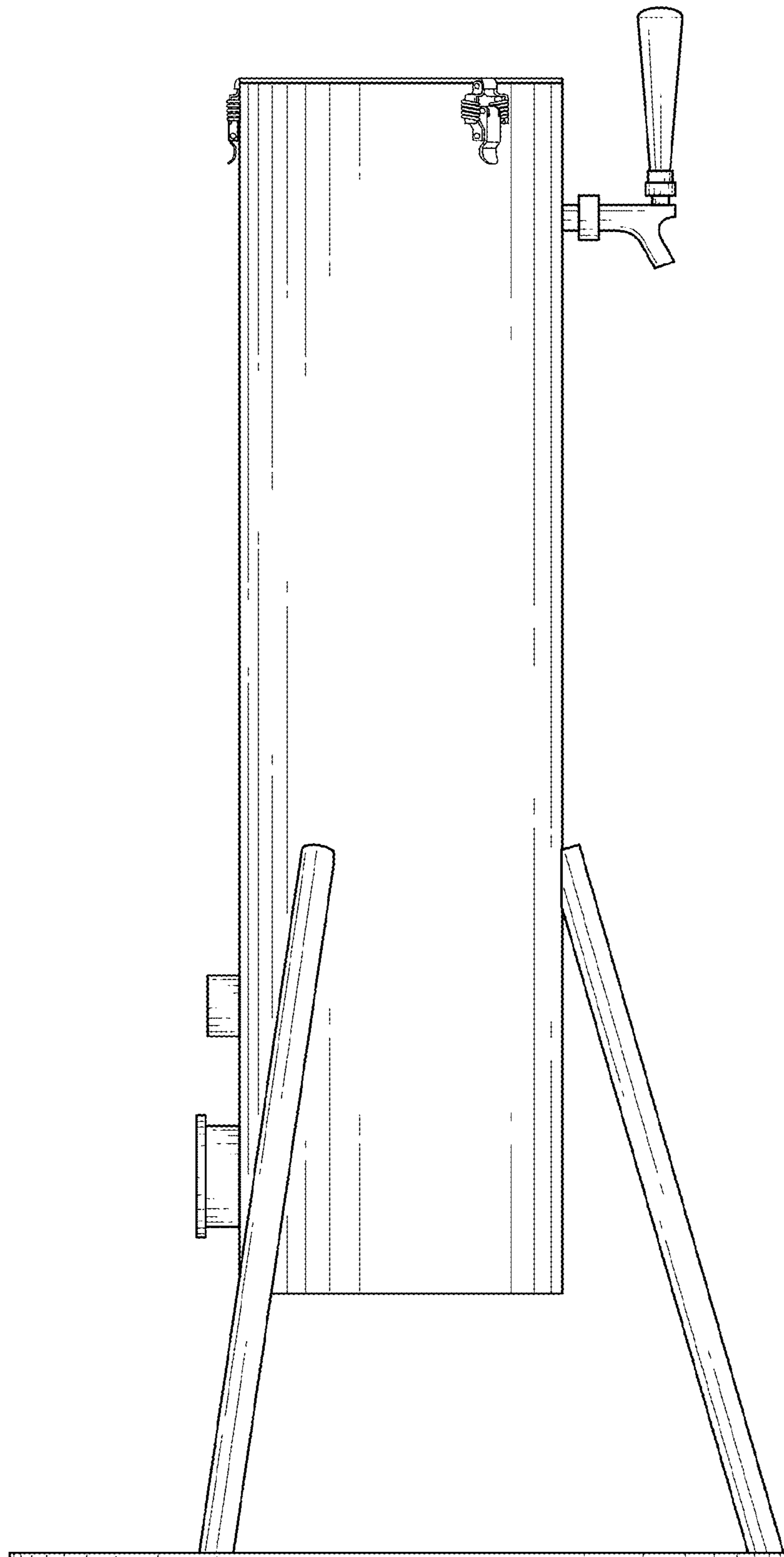


FIG. 4

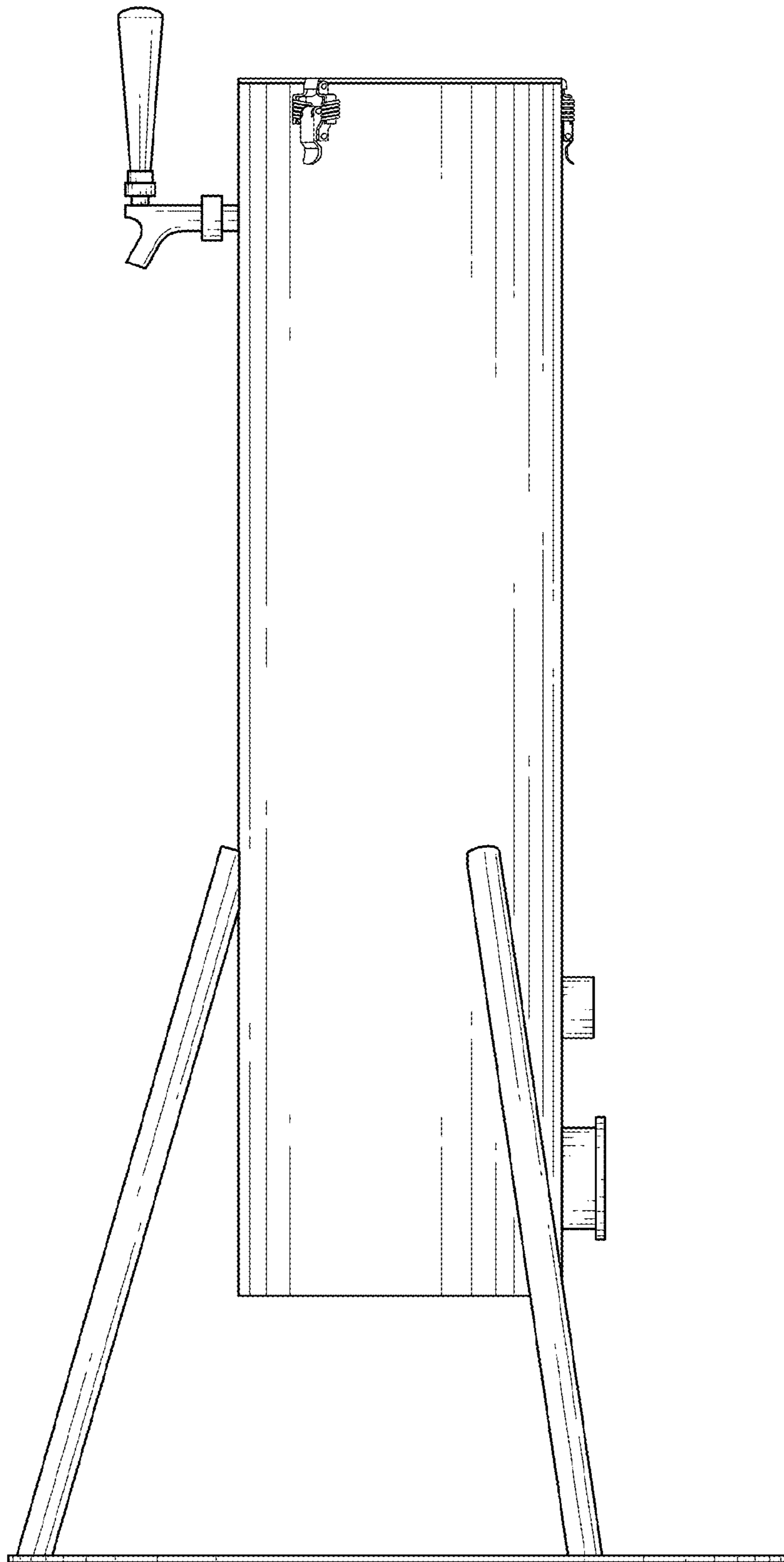


FIG. 5

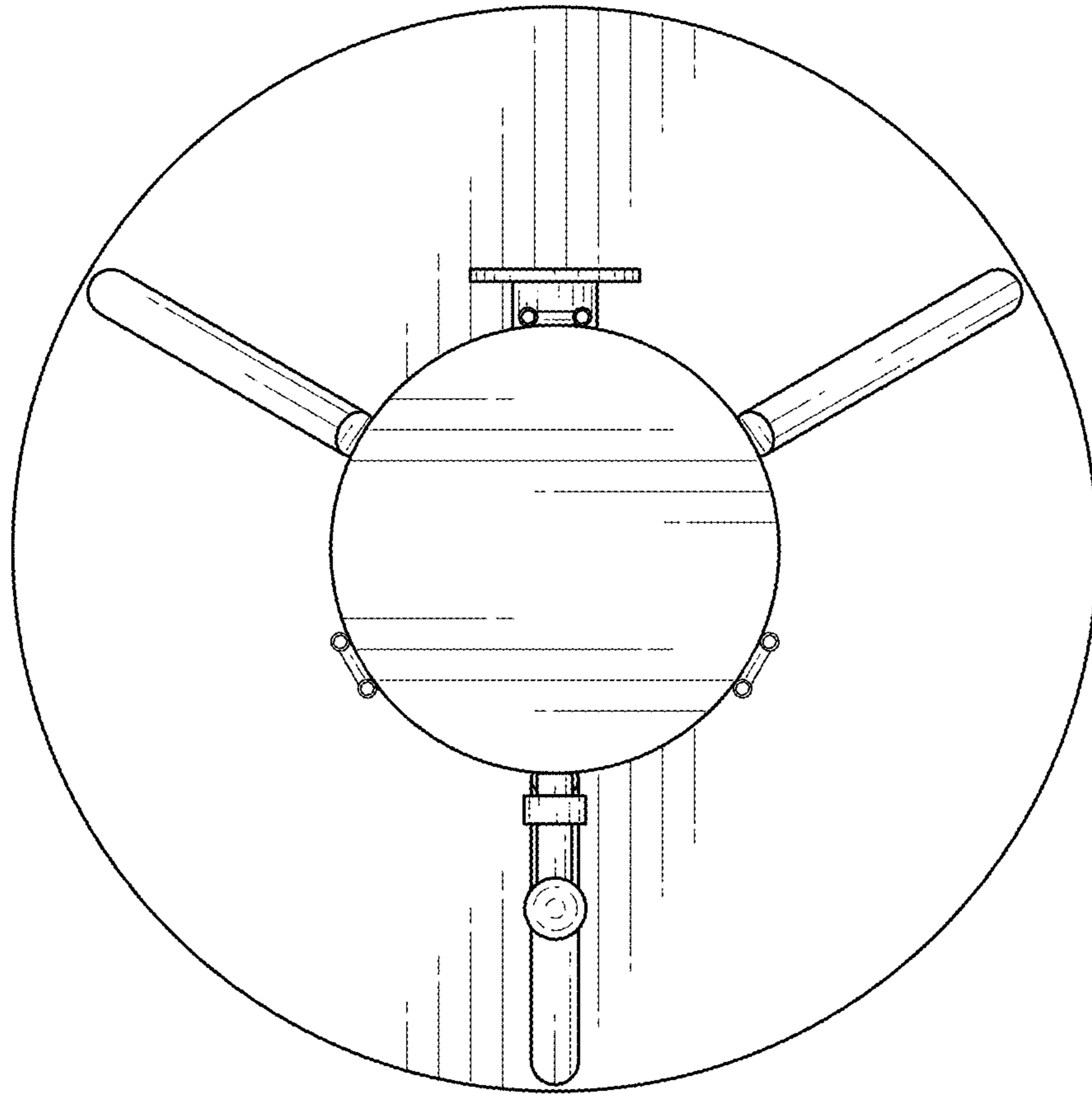


FIG. 6

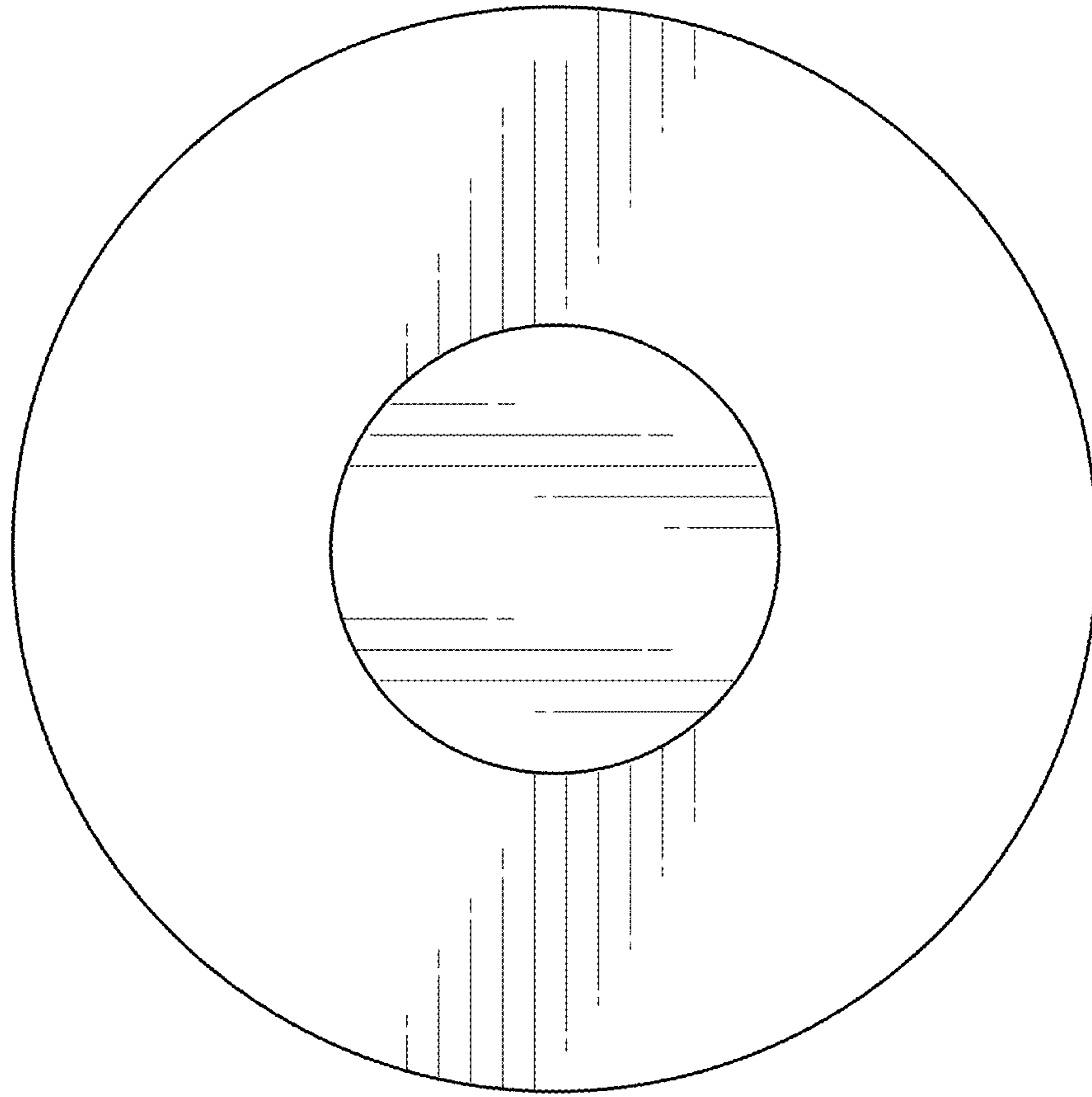


FIG. 7