



US00D889180S

(12) **United States Design Patent** (10) **Patent No.:** **US D889,180 S**
Krause (45) **Date of Patent:** **** Jul. 7, 2020**

(54) **COFFEE MACHINE** D442,012 S * 5/2001 Haring D7/309
 D445,627 S * 7/2001 Naft D7/309
 (71) Applicant: **MK ELETRODOMÉSTICOS** D447,903 S * 9/2001 Lin D7/309
MONDIAL S.A., Salvador (BR) D447,907 S * 9/2001 Po-Hei D7/379
 D454,466 S * 3/2002 Hong D7/309
 (72) Inventor: **Jacques Ivo Krause**, Barueri (BR) D457,376 S * 5/2002 Lin D7/309
 6,571,686 B1 * 6/2003 Riley A47J 31/057
 99/299
 (73) Assignee: **MK ELETRODOMÉSTICOS** D484,733 S * 1/2004 Kling D7/309
MONDIAL S.A., Salvador (BR) D529,751 S * 10/2006 Sumser D7/309
 D530,138 S * 10/2006 Sumser D7/309
 (**) Term: **15 Years** D530,139 S * 10/2006 Lin D7/309
 D543,770 S * 6/2007 Ye D7/309
 (21) Appl. No.: **29/661,452** D545,608 S * 7/2007 Picozza D7/309
 D673,804 S * 1/2013 De' Longhi D7/309
 (22) Filed: **Aug. 28, 2018** D800,496 S * 10/2017 Palermo D7/397
 D845,053 S * 4/2019 Barquin D7/309

(30) **Foreign Application Priority Data**
 Apr. 5, 2018 (BR) 30 2018 001362-0
 (51) **LOC (12) Cl.** **07-01**
 (52) **U.S. Cl.**
 USPC **D7/310; D7/309; D7/311**
 (58) **Field of Classification Search**
 USPC D7/300, 309-311, 306-308, 305, 397,
 D7/355, 362, 365, 367, 399; 222/146.6,
 222/185.1, 135; 99/295, 273, 304, 288,
 99/279, 307, 283
 CPC A47J 31/02; A47J 31/407; A47J 31/50;
 A47J 31/18; A47J 31/061; A47J 27/04;
 A47J 31/0573; A47J 31/52; A47J 31/057
 See application file for complete search history.

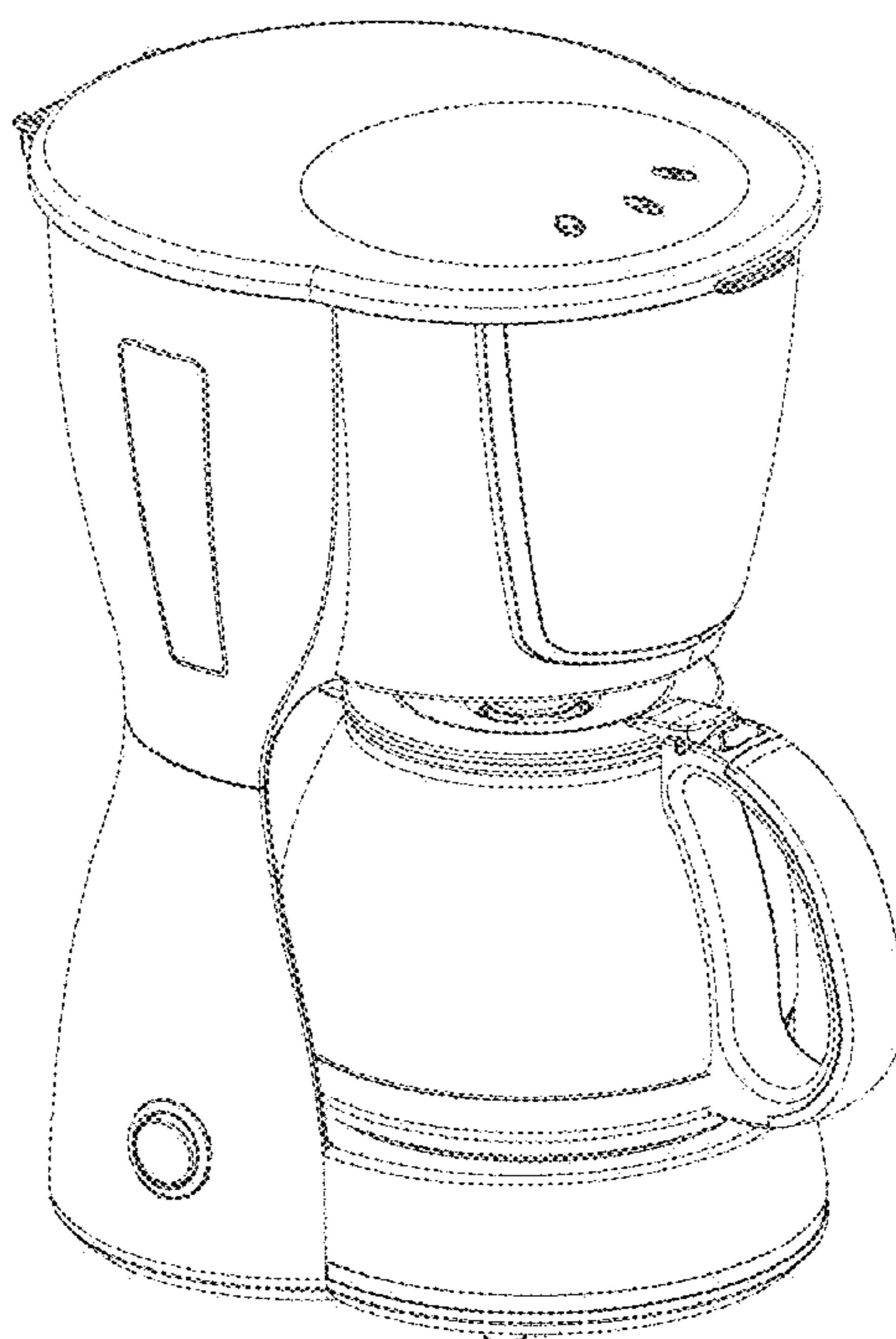
(56) **References Cited**
 U.S. PATENT DOCUMENTS
 D343,758 S * 2/1994 Beeren D7/309
 D386,039 S * 11/1997 Dingelstad D7/309

* cited by examiner
Primary Examiner — Marianne N Pandozzi
 (74) *Attorney, Agent, or Firm* — Maier & Maier, PLLC

(57) **CLAIM**
 The ornamental design for a coffee machine, as shown and described.

DESCRIPTION
 FIG. 1 is a front perspective view of a coffee machine;
 FIG. 2 is a rear perspective view thereof;
 FIG. 3 is a front view thereof;
 FIG. 4 is a rear view thereof;
 FIG. 5 is a left side view thereof;
 FIG. 6 is right side view thereof;
 FIG. 7 is top view thereof; and,
 FIG. 8 is a bottom view thereof.

1 Claim, 8 Drawing Sheets



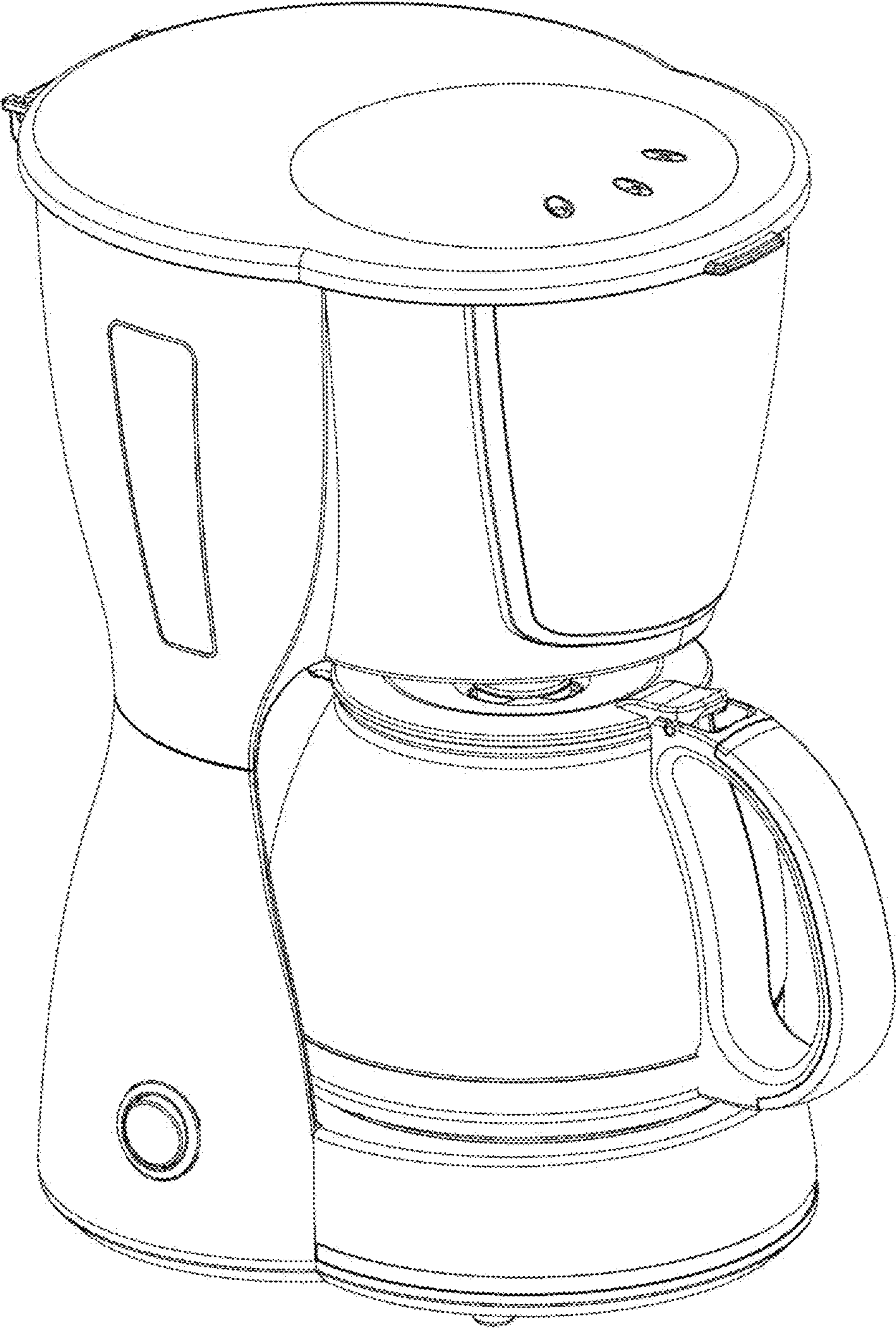


Fig. 1

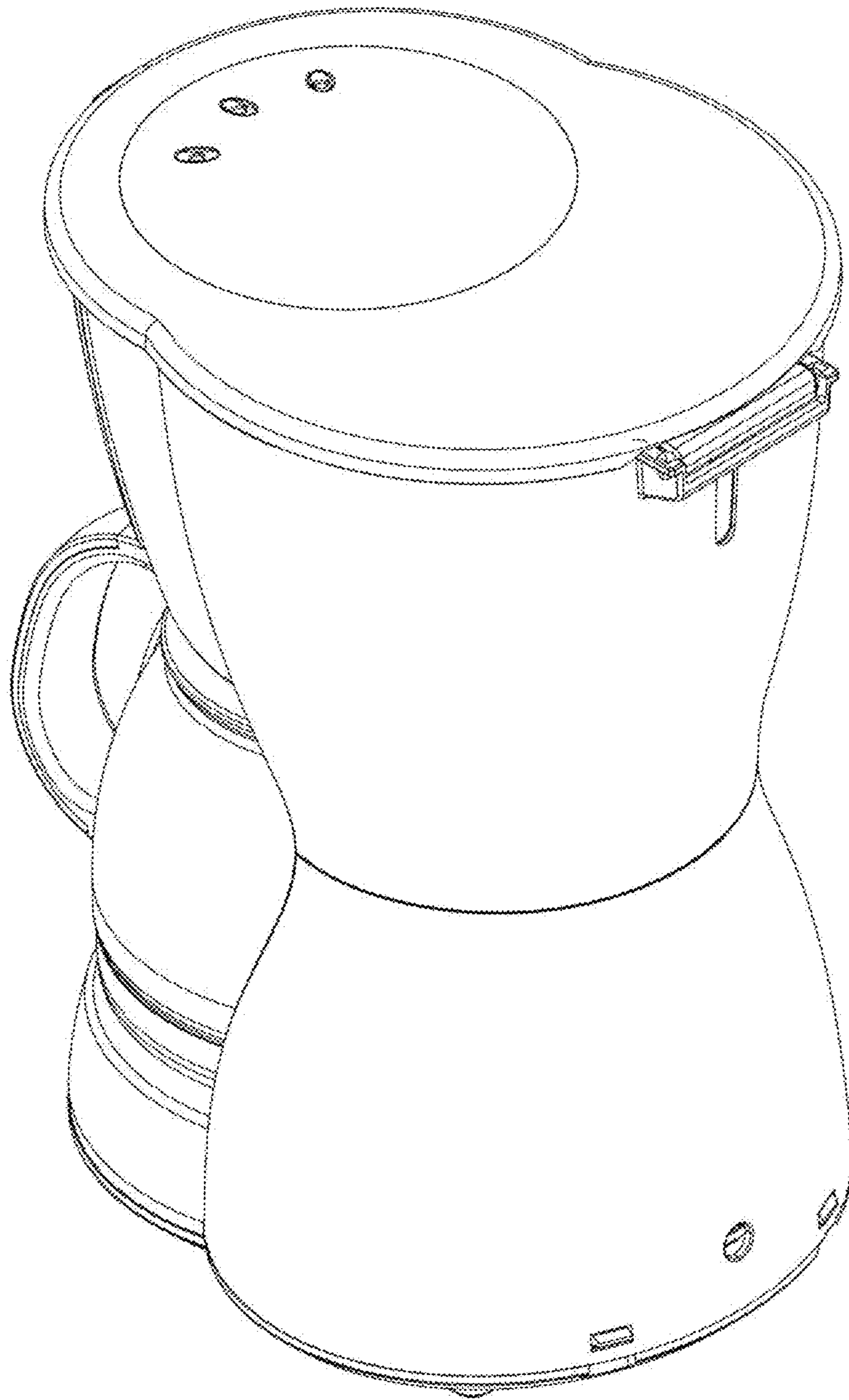


Fig. 2

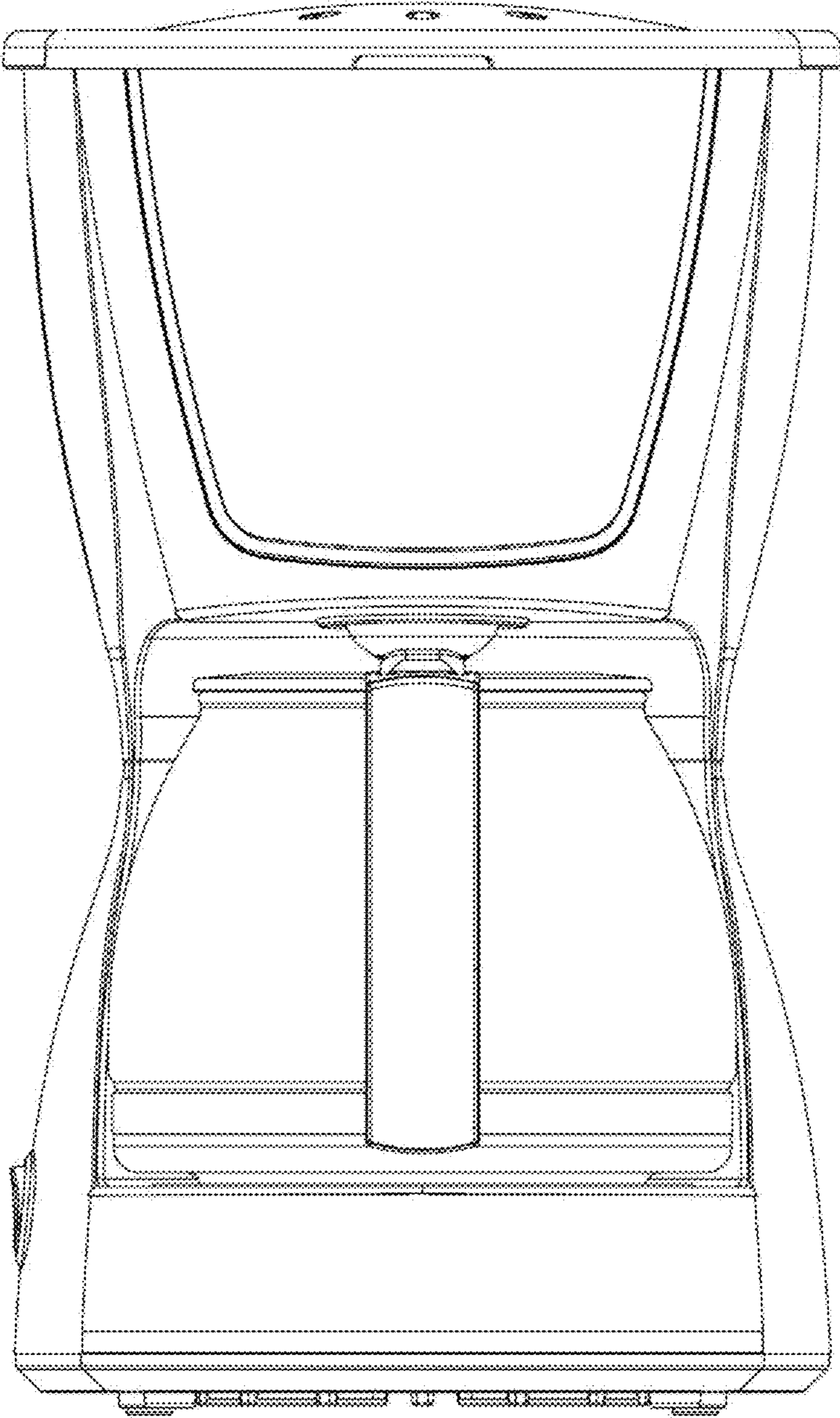


Fig. 3

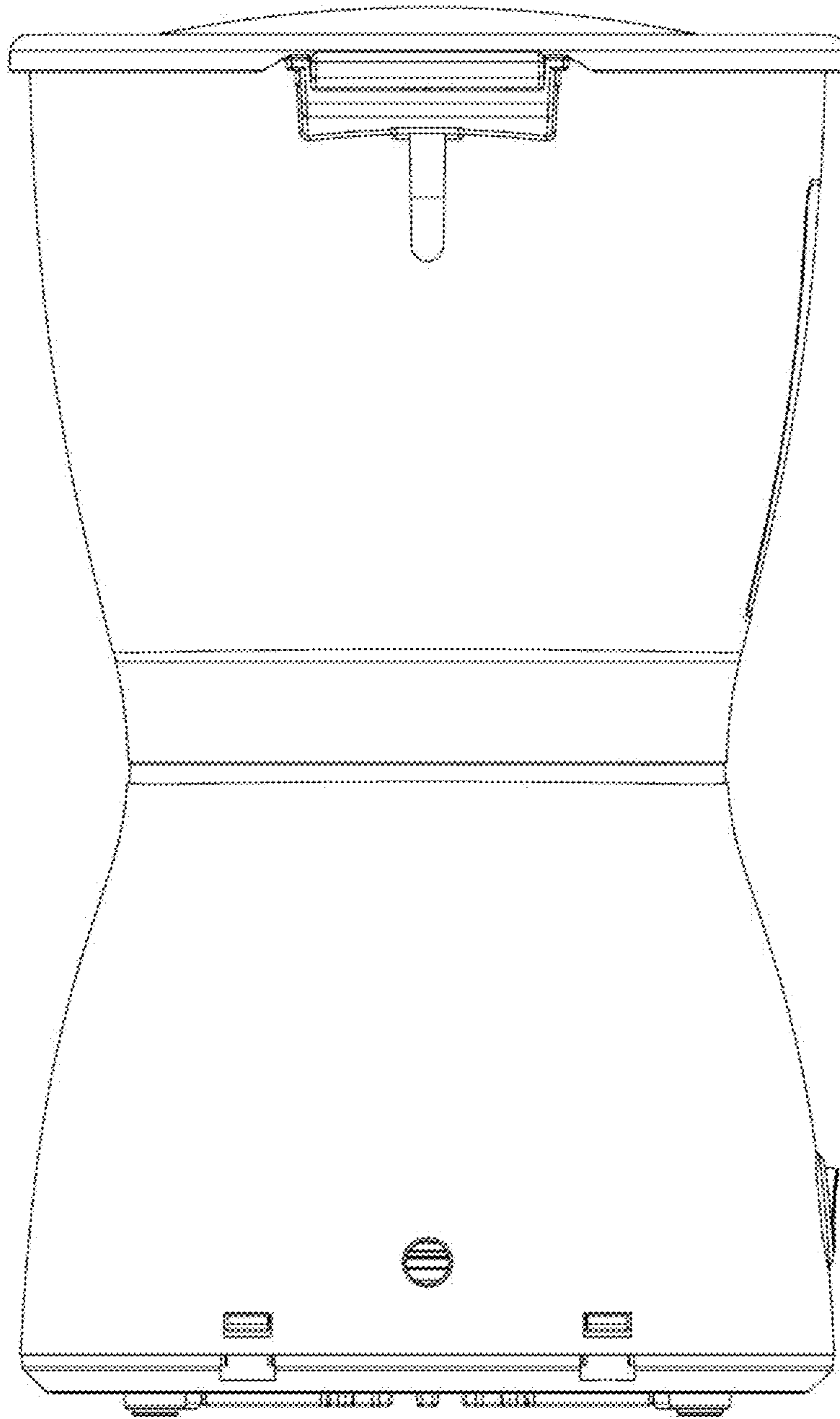


Fig. 4

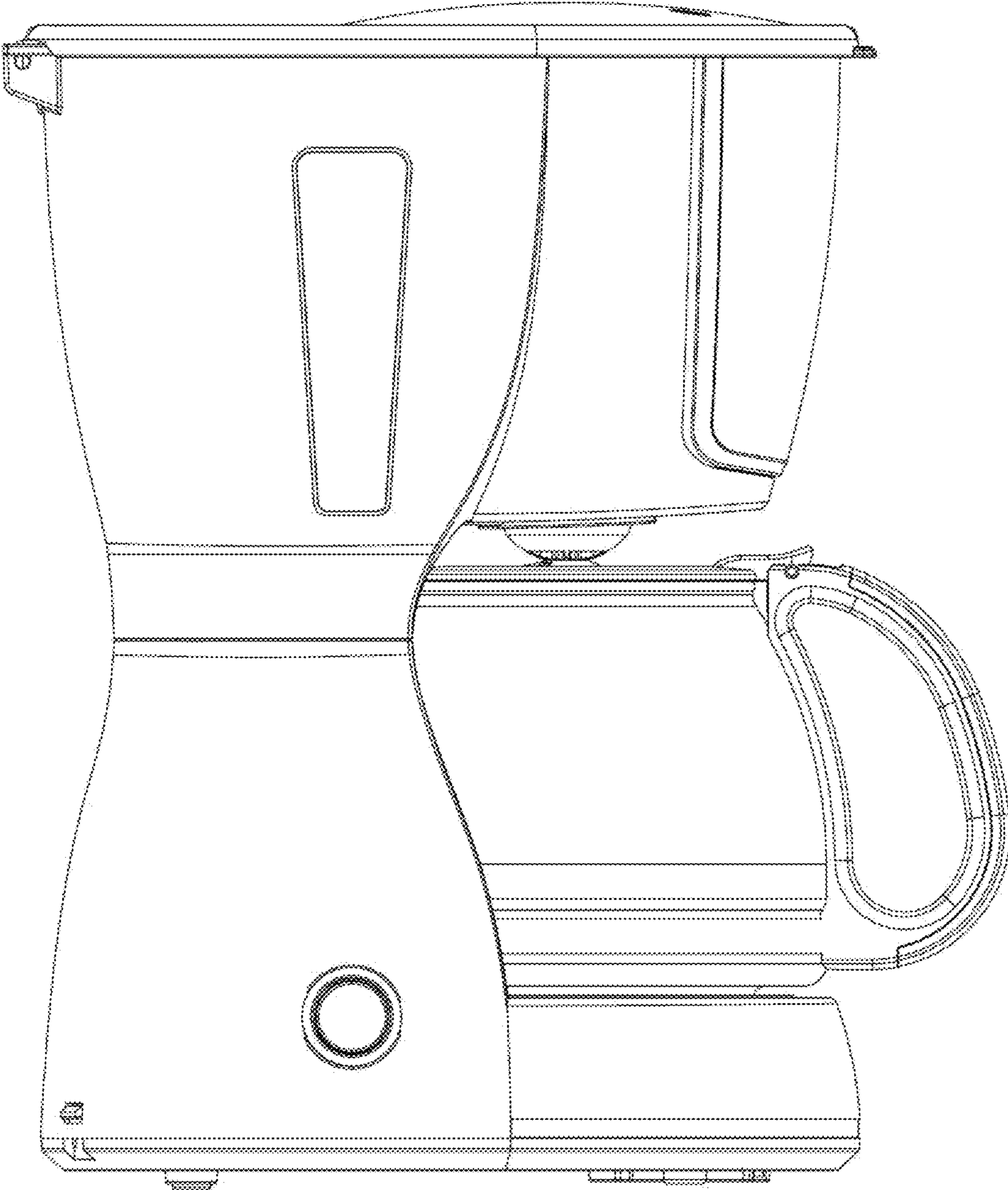


Fig. 5

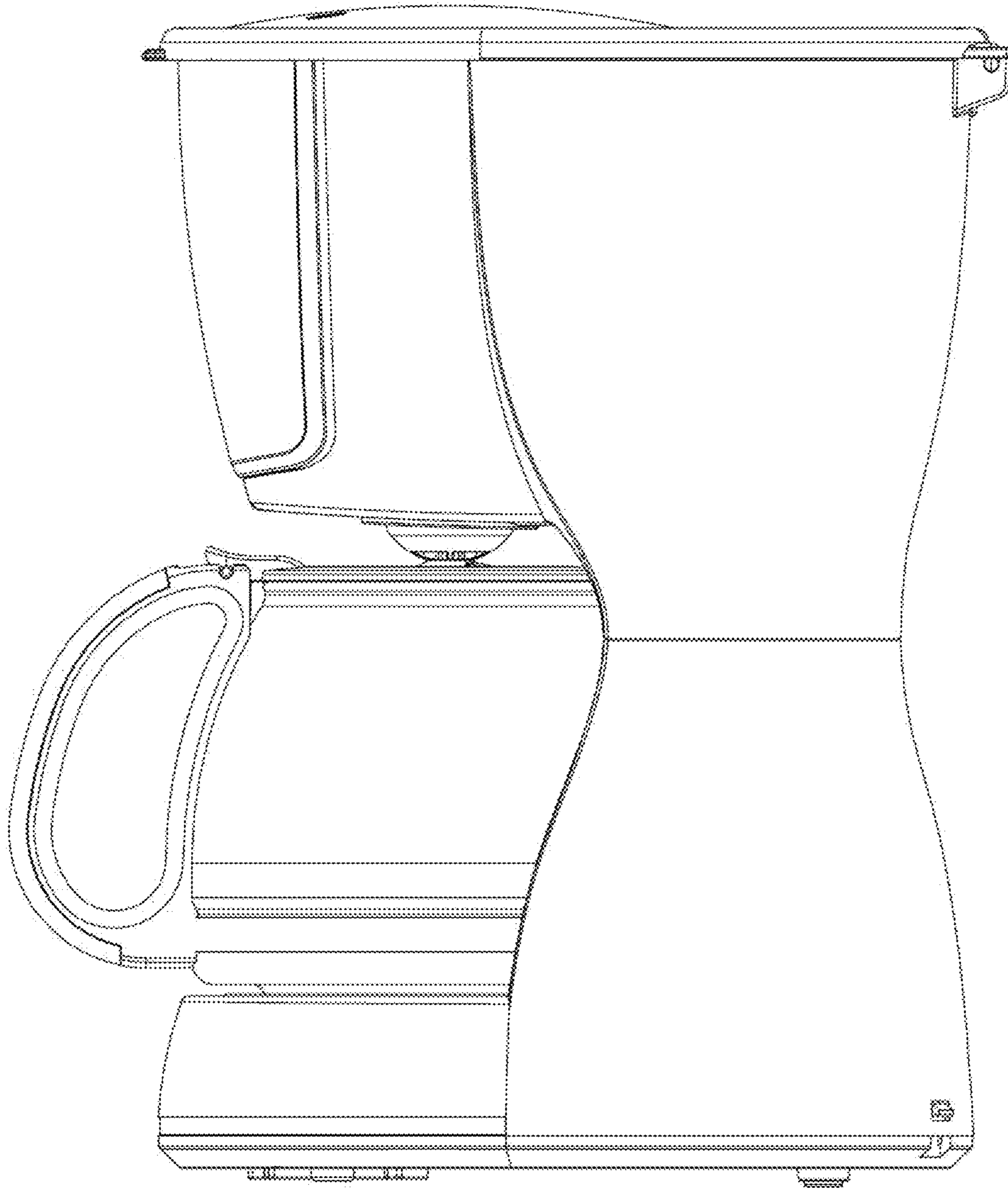


Fig. 6

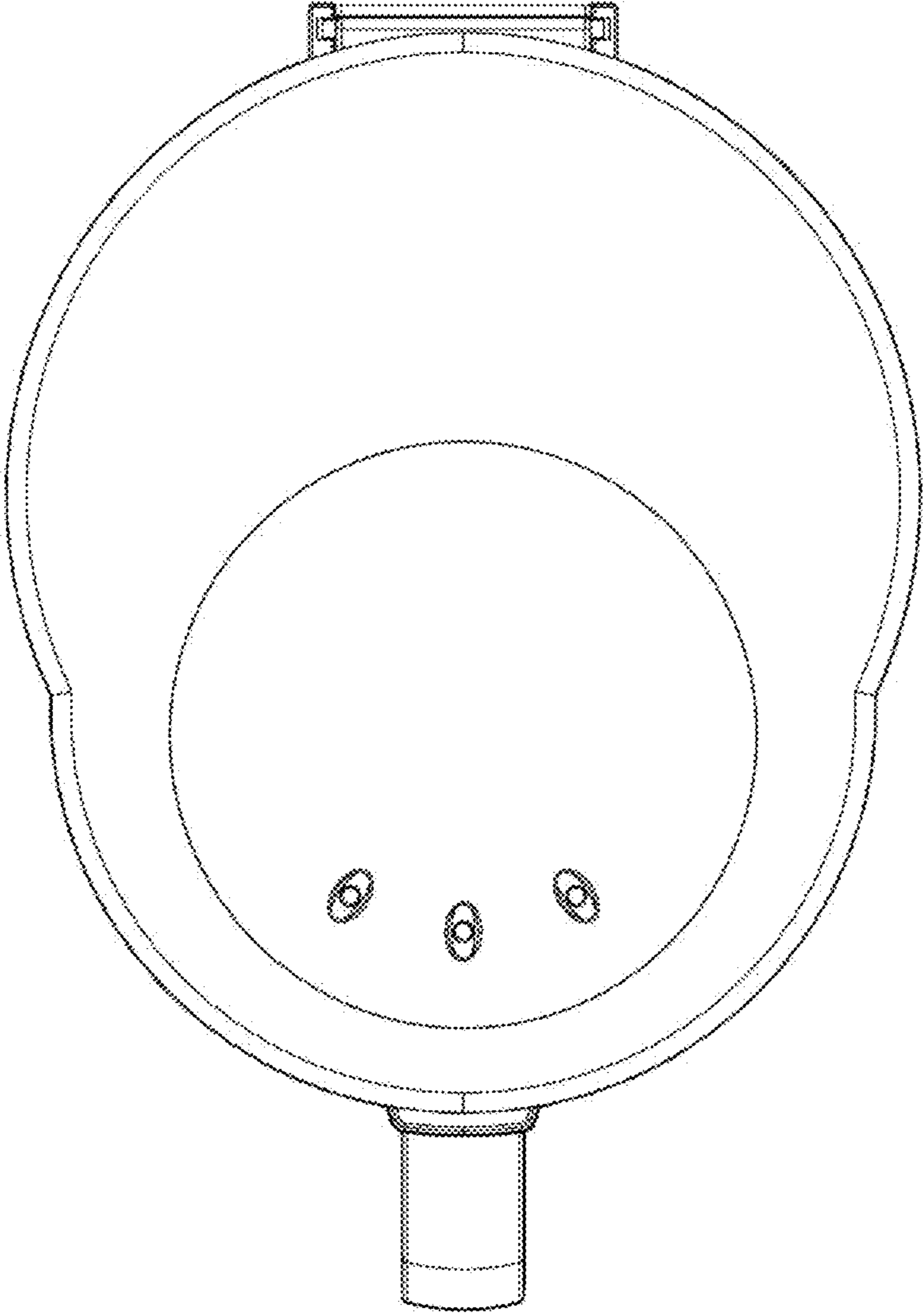


Fig. 7

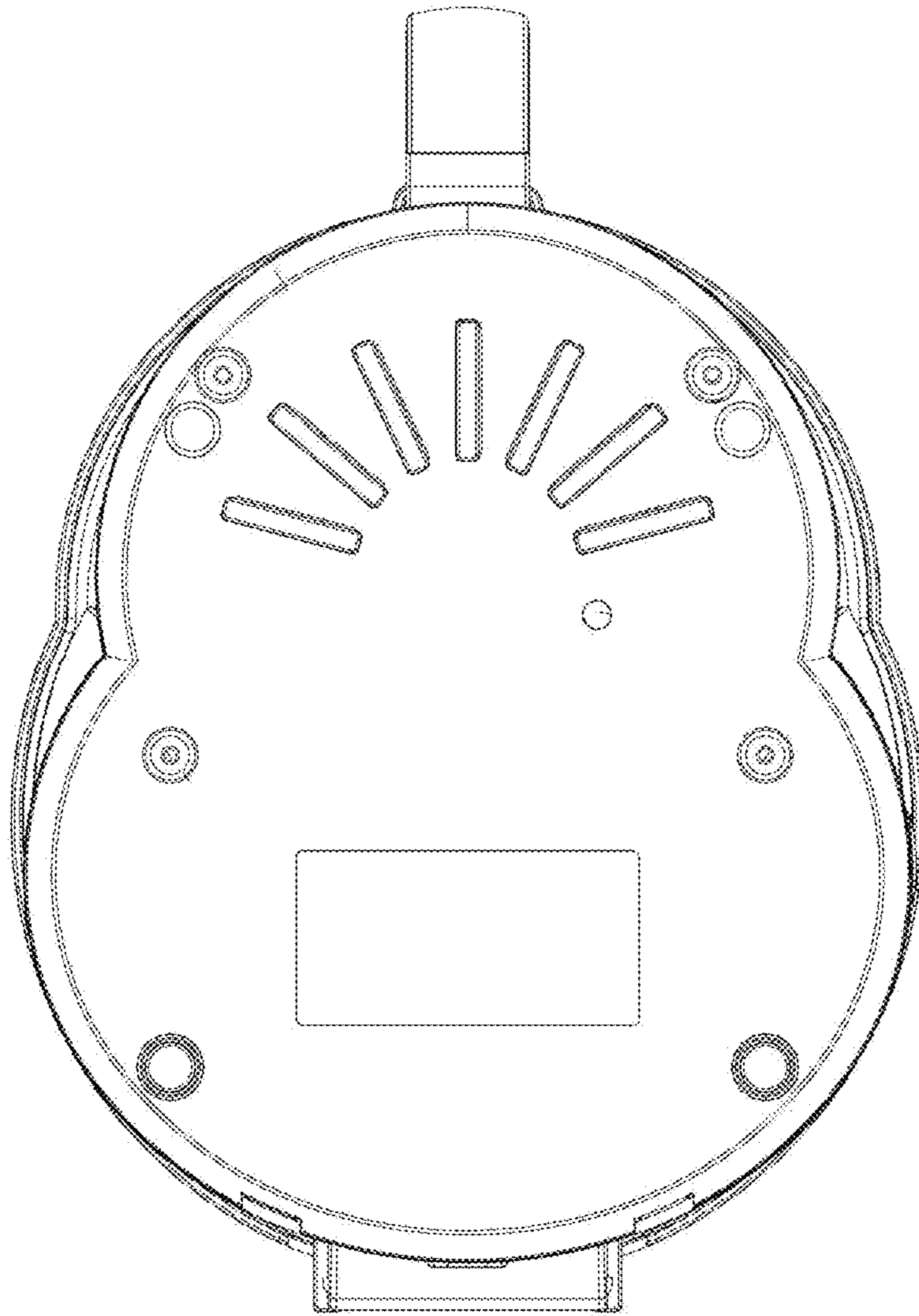


Fig. 8