



US00D889179S

(12) **United States Design Patent**
Zekic

(10) **Patent No.:** **US D889,179 S**
(45) **Date of Patent:** **** Jul. 7, 2020**

- (54) **SUN SHADE**
- (71) Applicant: **Dragan Zekic**, Las Vegas, NV (US)
- (72) Inventor: **Dragan Zekic**, Las Vegas, NV (US)
- (**) Term: **15 Years**
- (21) Appl. No.: **29/639,587**
- (22) Filed: **Mar. 7, 2018**
- (51) **LOC (12) Cl.** **06-06**
- (52) **U.S. Cl.**
USPC **D6/716.8**
- (58) **Field of Classification Search**
USPC D6/335, 716.8; D3/5; D30/161; D25/56
CPC . A45B 17/00; A45B 23/00; A45B 2023/0012;
A45B 2023/0037; A45B 2017/005; A45B
2200/1009; A45B 2200/1063; A45B
2023/005; A45B 2023/0062; A45B
2023/0075; A45B 19/04; A45B 2025/146;
A45B 25/02; A45B 25/10; A45B 25/143;
A47C 1/143; A47C 7/66; A47C 7/72;
A63H 33/006; E04H 15/003
See application file for complete search history.

(56) **References Cited**

U.S. PATENT DOCUMENTS

- 442,629 A * 12/1890 Lipscomb A63H 33/006
248/231.85
- D255,958 S * 7/1980 Browning D25/56
- D261,843 S * 11/1981 Wall D6/335
- 5,937,881 A * 8/1999 Villa A45B 23/00
135/135
- 6,152,156 A * 11/2000 Tung A45B 17/00
135/20.1
- D434,556 S * 12/2000 Lin D3/6
- 6,244,286 B1 * 6/2001 Russo A47C 1/16
135/124
- 6,845,780 B2 * 1/2005 Bishirjian E04H 15/02
135/96

- 6,953,043 B2 * 10/2005 Yu A45B 23/00
135/20.1
 - D609,453 S * 2/2010 Liu D3/5
 - D629,603 S * 12/2010 Liu D3/5
 - 8,113,223 B2 * 2/2012 Wang A45B 19/04
135/20.1
 - 8,360,080 B2 * 1/2013 Liu A45B 17/00
135/20.1
 - D677,046 S * 3/2013 Hoogendoorn D3/5
- (Continued)

Primary Examiner — Kevin K Rudzinski
Assistant Examiner — Paul D Bohannon
(74) *Attorney, Agent, or Firm* — Dunlap Bennett & Ludwig PLLC

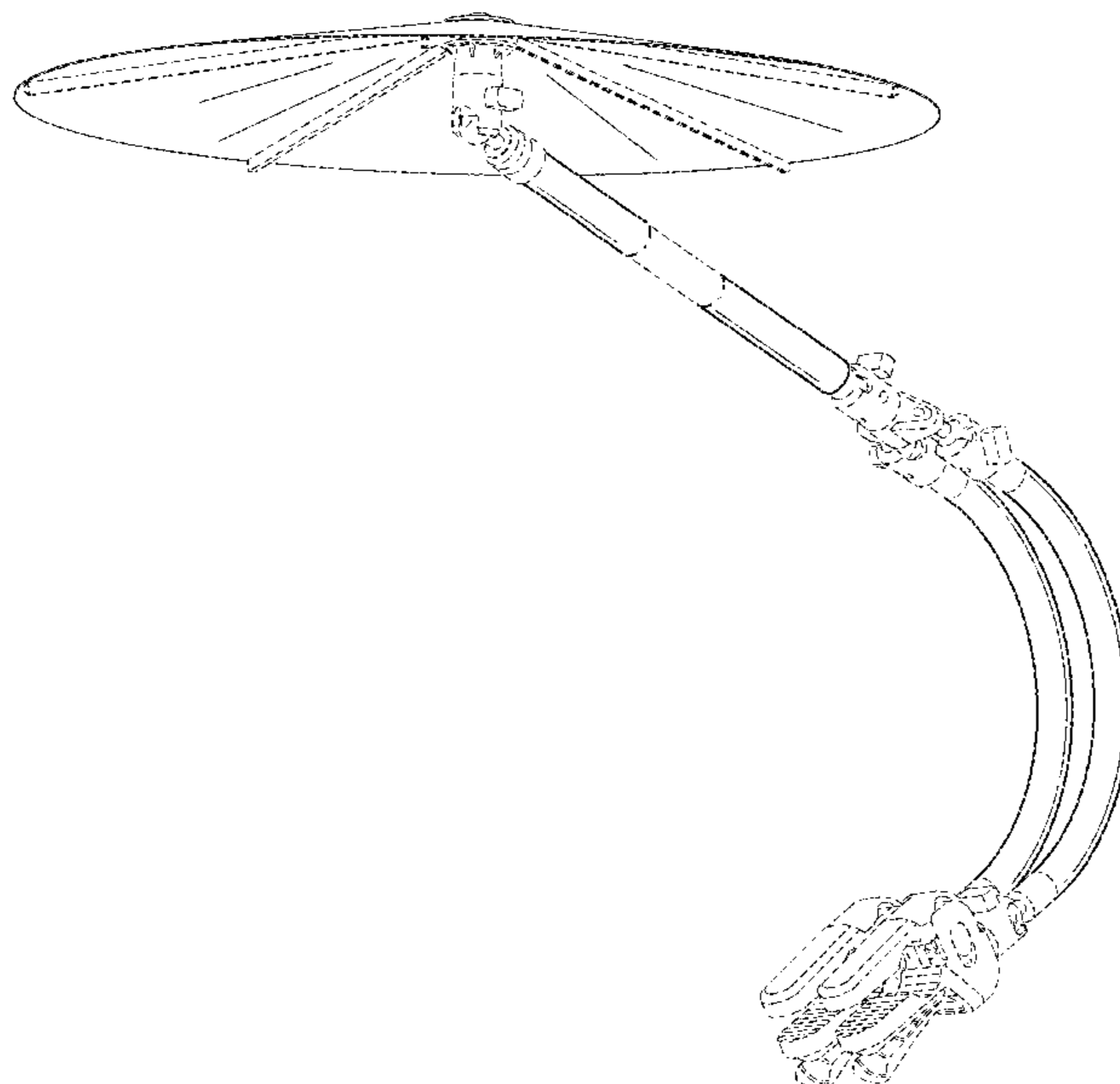
(57) **CLAIM**

The ornamental design for a sun shade, as shown and described.

DESCRIPTION

FIG. 1 is a front perspective view of a sun shade, showing my new design;
FIG. 2 is a front elevation view thereof;
FIG. 3 is a rear elevation view thereof;
FIG. 4 is a left elevation view thereof, the right elevation view being a mirror image thereof;
FIG. 5 is a top plan view thereof; and,
FIG. 6 is a bottom plan view thereof.
The broken lines consisting of evenly sized dash-dash lines in the drawings depict portions of the sun shade that forms no part of the claimed design, while the broken lines consisting of dash-dot-dash lines in the drawings depict the boundary of the claimed design and it is understood that the claim extends to the boundary lines that forms no part of the claimed design. Specifically, the sun shade is shown with symbolic breaks in its length via the boundary lines, wherein the appearance of any portion of the article between the break lines forms not part of the claimed design.

1 Claim, 6 Drawing Sheets



(56)

References Cited

U.S. PATENT DOCUMENTS

| | | | | | |
|--------------|------|---------|-----------|-------|-------------|
| 8,387,641 | B1 * | 3/2013 | Ilan | | A61G 5/10 |
| | | | | | 135/34.2 |
| D685,539 | S * | 7/2013 | McPherson | | D3/5 |
| 8,807,513 | B2 * | 8/2014 | Volin | | A45B 23/00 |
| | | | | | 135/16 |
| D857,410 | S * | 8/2019 | Liu | | D6/335 |
| 10,455,911 | B1 * | 10/2019 | Sendi | | A45B 25/143 |
| 10,506,854 | B2 * | 12/2019 | Akin | | H02J 7/35 |
| 2008/0236640 | A1 * | 10/2008 | Huali | | A45B 23/00 |
| | | | | | 135/20.3 |

* cited by examiner

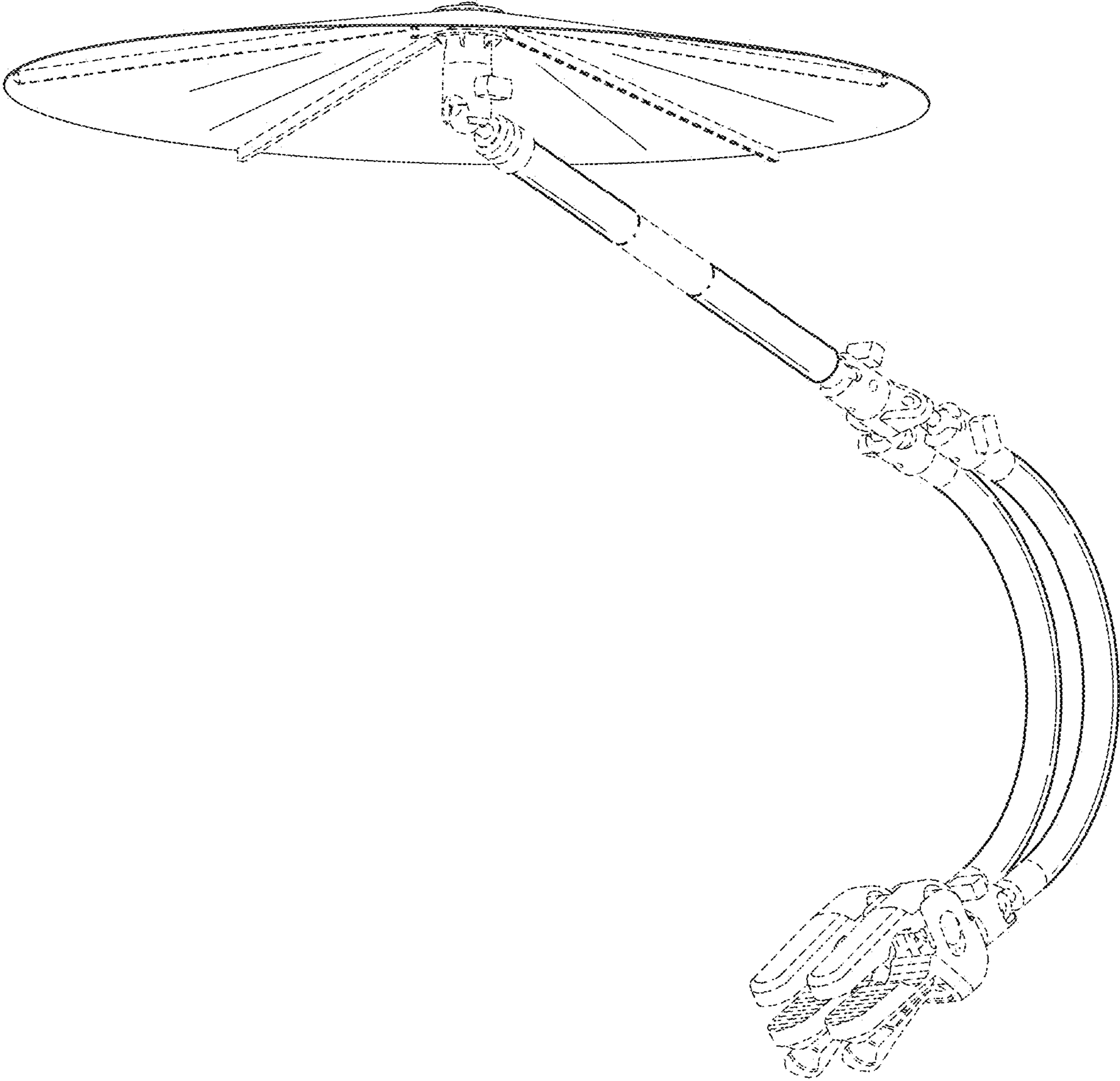


FIG. 1

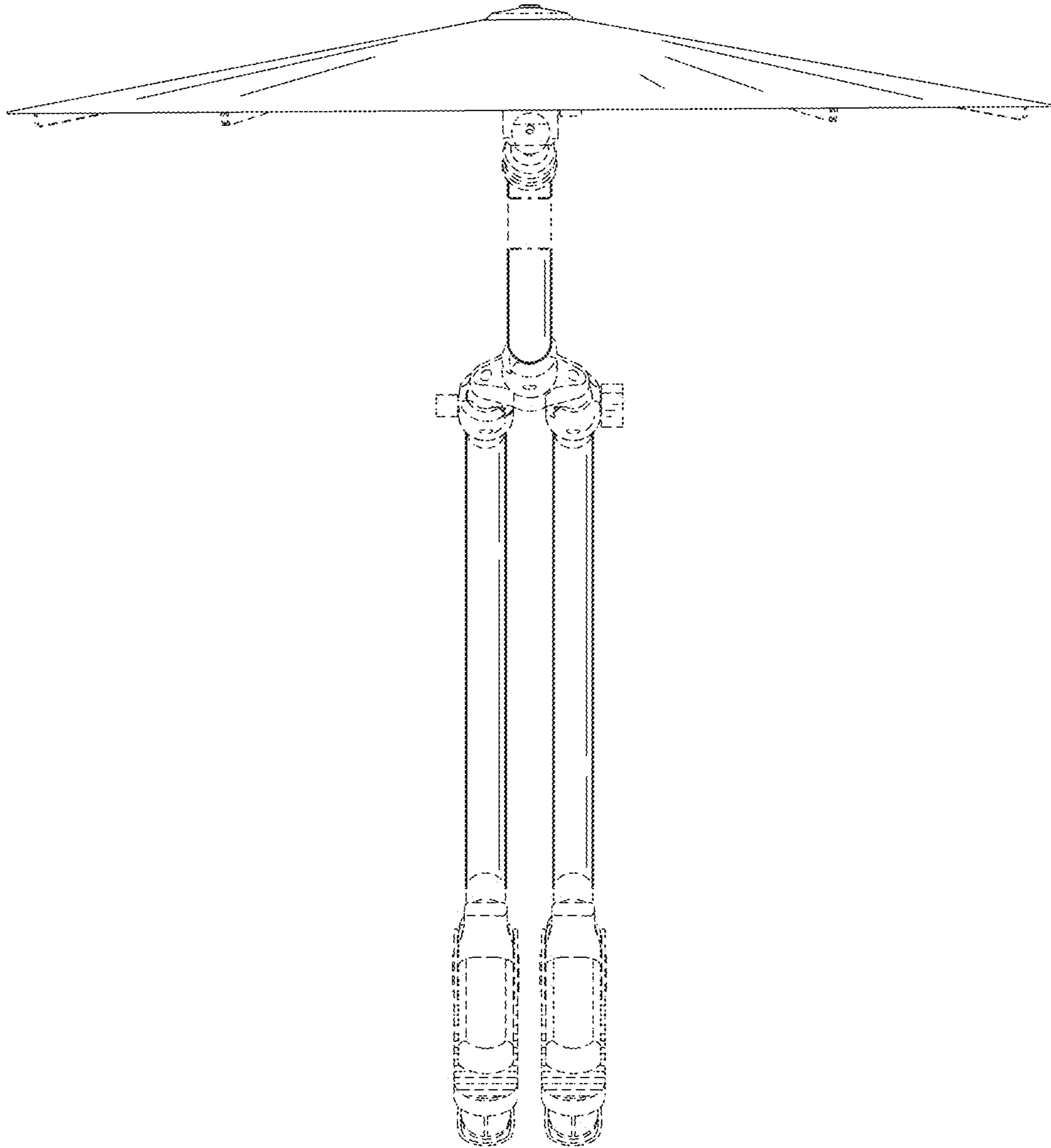


FIG. 2

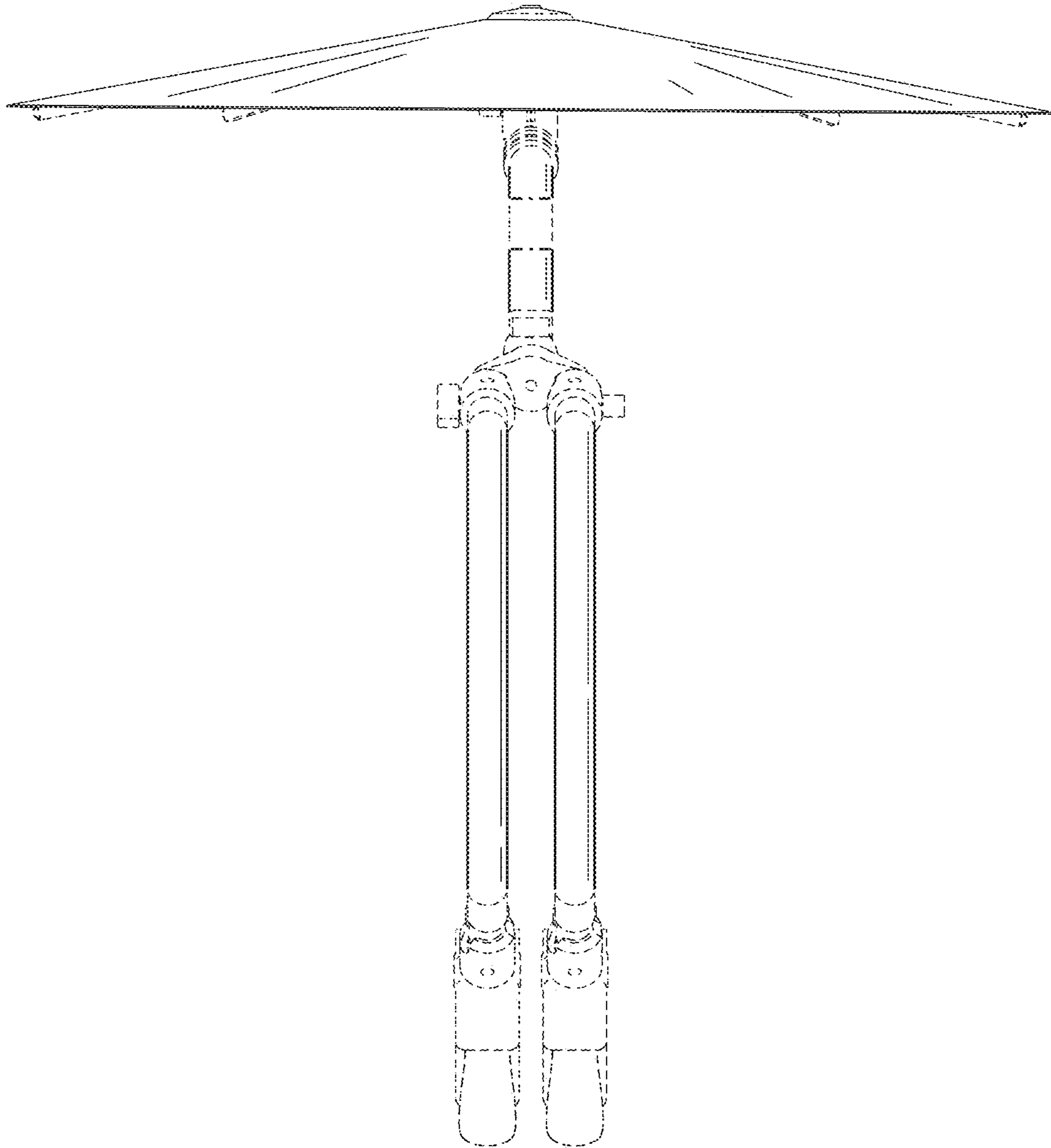


FIG. 3

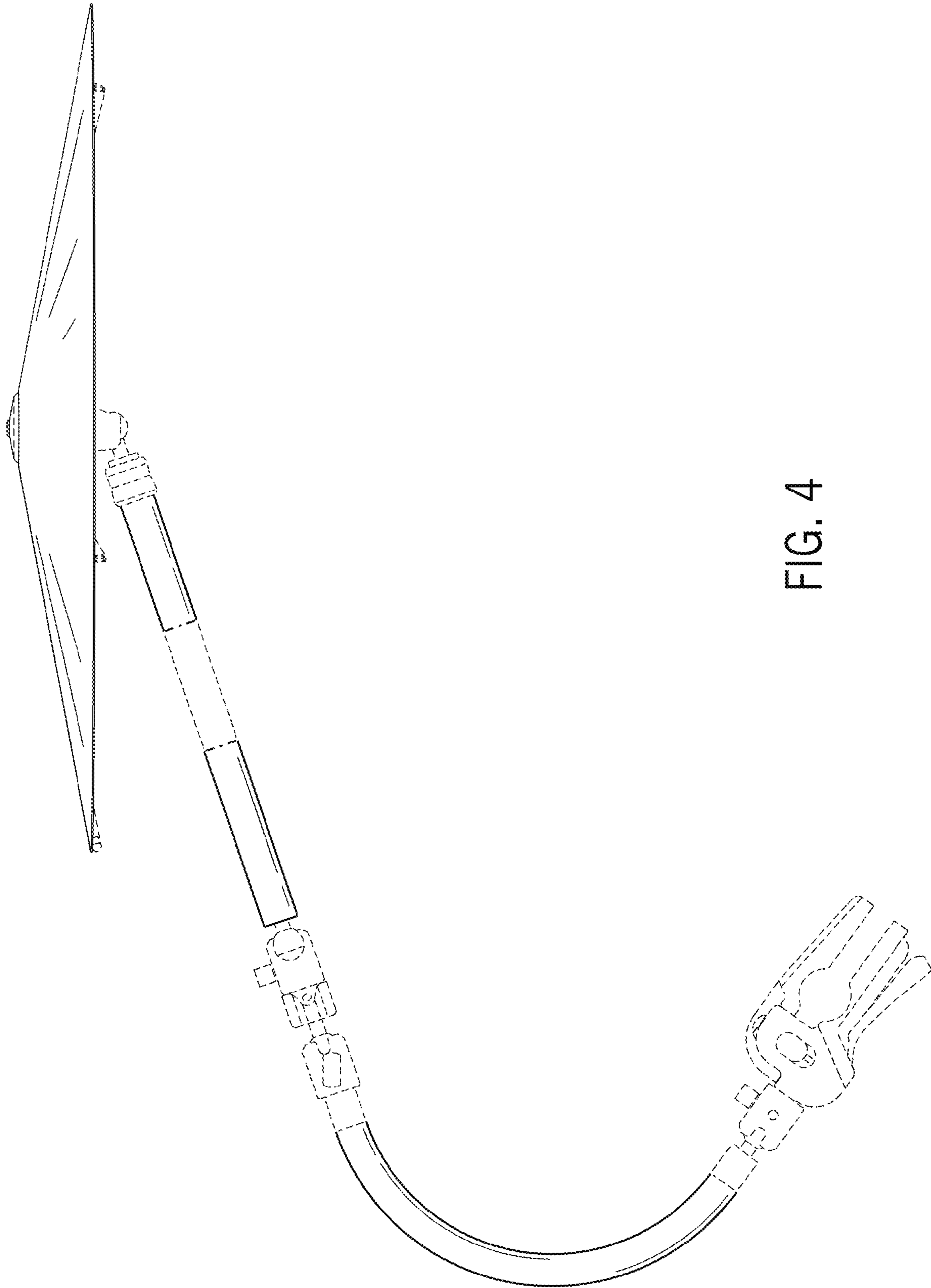


FIG. 4

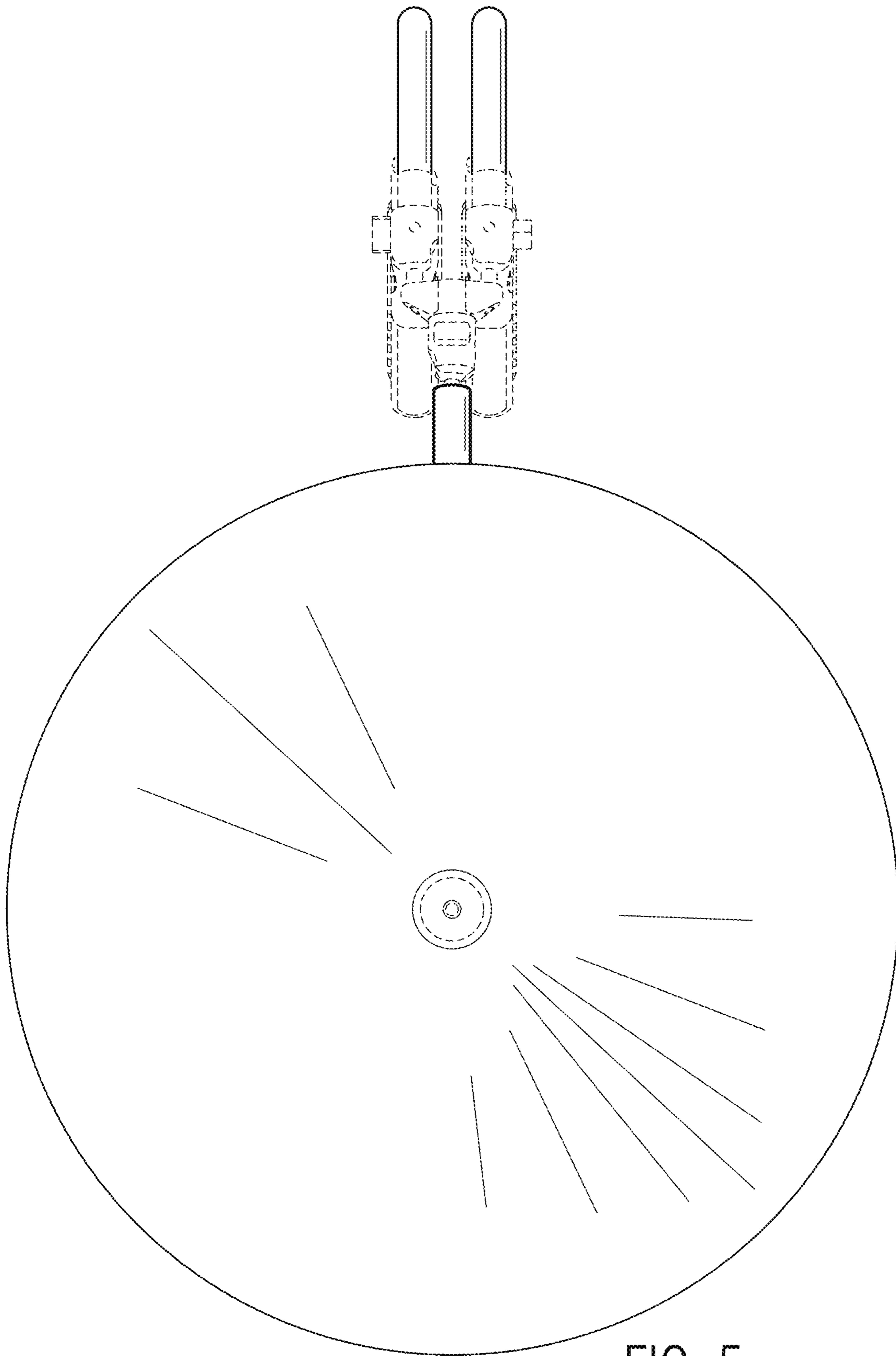


FIG. 5

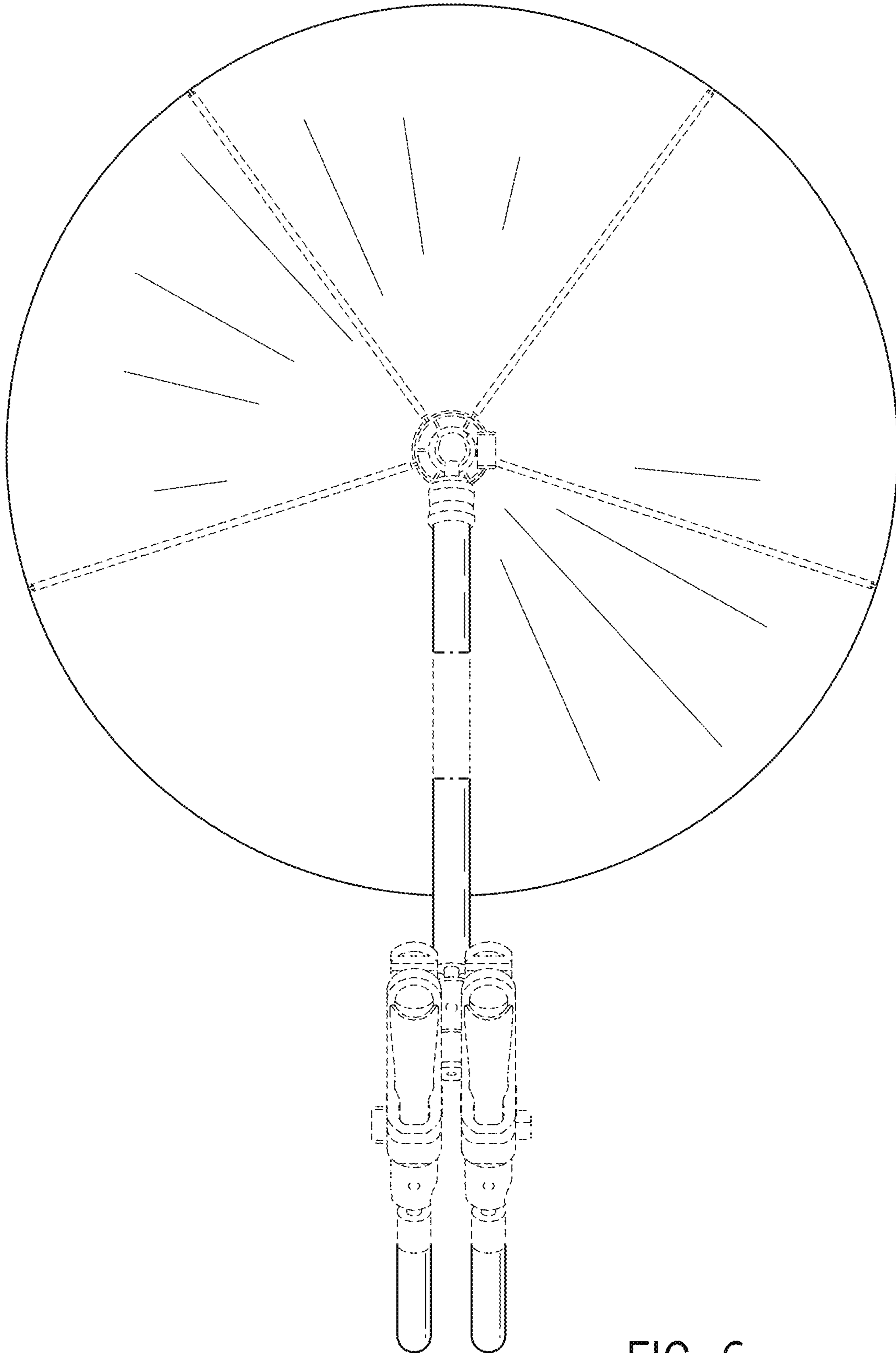


FIG. 6