



US00D889177S

(12) **United States Design Patent** (10) **Patent No.:** **US D889,177 S**
Jahns (45) **Date of Patent:** **** Jul. 7, 2020**

(54) **CHAIR ROCKER BASE**
(71) Applicant: **Office Master Inc.**, Ontario, CA (US)
(72) Inventor: **Henner Jahns**, Los Angeles, CA (US)
(73) Assignee: **Office Mater Inc.**, Ontario, CA (US)
(**) Term: **15 Years**
(21) Appl. No.: **29/637,001**

5,375,911 A 12/1994 Morrow
6,030,037 A * 2/2000 Ritch A47C 7/004
297/239
D546,085 S * 7/2007 Ritch D6/366
D622,984 S * 9/2010 Babick D6/709
D653,479 S * 2/2012 Babick D6/709
D681,355 S * 5/2013 Fernandes D6/348
D713,647 S * 9/2014 Pedersen D6/348
D743,706 S 11/2015 Culhane
D761,030 S * 7/2016 Proserpio D6/348
D787,248 S 5/2017 Jahns
D794,365 S * 8/2017 Izawa D6/708.23
D830,075 S * 10/2018 Lee D6/348

(22) Filed: **Feb. 13, 2018**
(51) **LOC (12) Cl.** **06-01**
(52) **U.S. Cl.**
USPC **D6/708.23**; D6/348
(58) **Field of Classification Search**
USPC D6/334-336, 344, 348, 366, 374, 375,
D6/716, 716.1, 716.4, 708.16, 708.23
CPC .. A47C 3/02; A47C 4/03; A47C 3/023; A47C
3/029; A47C 7/004; A47C 7/16; A47D
13/10; A47D 13/107
See application file for complete search history.

* cited by examiner

Primary Examiner — Mimosa De
(74) *Attorney, Agent, or Firm* — Andrus Intellectual
Property Law, LLP

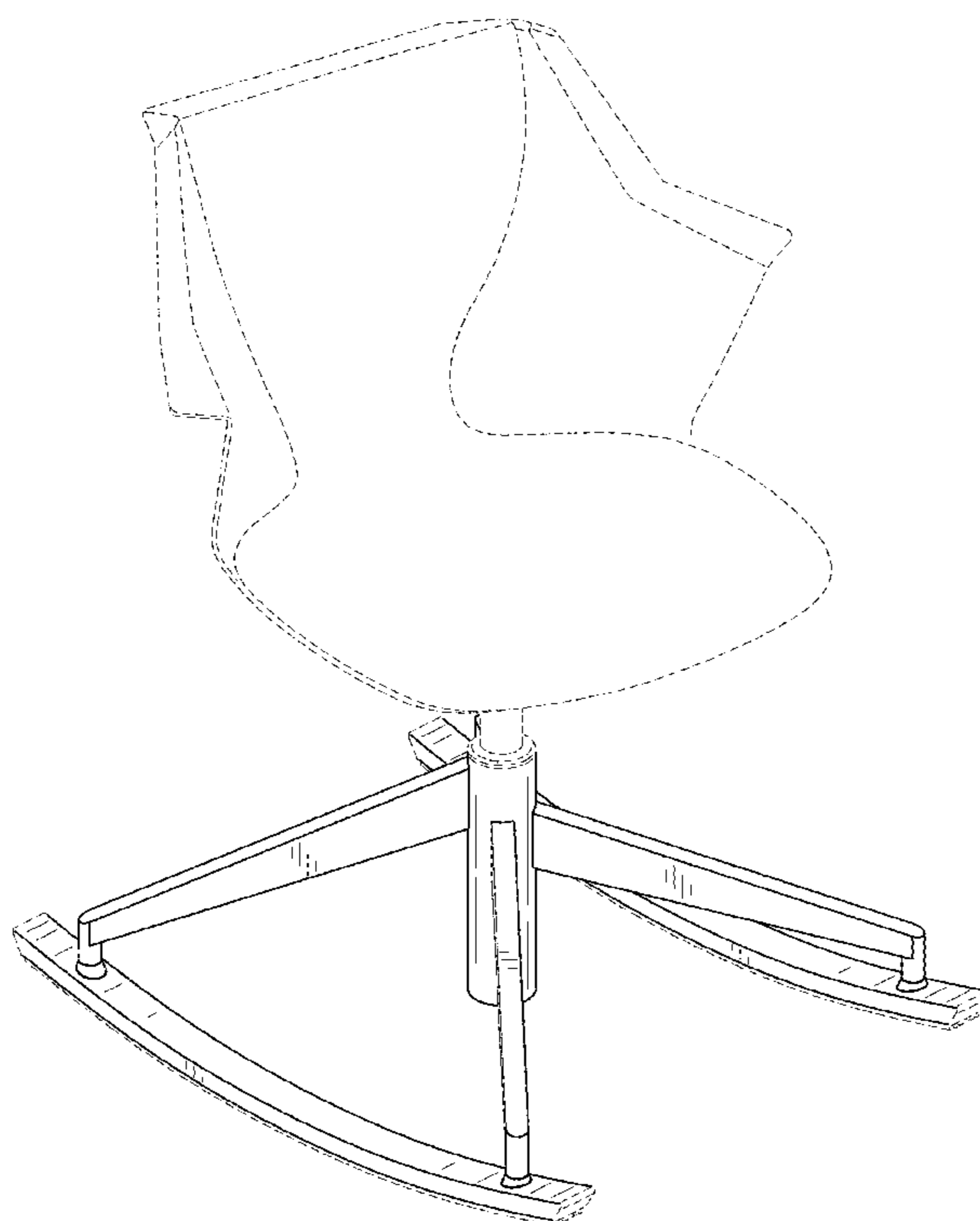
(56) **References Cited**
U.S. PATENT DOCUMENTS
1,301,639 A 4/1919 Barker
1,983,207 A 12/1934 Witzel
D141,551 S 6/1945 Edelson
3,774,961 A 11/1973 Lecarpentier
4,123,102 A 10/1978 Landry et al.
D260,204 S * 8/1981 Sapper D6/366
4,595,234 A 6/1986 Kjersem
4,786,105 A 11/1988 Sheehan et al.
4,919,481 A 4/1990 Garabedian

(57) **CLAIM**
The ornamental design for a chair rocker base, as shown and
described.

DESCRIPTION

FIG. 1 is a front isometric view of a chair rocker base;
FIG. 2 is a front elevation view thereof;
FIG. 3 is a rear elevation view thereof;
FIG. 4 is a right side elevation view thereof;
FIG. 5 is a left side elevation view thereof;
FIG. 6 is a top plan view thereof; and,
FIG. 7 is a bottom plan view thereof.
The broken lines shown in the drawing views are included
for purposes of illustrating environment and form no part of
the claimed design.

1 Claim, 7 Drawing Sheets



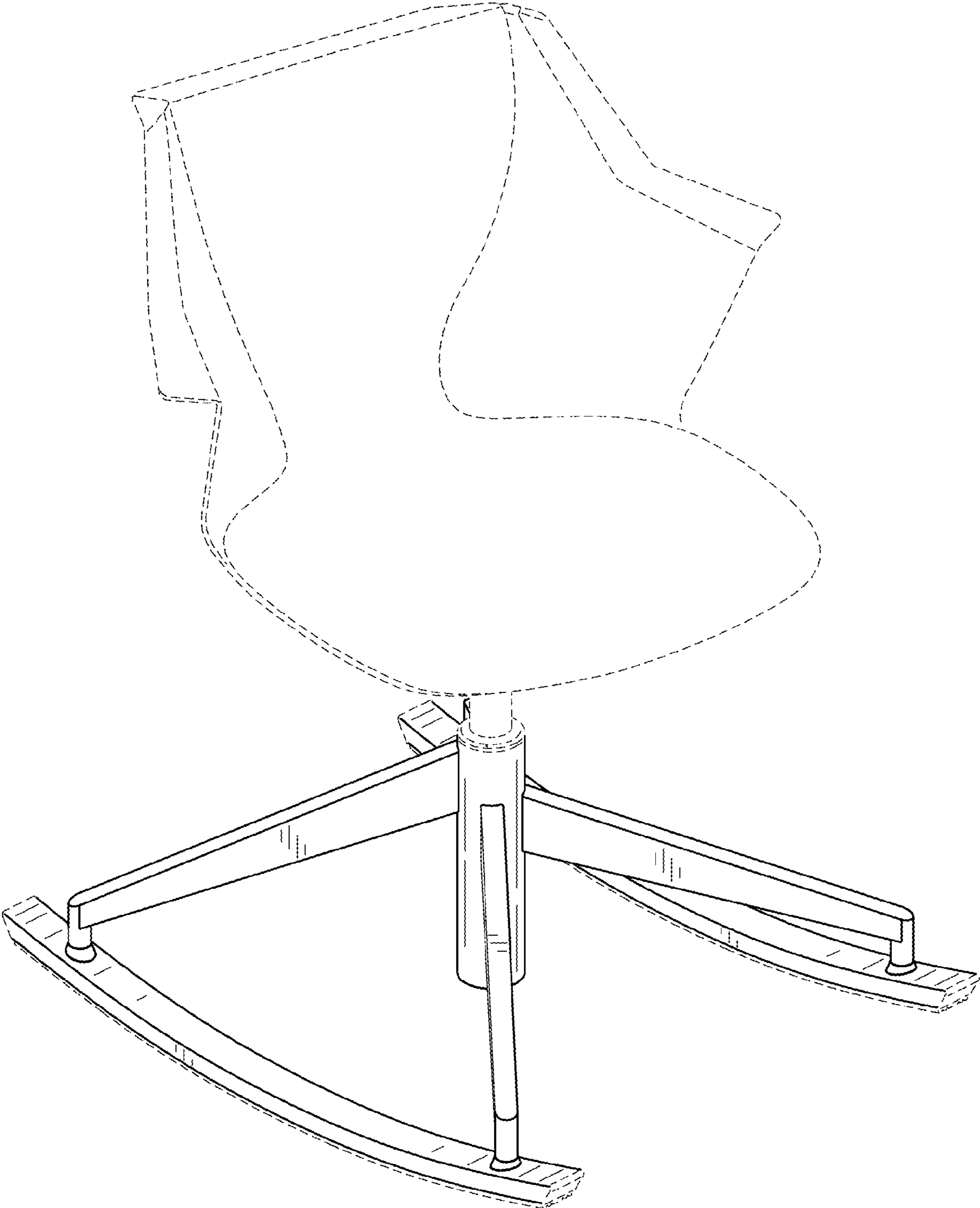


FIG. 1

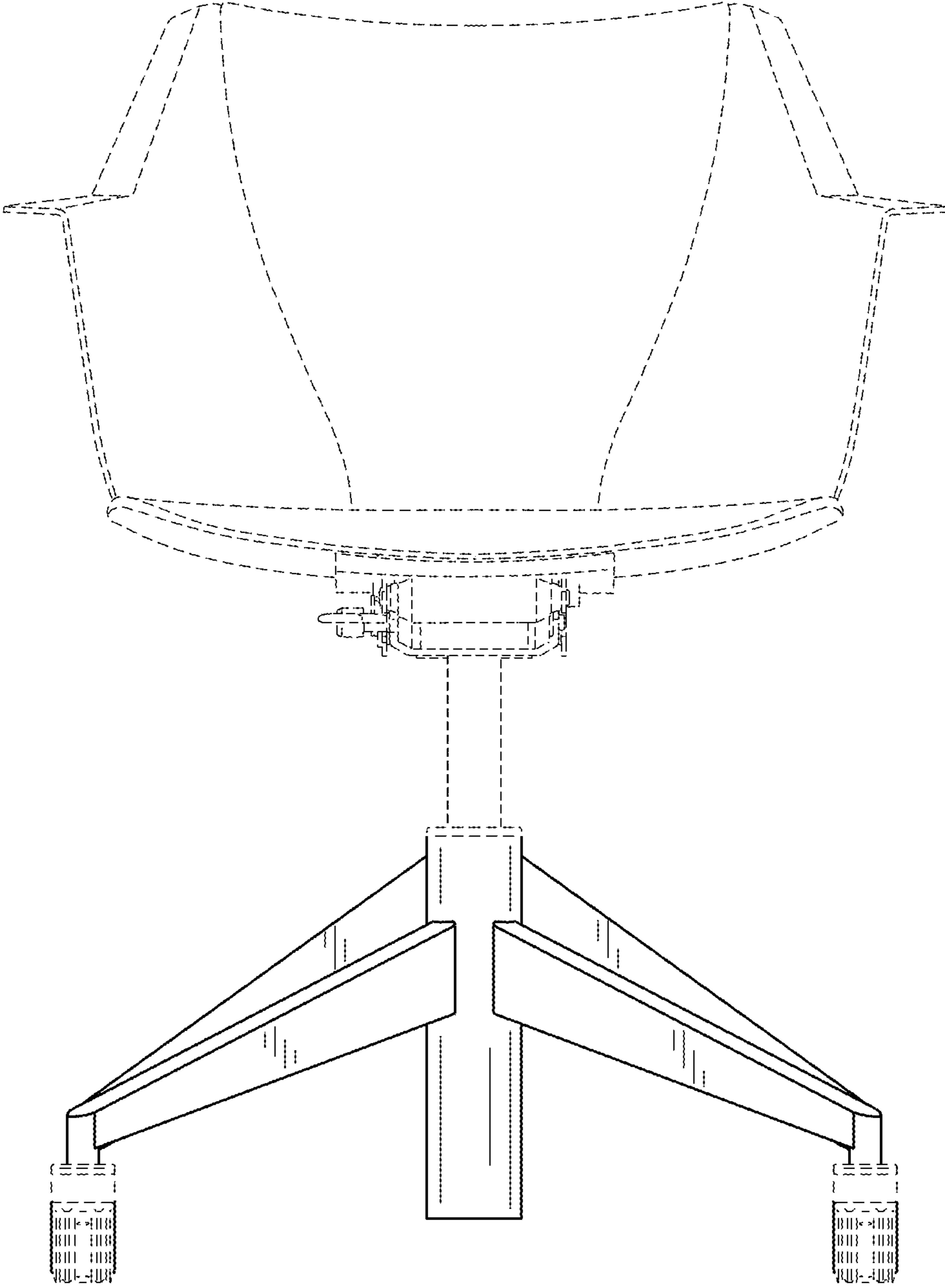


FIG. 2

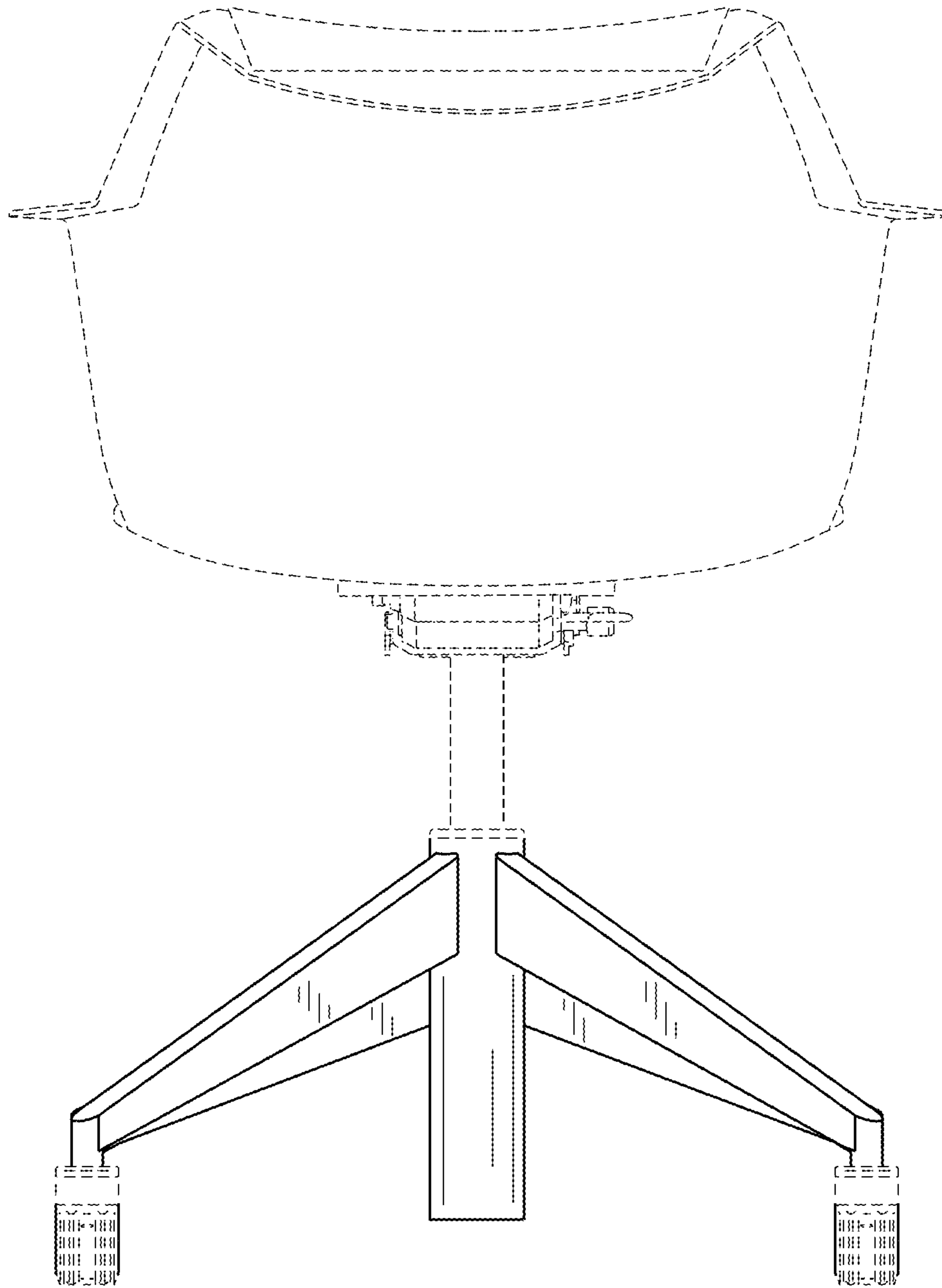


FIG. 3

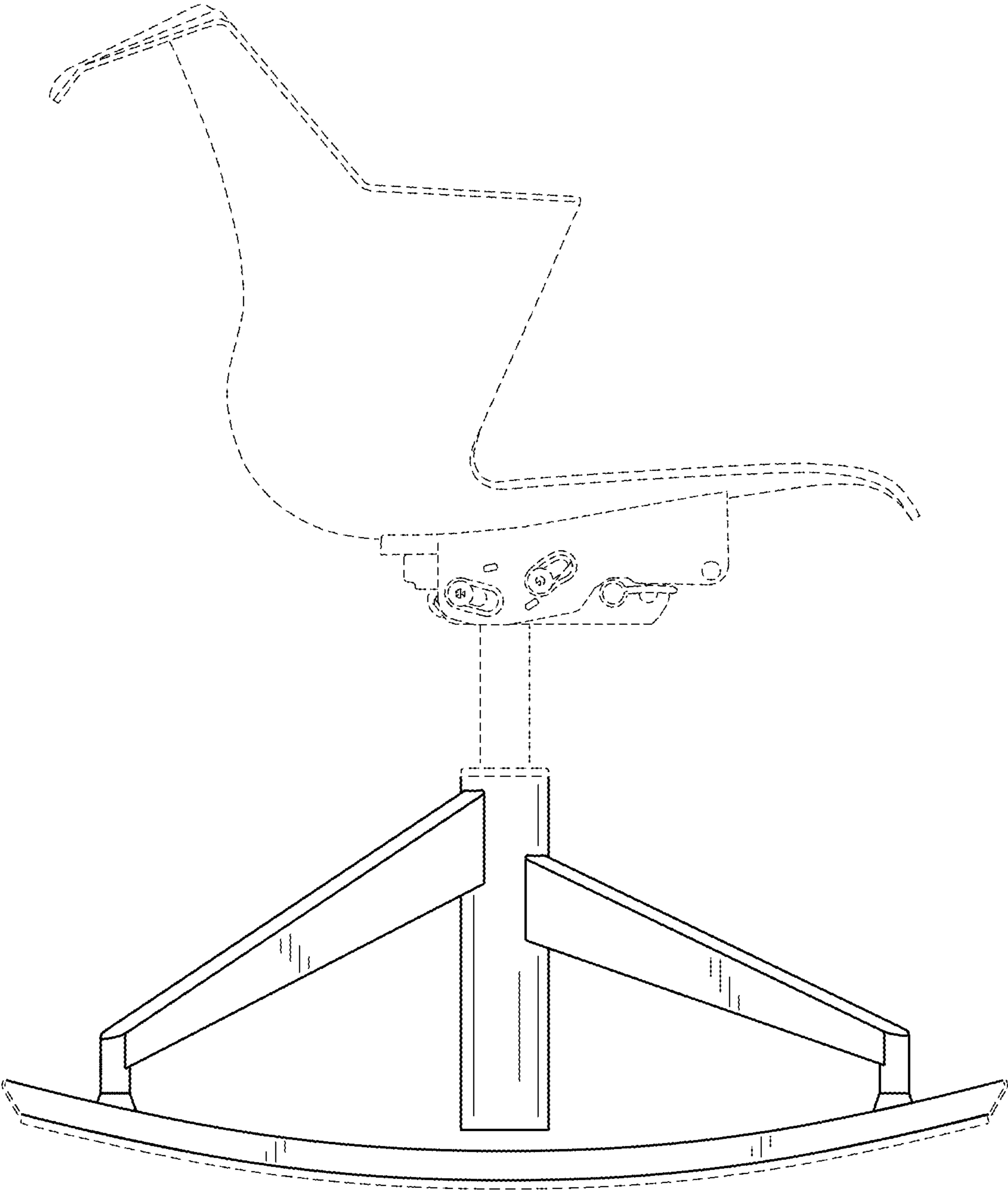


FIG. 4

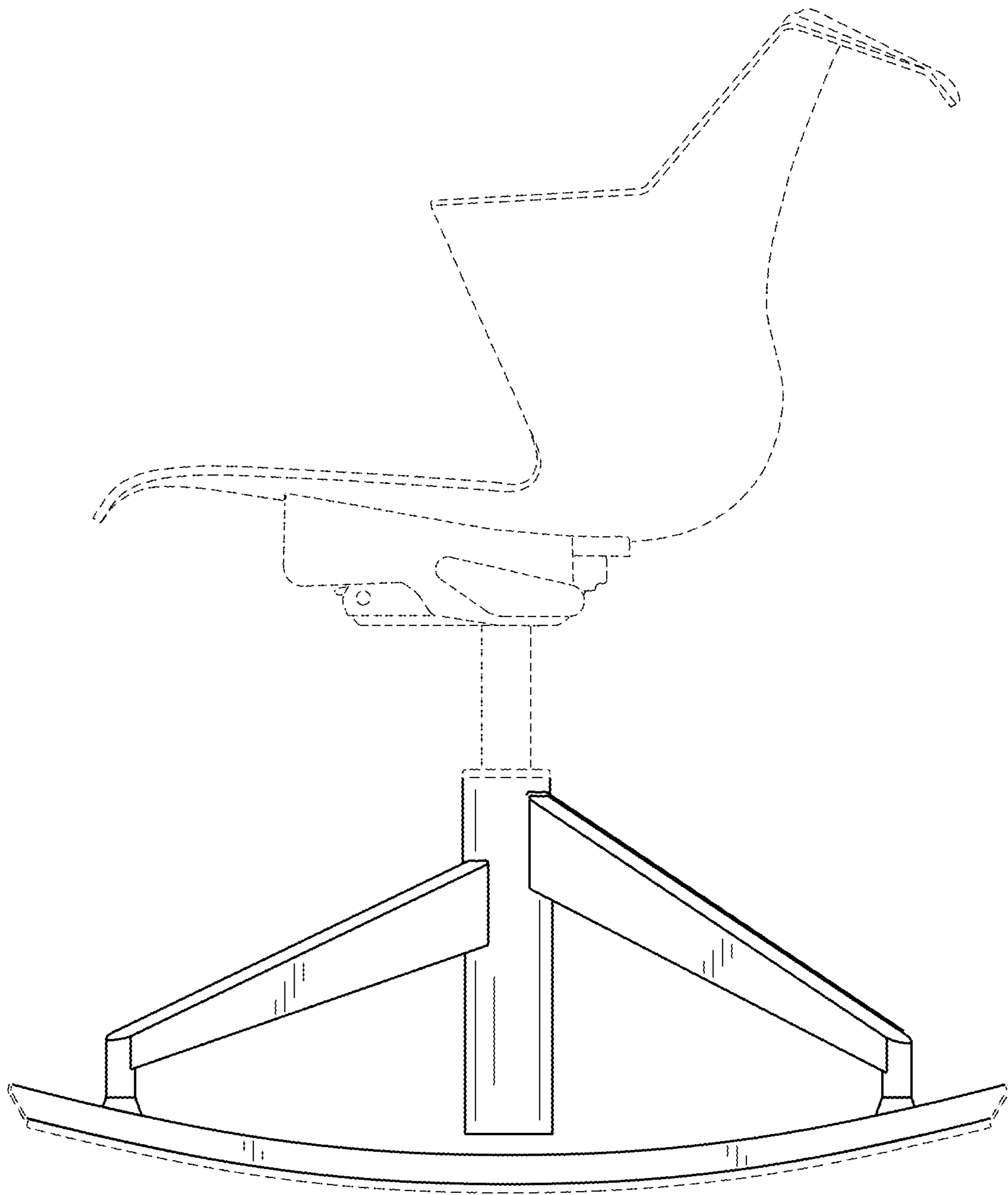


FIG. 5

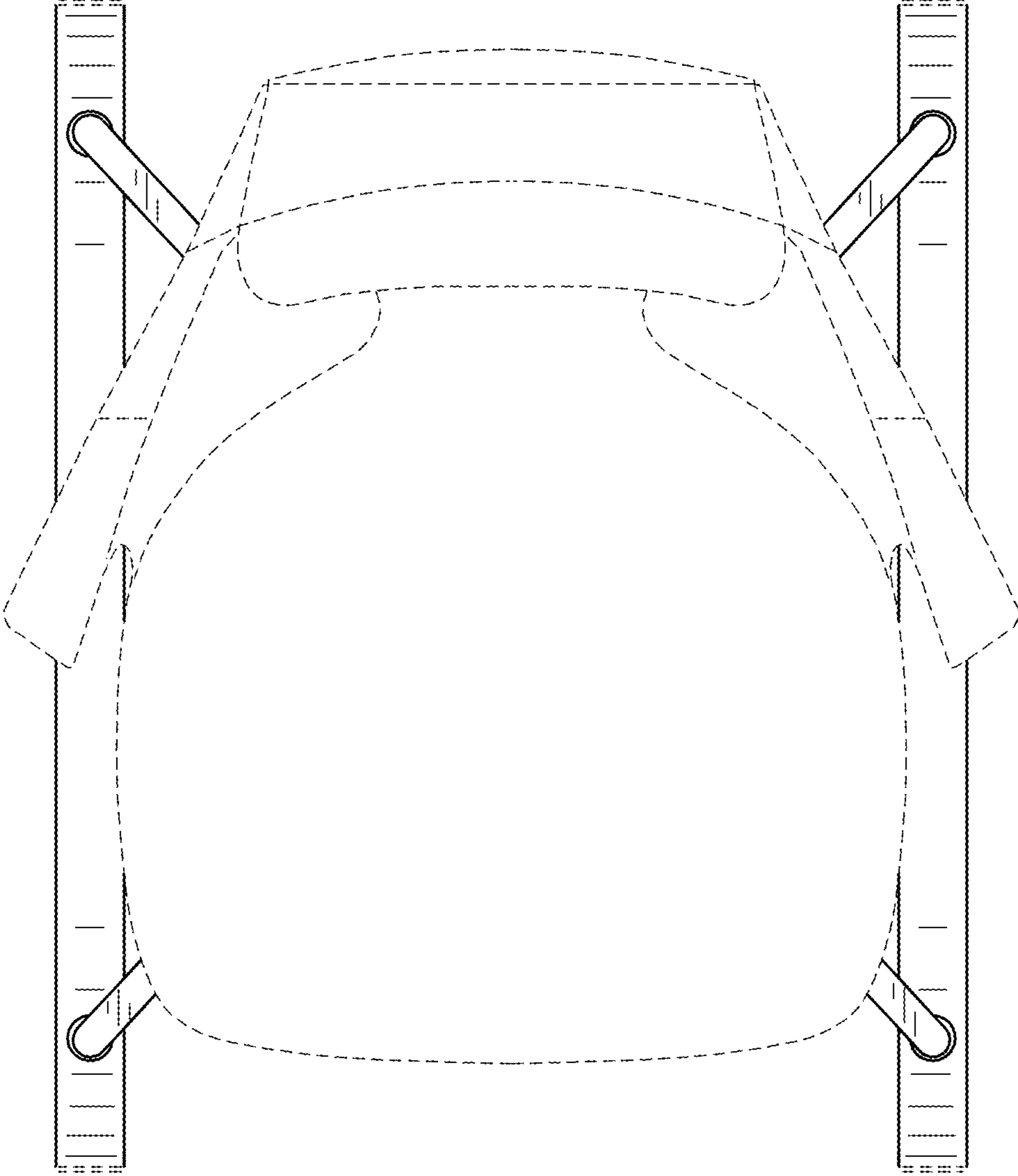


FIG. 6

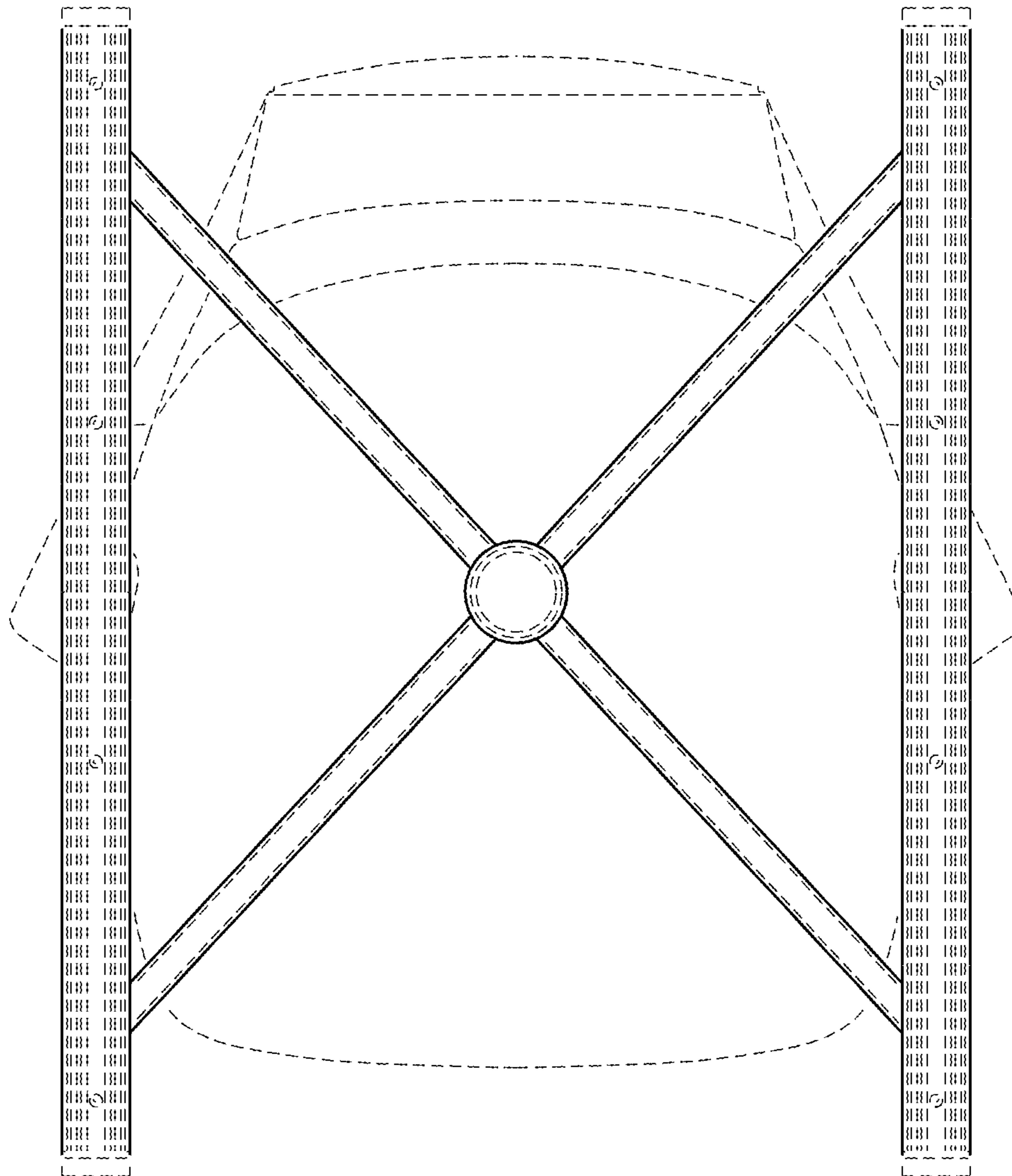


FIG. 7