



US00D889176S

(12) **United States Design Patent** (10) **Patent No.:** **US D889,176 S**  
**Derrick et al.** (45) **Date of Patent:** **\*\* Jul. 7, 2020**

(54) **BASE WITH POLE**

(56) **References Cited**

(71) Applicant: **Steelcase Inc.**, Grand Rapids, MI (US)

U.S. PATENT DOCUMENTS

(72) Inventors: **Sean M. Derrick**, Kalamazoo, MI (US); **Thomas Siffer**, Munich (DE); **Penghao Shan**, Munich (DE); **John M. Allen**, Grand Rapids, MI (US); **Justin G. Beitzel**, Grand Rapids, MI (US); **Alban Moriniere**, Munich (DE); **William Bennie**, Rockford, MI (US)

145,145 A	12/1873	Baggs	
1,425,582 A	8/1922	Feigler	
2,562,426 A *	7/1951	Hunter	A47B 13/081 108/62
2,838,351 A	6/1958	Siconolfi et al.	
D187,799 S *	5/1960	Saarinen	D6/708.2
2,981,578 A	4/1961	Saarinen	
D249,300 S	9/1978	Szabo et al.	
D269,291 S *	6/1983	Hofer	D23/366
D283,856 S	5/1986	Elmaleh	
D311,104 S	10/1990	Smith et al.	
D335,889 S	5/1993	Gibran	
D342,843 S	1/1994	Kuntz	
5,353,716 A	10/1994	Wilbert	
D357,605 S	4/1995	Kellen	
D364,287 S	11/1995	Jurasinski	
D376,935 S	12/1996	Nourse	
5,638,758 A	6/1997	Carr	

(73) Assignee: **Steelcase Inc.**, Grand Rapids, MI (US)

(\*\*) Term: **15 Years**

(21) Appl. No.: **29/683,315**

(22) Filed: **Mar. 12, 2019**

(Continued)

*Primary Examiner* — Mary Ann Calabrese

(74) *Attorney, Agent, or Firm* — Brinks Gilson & Lione

(57) **CLAIM**

We claim the ornamental design for a base with pole, as shown and described.

**DESCRIPTION**

FIG. 1 is a top perspective view of a base with pole;  
FIG. 2 is a top plan view thereof;  
FIG. 3 is a bottom plan view thereof;  
FIG. 4 is a front elevation view thereof;  
FIG. 5 is a rear elevation view thereof;  
FIG. 6 is a right side elevation view thereof; and,  
FIG. 7 is a left side elevation view thereof.  
The broken lines in the drawings illustrate portions of the base with pole that form no part of the claimed design. FIGS. 1 and 5 through 7 include a symbolic break in the height of the base with pole, where the portion between the symbolic break lines forms no part of the claimed design.

**Related U.S. Application Data**

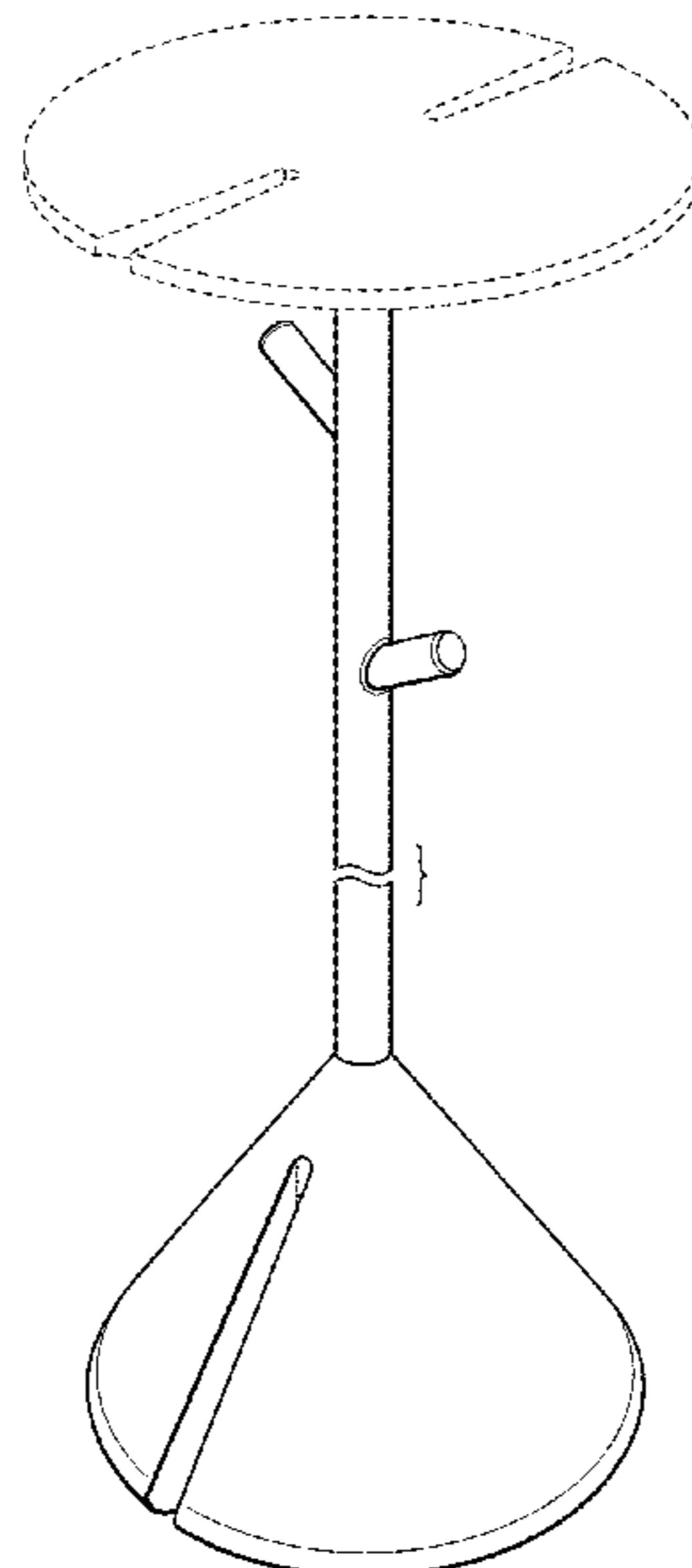
(63) Continuation of application No. 29/662,290, filed on Sep. 4, 2018, and a continuation of application No. 29/662,240, filed on Sep. 4, 2018.

(51) **LOC (12) Cl.** ..... **06-06**

(52) **U.S. Cl.**  
USPC ..... **D6/708.2**

(58) **Field of Classification Search**  
USPC ..... D6/349, 641, 377, 377.5, 685, 686, 690, D6/692, 692.1-692.6, 702, 708, 708.16, D6/708.17, 708.2; D21/386  
CPC ..... A47B 7/00; A47B 13/00; A47B 13/02; A47B 13/04; A47B 13/06; A47B 13/08; A47B 17/00; A47B 21/00; A47B 2200/0001; A47B 2200/0011; A47B 2200/002  
See application file for complete search history.

**1 Claim, 6 Drawing Sheets**



(56)

**References Cited**

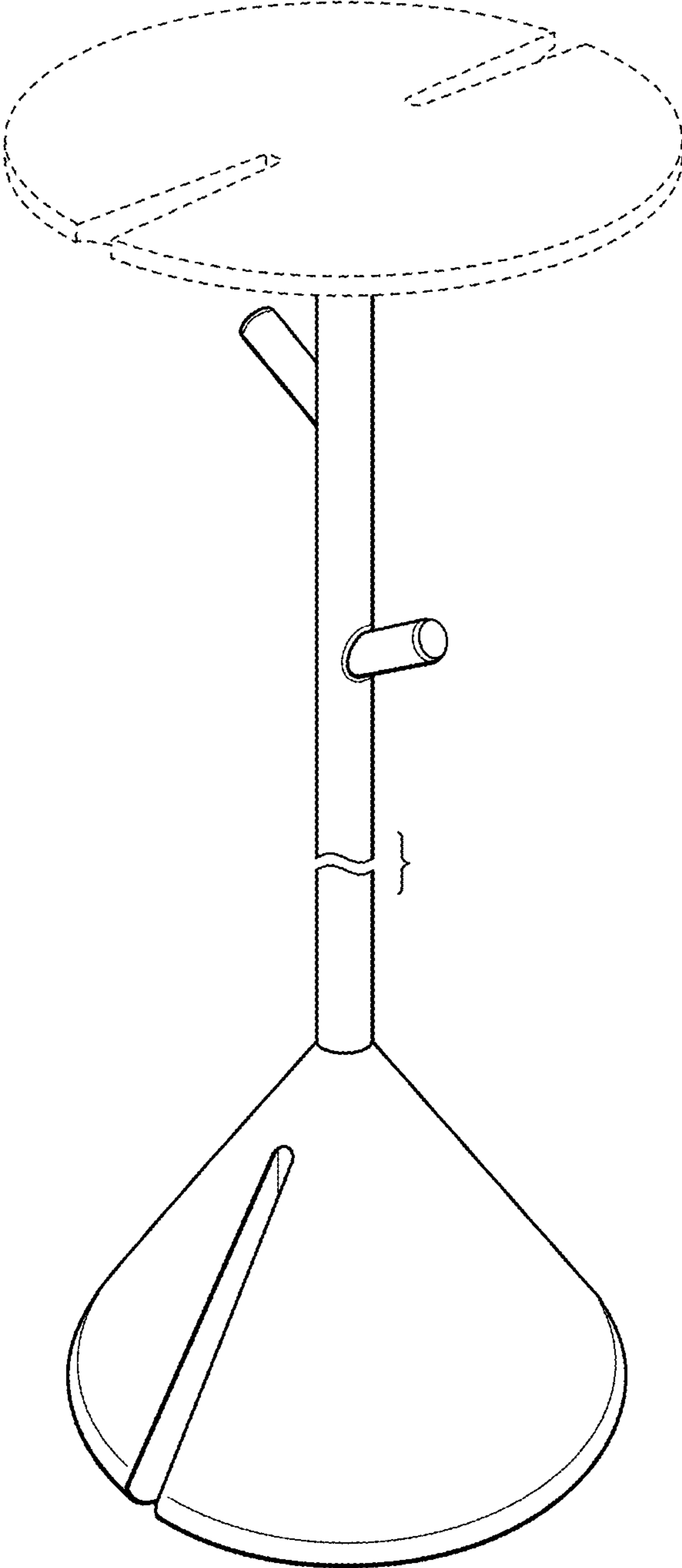
U.S. PATENT DOCUMENTS

D387,585	S	12/1997	Shields	
6,053,461	A	4/2000	Goss	
D436,270	S	1/2001	Kane	
D447,649	S	9/2001	Mason	
D447,893	S	9/2001	Simonelli et al.	
D459,623	S	7/2002	Tramontina	
6,662,731	B2	12/2003	Teppo et al.	
D495,536	S	9/2004	Lucht	
6,820,847	B2	11/2004	Camarota et al.	
D502,786	S	3/2005	Cheung	
D531,839	S	11/2006	Lade	
D581,705	S	12/2008	Li	
D593,778	S	6/2009	Muhich	
D611,737	S	3/2010	Miller et al.	
D613,096	S	4/2010	Stoepker	
D642,828	S	8/2011	Unterrainer et al.	
D644,857	S	9/2011	Unterrainer et al.	
D648,960	S	11/2011	Starck et al.	
D650,613	S	12/2011	Starck	
D651,028	S	12/2011	Grimaldi	
D656,345	S	3/2012	Grimaldi	
D668,464	S	10/2012	Du	
D671,772	S	12/2012	Lee et al.	
8,550,014	B1	10/2013	Mariani	
D741,073	S	10/2015	Keen et al.	
D808,183	S	1/2018	Ono	
D833,190	S *	11/2018	Handler .....	D6/692.3
2005/0178300	A1 *	8/2005	Garfinkle .....	A47B 13/023

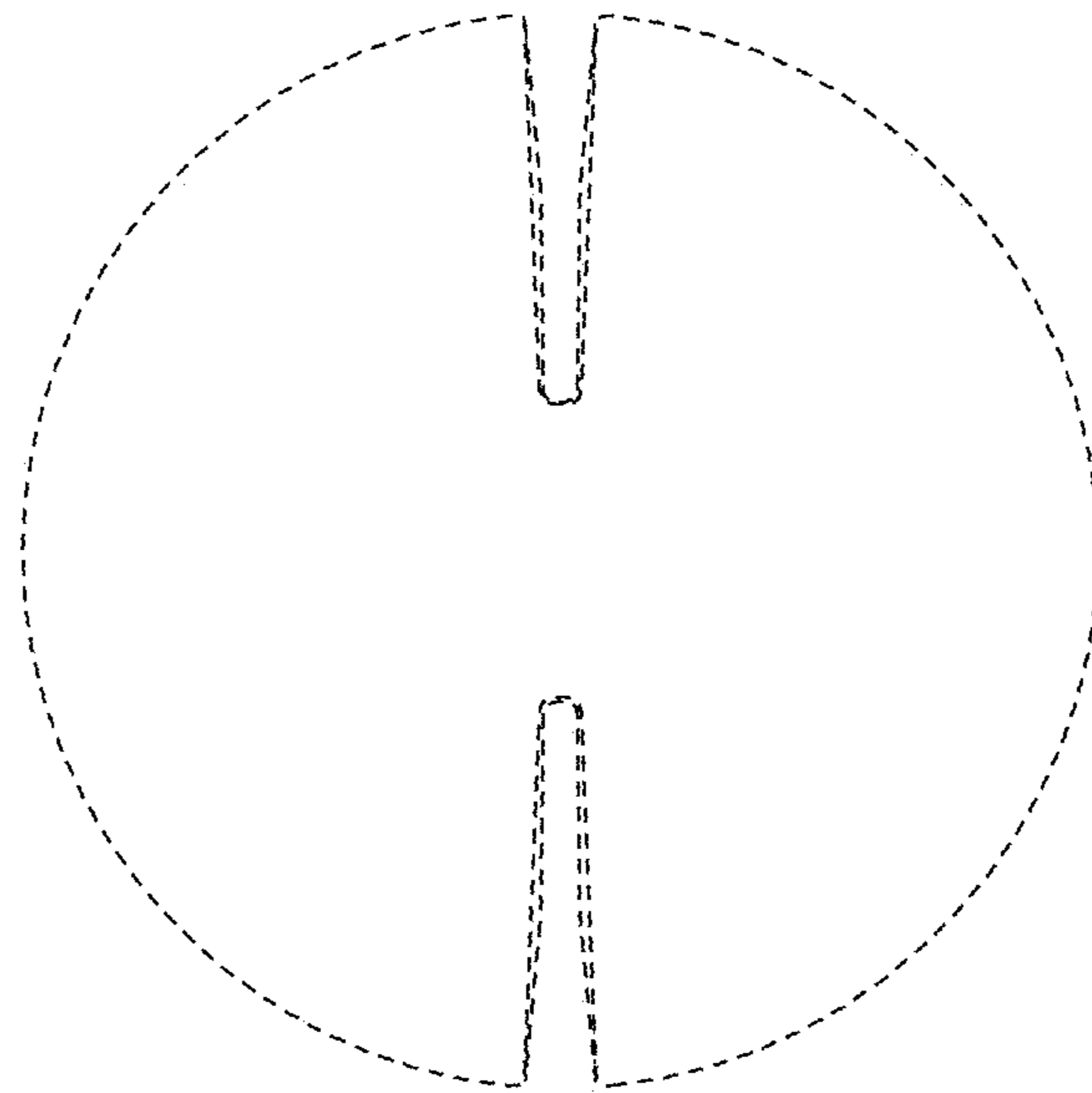
108/150

\* cited by examiner

FIG. 1



**FIG. 2**



**FIG. 3**

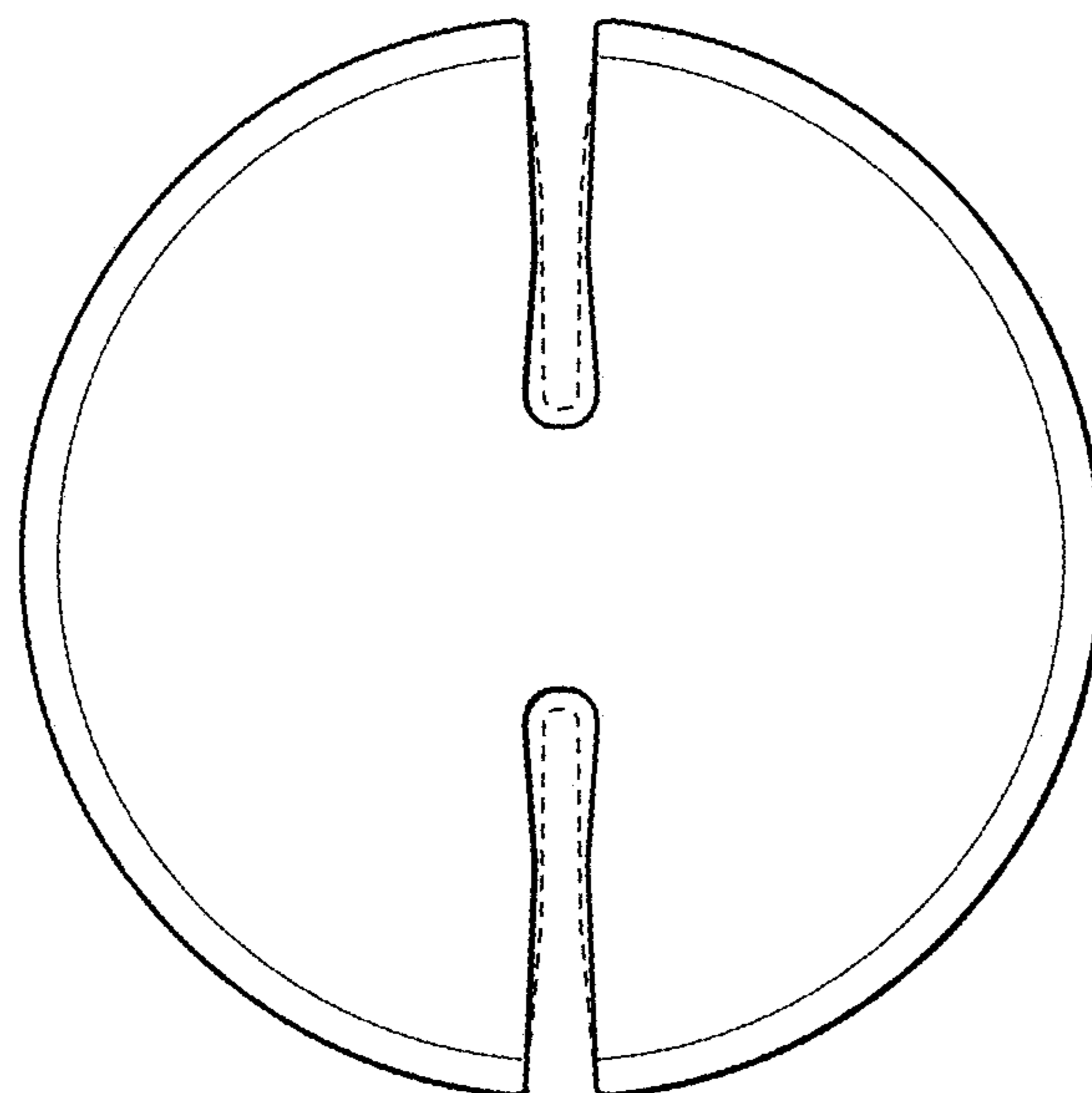


FIG. 4

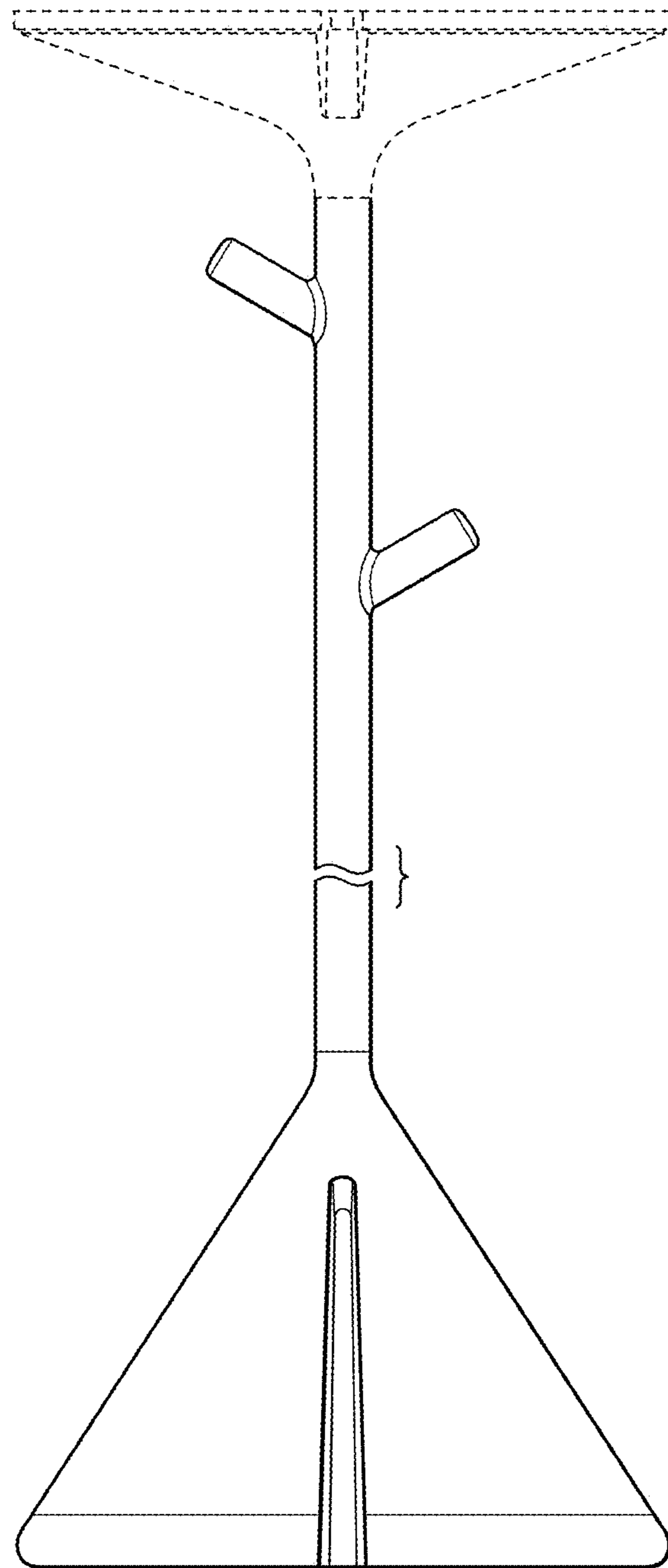


FIG. 5

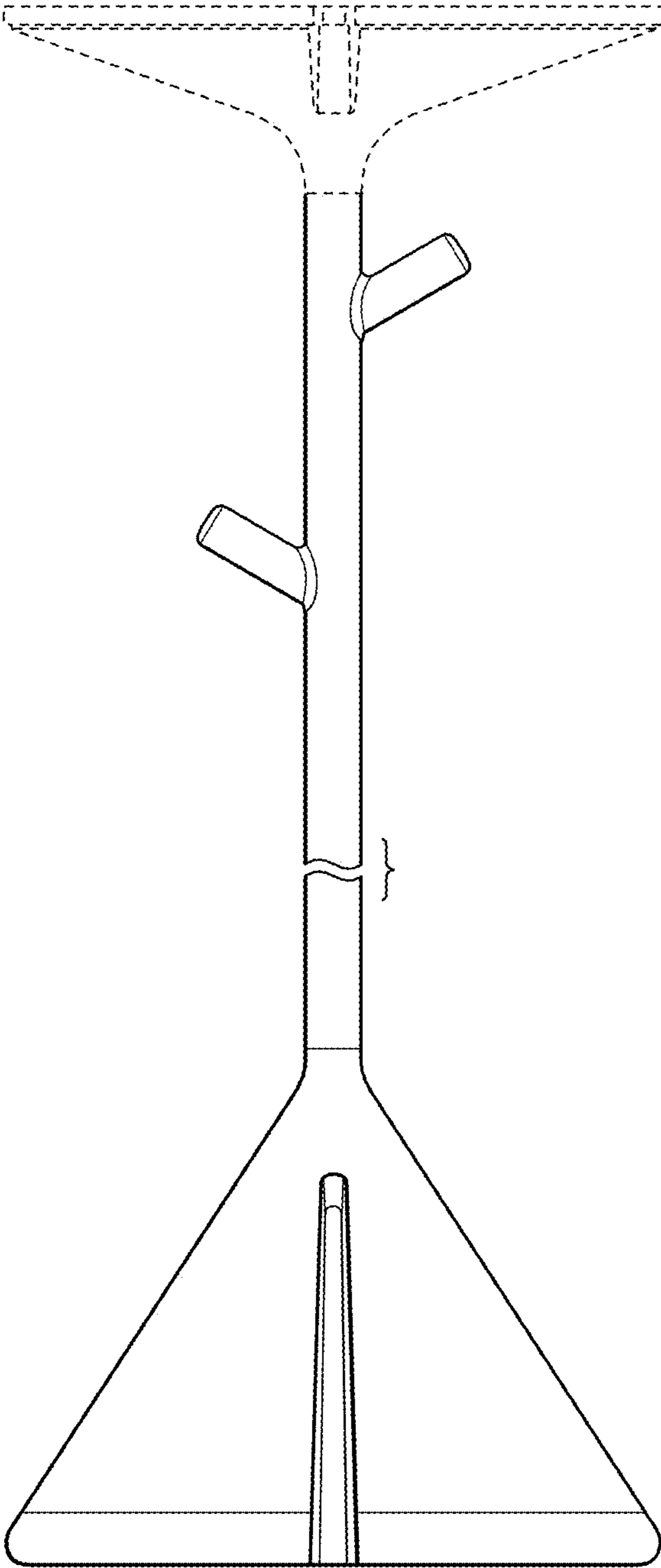


FIG. 6

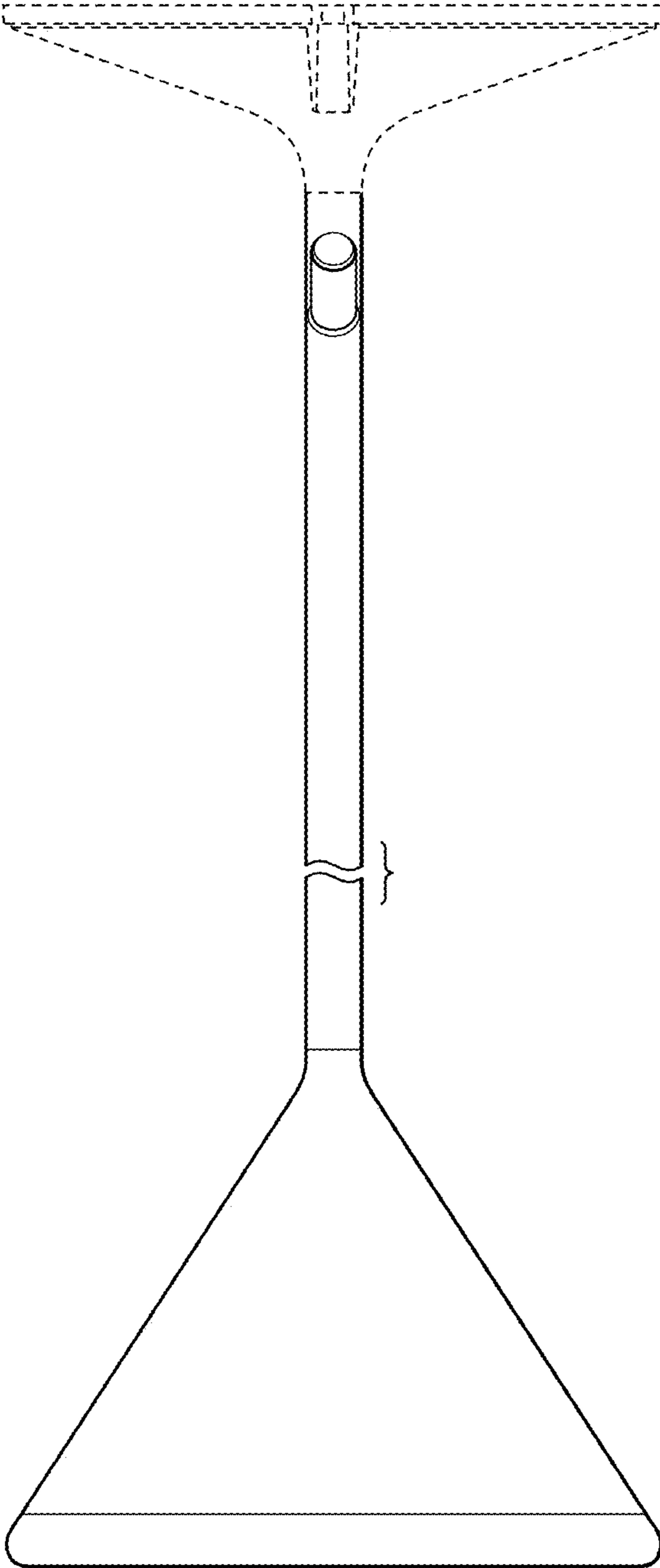


FIG. 7

