



US00D889174S

(12) **United States Design Patent**  
**Clayton**

(10) **Patent No.:** **US D889,174 S**  
(45) **Date of Patent:** **\*\* Jul. 7, 2020**

- (54) **PIVOTABLE SHELF**
- (71) Applicant: **Dennis Clayton**, Covington, GA (US)
- (72) Inventor: **Dennis Clayton**, Covington, GA (US)
- (\*\*) Term: **15 Years**
- (21) Appl. No.: **29/642,836**
- (22) Filed: **Apr. 2, 2018**
- (51) **LOC (12) Cl.** ..... **06-06**
- (52) **U.S. Cl.**  
USPC ..... **D6/705.1**
- (58) **Field of Classification Search**  
USPC ..... D6/312, 672, 678, 678.1, 679, 704, 705,  
D6/705.1, 707; D7/500, 501  
CPC ..... A47B 46/00; A47B 46/005; A47B 49/00;  
A47B 96/02; A47F 5/025; A47F 5/0043  
See application file for complete search history.

D443,165 S *	6/2001	Petri	.....	D6/574
D485,716 S *	1/2004	Boron	.....	D6/574
D493,311 S *	7/2004	Searer	.....	D6/705
7,093,726 B1 *	8/2006	Holztrager	.....	A47F 5/0043
				211/153
D595,088 S *	6/2009	Watts	.....	D7/501
D633,182 S *	2/2011	Cohen	.....	D23/249
D661,577 S *	6/2012	Strilich	.....	D9/424
D814,219 S *	4/2018	Clayton	.....	D6/705.1
D814,220 S *	4/2018	Clayton	.....	D6/705.1
D866,264 S *	11/2019	Sayler	.....	D7/554.2

\* cited by examiner

*Primary Examiner* — Kelley A Donnelly  
(74) *Attorney, Agent, or Firm* — Michael J. Bootcheck;  
Michael J. Bootcheck, LLC

(57) **CLAIM**

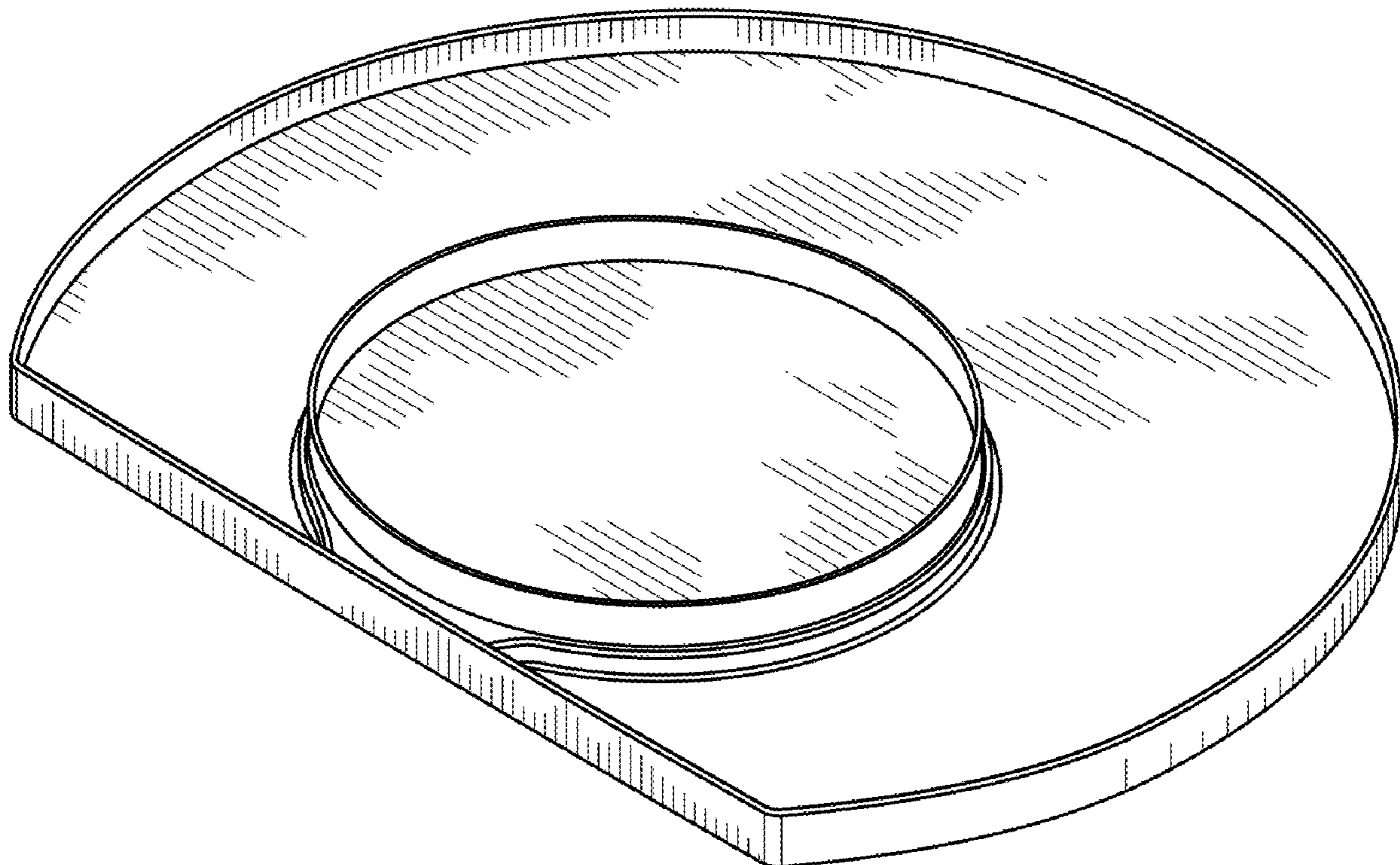
The ornamental design for a pivotable shelf, as shown and described.

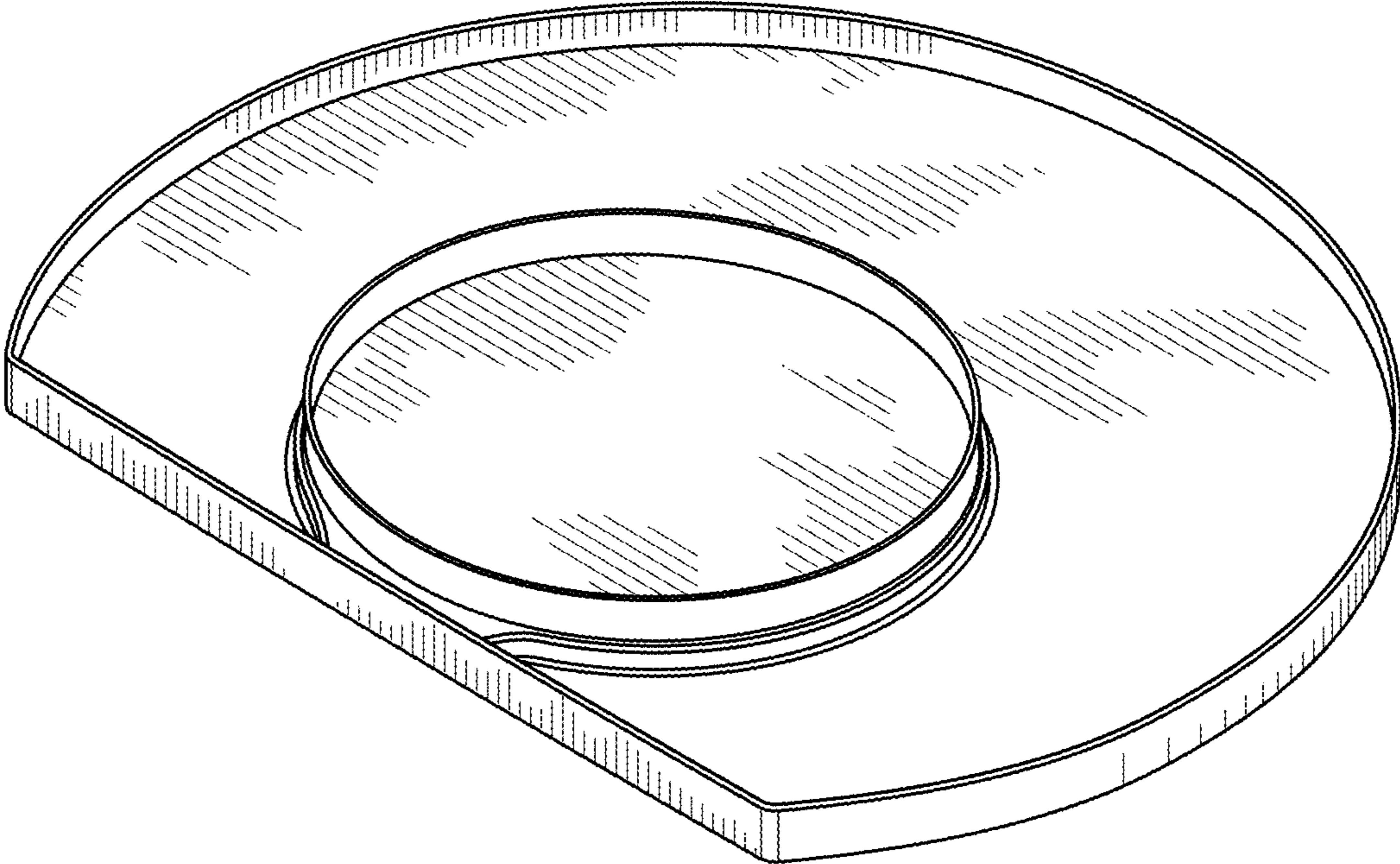
**DESCRIPTION**

FIG. 1 is an upper perspective view of the pivotable shelf;  
FIG. 2 is a bottom perspective view thereof;  
FIG. 3 front view thereof;  
FIG. 4 is a rear view thereof;  
FIG. 5 is a side view thereof;  
FIG. 6 is an opposite side view thereof;  
FIG. 7 is a top view thereof; and,  
FIG. 8 is a bottom view thereof with optional components in phantom lines and not a claimed part of this invention.

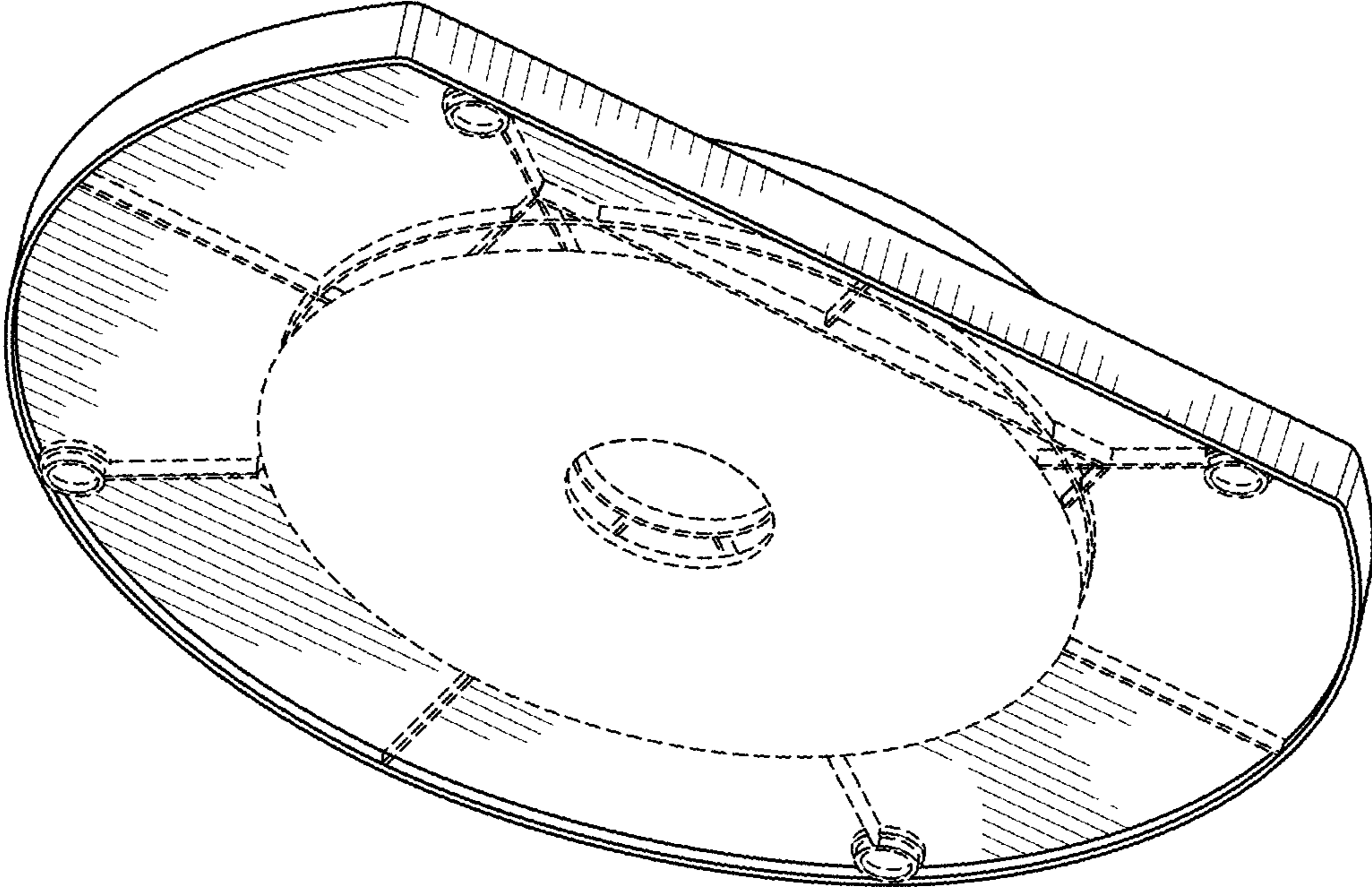
**1 Claim, 4 Drawing Sheets**

- (56) **References Cited**  
U.S. PATENT DOCUMENTS
- 3,636,299 A \* 1/1972 Stewart, Jr. .... A47J 27/004  
219/201
- D364,057 S \* 11/1995 Bowman ..... D6/705.7
- D370,148 S \* 5/1996 Maharg ..... D6/574
- D371,958 S \* 7/1996 Keaton ..... D7/388
- D378,792 S \* 4/1997 Westcott ..... D7/501
- D388,988 S \* 1/1998 Twellmann ..... D6/705
- D403,546 S \* 1/1999 Moon ..... D6/574
- D436,269 S \* 1/2001 Kane ..... D6/341

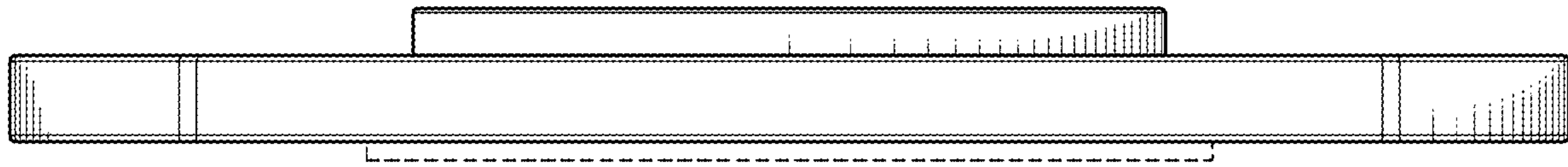




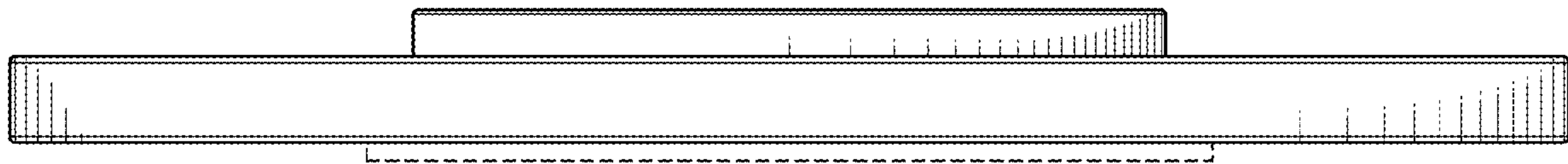
**FIG. 1**



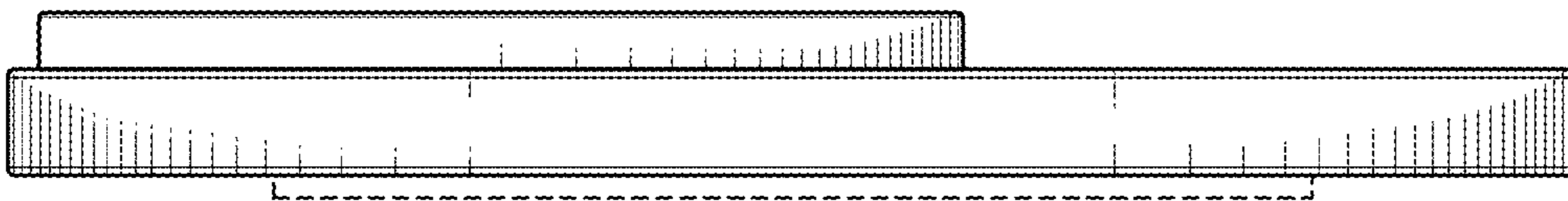
**FIG. 2**



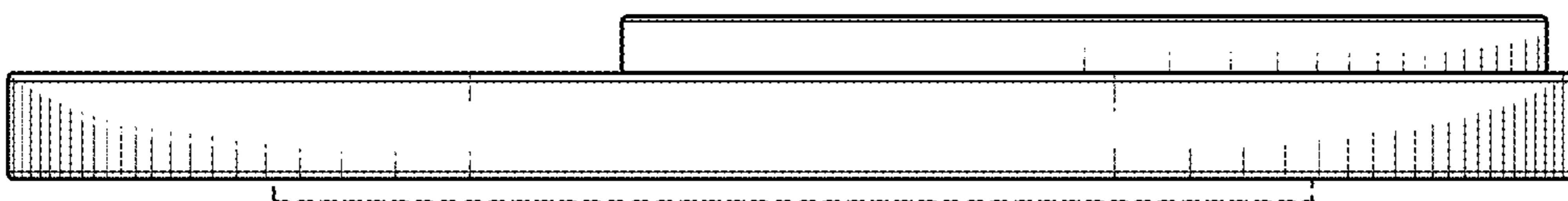
**FIG. 3**



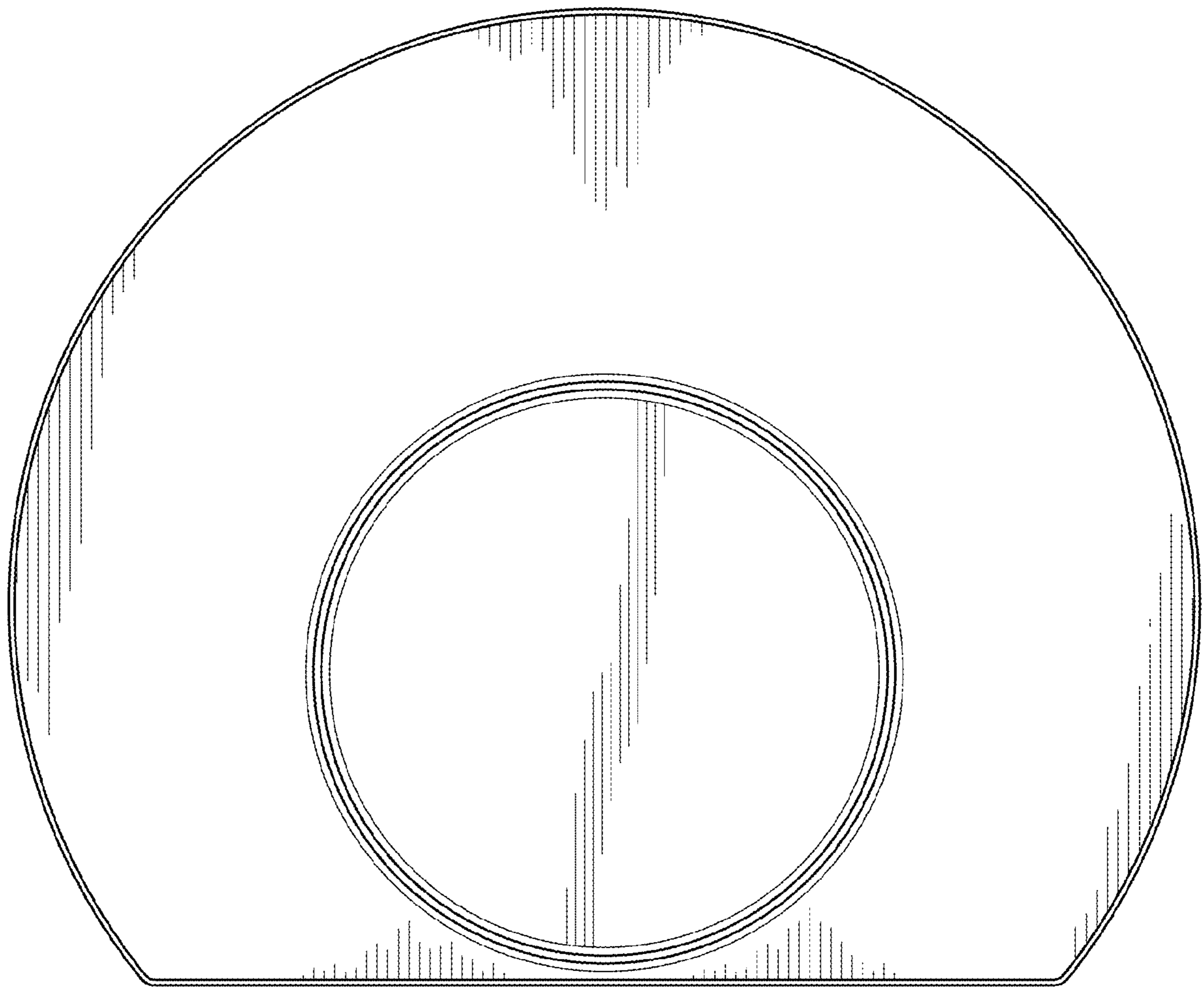
**FIG. 4**



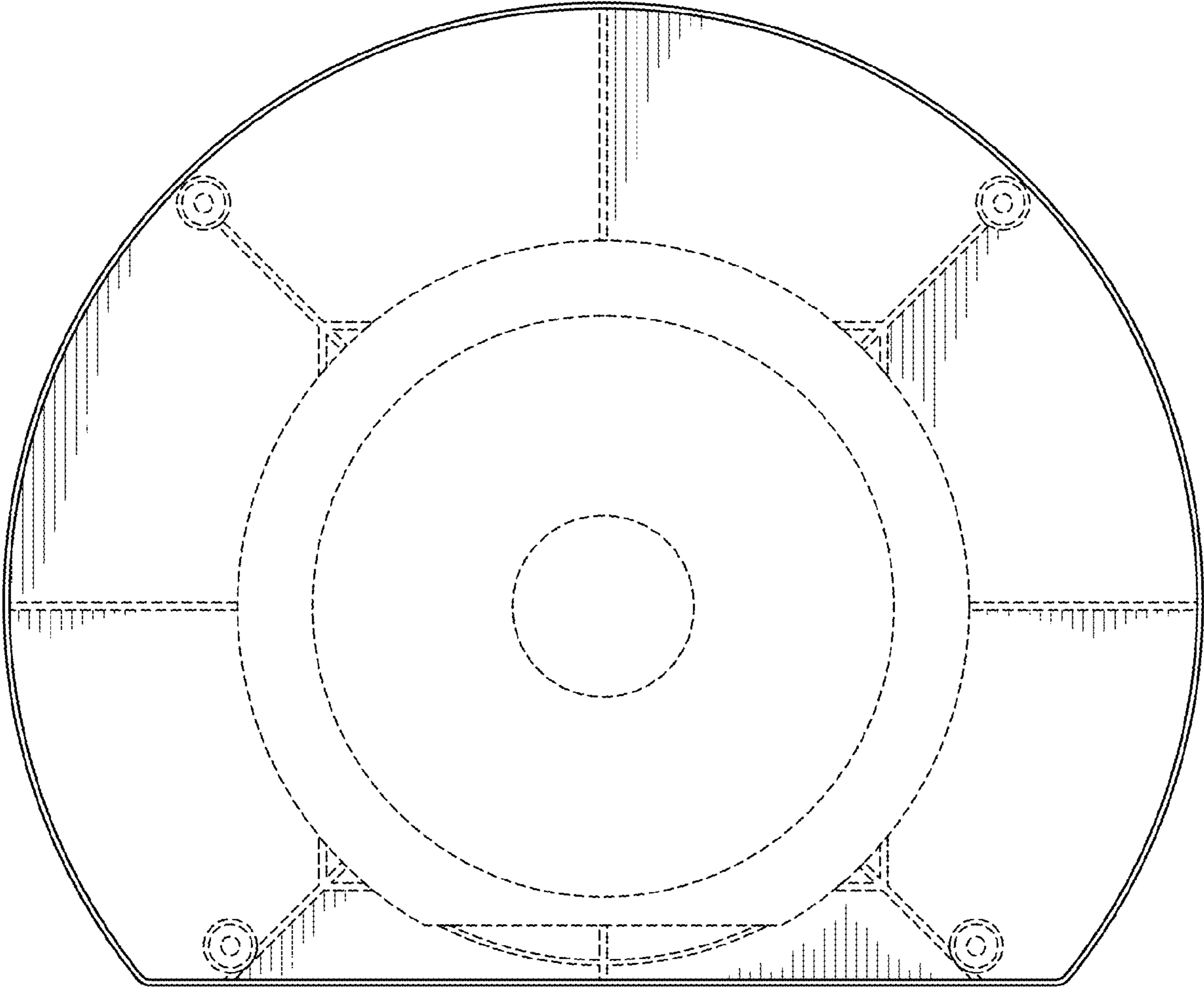
**FIG. 5**



**FIG. 6**



**FIG. 7**



**FIG. 8**