



US00D889173S

(12) **United States Design Patent**
Clayton

(10) **Patent No.:** **US D889,173 S**

(45) **Date of Patent:** **** Jul. 7, 2020**

(54) **PIVOTABLE SHELF**

(71) Applicant: **Dennis Clayton**, Covington, GA (US)

(72) Inventor: **Dennis Clayton**, Covington, GA (US)

(**) Term: **15 Years**

(21) Appl. No.: **29/642,835**

(22) Filed: **Apr. 2, 2018**

(51) **LOC (12) Cl.** **06-06**

(52) **U.S. Cl.**
USPC **D6/705.1**

(58) **Field of Classification Search**
USPC D6/312, 672, 678, 678.1, 679, 704, 705,
D6/705.1, 707; D7/500, 501

CPC A47B 46/00; A47B 46/005; A47B 49/00;
A47B 96/02; A47F 5/025; A47F 5/0043

See application file for complete search history.

(56) **References Cited**

U.S. PATENT DOCUMENTS

D213,599 S *	3/1969	Siebel	D6/677
3,636,299 A *	1/1972	Stewart, Jr.	A47J 27/004
				219/201
4,738,495 A *	4/1988	Mitts	A47B 49/006
				108/140
D364,057 S *	11/1995	Bowman	D6/705.7
D370,148 S *	5/1996	Maharg	D6/574
D371,958 S *	7/1996	Keaton	D7/388
D378,792 S *	4/1997	Westcott	D7/501
D388,988 S *	1/1998	Twellmann	D6/705
D403,546 S *	1/1999	Moon	D6/574
D436,269 S *	1/2001	Kane	D6/341

D443,165 S *	6/2001	Petri	D6/574
D485,716 S *	1/2004	Boron	D6/574
D493,311 S *	7/2004	Searer	D6/705
7,093,726 B1 *	8/2006	Holztrager	A47F 5/0043
				211/153
D595,088 S *	6/2009	Watts	D7/501
D633,182 S *	2/2011	Cohen	D23/249
D661,577 S *	6/2012	Strilich	D9/424
D798,639 S *	10/2017	Halvorson, Jr.	D6/705.1
D814,219 S *	4/2018	Clayton	D6/705.1
D814,220 S *	4/2018	Clayton	D6/705.1
D866,264 S *	11/2019	Sayler	D7/554.2
D868,511 S *	12/2019	McBride	D6/677.1

* cited by examiner

Primary Examiner — Kelley A Donnelly

(74) *Attorney, Agent, or Firm* — Michael J. Bootcheck;
Michael J. Bootcheck, LLC

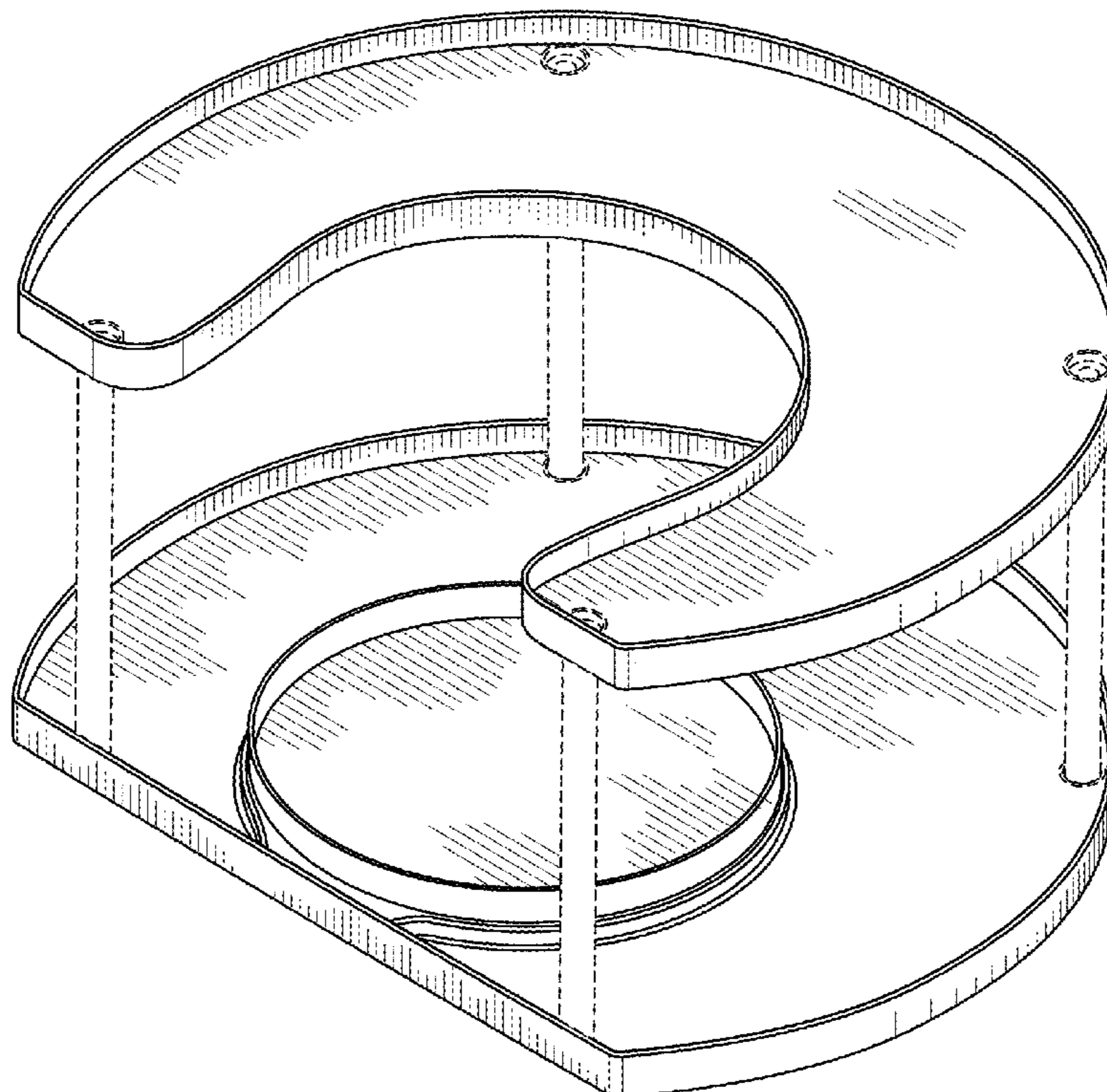
(57) **CLAIM**

The ornamental design for a pivotable shelf, as shown and described.

DESCRIPTION

FIG. 1 is an upper perspective view of the pivotable shelf; FIG. 2 is a bottom perspective view thereof; FIG. 3 front view thereof; FIG. 4 is a rear view thereof; FIG. 5 is a side view thereof; FIG. 6 is an opposite side view thereof; FIG. 7 is a top view thereof; and, FIG. 8 is a bottom view thereof with optional components in phantom lines and not a claimed part of this invention.

1 Claim, 6 Drawing Sheets



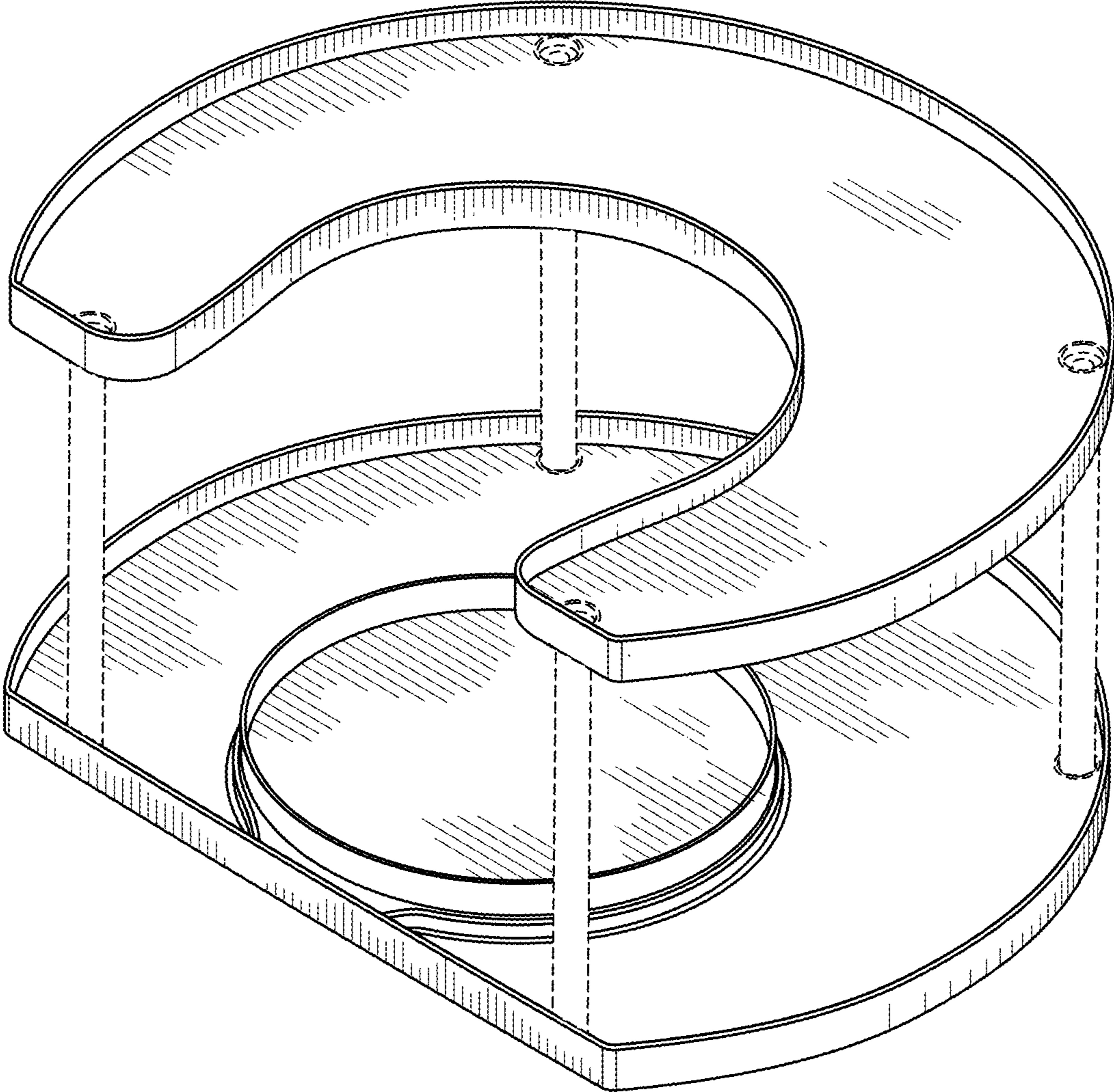


FIG. 1

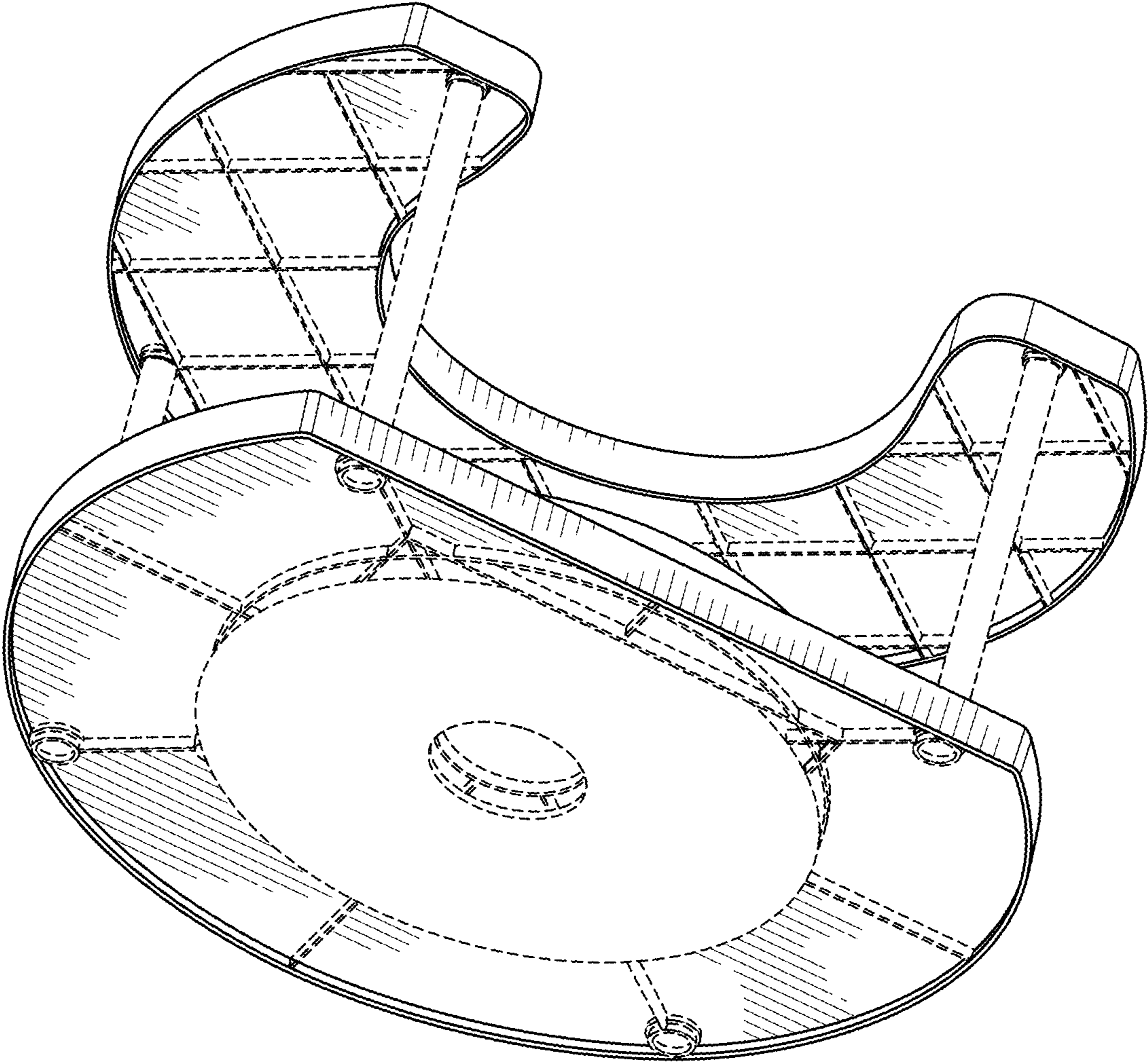


FIG. 2

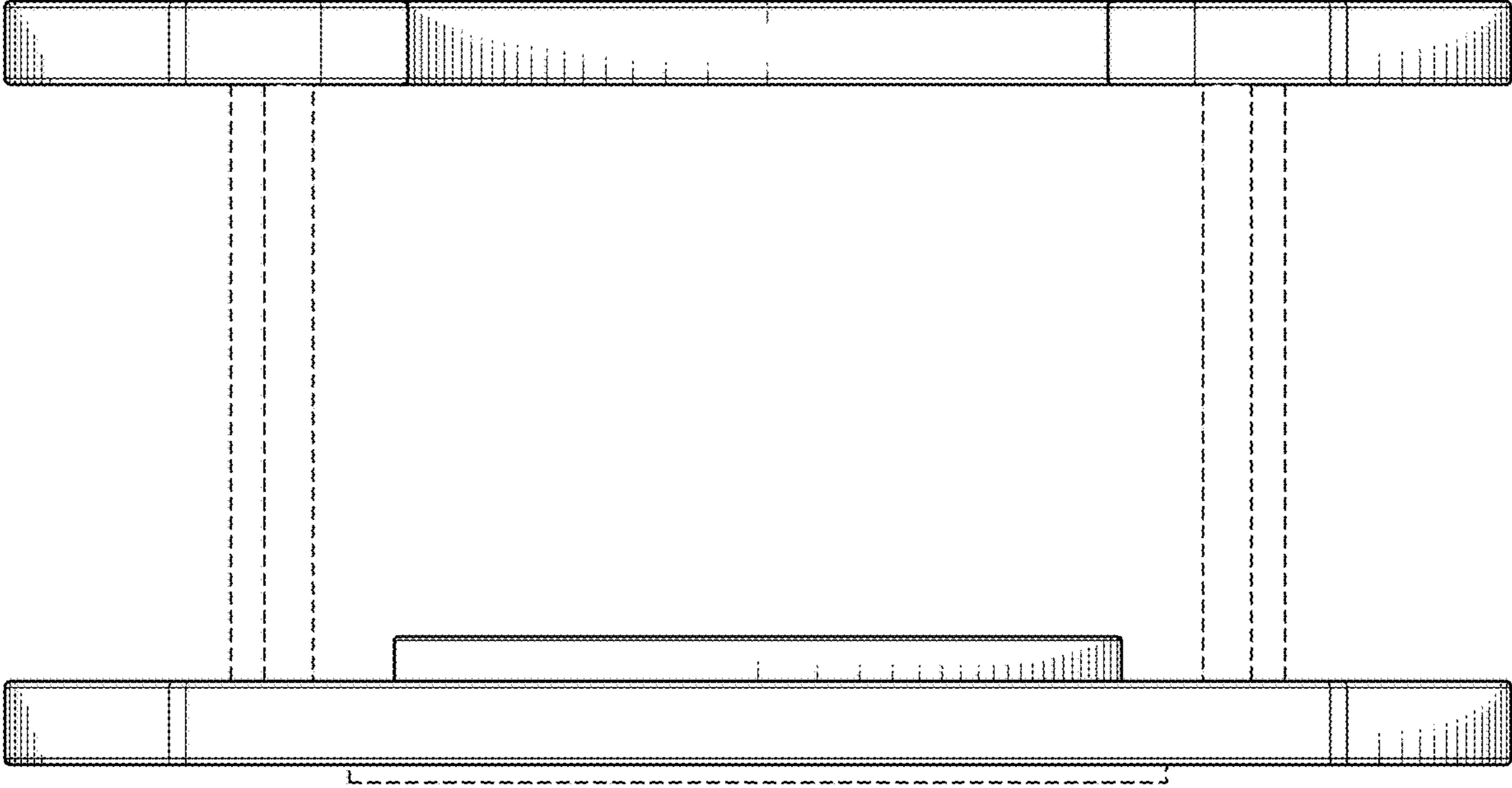


FIG. 3

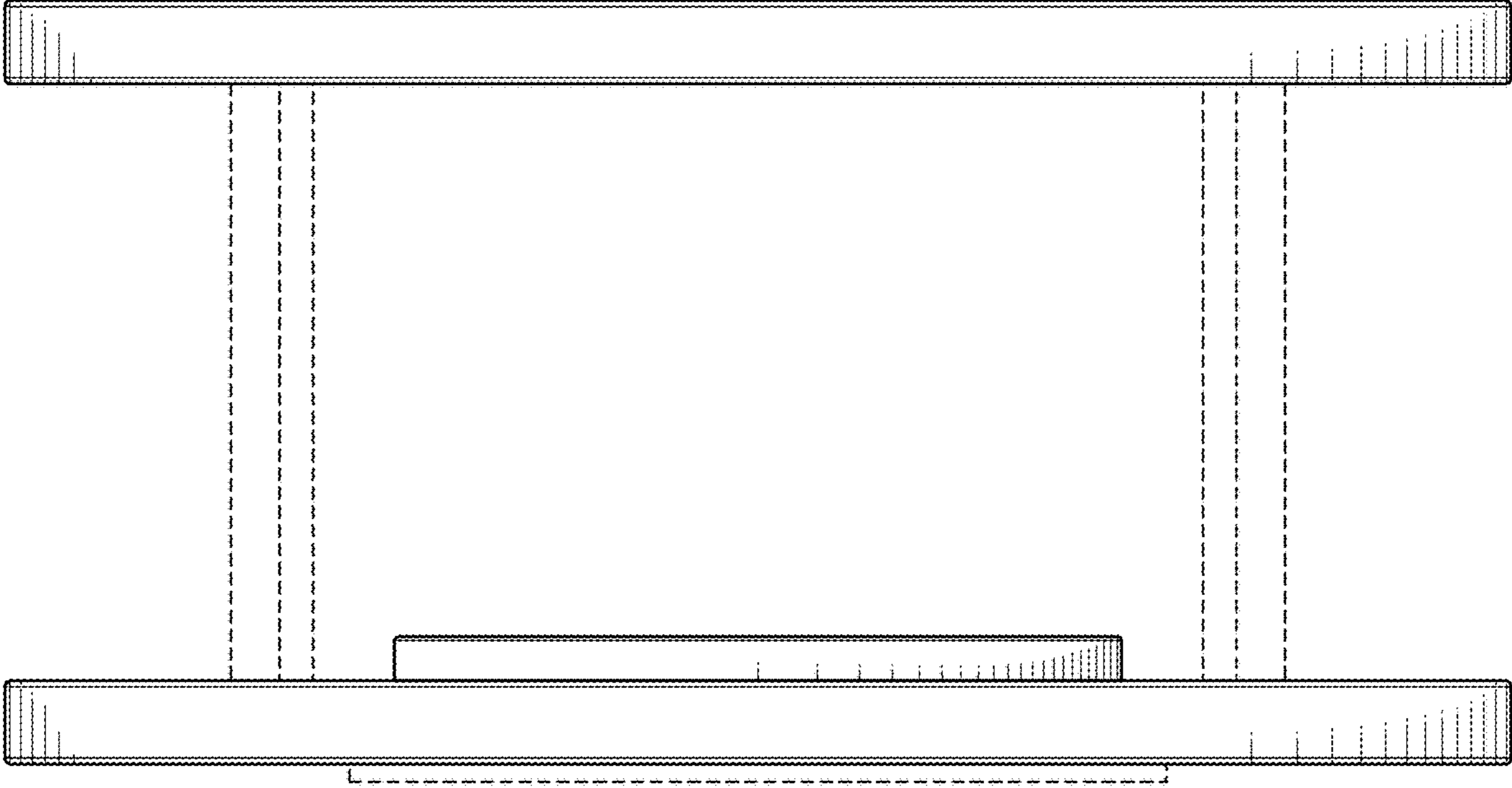


FIG. 4

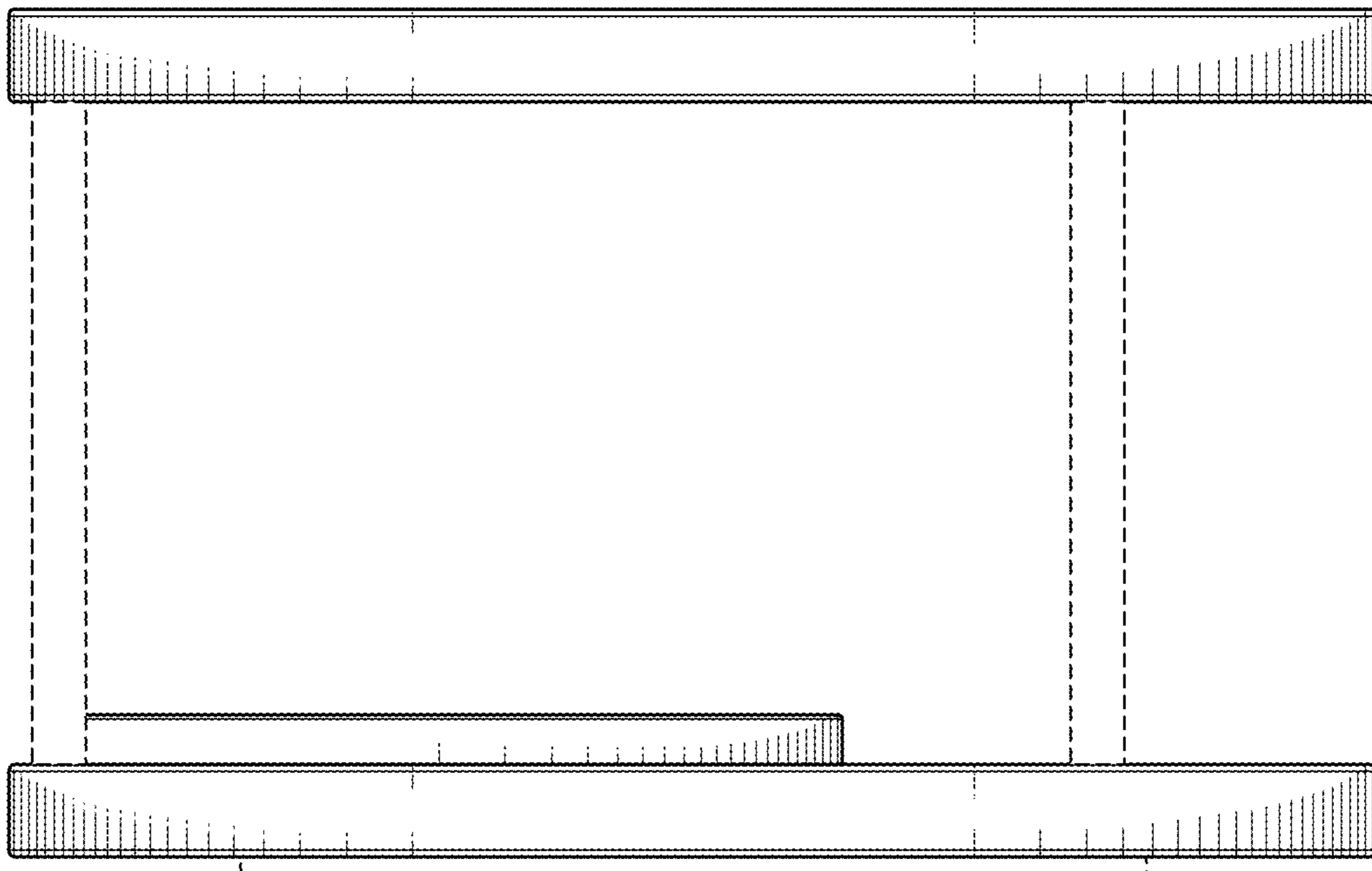


FIG. 5

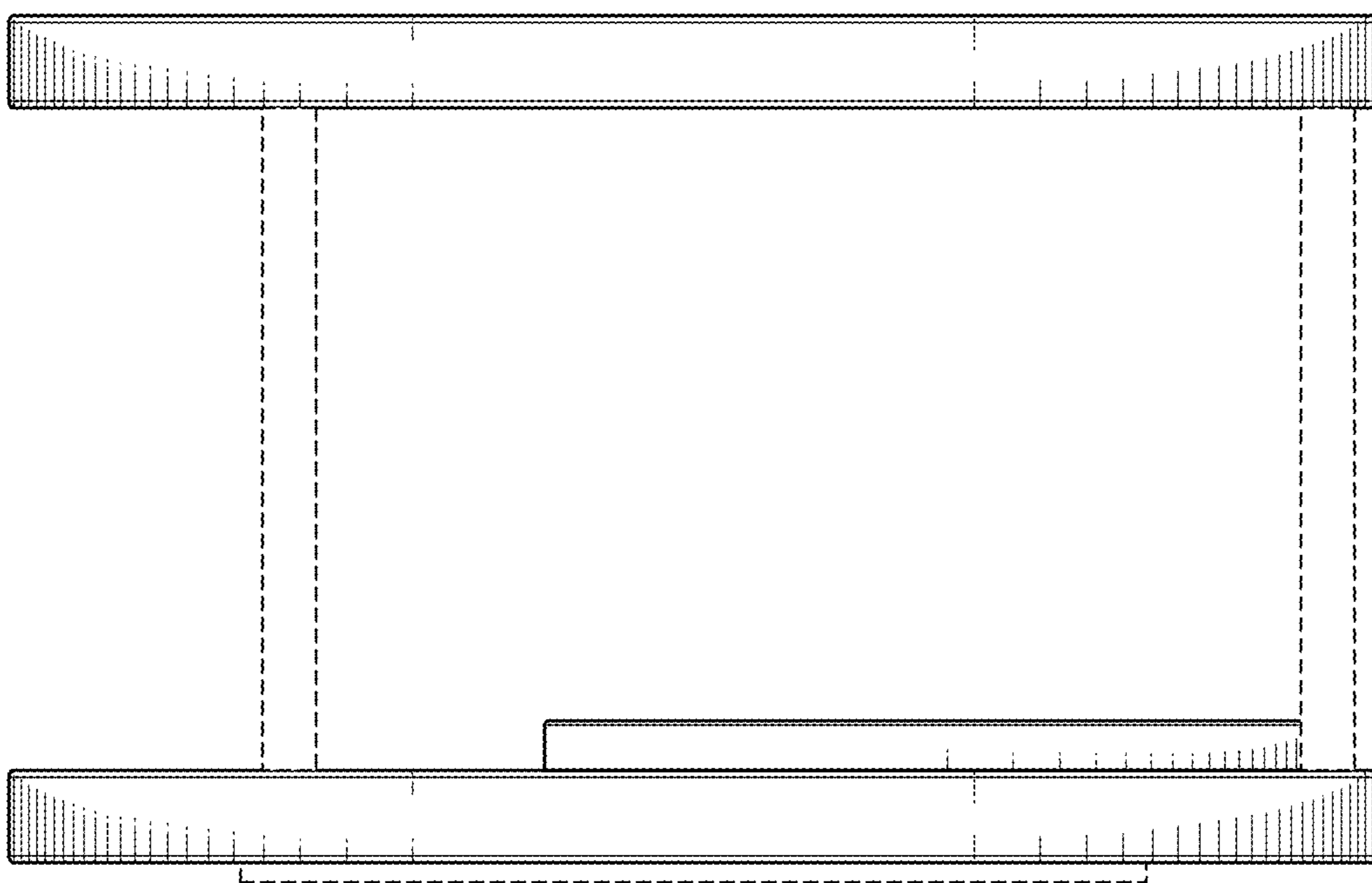


FIG. 6

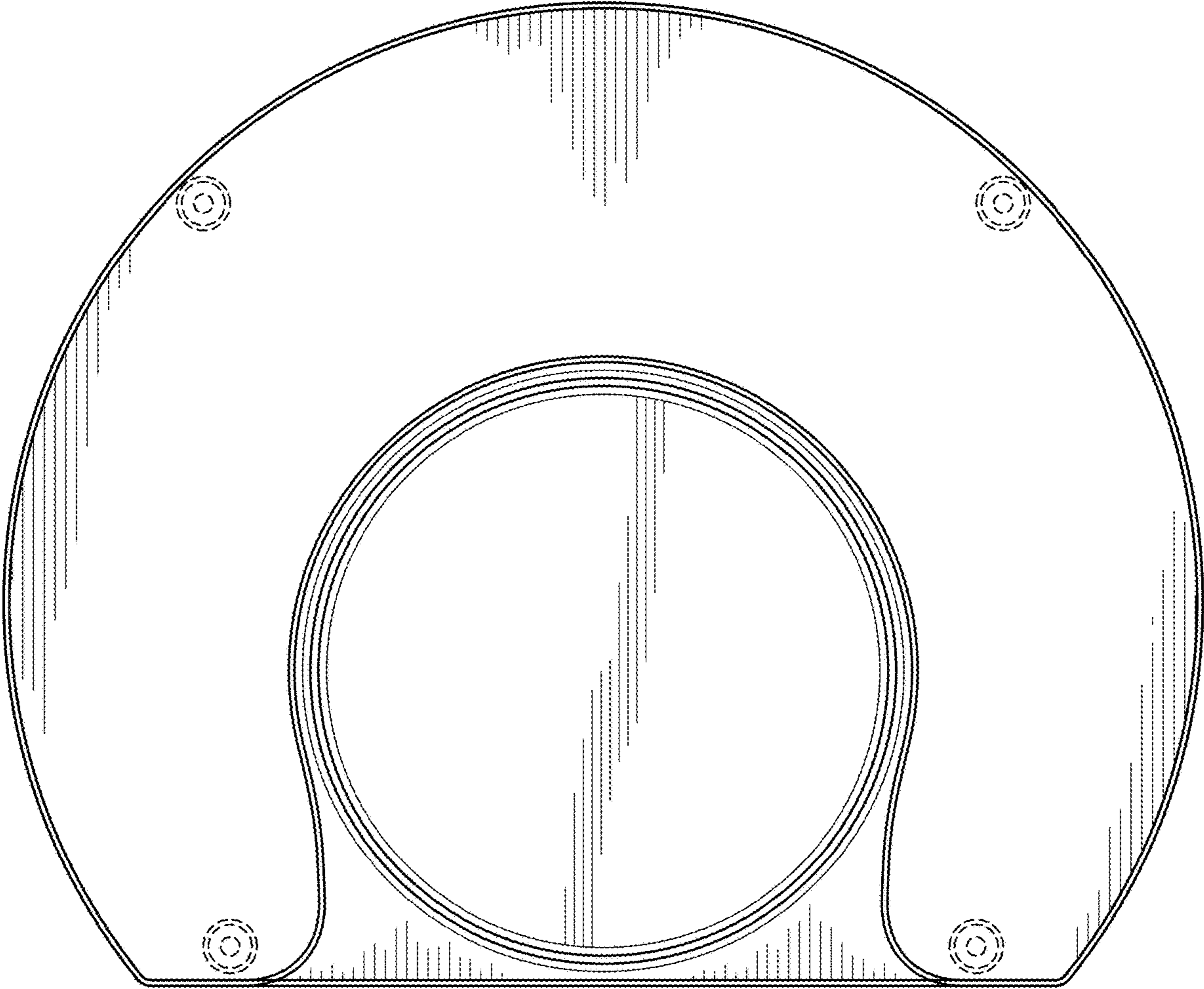


FIG. 7

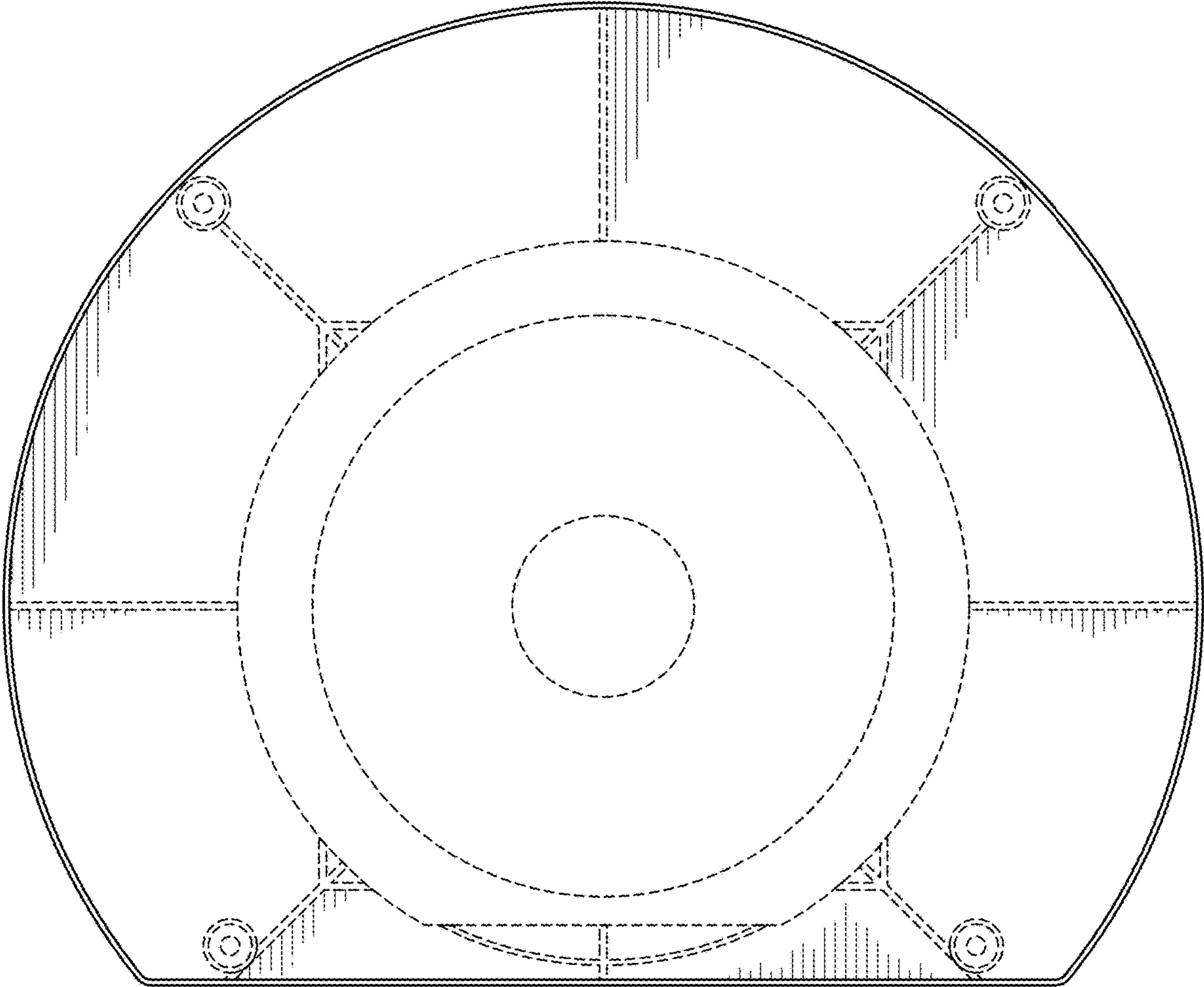


FIG. 8