



US00D889168S

(12) **United States Design Patent** (10) **Patent No.:** **US D889,168 S**
Li (45) **Date of Patent:** **** Jul. 7, 2020**

(54) **COMPUTER DESK**
(71) Applicant: **Homy Casa Limited**, Hong Kong (HK)
(72) Inventor: **YueHai Li**, Guangzhou (CN)
(73) Assignee: **HOMY CASA LIMITED**, Sheung Wan (HK)

(**) Term: **15 Years**

(21) Appl. No.: **29/671,571**

(22) Filed: **Nov. 28, 2018**

(51) **LOC (12) Cl.** **06-03**

(52) **U.S. Cl.**
USPC **D6/656**

(58) **Field of Classification Search**
USPC D6/353, 368, 642, 644, 649, 651, 655,
D6/655.1, 655.11, 655.12, 655.13, 655.14,
D6/655.15, 655.16, 655.17, 655.18, 655.2,
D6/655.21, 656, 656.11, 656.13, 656.15,
D6/656.16, 656.17, 656.19, 657, 663,
D6/686, 691, 709
CPC A47B 81/00; A47B 88/00; A47B 88/41;
A47B 88/42; A47B 2210/16; B62B 3/00;
B60B 33/00

See application file for complete search history.

(56) **References Cited**

U.S. PATENT DOCUMENTS

D96,633 S * 8/1935 Swanson D6/691.7
D288,637 S * 3/1987 Winzeler, III D34/21
D303,464 S * 9/1989 Holl D6/654.1
D618,017 S * 6/2010 Sexton D6/656.18

10,155,643 B2 * 12/2018 Mueller B62B 3/00
D845,679 S * 4/2019 Li D6/656
D853,154 S * 7/2019 Vorob'Jov D6/641
D858,147 S * 9/2019 Li D6/655.18
2012/0217858 A1 * 8/2012 Lai A47B 17/00
319/334.5

OTHER PUBLICATIONS

FurnitureR, posted at Amazon.com, posted on Dec. 31, 2019, site visited Feb. 18, 2020. online, available from internet: https://www.amazon.com/dp/B083BL6W3V/ref=sbl_dp_x_B083BL6W3V_0 (Year: 2019).*

* cited by examiner

Primary Examiner — Mary Ann Calabrese
Assistant Examiner — Catherine Ho
(74) *Attorney, Agent, or Firm* — Hauptman Ham, LLP

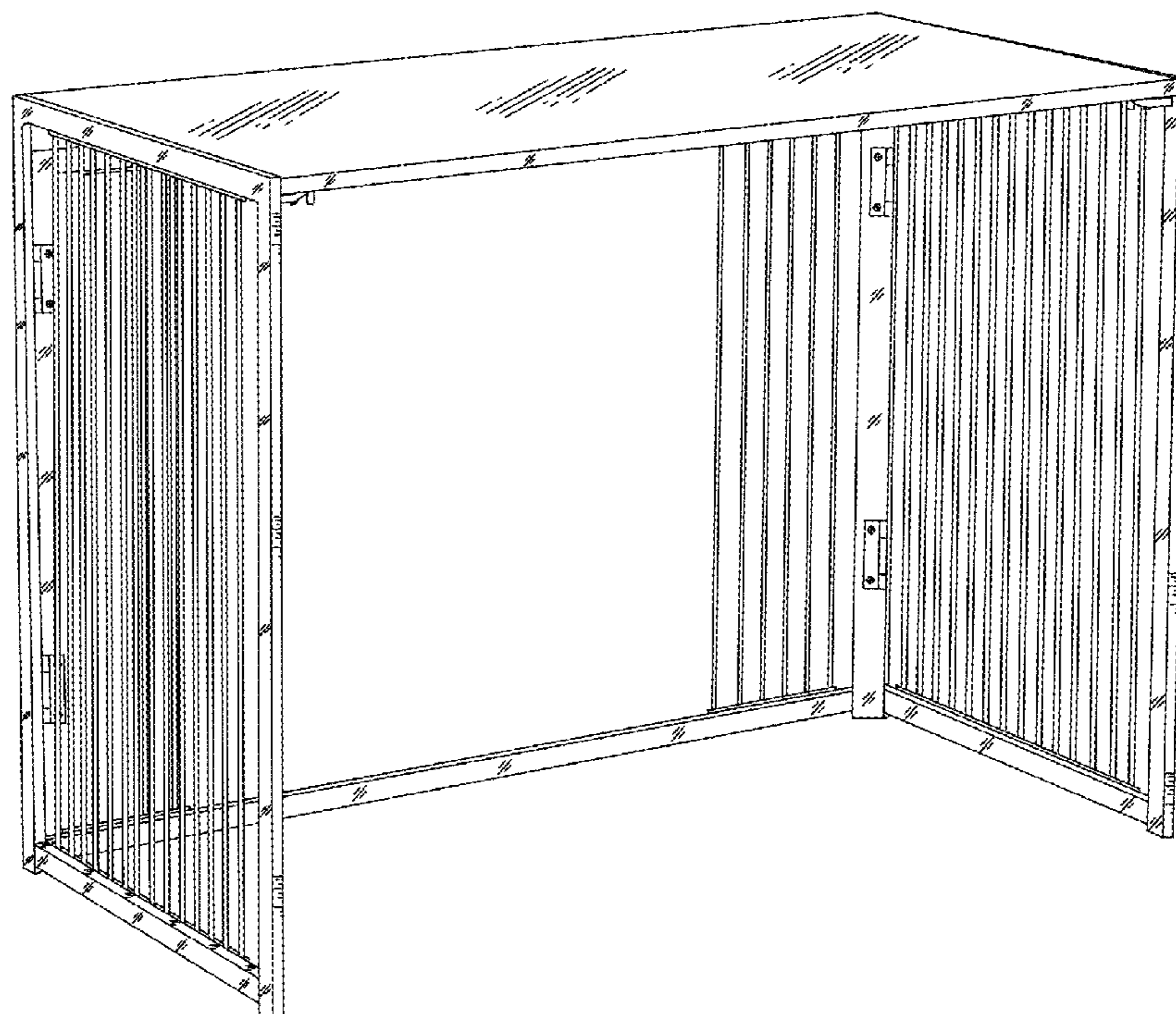
(57) **CLAIM**

The ornamental design for a computer desk, as shown.

DESCRIPTION

FIG. 1 is a front view of a computer desk, showing my new design;
FIG. 2 is a rear view thereof;
FIG. 3 is a left side view thereof;
FIG. 4 is a right side view thereof;
FIG. 5 is a top view thereof;
FIG. 6 is a bottom view thereof; and,
FIG. 7 is a front-top-left perspective view thereof.

1 Claim, 7 Drawing Sheets



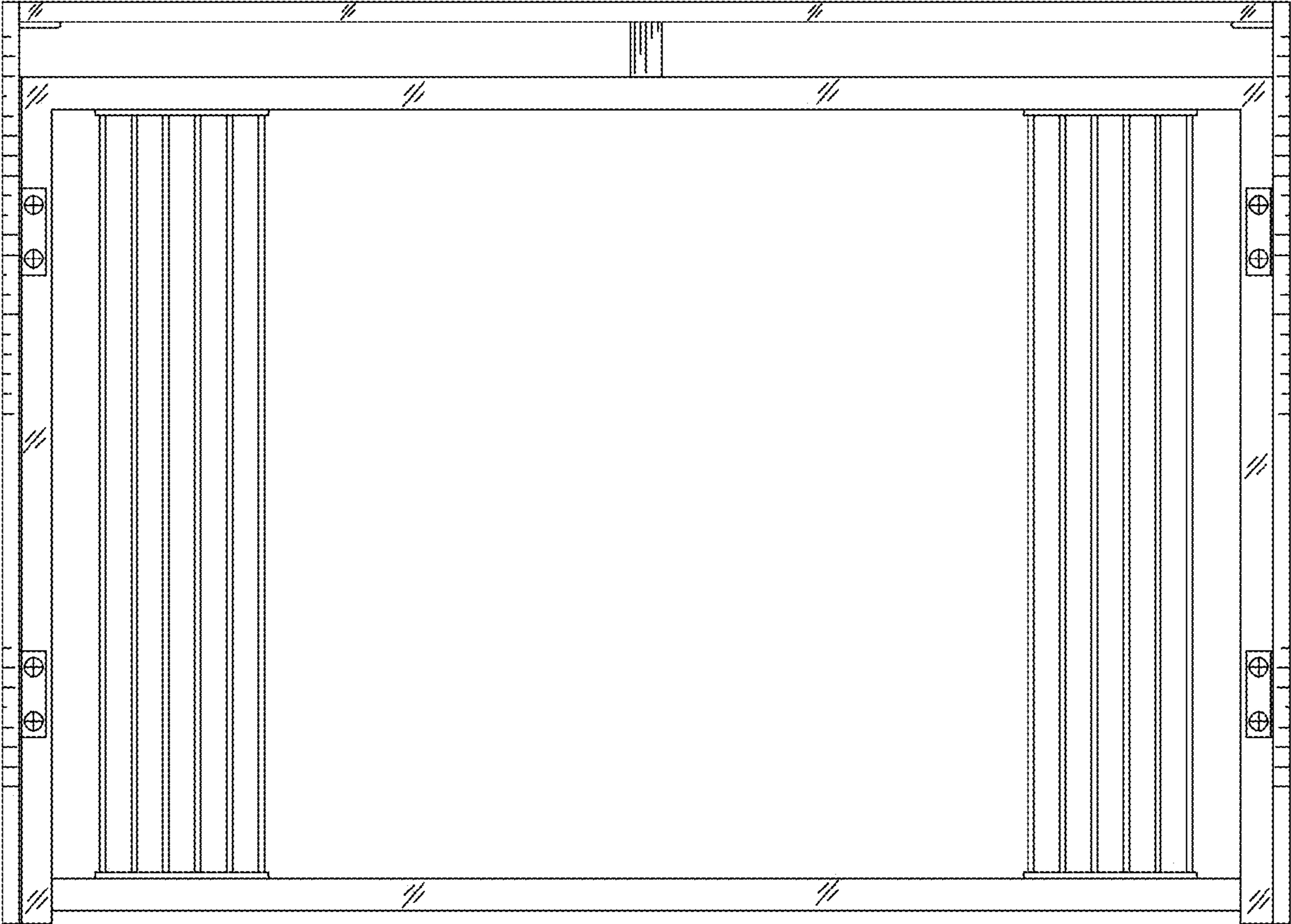


Fig. 1

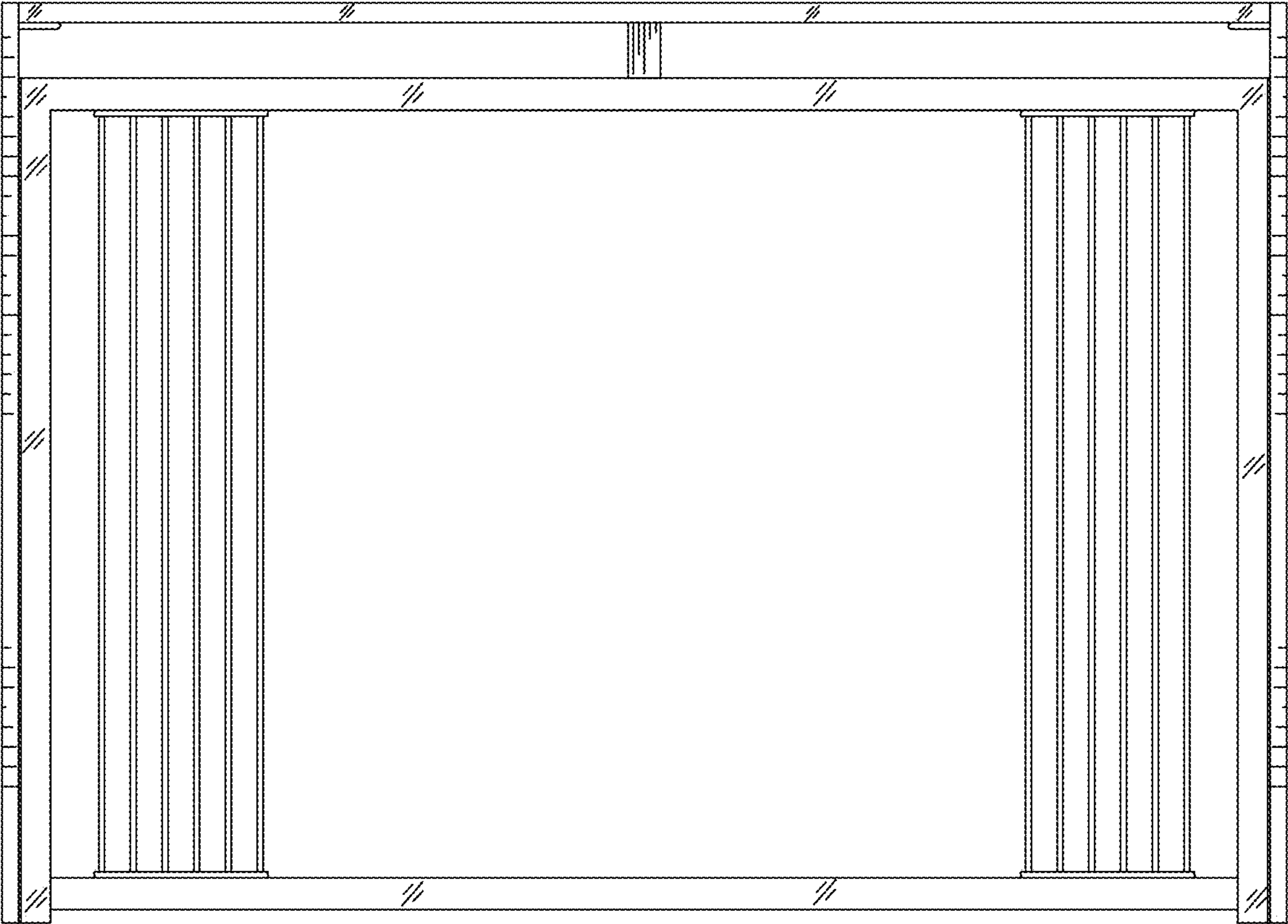


Fig. 2

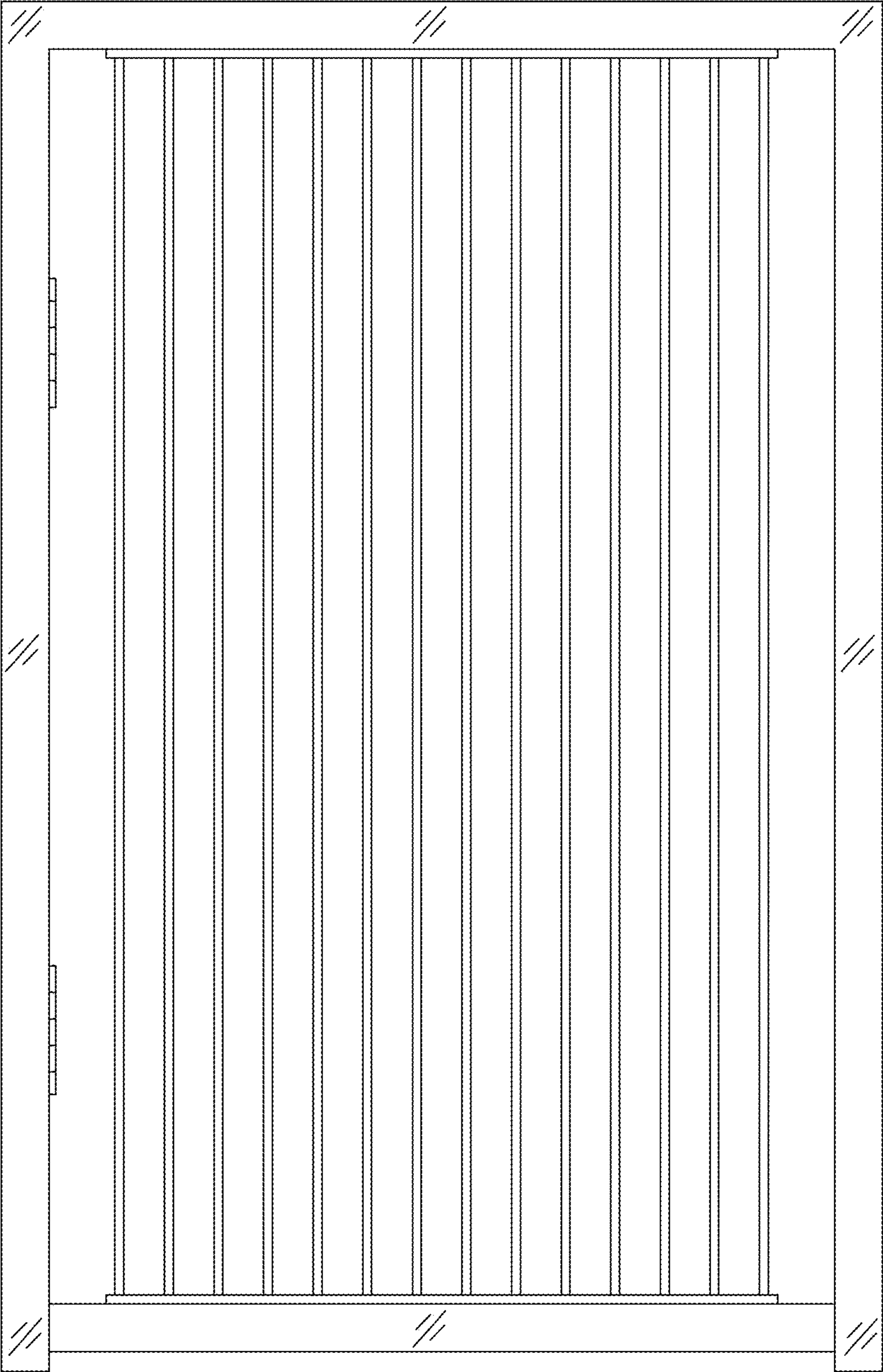


Fig. 3

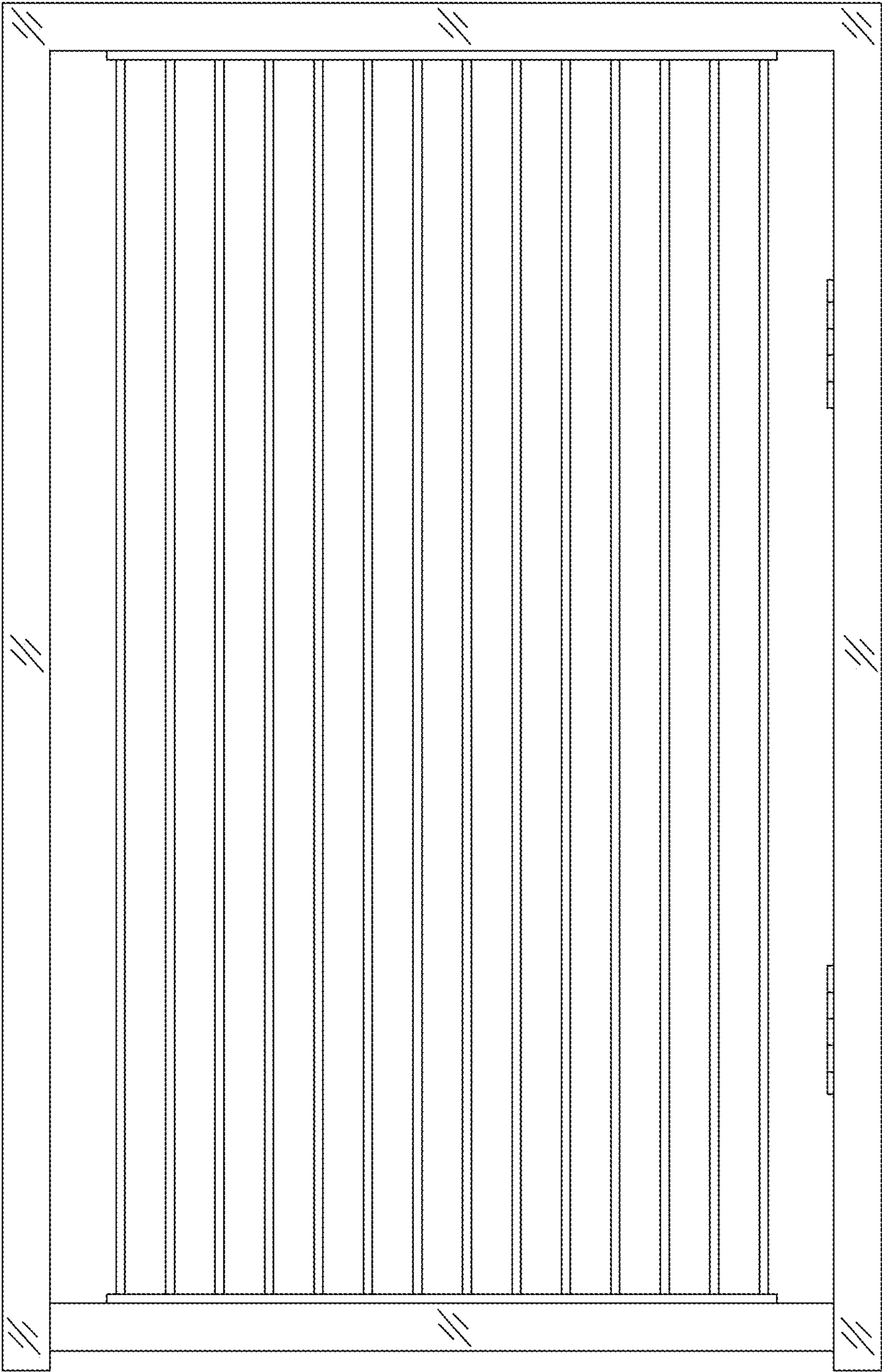


Fig. 4

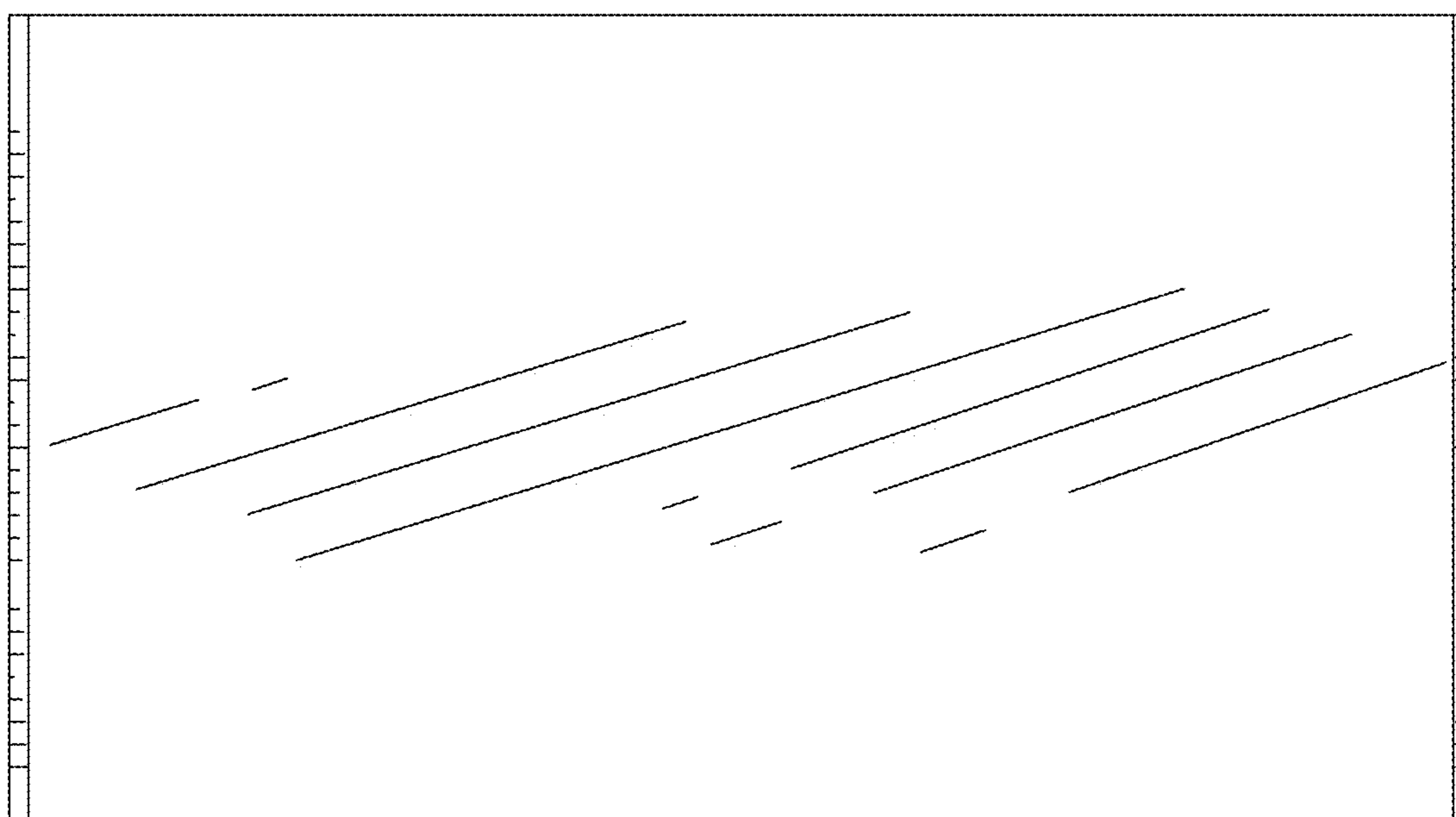


Fig. 5

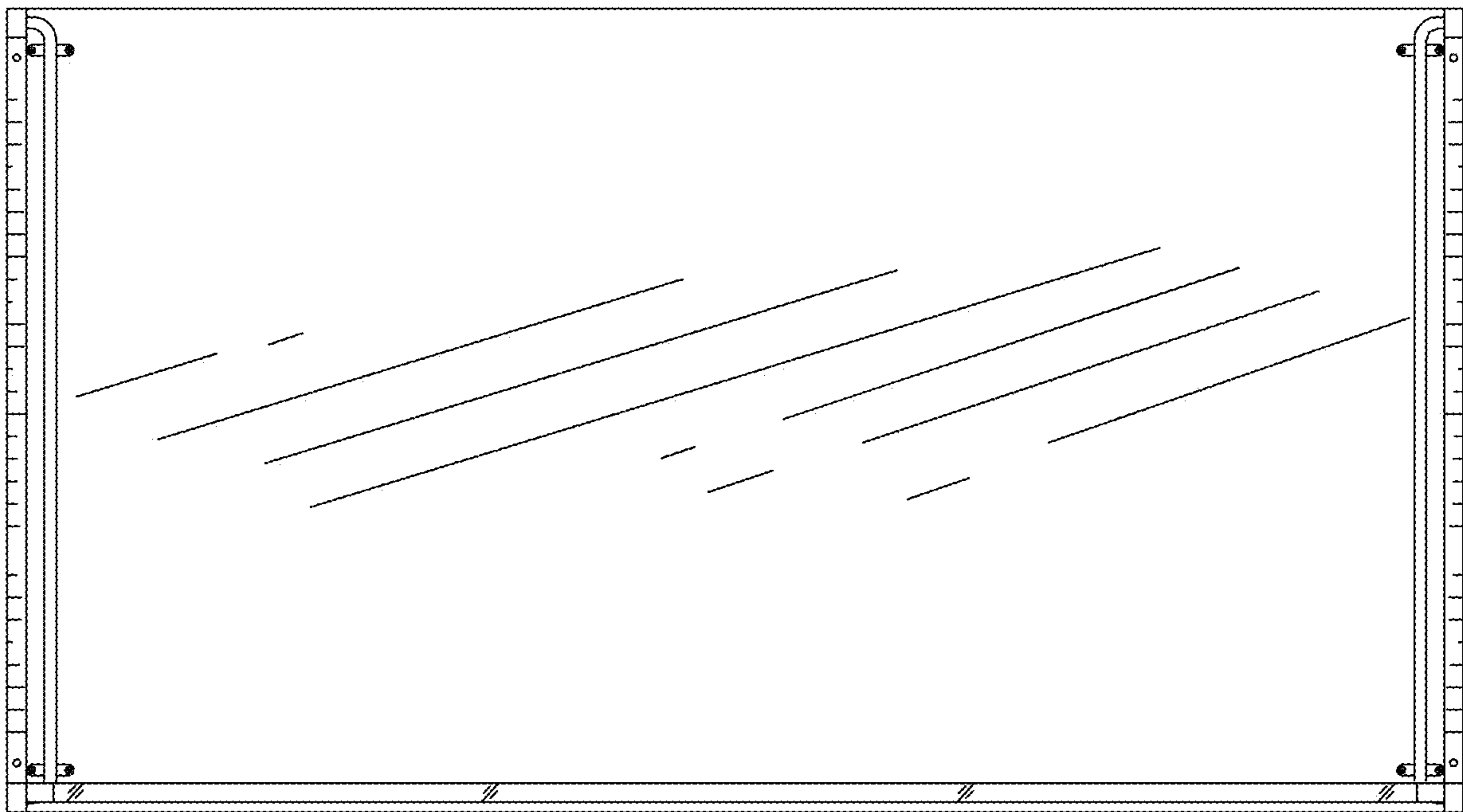


Fig. 6

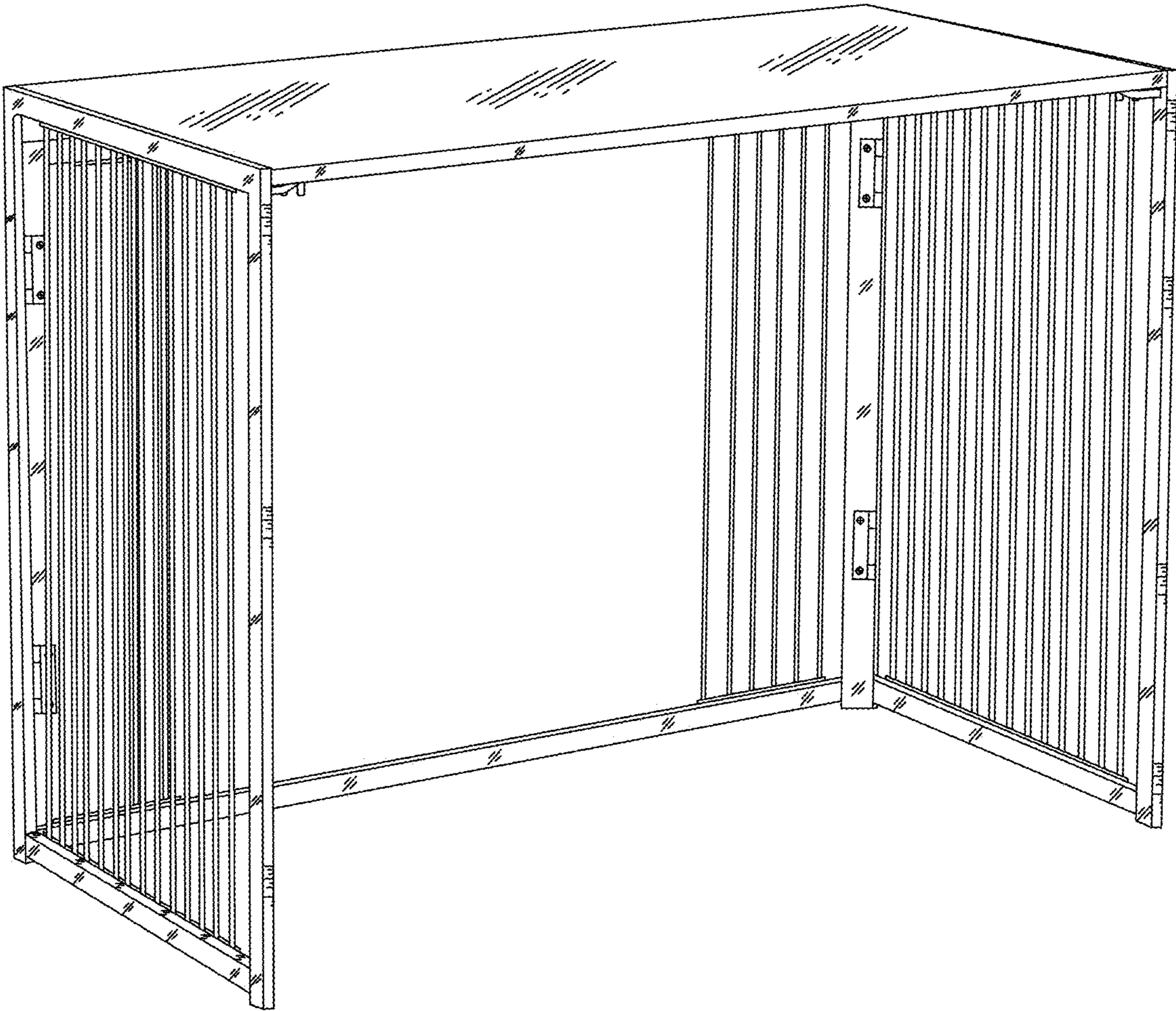


Fig. 7