



US00D889167S

(12) **United States Design Patent**
Allen et al.

(10) **Patent No.:** **US D889,167 S**
(45) **Date of Patent:** **** Jul. 7, 2020**

(54) **SHELVING, STORAGE, AND DESK UNIT**

(71) Applicant: **Steelcase Inc.**, Grand Rapids, MI (US)

(72) Inventors: **John Mark Allen**, Grand Rapids, MI (US); **Colin Cote**, Grand Rapids, MI (US); **Bryan Mark Wahlfield**, Grand Rapids, MI (US); **Megan Wallace**, Wyoming, MI (US); **Alvin Berdette Larson**, Jenison, MI (US); **Bradley Youngs**, Byron Center, MI (US)

(73) Assignee: **Steelcase Inc.**, Grand Rapids, MI (US)

(**) Term: **15 Years**

(21) Appl. No.: **29/642,617**

(22) Filed: **Mar. 30, 2018**

(51) **LOC (12) Cl.** **06-03**

(52) **U.S. Cl.**
USPC **D6/654.1**

(58) **Field of Classification Search**
USPC D6/641, 642, 644, 646, 648, 648.2, 648.3, 650, 653, 653.1, 653.17, 654, 654.1, 654.17, 675, 705
CPC A47B 83/001; A47B 21/00; A47B 21/06; A47B 2200/12
See application file for complete search history.

(56) **References Cited**

U.S. PATENT DOCUMENTS

897,076 A	8/1908	Eustis	
D238,531 S	1/1976	Vrignaud	
D251,526 S *	4/1979	Zapf	D6/648.3
D265,701 S *	8/1982	Colquhoun	D6/646
D300,486 S *	4/1989	Kaplan	D6/642
4,865,402 A	9/1989	Walter	
4,946,050 A	8/1990	Akopiantz	
D335,591 S *	5/1993	Lechman	D6/648.2
D349,200 S *	8/1994	Kelley	D6/648.3

(Continued)

OTHER PUBLICATIONS

“Steelcase—Mackinac.” Found online Jan. 23, 2020 at www.steelcase.com. Page archived Apr. 11, 2019. Retrieved from URL: https://web.archive.org/web/20190411154615/https://www.steelcase.com/products/desk-systems/mackinac/ (Year: 2019).*

(Continued)

Primary Examiner — Mary Ann Calabrese

Assistant Examiner — Katelin G Kloberg

(74) *Attorney, Agent, or Firm* — Brinks Gilson & Lione

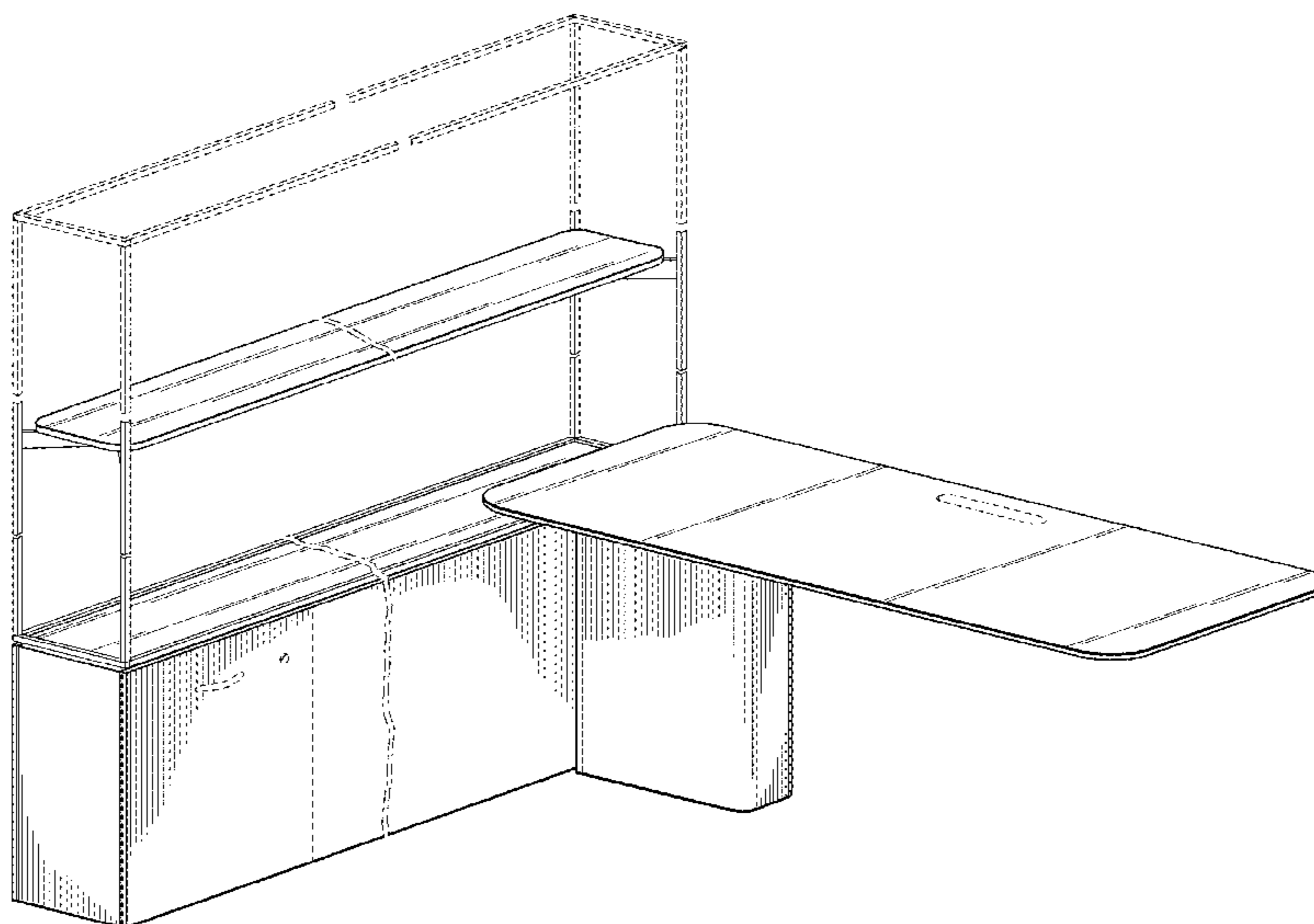
(57) **CLAIM**

We claim the ornamental design for a shelving, storage, and desk unit, as shown and described.

DESCRIPTION

FIG. 1 is a top front perspective view of a shelving, storage, and desk unit;
FIG. 2 is a top plan view thereof;
FIG. 3 is a bottom plan view thereof;
FIG. 4 is a rear elevation view thereof;
FIG. 5 is a front elevation view thereof;
FIG. 6 is a left side elevation view thereof;
FIG. 7 is a right side elevation view thereof;
FIG. 8 is a cross-sectional view of a worksurface element of FIG. 7, taken along line 8-8;
FIG. 9 is a bottom rear perspective view thereof;
FIG. 10 is a top rear perspective view thereof; and,
FIG. 11 is a left side elevation view, shown in an alternative position.
Evenly-spaced broken lines show environmental structure that forms no part of the claimed design, while the dash-dot-dash lines represent a symbolic break in the article. The appearance of any portion of the article between the break lines forms no part of the claimed design.

1 Claim, 10 Drawing Sheets



(56)

References Cited

U.S. PATENT DOCUMENTS

5,428,928 A * 7/1995 Hellwig A47B 21/06
108/147
D362,761 S * 10/1995 Hood D6/643.1
5,466,058 A * 11/1995 Chan A47B 47/0075
312/111
D392,813 S * 3/1998 Welborn, Jr. D6/648.3
5,738,422 A * 4/1998 Welborn, Jr. A47B 83/001
312/196
D405,624 S * 2/1999 Newhouse D6/642
D405,982 S * 2/1999 Newhouse D6/648.3
D410,349 S * 6/1999 Kelley D6/648.3
D422,171 S 4/2000 Mahlmann
6,196,648 B1 * 3/2001 Henriott A47B 21/06
108/103
D450,510 S 11/2001 Gottwald
D465,941 S * 11/2002 Ko D6/653
D477,169 S 7/2003 Hoernig
D498,951 S * 11/2004 Yamaguchi D6/712
D569,152 S 5/2008 Hefner et al.
D577,509 S * 9/2008 Grabowski D6/648.3
D577,939 S 10/2008 Rubin et al.
D581,695 S * 12/2008 Martin D6/648.2

D647,324 S * 10/2011 Kincaid D6/648
D695,555 S 12/2013 Wind
D712,685 S * 9/2014 Weatherly D6/653.1
D764,839 S * 8/2016 Hecht D6/648
D845,042 S * 4/2019 Allen D6/675
D845,043 S * 4/2019 Allen D6/675
D858,163 S * 9/2019 Allen D6/705
2005/0189851 A1 * 9/2005 Martin A47B 21/00
312/196
2008/0035031 A1 * 2/2008 Yamanishi A47B 83/001
108/50.02
2010/0205868 A1 8/2010 Williams et al.

OTHER PUBLICATIONS

“AFD—Steelcase has launched its newest product called Mackinac.”
Found online Jan. 23, 2020 at www.afd-inc.com. Page dated Jun.
21, 2018. Retrieved from URL: <https://afd-inc.com/steelcase-has-launched-its-newest-product-called-mackinac/> (Year: 2018).*

“Facebook—Mackinac—Design & Engineering.” Found online Jan.
23, 2020 at www.facebook.com. Post dated Dec. 13, 2018. Retrieved
from URL: <https://www.facebook.com/Steelcase/videos/mackinac-design-engineering/2232748400345874/> (Year: 2018).*

* cited by examiner

FIG. 1

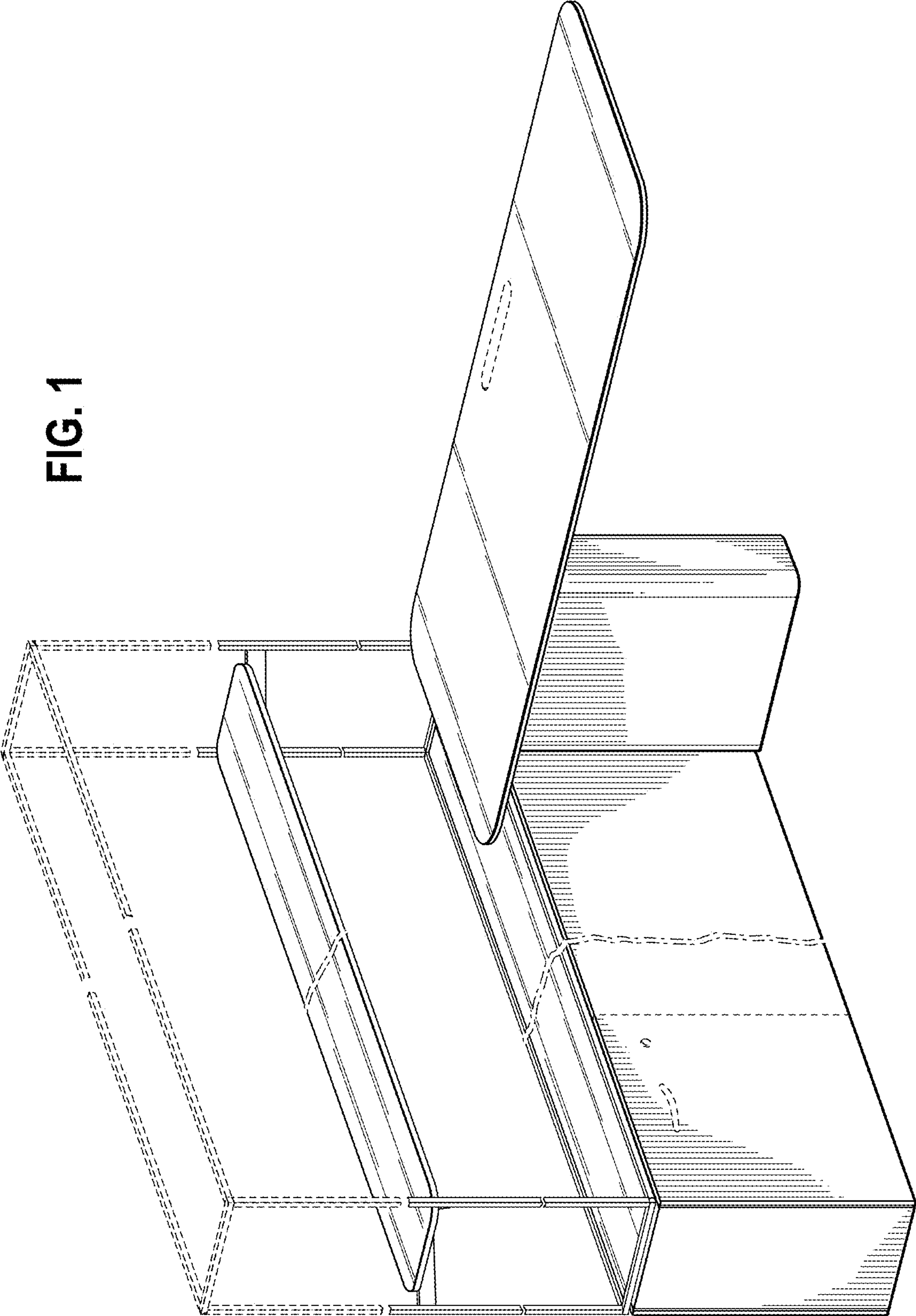
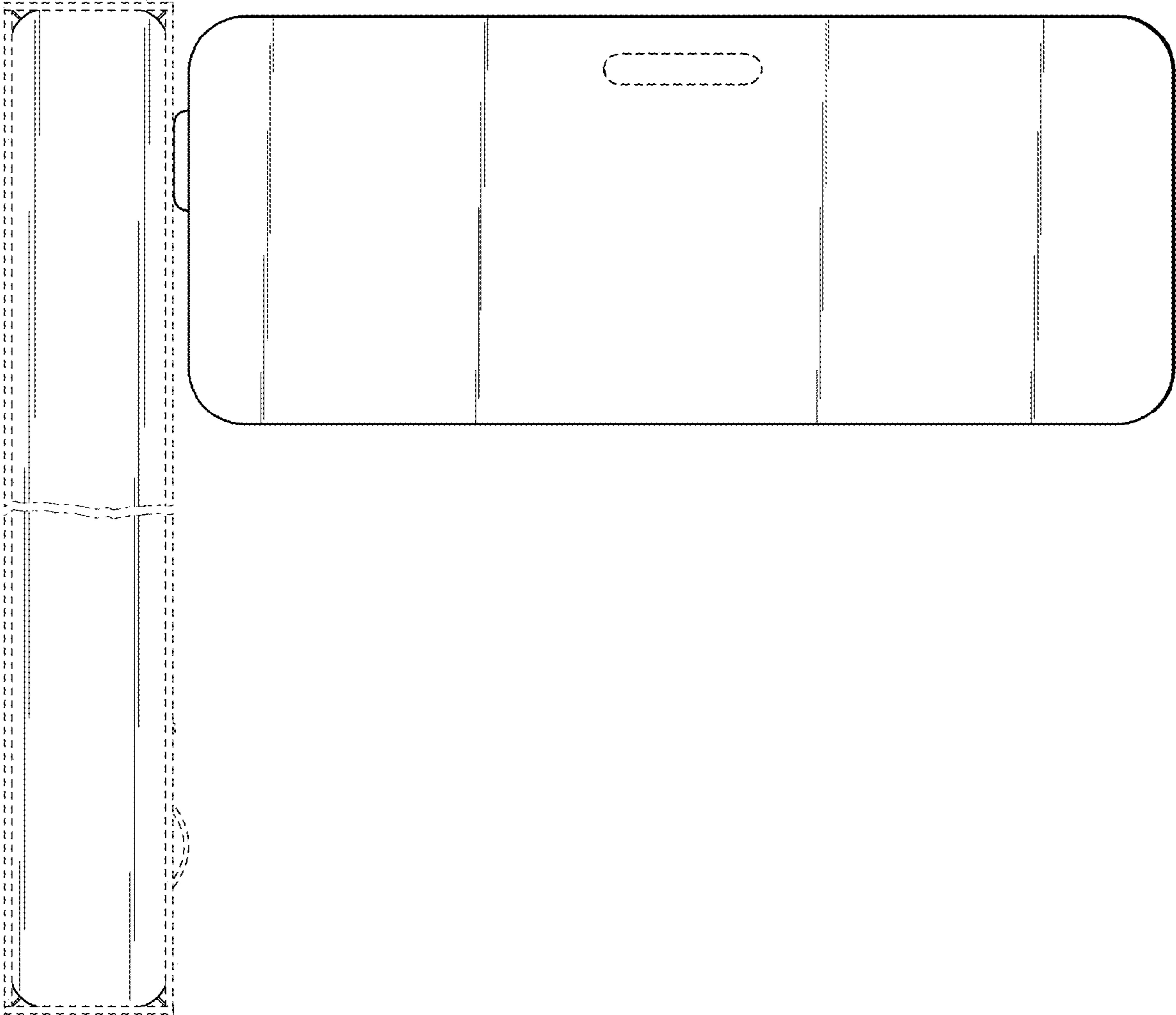


FIG. 2



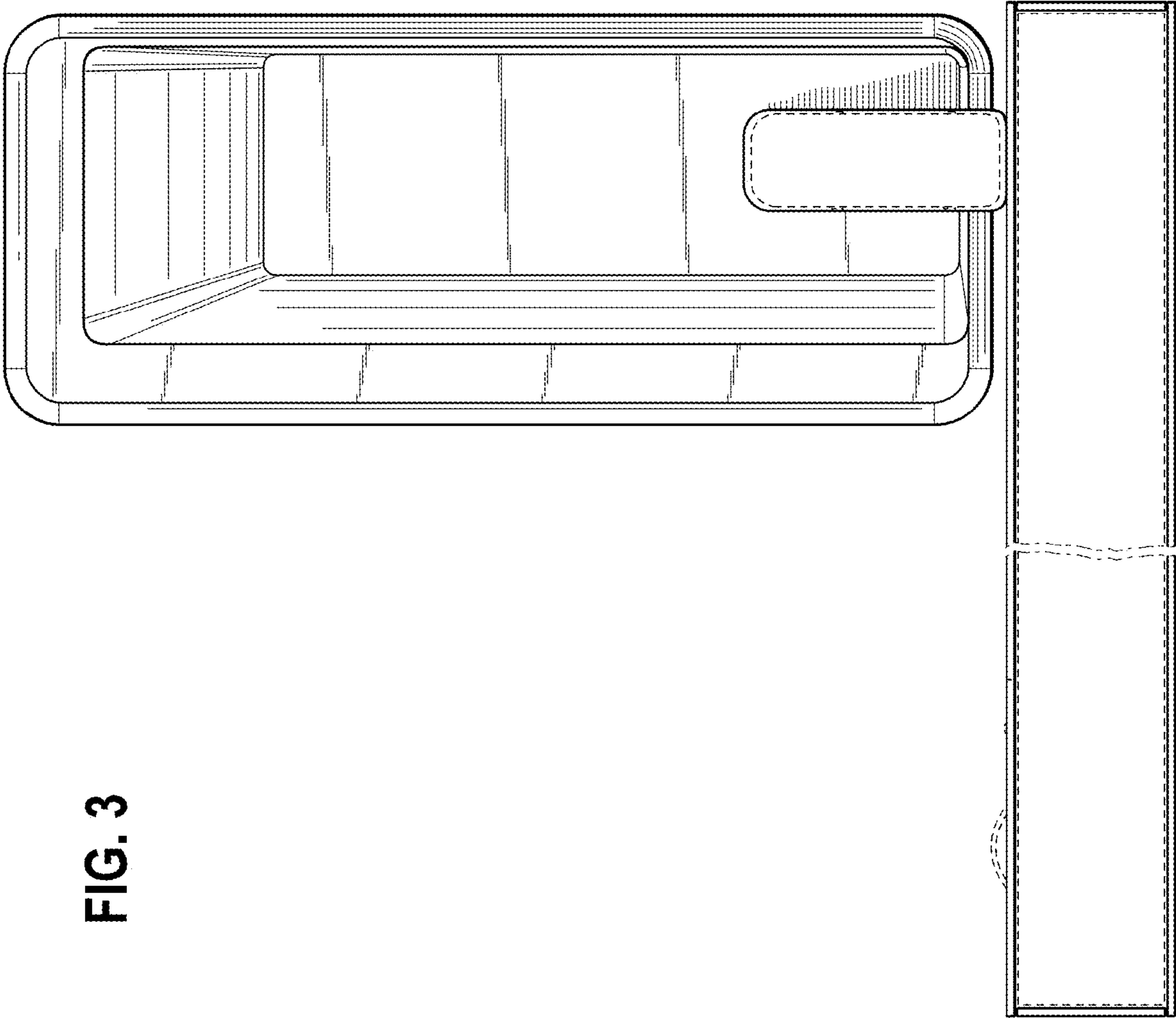


FIG. 3

FIG. 4

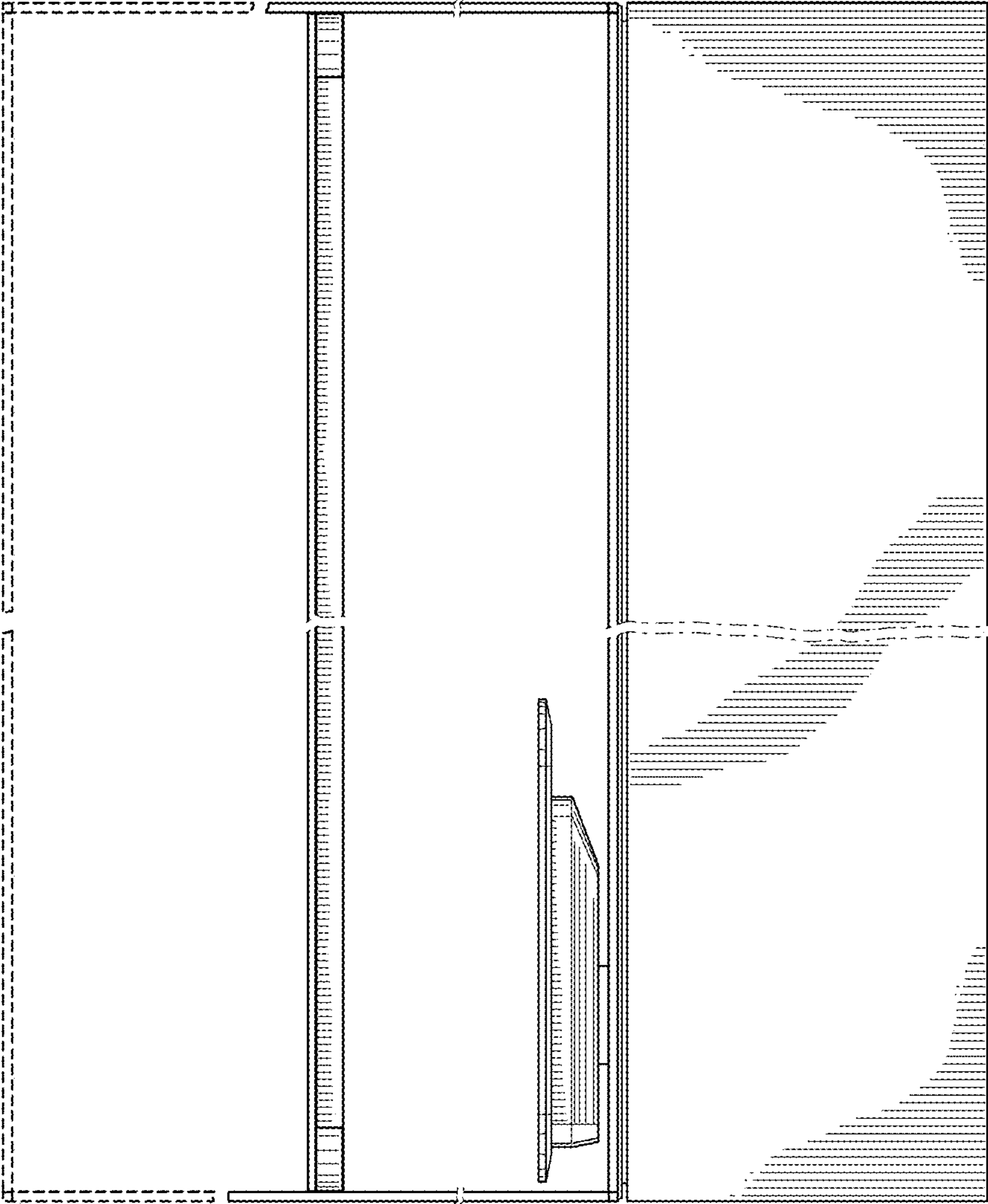


FIG. 5

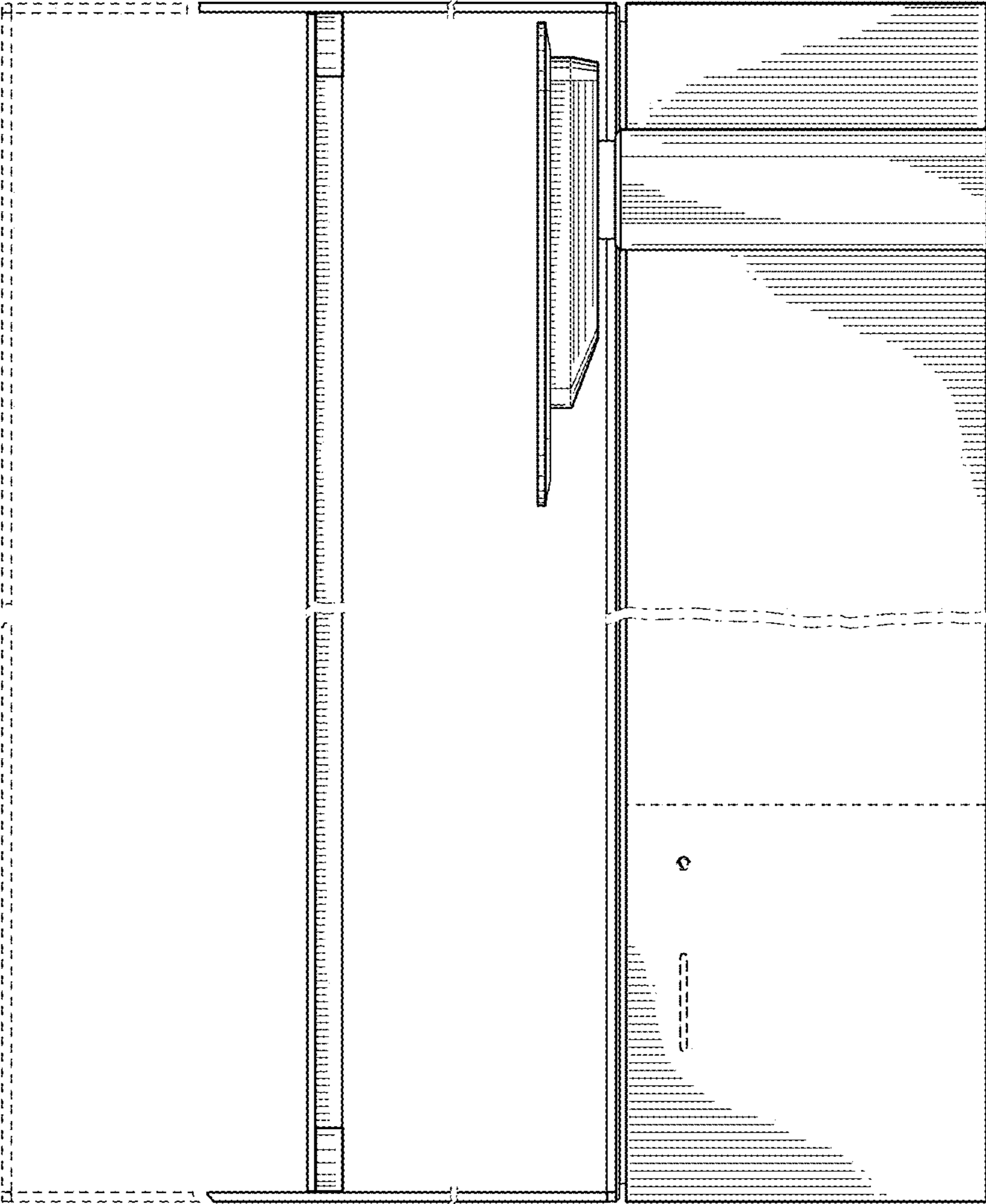
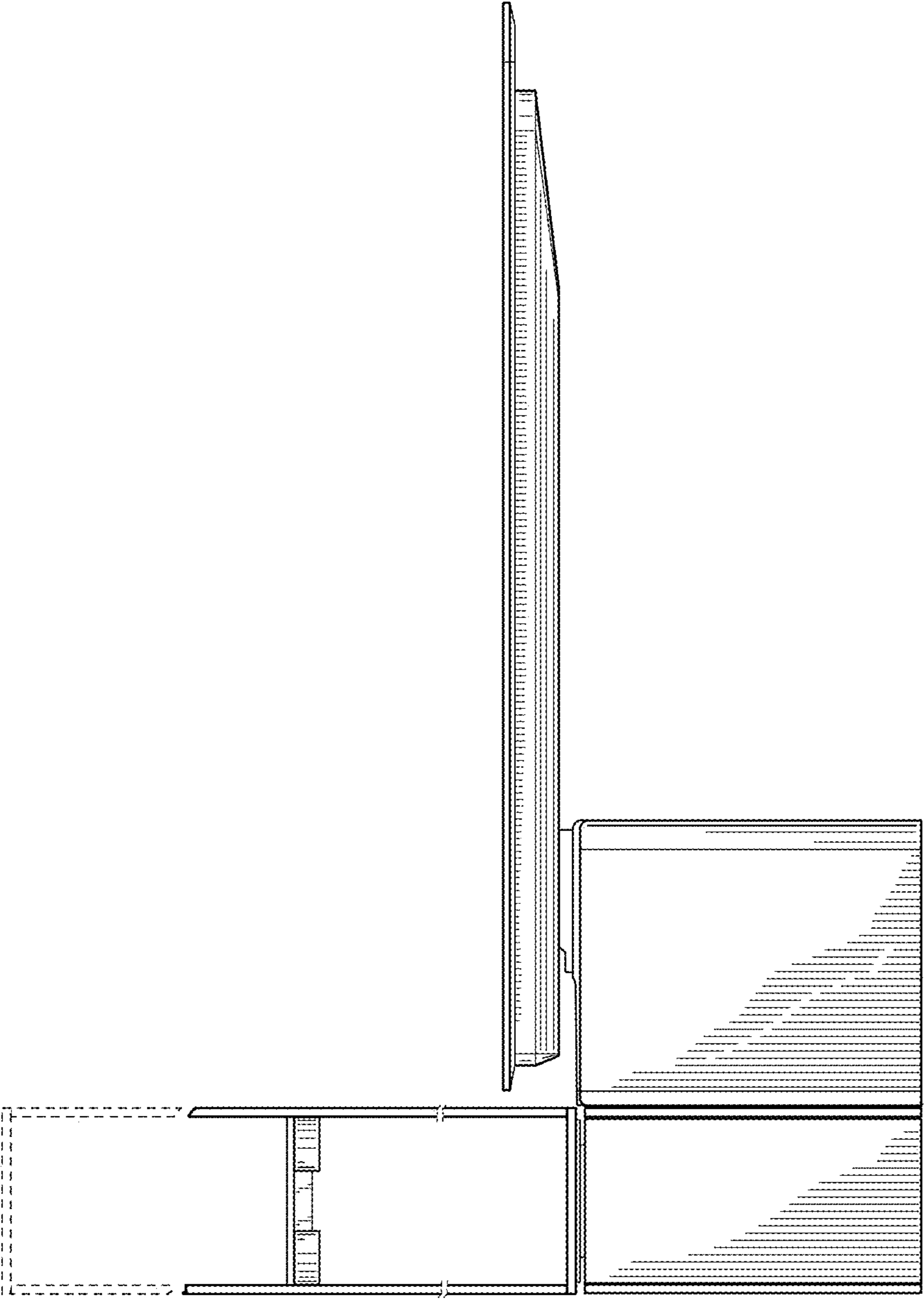
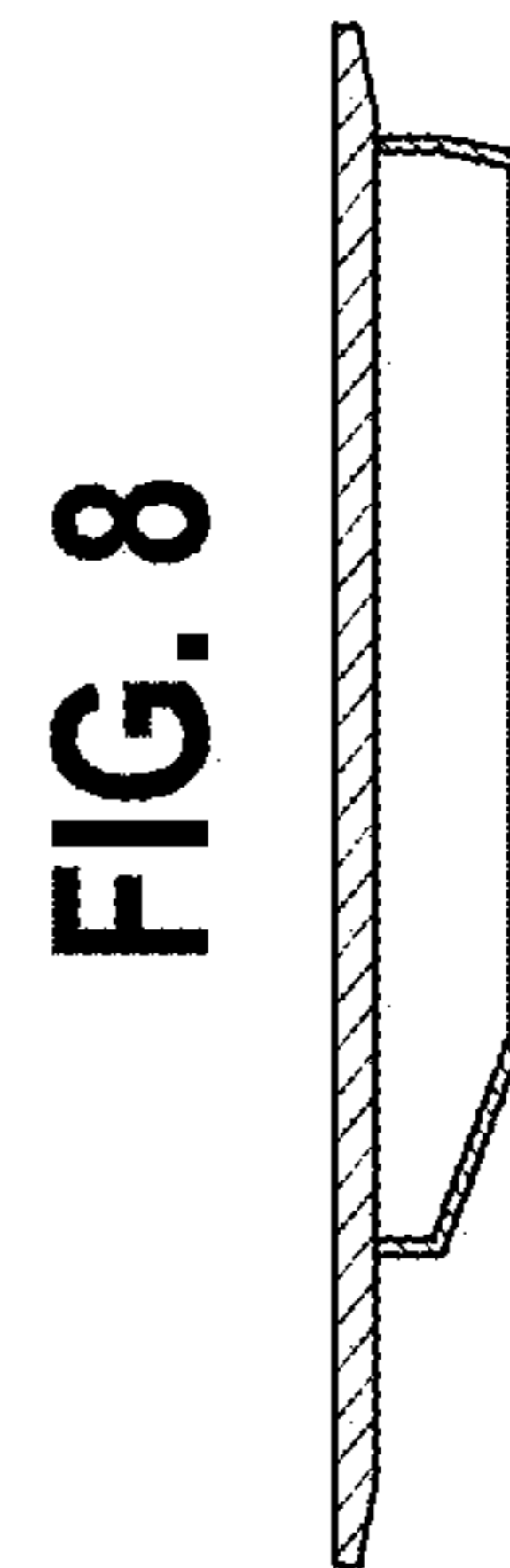
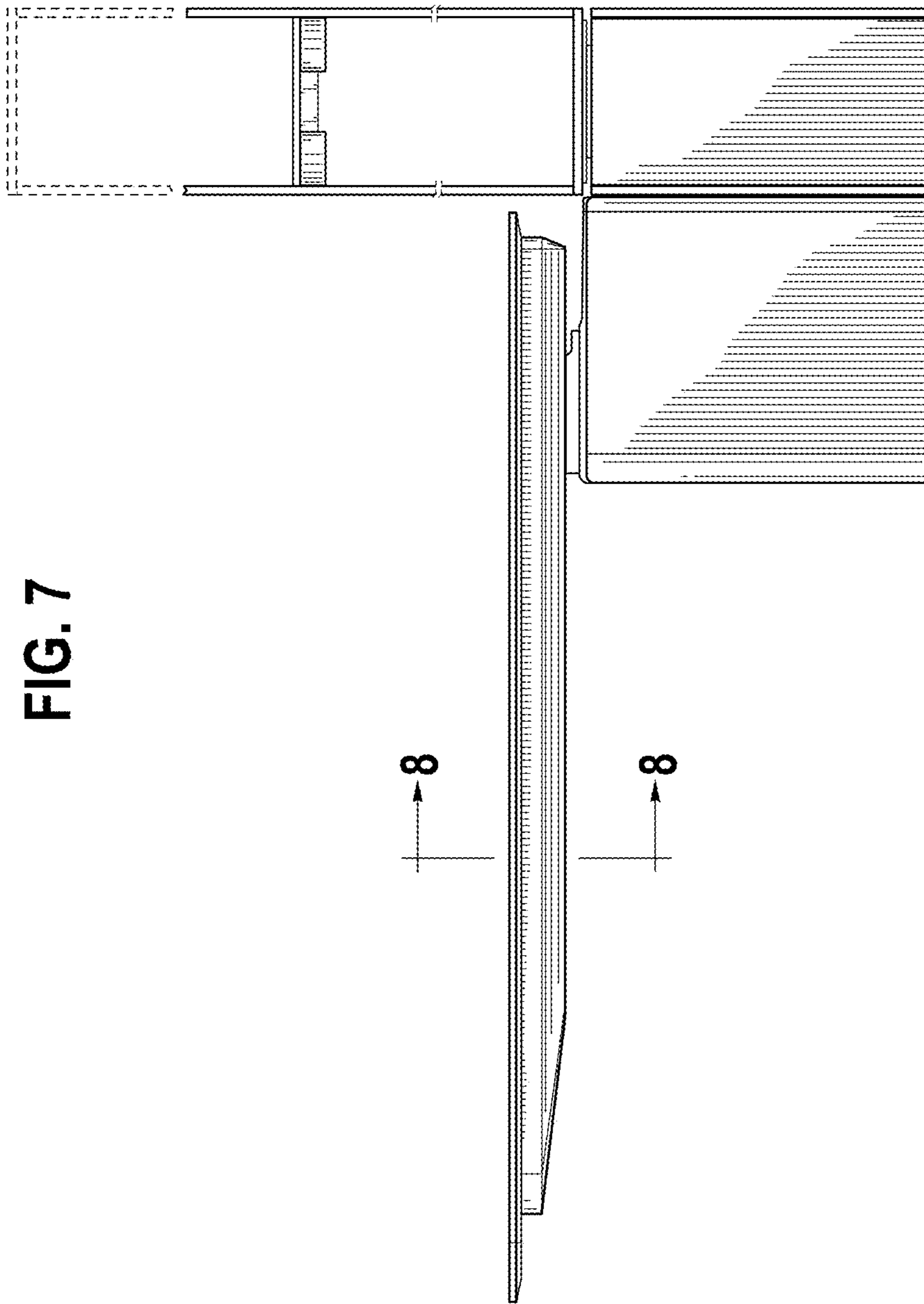


FIG. 6





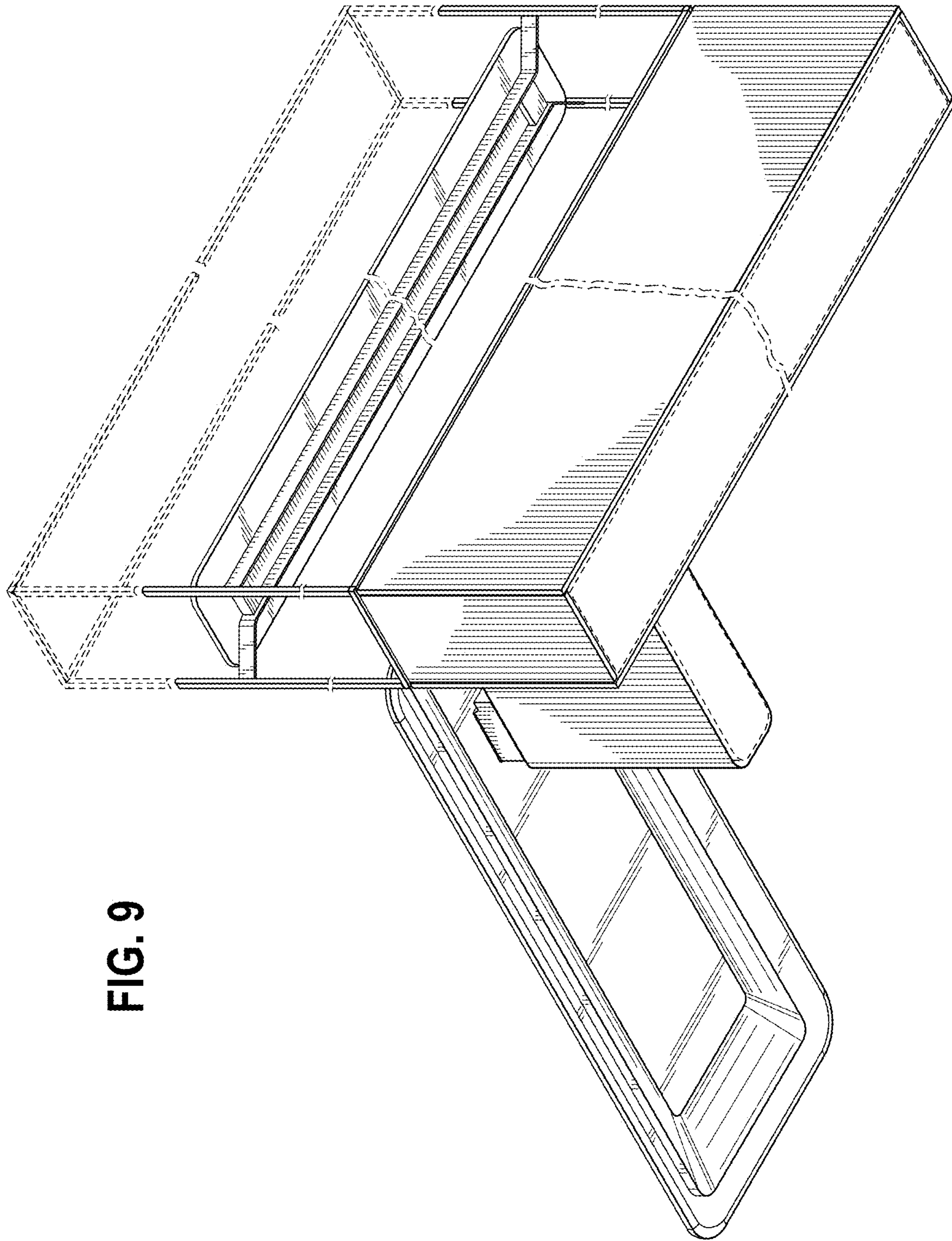


FIG. 9

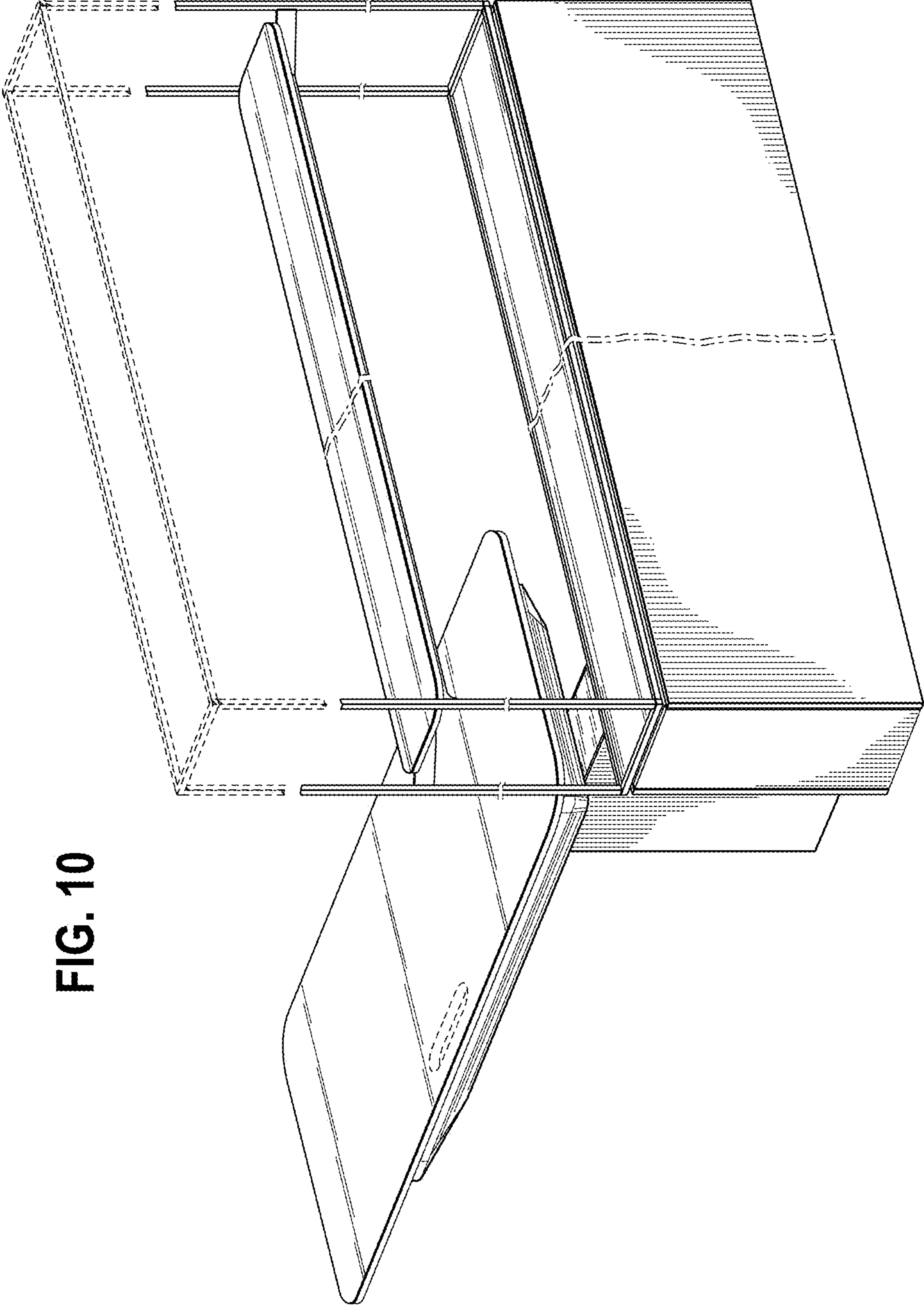


FIG. 10

FIG. 11

