



US00D889162S

(12) **United States Design Patent**
Elliott et al.

(10) **Patent No.:** **US D889,162 S**
(45) **Date of Patent:** **** Jul. 7, 2020**

- (54) **SUCTION CUP RAZOR HOLDER**
- (71) Applicant: **Kenney Manufacturing Company**,
Warwick, RI (US)
- (72) Inventors: **Timothy Elliott**, Attleboro, MA (US);
Jeffrey Klowan, Woonsocket, RI (US)
- (73) Assignee: **Kenney Manufacturing Company**,
Warwick, RI (US)
- (**) Term: **15 Years**
- (21) Appl. No.: **29/680,288**
- (22) Filed: **Feb. 14, 2019**
- (51) **LOC (12) Cl.** **28-03**
- (52) **U.S. Cl.**
USPC **D6/526**
- (58) **Field of Classification Search**
USPC D6/526, 524, 540; 211/13.1, 70.6, 87.01,
211/89.01; 248/200, 205.5, 309.1, 314,
248/127, 176.1; D8/373
CPC A45D 27/29; A45D 27/225; A45D 27/24;
A45D 27/46; A45D 34/06; B26B 21/32;
B26B 5/006; B26B 21/14
See application file for complete search history.

(56) **References Cited**

U.S. PATENT DOCUMENTS

- D333,583 S * 3/1993 Hurd D6/526
- D533,740 S * 12/2006 Dombrowski D6/526
- D574,651 S * 8/2008 Wonderley D6/526

(Continued)

OTHER PUBLICATIONS

Amazon.com, OXO Good Grips Wall-Suction Razor Holder, pub-
lication date unknown, last accessed Apr. 13, 2020, 9 pages.

(Continued)

Primary Examiner — Wan Laymon
Assistant Examiner — Mark Booker
(74) *Attorney, Agent, or Firm* — Adler Pollock &
Sheehan P.C.

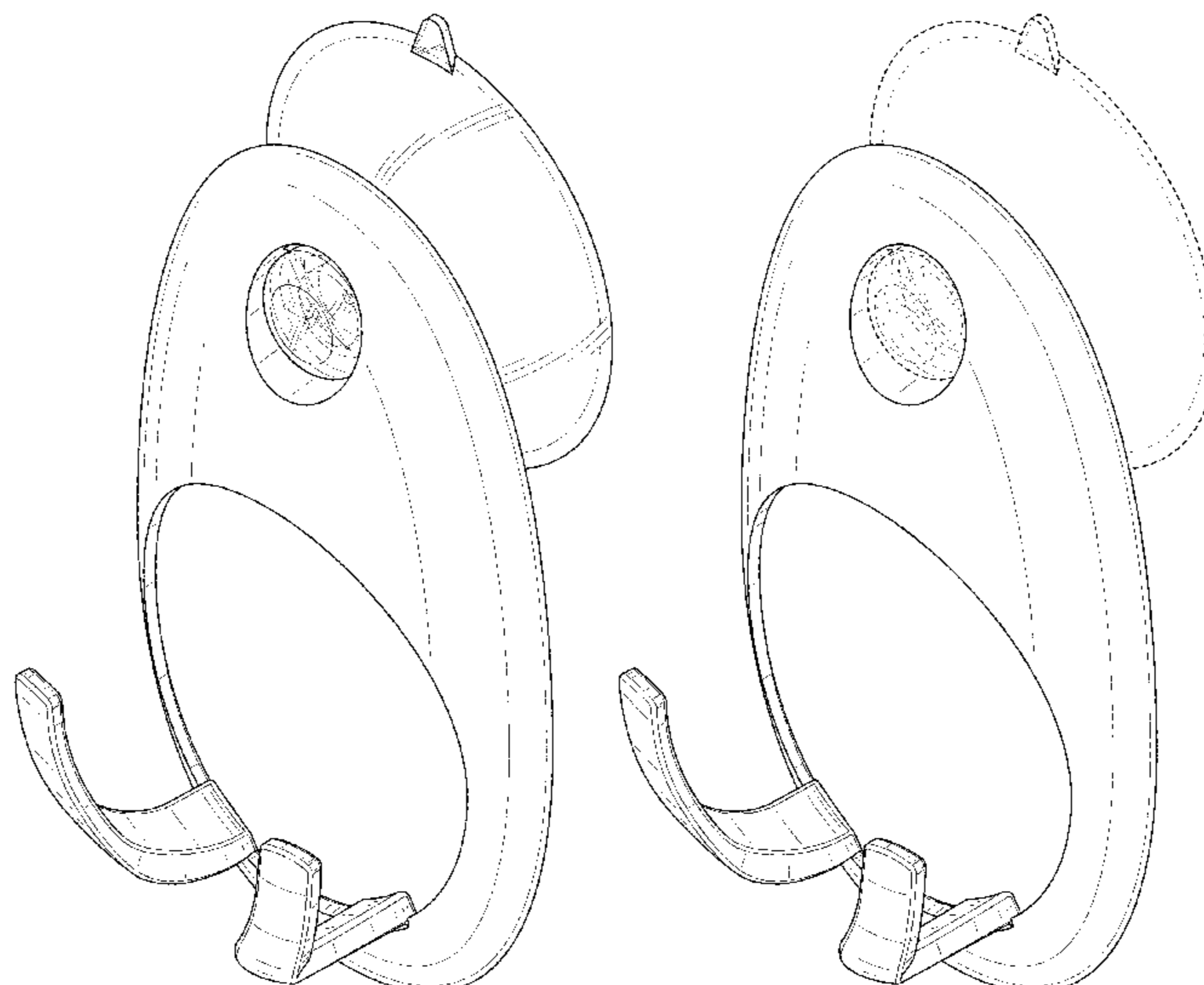
(57) **CLAIM**

The ornamental design for a suction cup razor holder, as
shown and described.

DESCRIPTION

FIG. 1 is a perspective view of the suction cup razor holder
according to our new design;
FIG. 2 is a front view of the embodiment illustrated in FIG.
1;
FIG. 3 is a back view of the embodiment illustrated in FIG.
1;
FIG. 4 is a side view of the embodiment illustrated in FIG.
1;
FIG. 5 is an opposite side view of the embodiment illustrated
in FIG. 1;
FIG. 6 is a top view of the embodiment illustrated in FIG.
1;
FIG. 7 is a bottom view of the embodiment illustrated in
FIG. 1;
FIG. 8 is another perspective view of a suction cup razor
holder according to our new design;
FIG. 9 is a front view of the embodiment illustrated in FIG.
8;
FIG. 10 is a back view of the embodiment illustrated in FIG.
8;
FIG. 11 is a side view of the embodiment illustrated in FIG.
8;
FIG. 12 is an opposite side view of the embodiment illus-
trated in FIG. 8;
FIG. 13 is a top view of the embodiment illustrated in FIG.
8; and,
FIG. 14 is a bottom view of the embodiment illustrated in
FIG. 8.
The broken lines shown in the figures represent portions of
the suction cup razor holder that form no part of the claimed
design.

1 Claim, 14 Drawing Sheets



(56)

References Cited

U.S. PATENT DOCUMENTS

D625,130 S * 10/2010 Szczepanowski D6/526
D632,516 S * 2/2011 Schulz D6/526
2007/0017833 A1* 1/2007 Lukan A45D 27/29
206/228

OTHER PUBLICATIONS

Amazon.com, InterDesign Power Lock Suction Razor Holder Clear,
publication date unknown, last accessed Apr. 13, 2020, 9 pages.

* cited by examiner

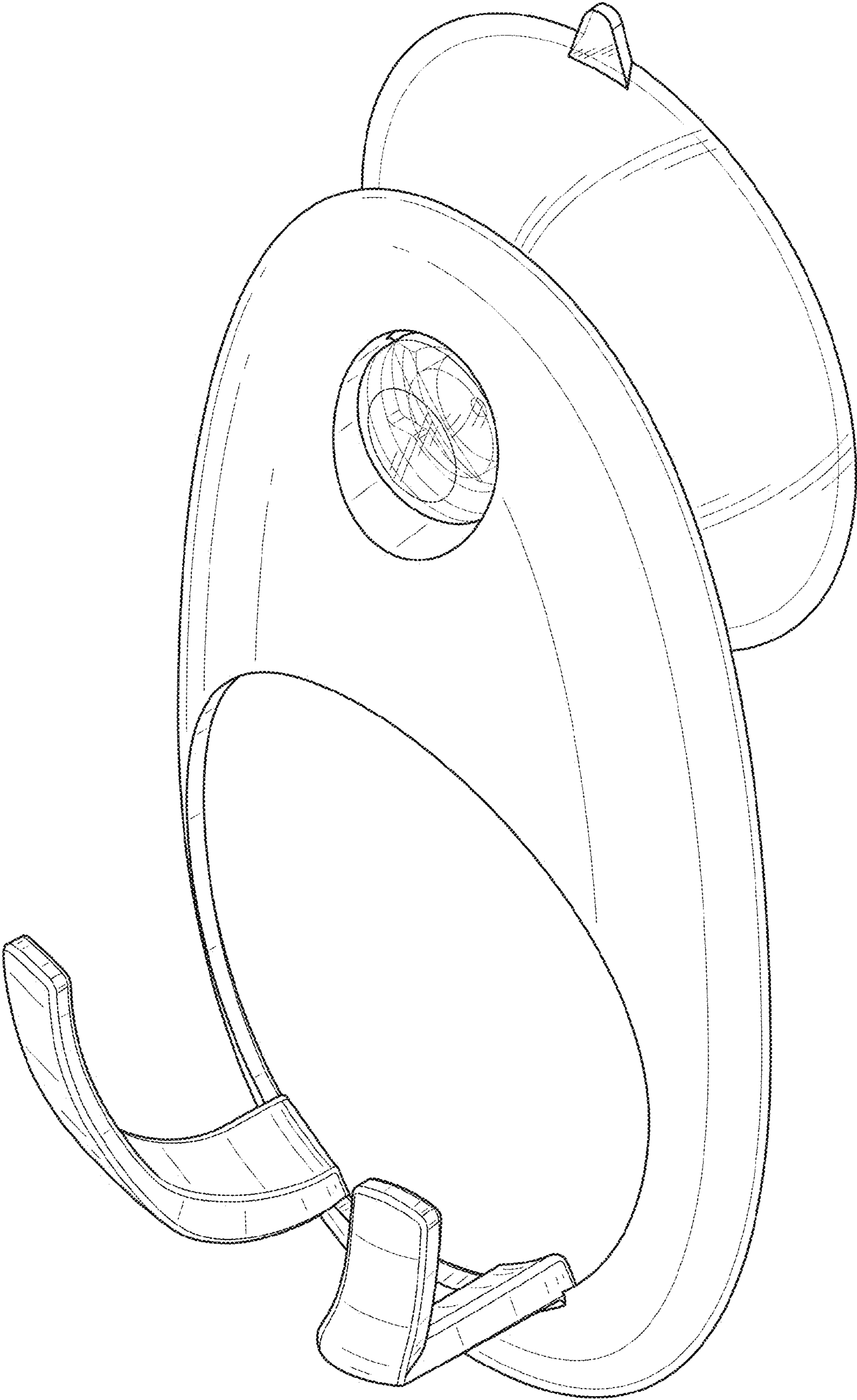


FIG. 1

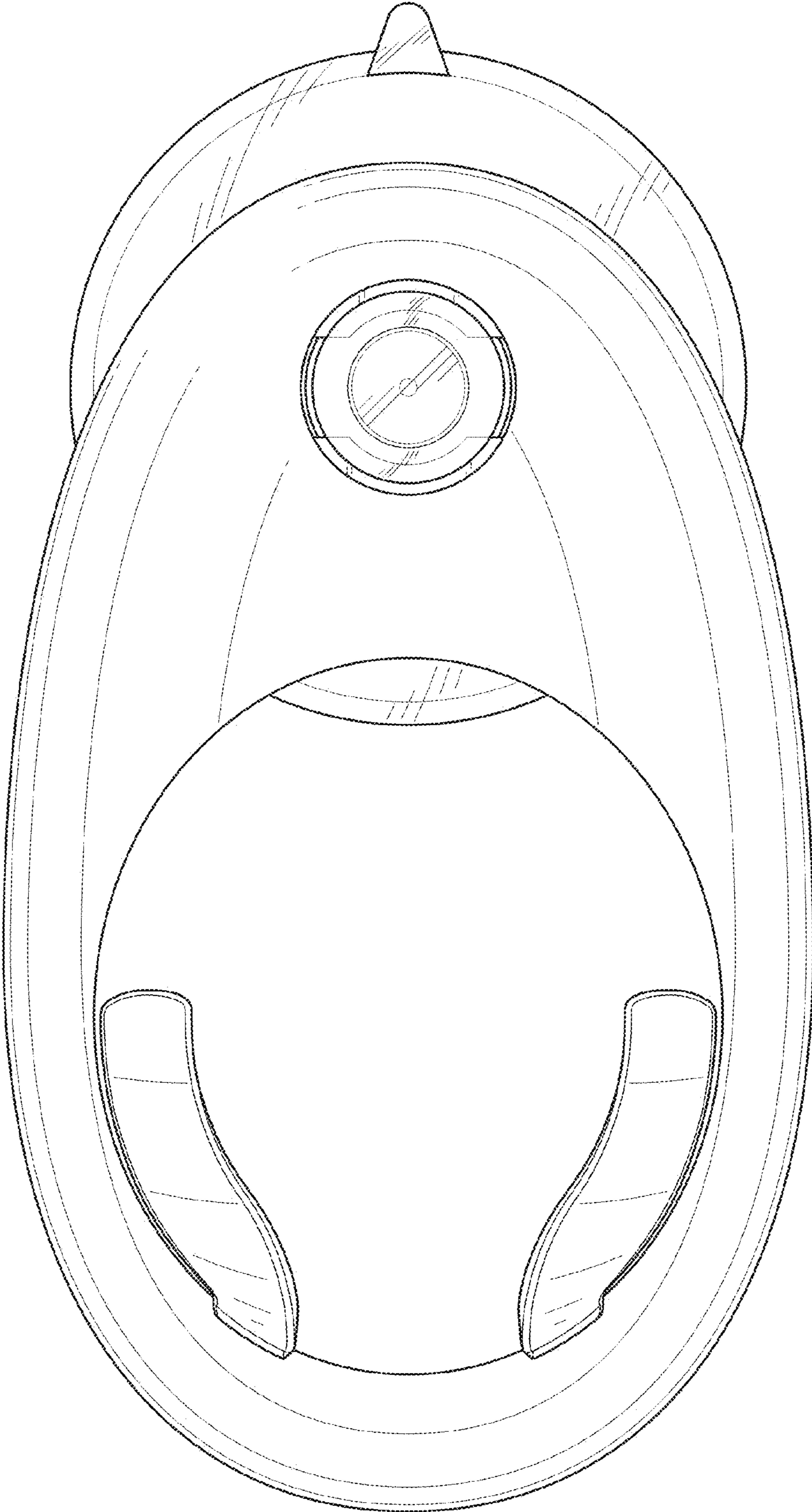


FIG. 2

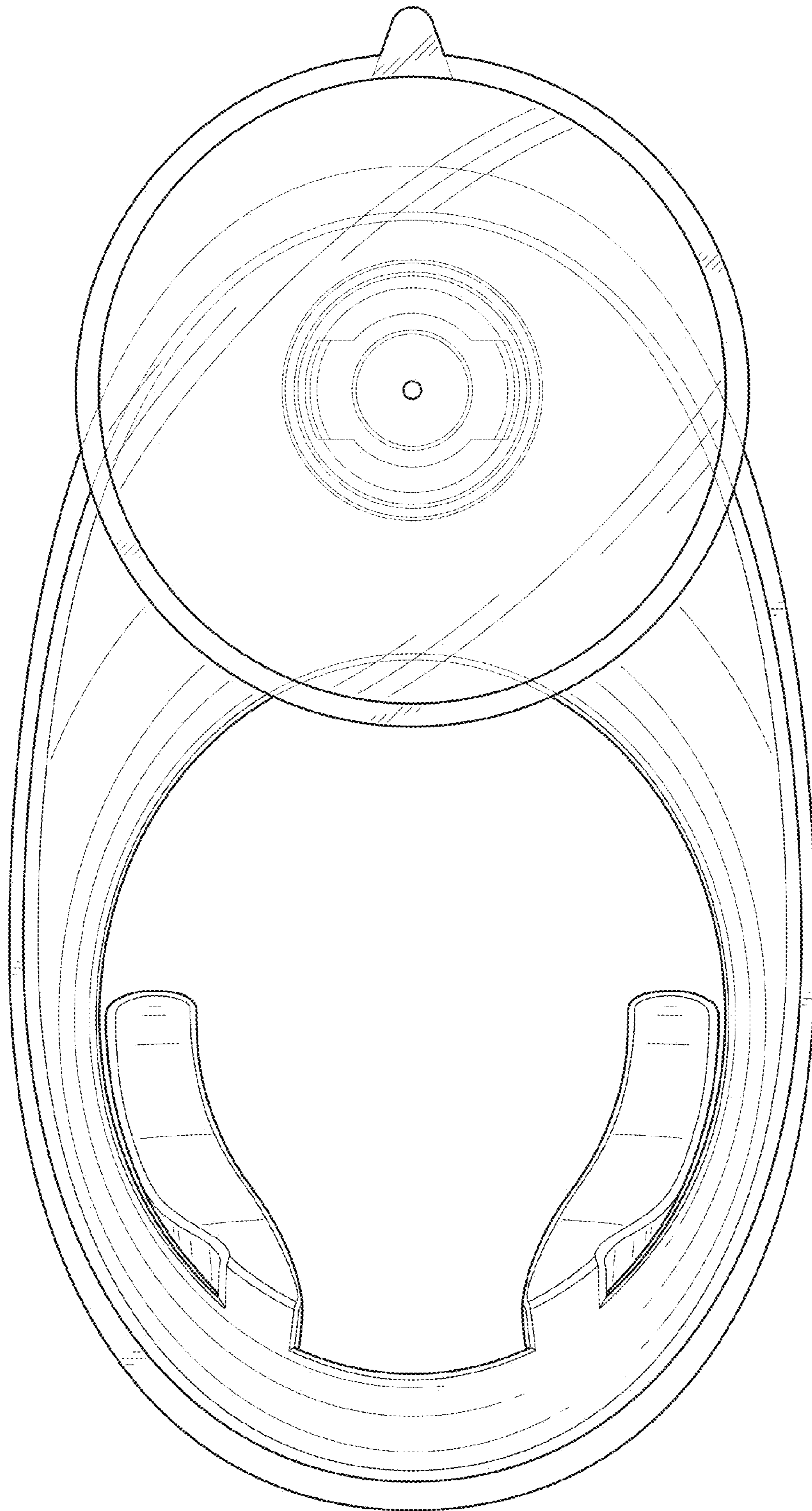


FIG. 3

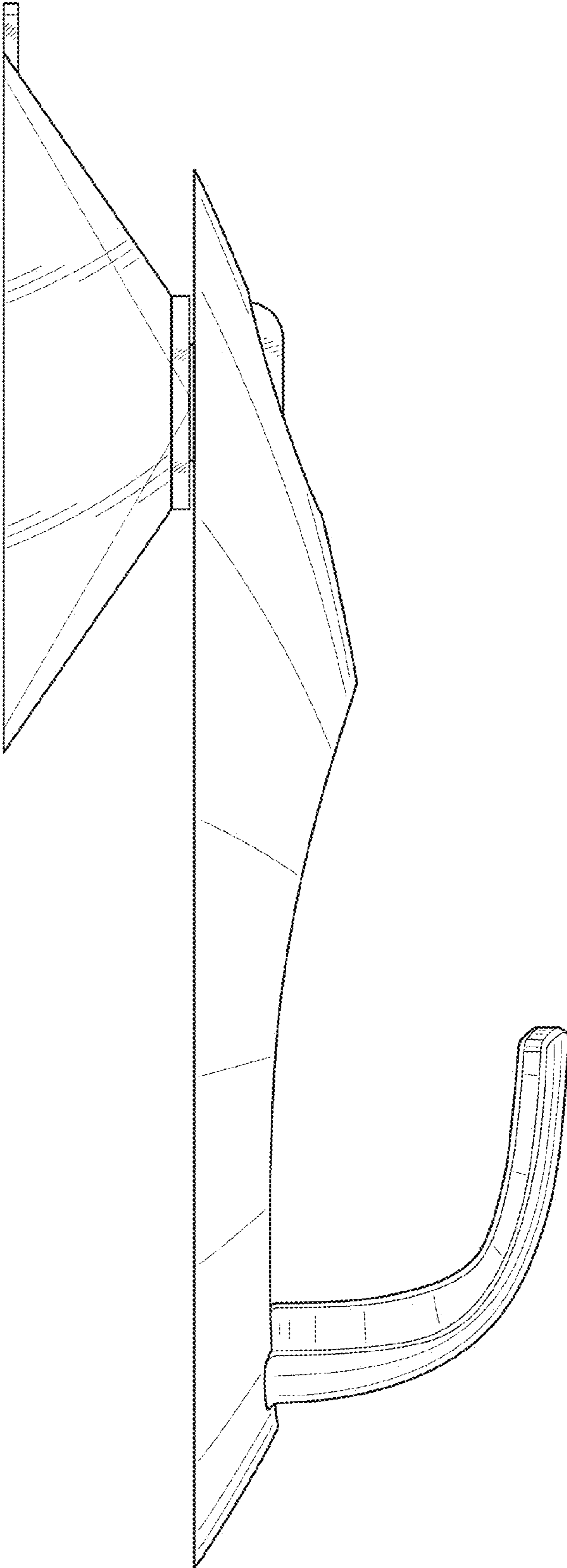


FIG. 4

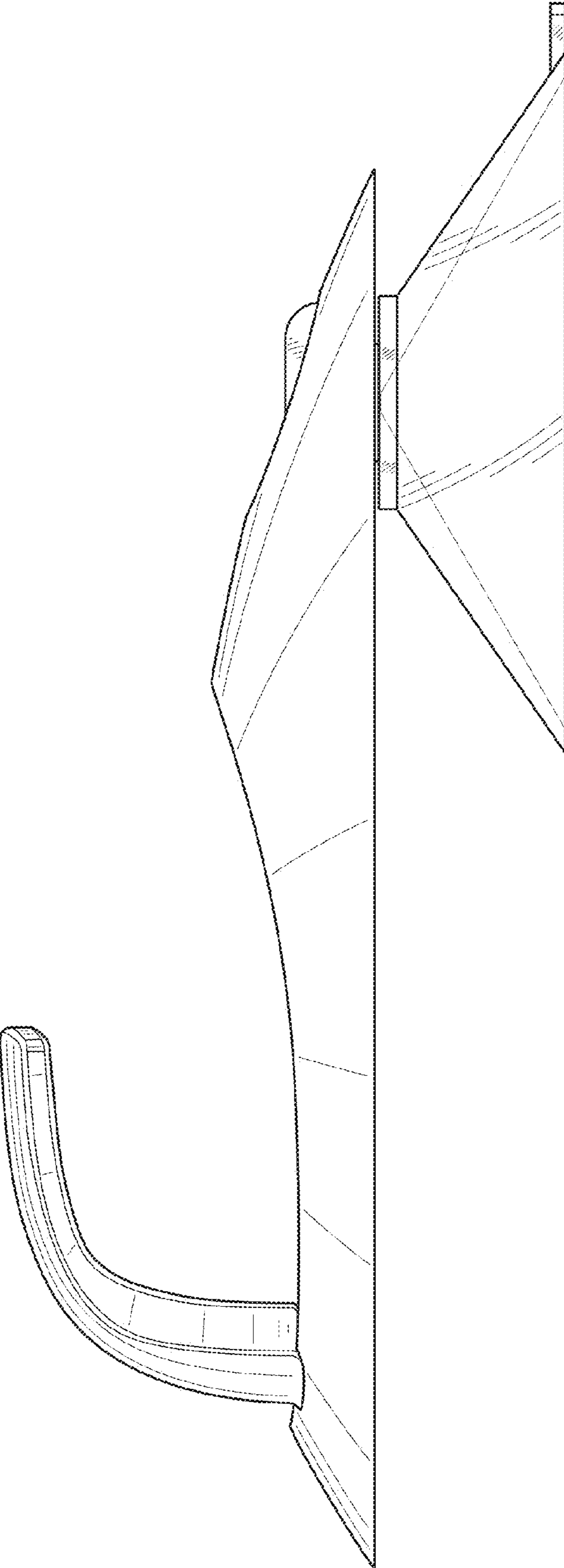


FIG. 5

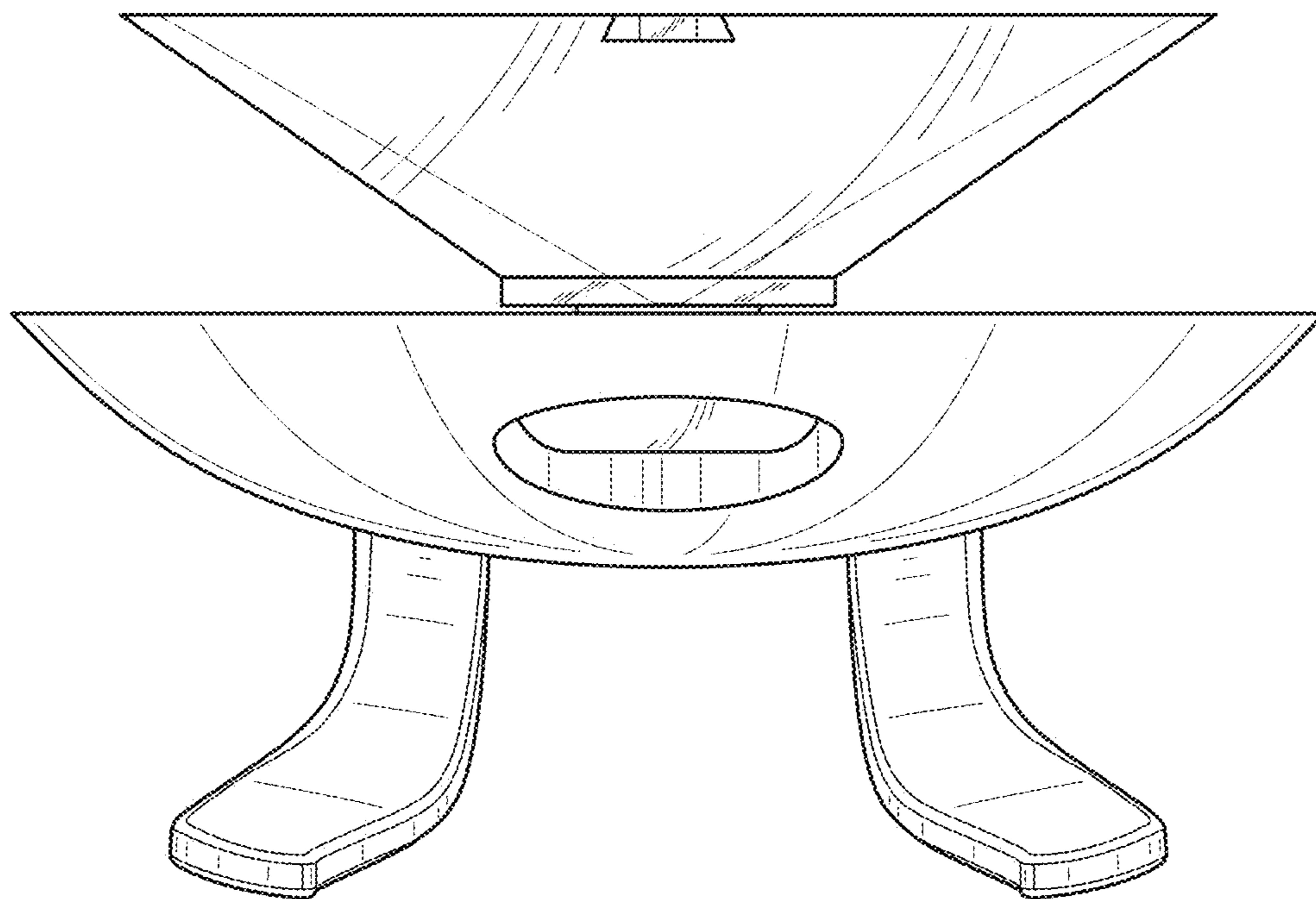


FIG. 6

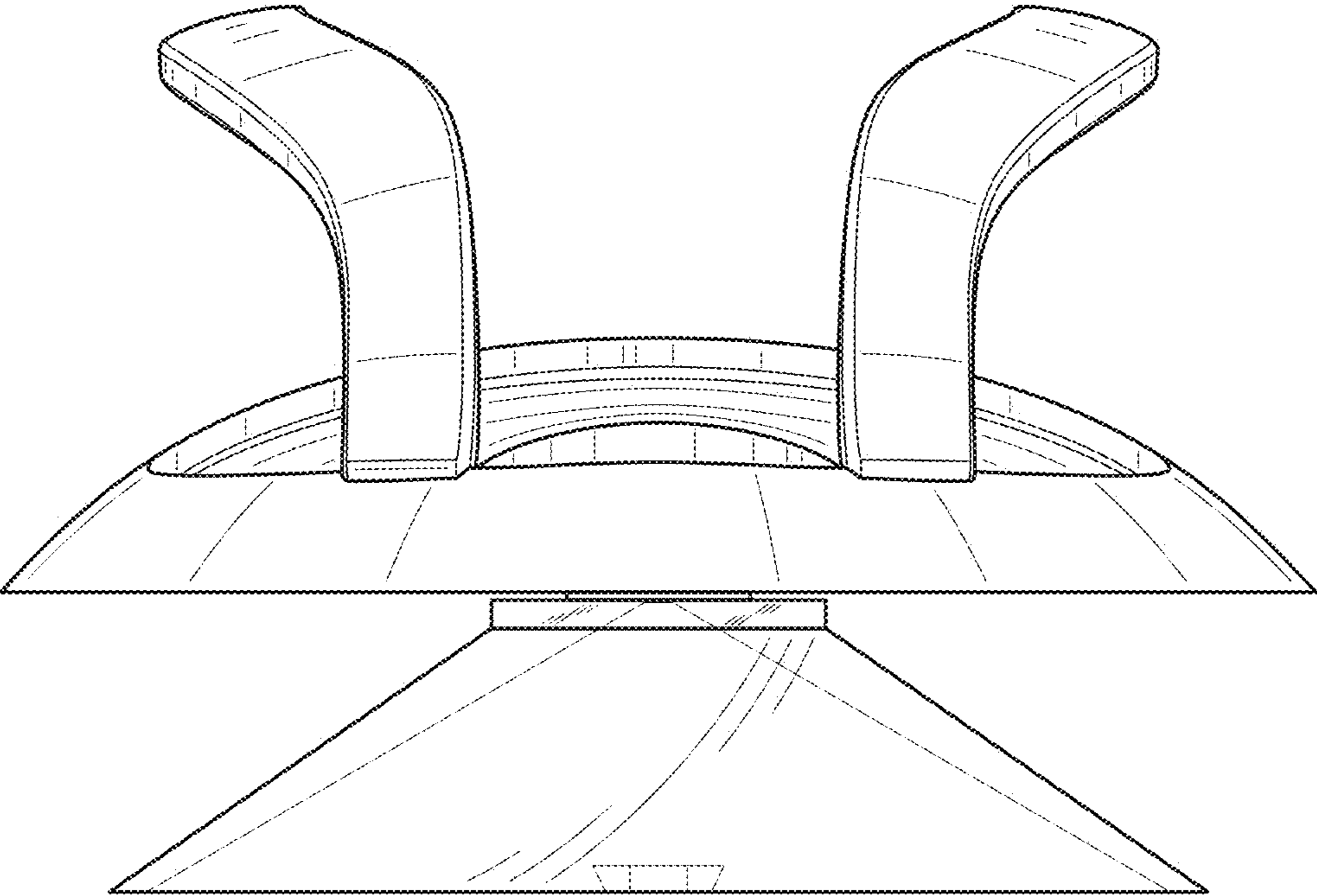


FIG. 7

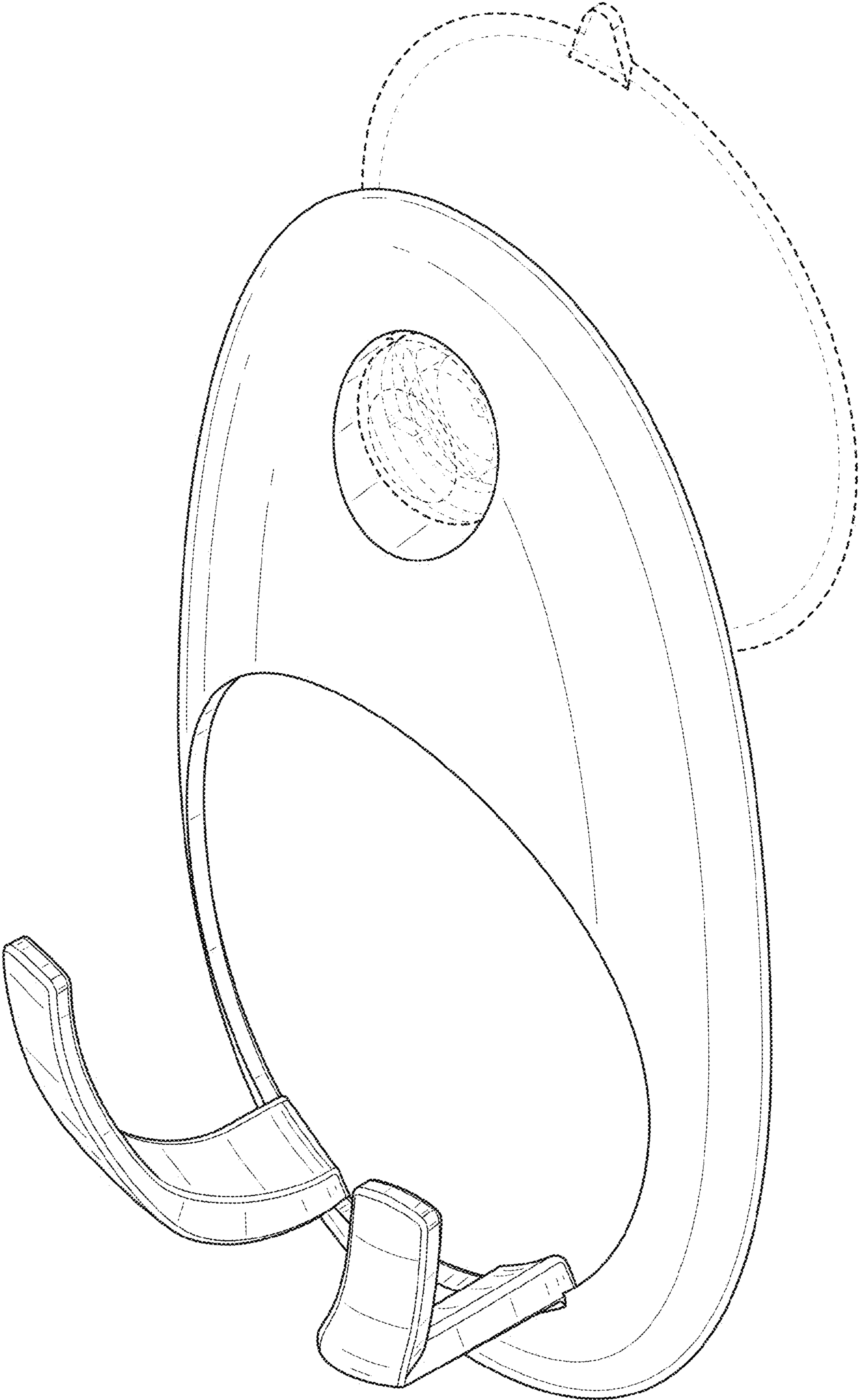


FIG. 8

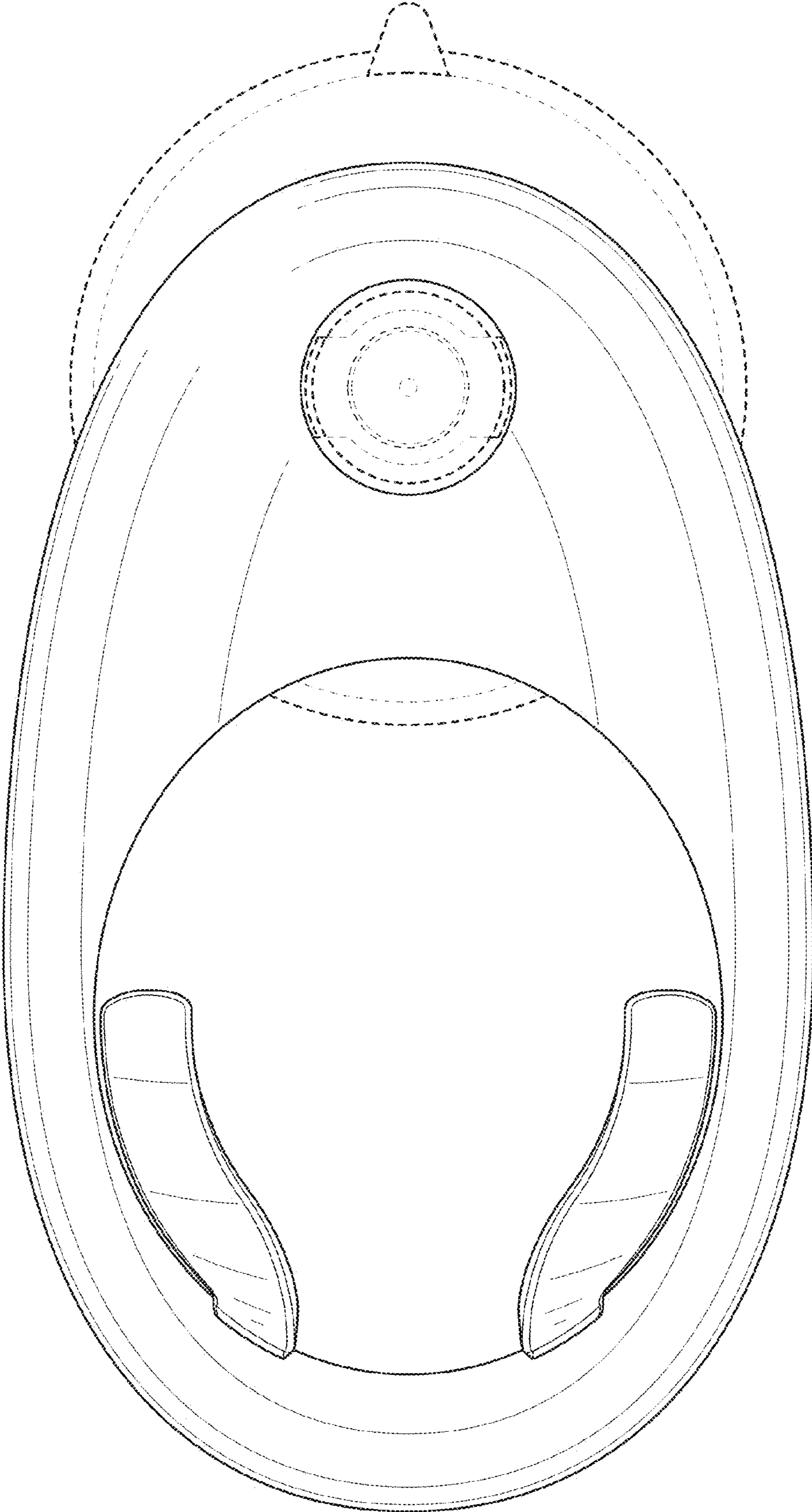


FIG. 9

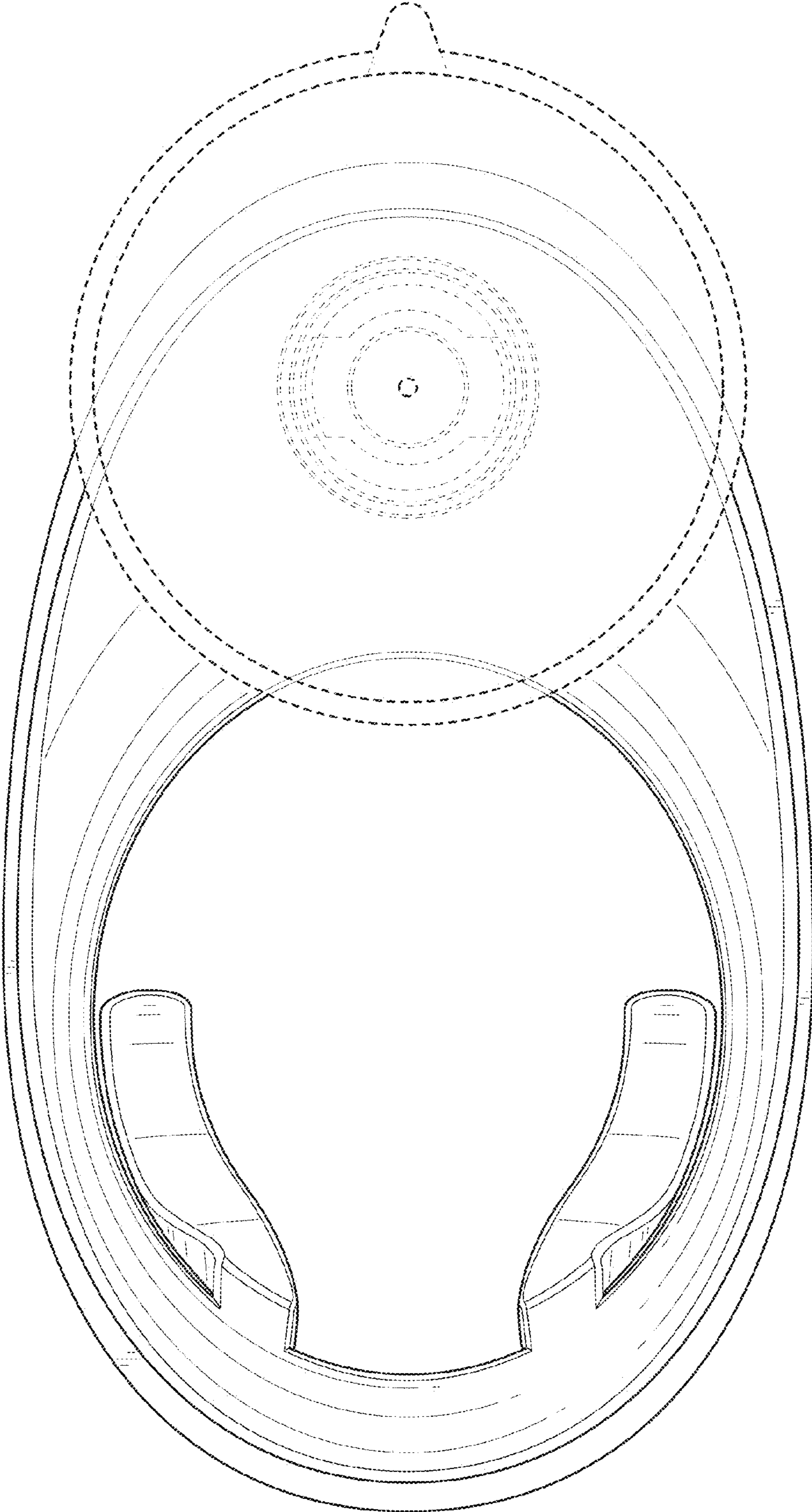


FIG. 10

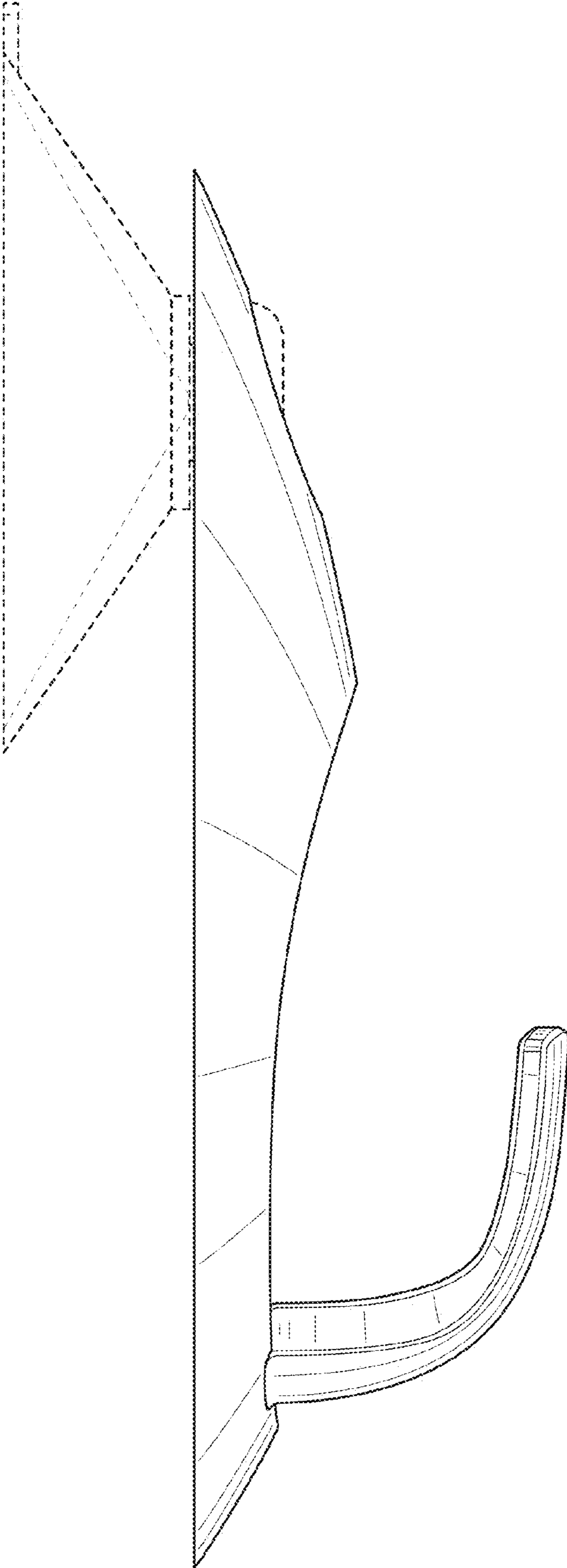


FIG. 11

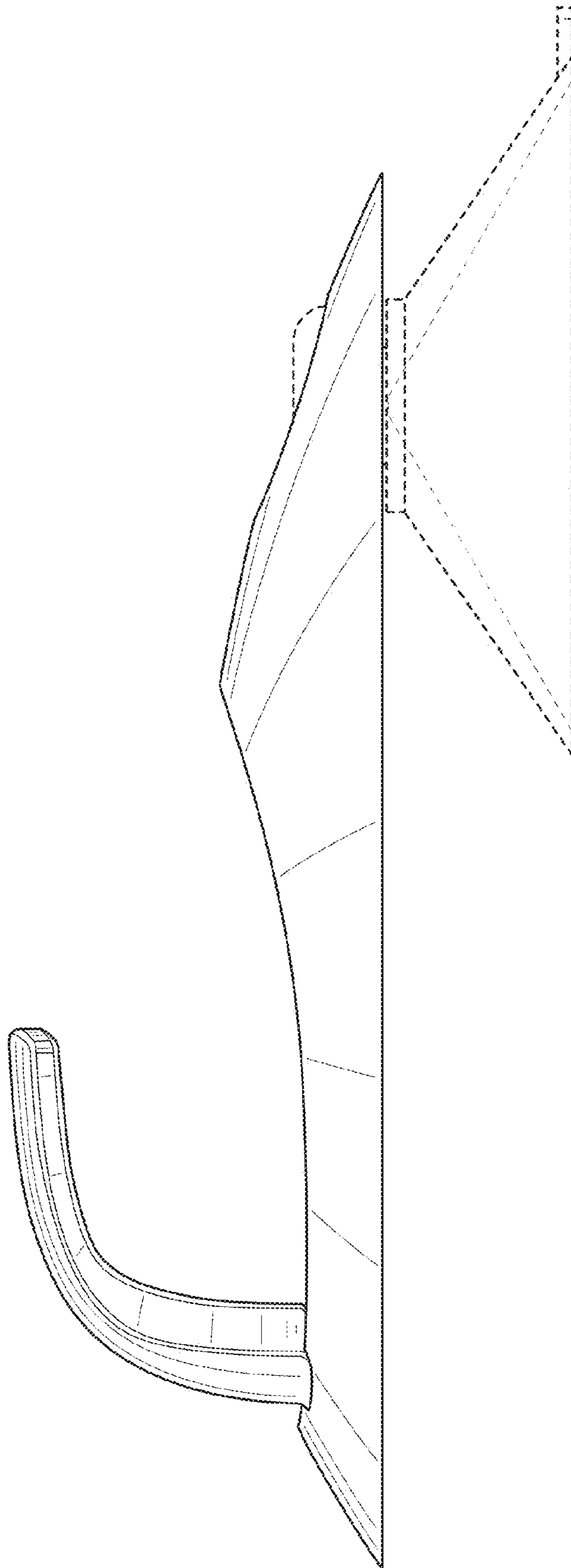


FIG. 12

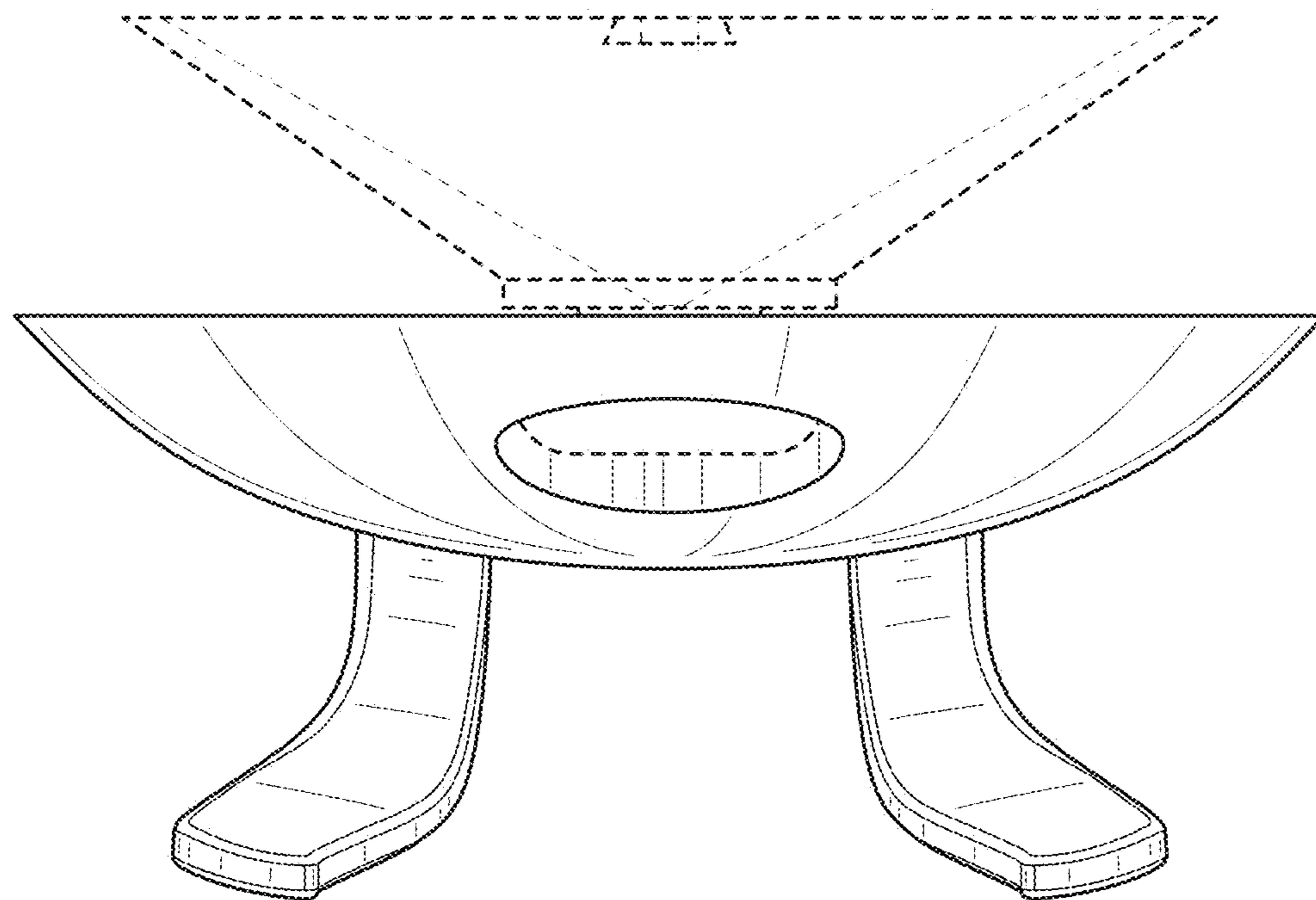


FIG. 13

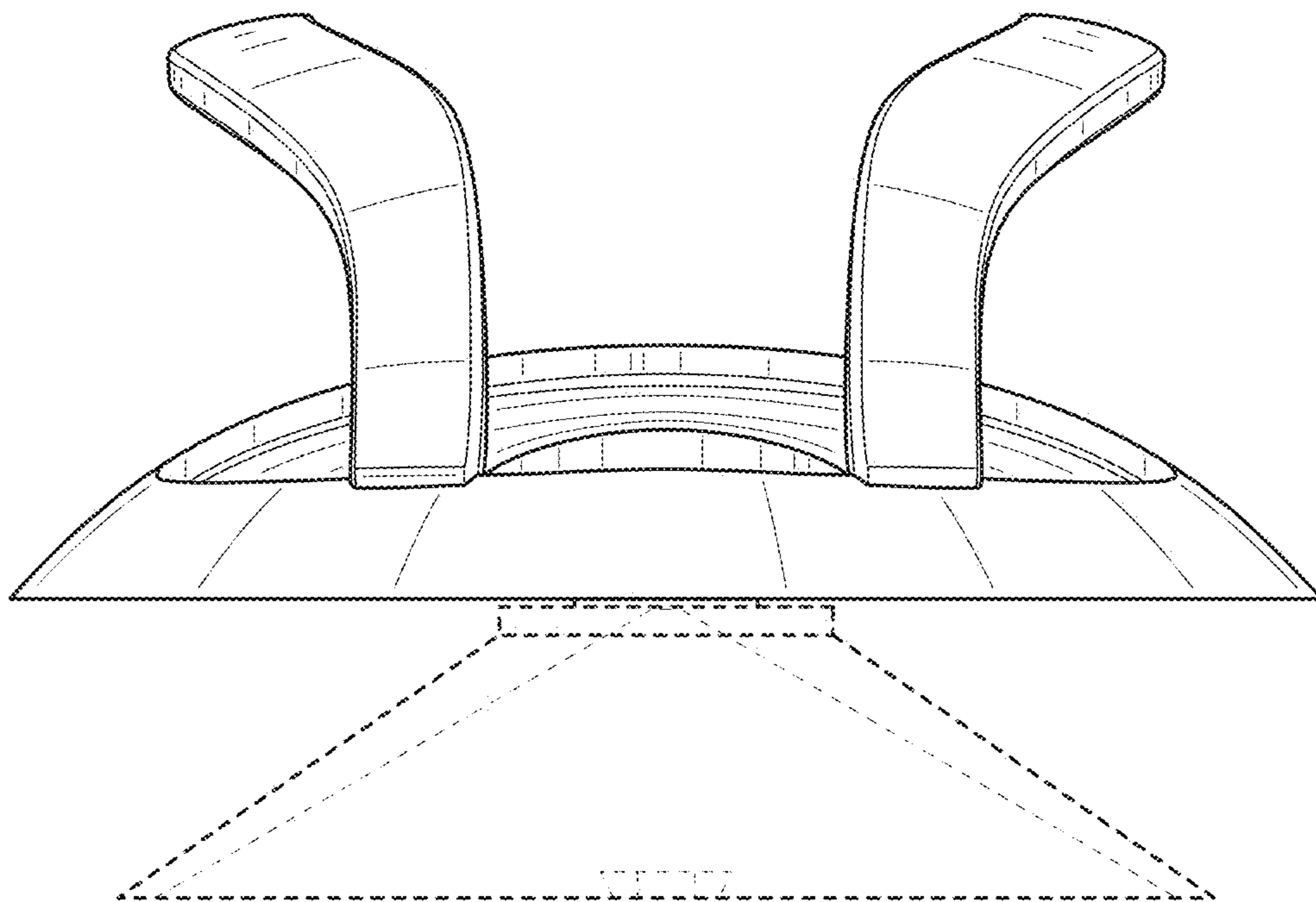


FIG. 14