



US00D889161S

(12) **United States Design Patent** (10) **Patent No.:** **US D889,161 S**
Skinner (45) **Date of Patent:** **** Jul. 7, 2020**

(54) **PAPER TOWEL DISPENSER**
(71) Applicant: **Brightwell Dispensers Limited,**
Newhaven (GB)
(72) Inventor: **Piers Skinner,** Newhaven (GB)
(73) Assignee: **Brightwell Dispensers Limited,**
Newhaven (GB)
(**) Term: **15 Years**
(21) Appl. No.: **29/664,479**

D615,329	S	*	5/2010	Meyerhoffer	D6/518
D623,452	S	*	9/2010	McNeely	D6/518
D634,953	S	*	3/2011	Meyerhoffer	D6/518
D653,888	S	*	2/2012	Velazquez	D6/518
D664,796	S	*	8/2012	Cattacin	D6/518
D668,484	S	*	10/2012	Velazquez	D6/518
D670,518	S	*	11/2012	Kluck	D6/515
D677,085	S	*	3/2013	Velazquez	D6/518
D687,653	S	*	8/2013	Giovannoni	D6/545
D695,542	S	*	12/2013	Niada	D6/518
D740,587	S	*	10/2015	Sun Ting Kung	D6/518
D796,867	S	*	9/2017	Johnson	D6/518
D798,629	S	*	10/2017	Sinclair	D6/518
D799,235	S	*	10/2017	Madsen	D6/518

(Continued)

(22) Filed: **Sep. 25, 2018**
(30) **Foreign Application Priority Data**
Mar. 26, 2018 (EM) 5101516-0003
(51) **LOC (12) Cl.** **20-02**
(52) **U.S. Cl.**
USPC **D6/518**; D6/522
(58) **Field of Classification Search**
USPC D6/515-523, 545; 211/13.1, 173, 180,
211/45, 86.01, 87.02, 87.01; 248/309.1,
248/309.2, 904; 242/570, 590; 206/225,
206/233, 389, 391, 77.1; 221/26, 33,
221/282, 283, 14, 92, 105; 222/173, 180,
222/281-282
CPC A47K 10/424; A47K 10/42; A47K 10/24
See application file for complete search history.

OTHER PUBLICATIONS

youtube.com, modular hand towel adaptor plate from brightwell dispensers, Mar. 29, 2019, <https://www.youtube.com/watch?v=IASyQuX4tM> (Year: 2019).*

(Continued)

Primary Examiner — Nathan M Johnston
(74) *Attorney, Agent, or Firm* — Levy & Grandinetti

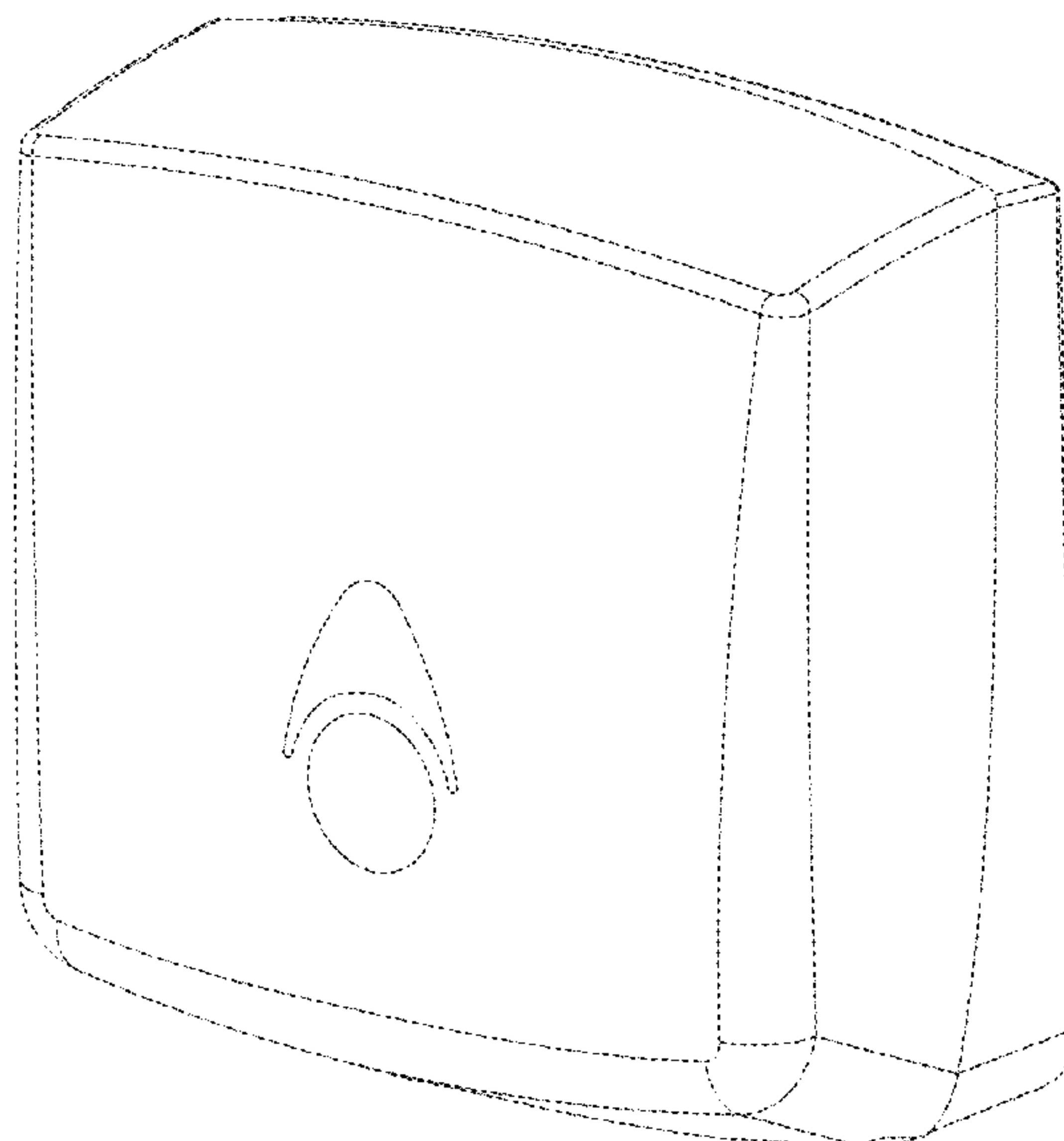
(57) **CLAIM**

I claim the ornamental design for a paper towel dispenser, as shown and described.

DESCRIPTION

FIG. 1 is a front view of a paper towel dispenser showing my new design;
FIG. 2 is a back view of a paper towel dispenser;
FIG. 3 is a top view of a paper towel dispenser;
FIG. 4 is a bottom view of a paper towel dispenser;
FIG. 5 is a left view of a paper towel dispenser;
FIG. 6 is a right view of a paper towel dispenser; and,
FIG. 7 is an isometric view of a paper towel dispenser.
The broken lines show portions of the design that form no part of the claimed design.

1 Claim, 7 Drawing Sheets



(56)

References Cited

U.S. PATENT DOCUMENTS

D810,460 S * 2/2018 Blick D6/518
D811,770 S * 3/2018 Brownley D6/545
D824,188 S * 7/2018 Wiles D6/523
2013/0092701 A1* 4/2013 Tramontina A47K 10/424
221/45
2016/0374519 A1* 12/2016 Murphy A47K 5/1217
222/23
2018/0035850 A1* 2/2018 Larsson A47K 10/424
2018/0333013 A1* 11/2018 Starkey A47K 10/36

OTHER PUBLICATIONS

youtube, myriad soap and paper dispenser range, May 9, 2018,
<https://www.youtube.com/watch?v=aAPrqrUupiw> (Year: 2018).*

* cited by examiner

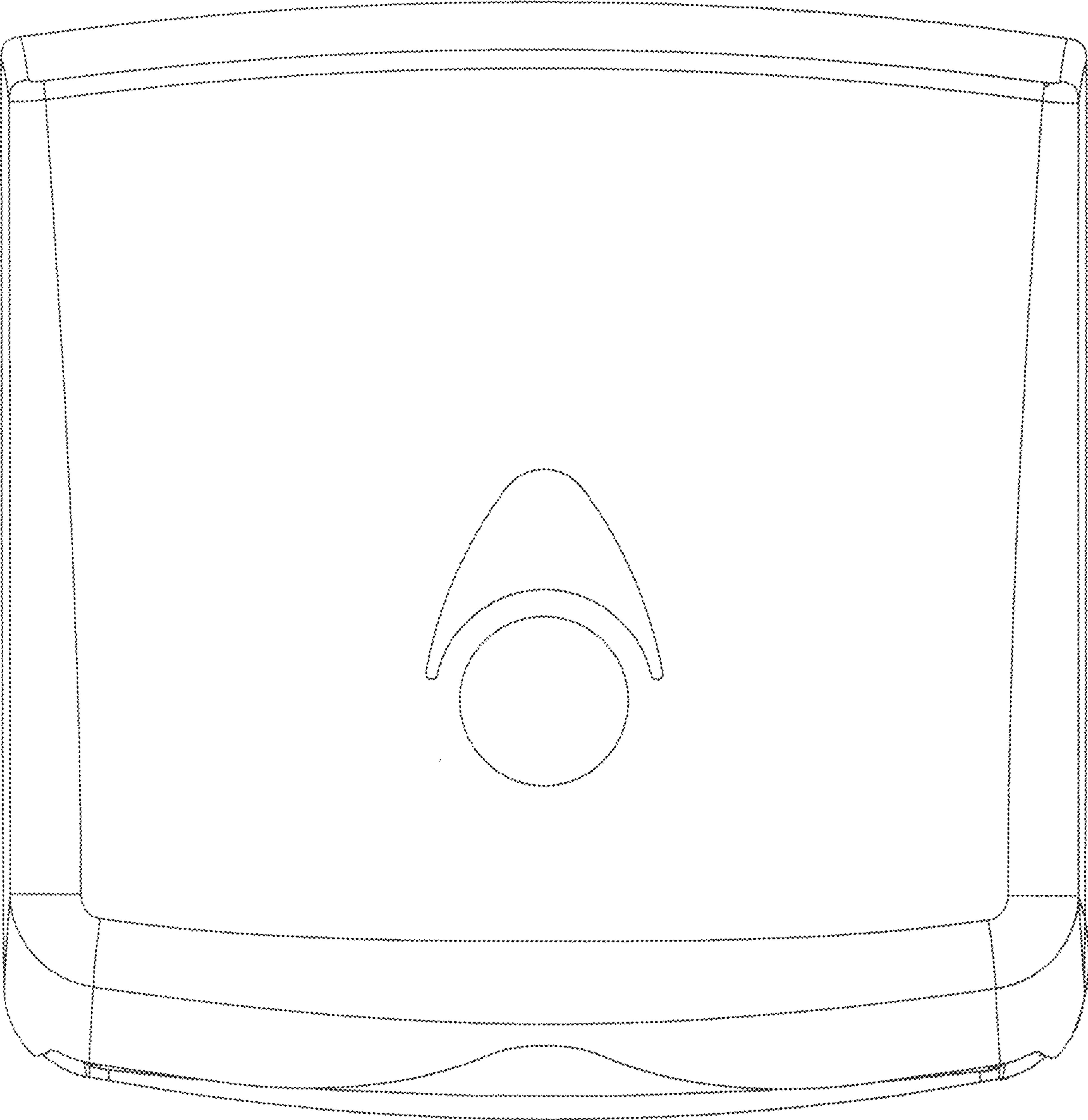


FIG. 1

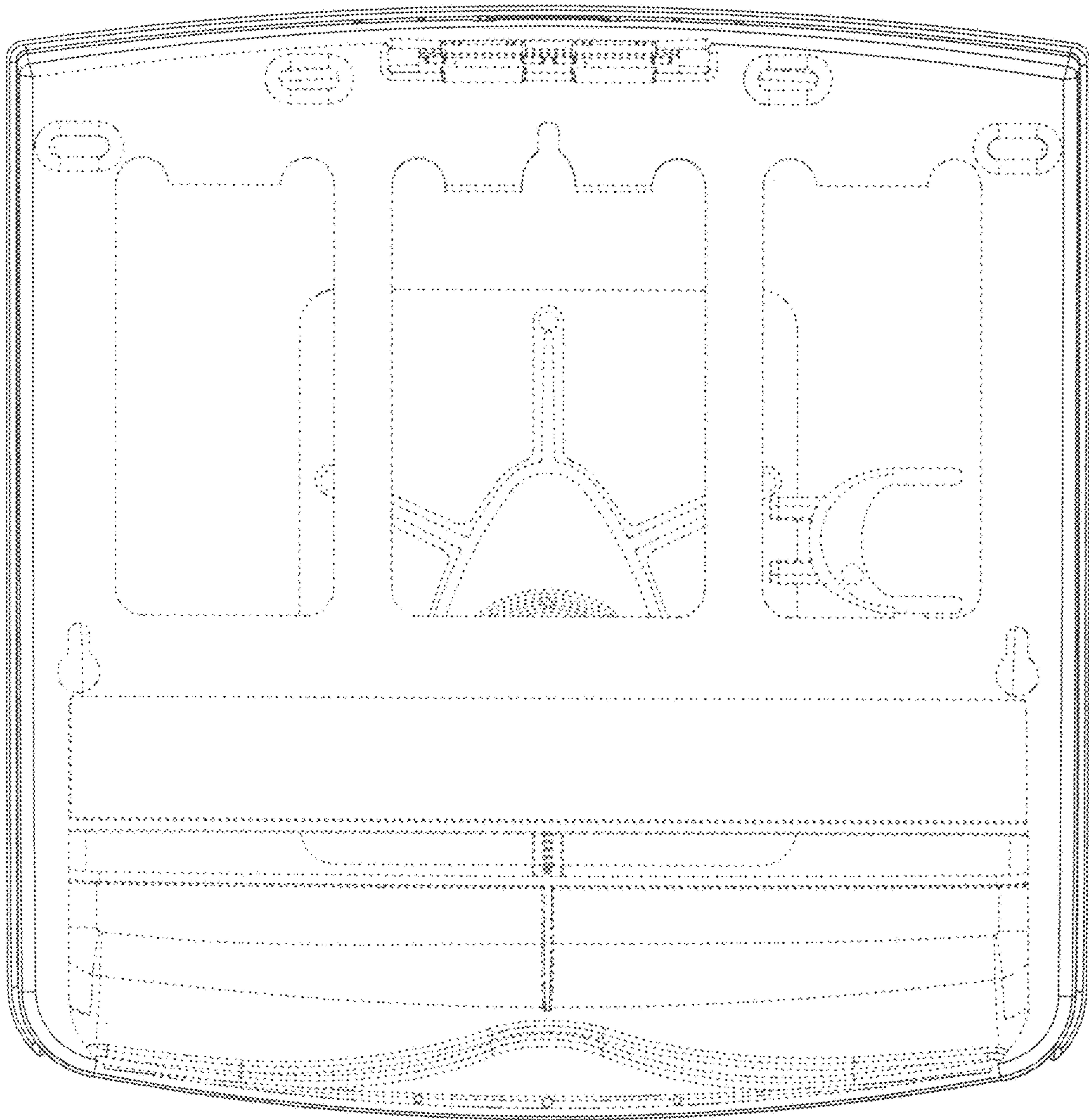


FIG. 2

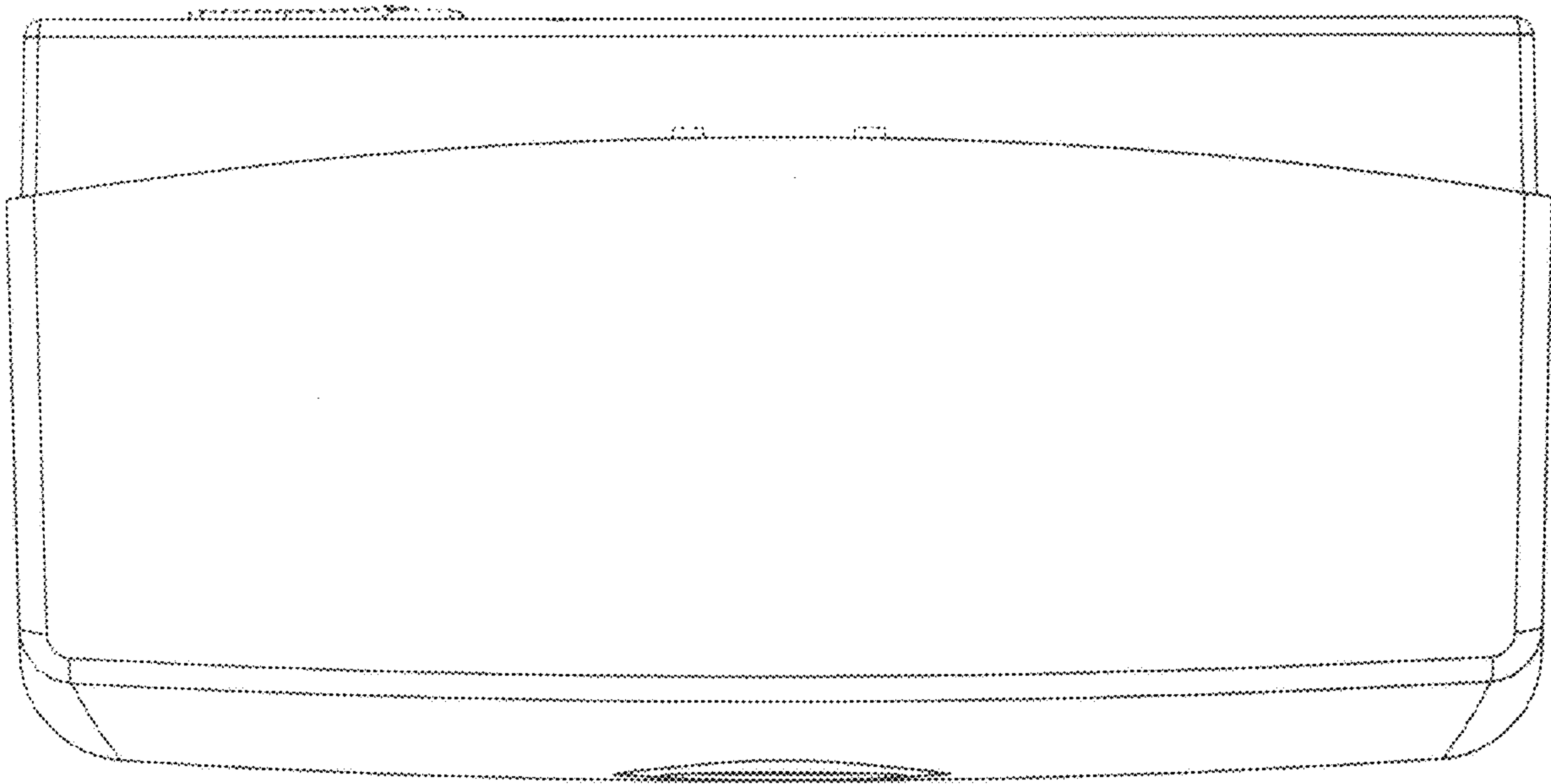


FIG. 3

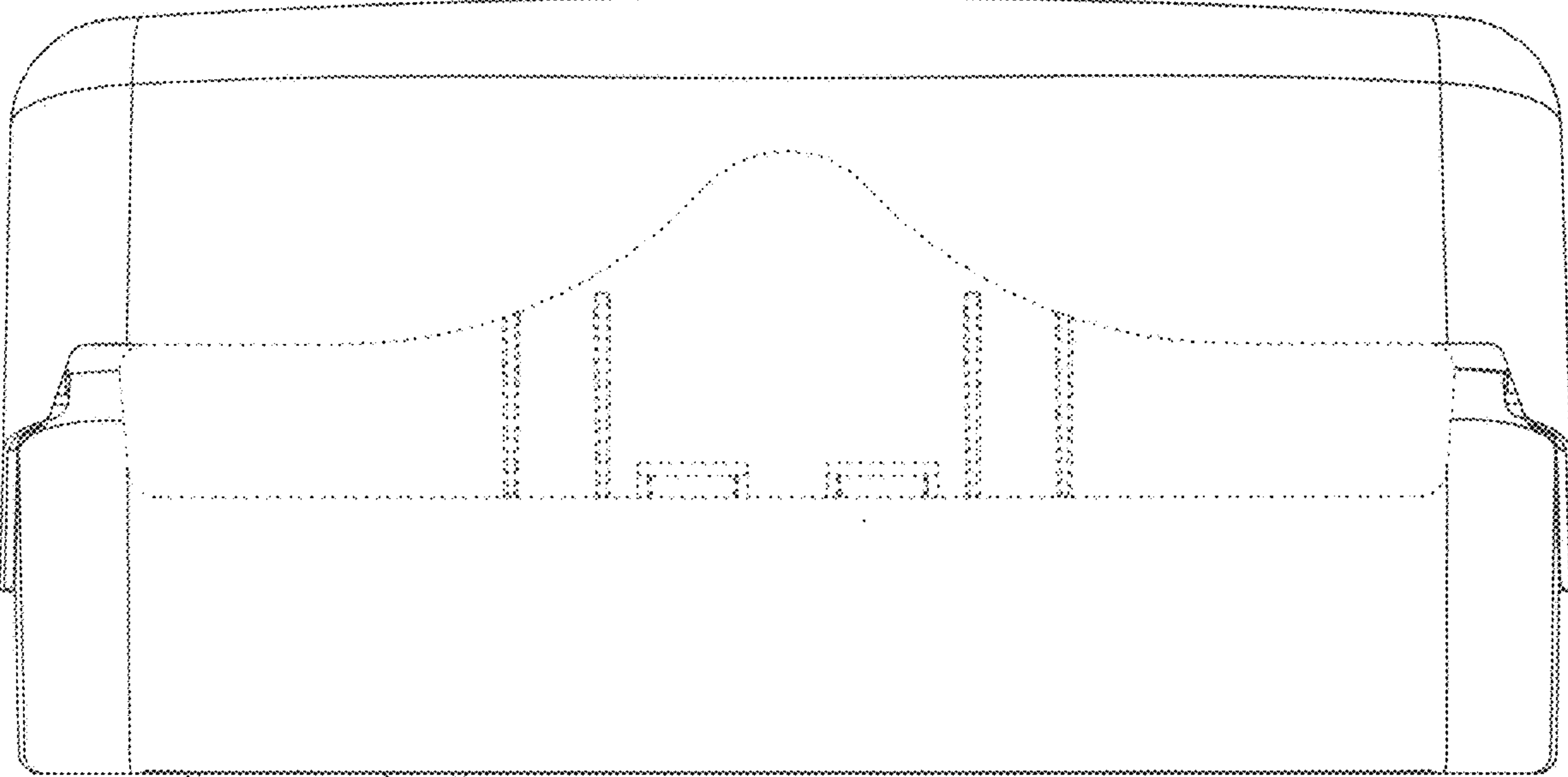


FIG. 4

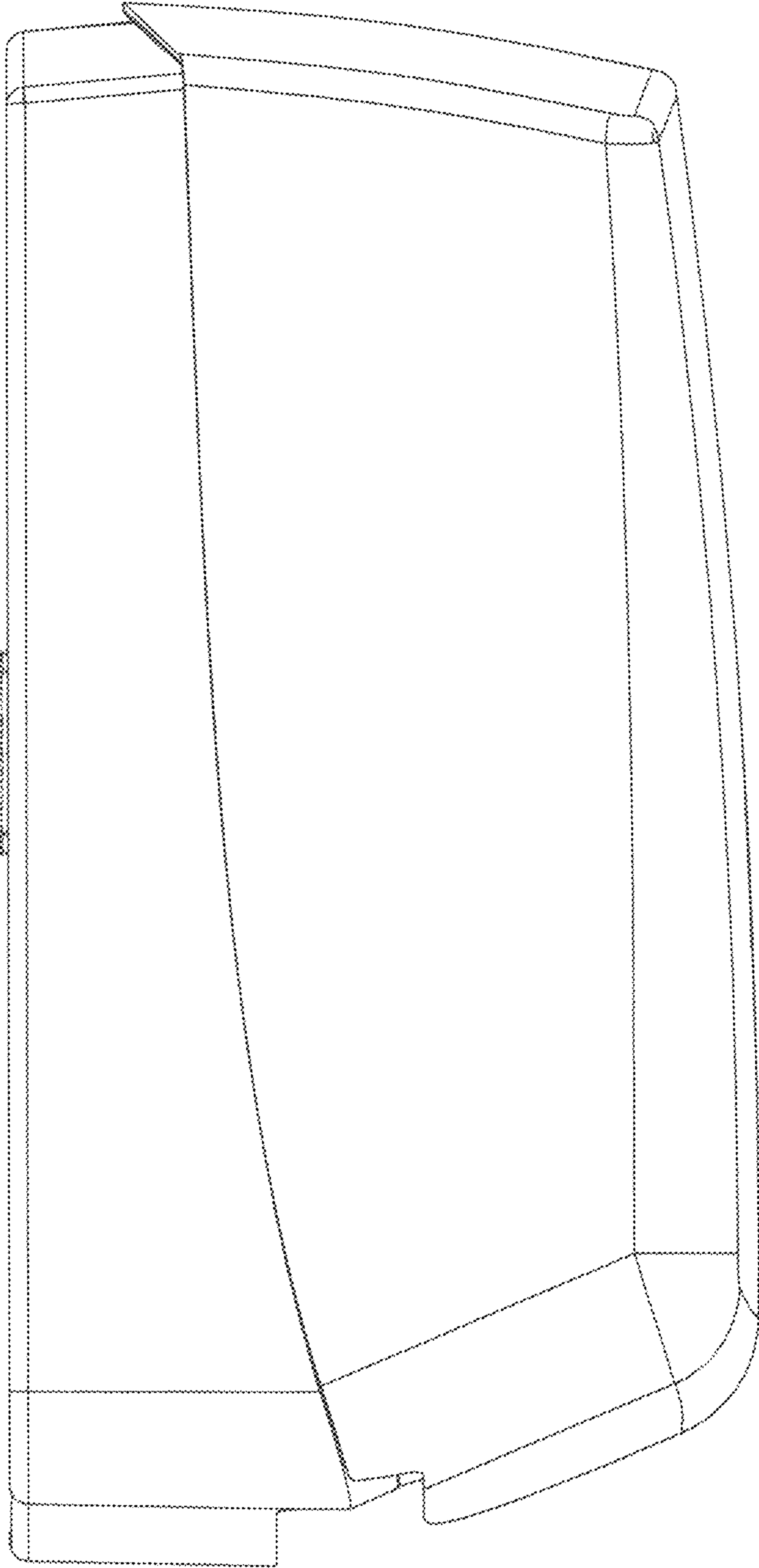


FIG. 5

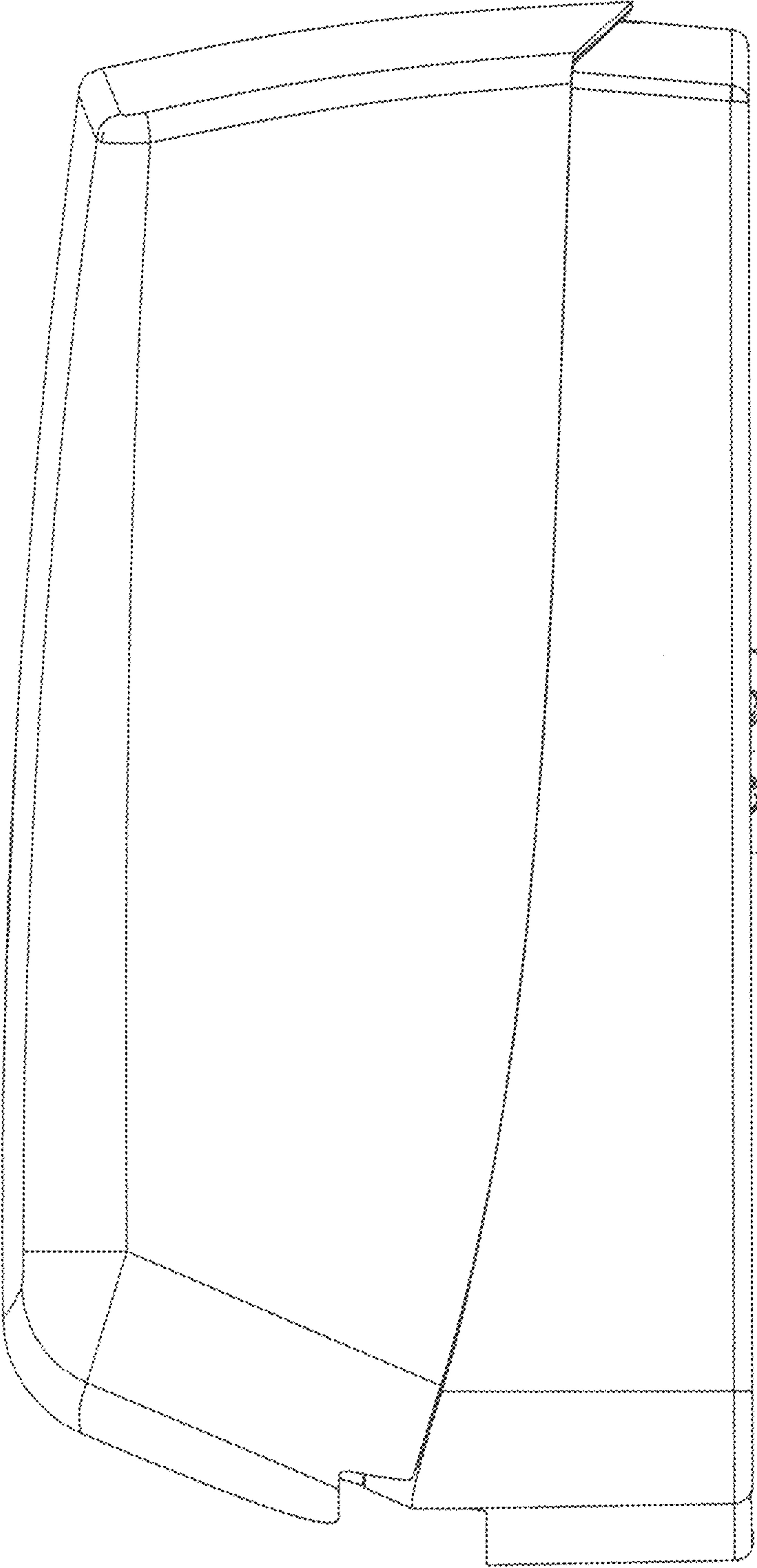


FIG. 6

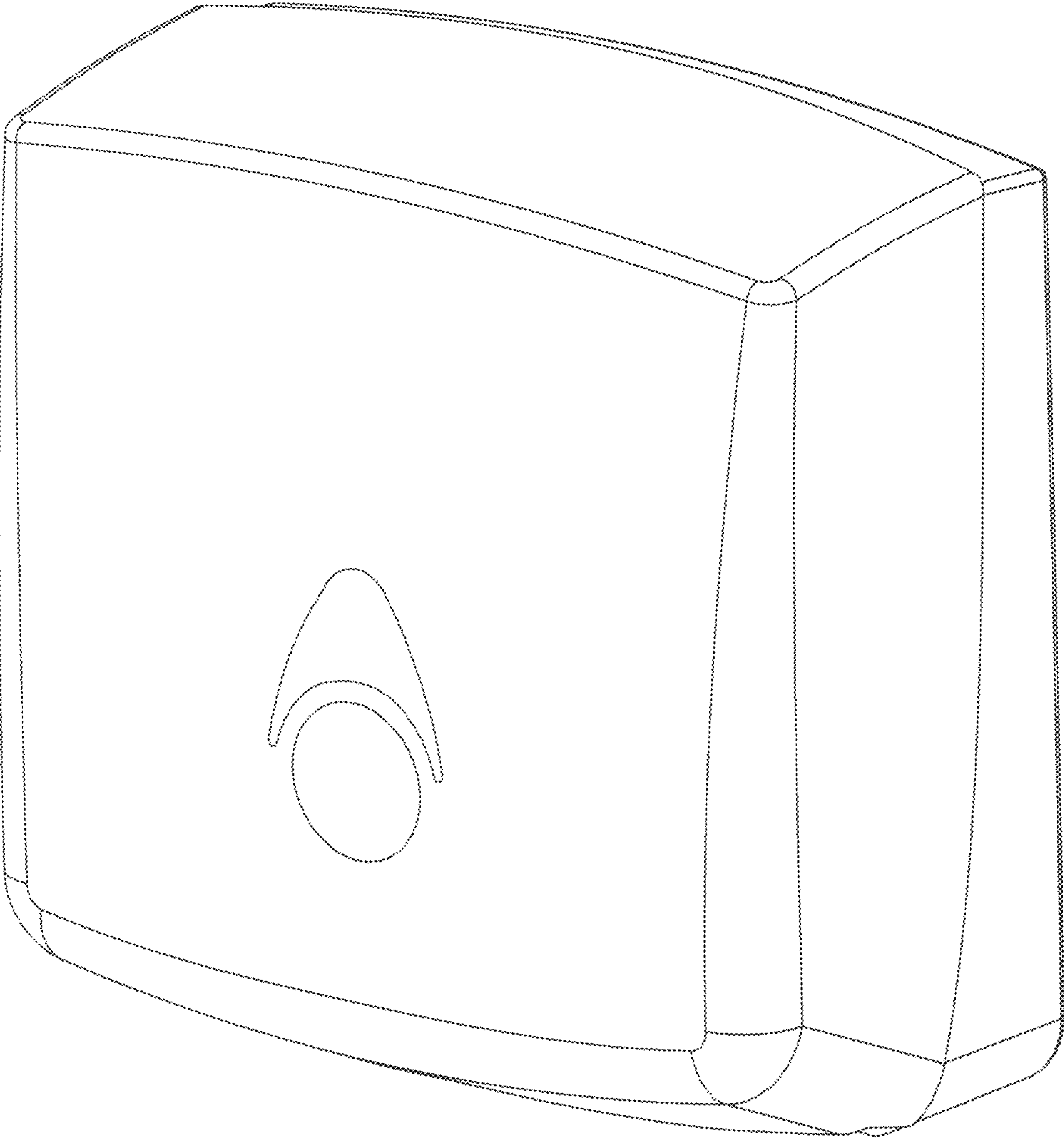


FIG. 7