



US00D889160S

(12) **United States Design Patent**
Abbott

(10) **Patent No.:** **US D889,160 S**

(45) **Date of Patent:** **** Jul. 7, 2020**

(54) **SPECIMEN CUP DISPENSER AND ASSOCIATED WIPE DISPENSER**

(71) Applicant: **Maureen Abbott**, High Level (CA)

(72) Inventor: **Maureen Abbott**, High Level (CA)

(**) Term: **15 Years**

(21) Appl. No.: **29/679,605**

(22) Filed: **Feb. 7, 2019**

(51) **LOC (12) Cl.** **20-02**

(52) **U.S. Cl.**
USPC **D6/516**

(58) **Field of Classification Search**
USPC D6/515, 516; 206/217, 427; 211/13.1, 211/49.1, 74; 221/45, 282, 283, 284, 221/285; 222/173, 180, 181.1, 181.2
CPC A47F 1/085; G07F 13/10; G07F 13/065
See application file for complete search history.

(56) **References Cited**

U.S. PATENT DOCUMENTS

4,163,508	A	4/1979	Mannor	
D304,535	S *	11/1989	White	D6/516
D414,060	S *	9/1999	Talbot-Titley	D6/516
D421,356	S *	3/2000	Wolff	D6/516
6,199,723	B1	3/2001	Collins et al.	
6,427,868	B1	8/2002	Vine	
D477,480	S *	7/2003	Luu	D6/516
6,789,697	B2	9/2004	Neess	

D497,504	S *	10/2004	Lledo	D6/516
6,966,454	B2	11/2005	Kawolics et al.	
8,763,854	B2	7/2014	Meyer et al.	
9,198,526	B2	12/2015	Meyer et al.	
D779,852	S *	2/2017	Covert	D6/516
2007/0295746	A1	12/2007	Gapp	
2009/0057334	A1	3/2009	Pearl et al.	
2011/0226799	A1	9/2011	Watson et al.	

* cited by examiner

Primary Examiner — Wan Laymon

Assistant Examiner — Mark Booker

(74) *Attorney, Agent, or Firm* — Cramer Patent & Design, PLLC; Aaron R. Cramer

(57) **CLAIM**

The ornamental design for a specimen cup dispenser and associated wipe dispenser, as shown and described.

DESCRIPTION

FIG. 1 is a perspective top front right view of a specimen cup dispenser and associated wipe dispenser, showing my new design;

FIG. 2 is a perspective top rear left view thereof;

FIG. 3 is a front elevation view thereof;

FIG. 4 is a rear elevation view thereof;

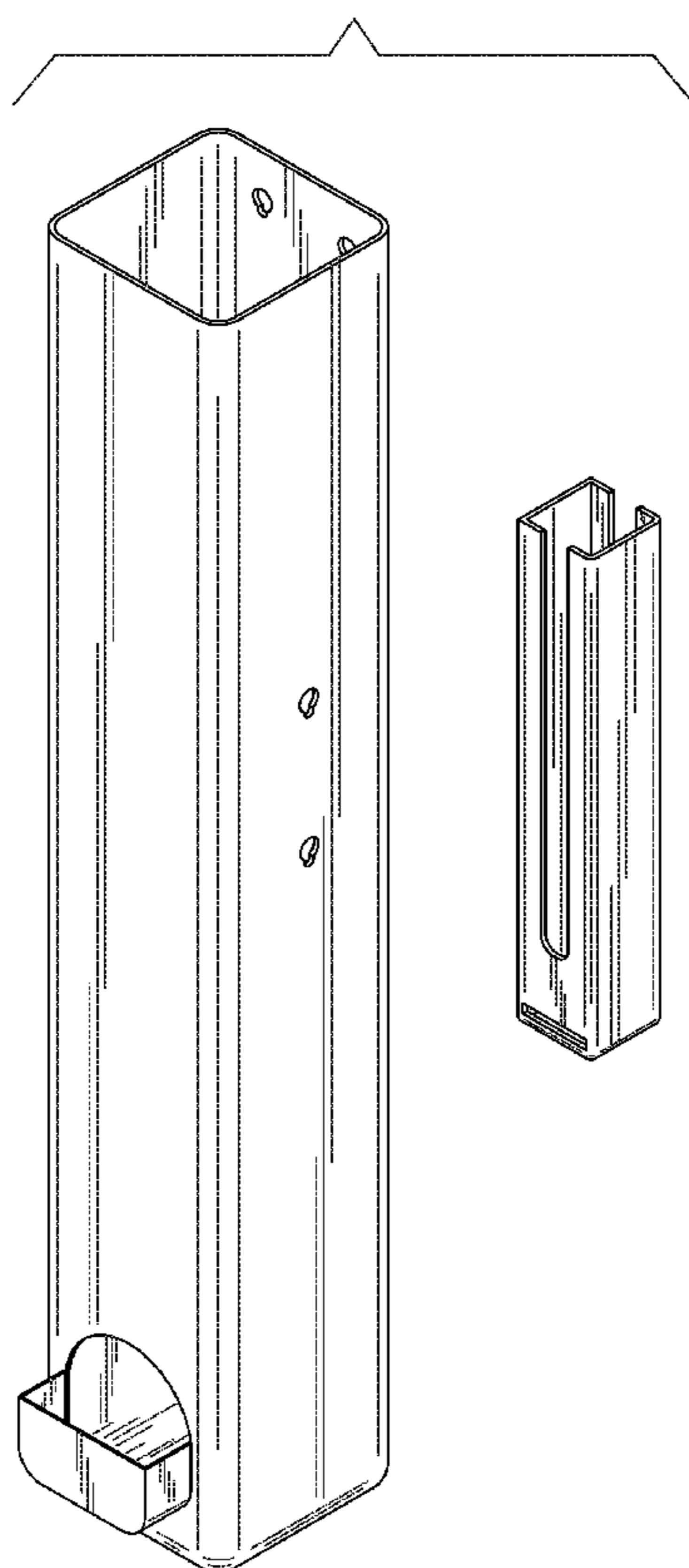
FIG. 5 is a right elevation view thereof;

FIG. 6 is a left elevation plan view thereof;

FIG. 7 is a top plan view thereof; and,

FIG. 8 is a bottom plan view thereof.

1 Claim, 7 Drawing Sheets



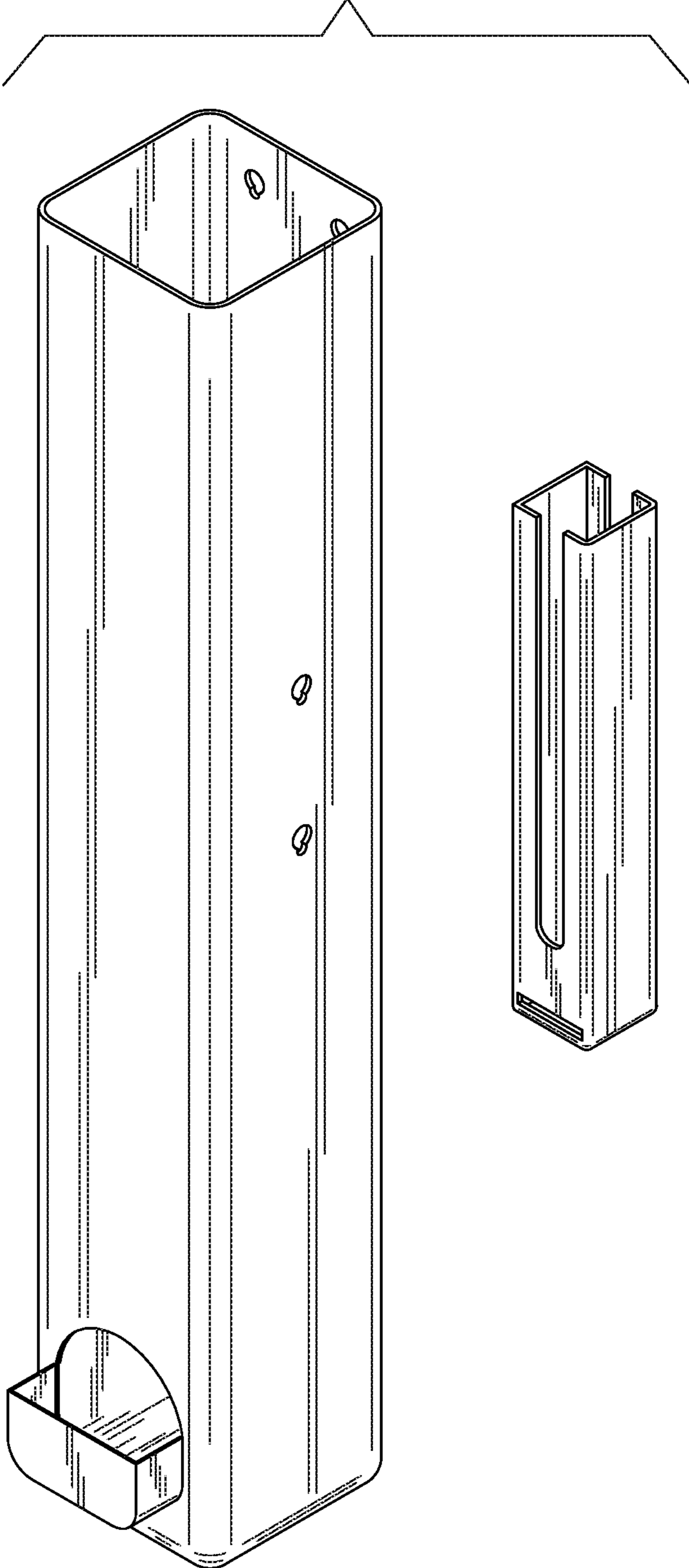


FIG. 1

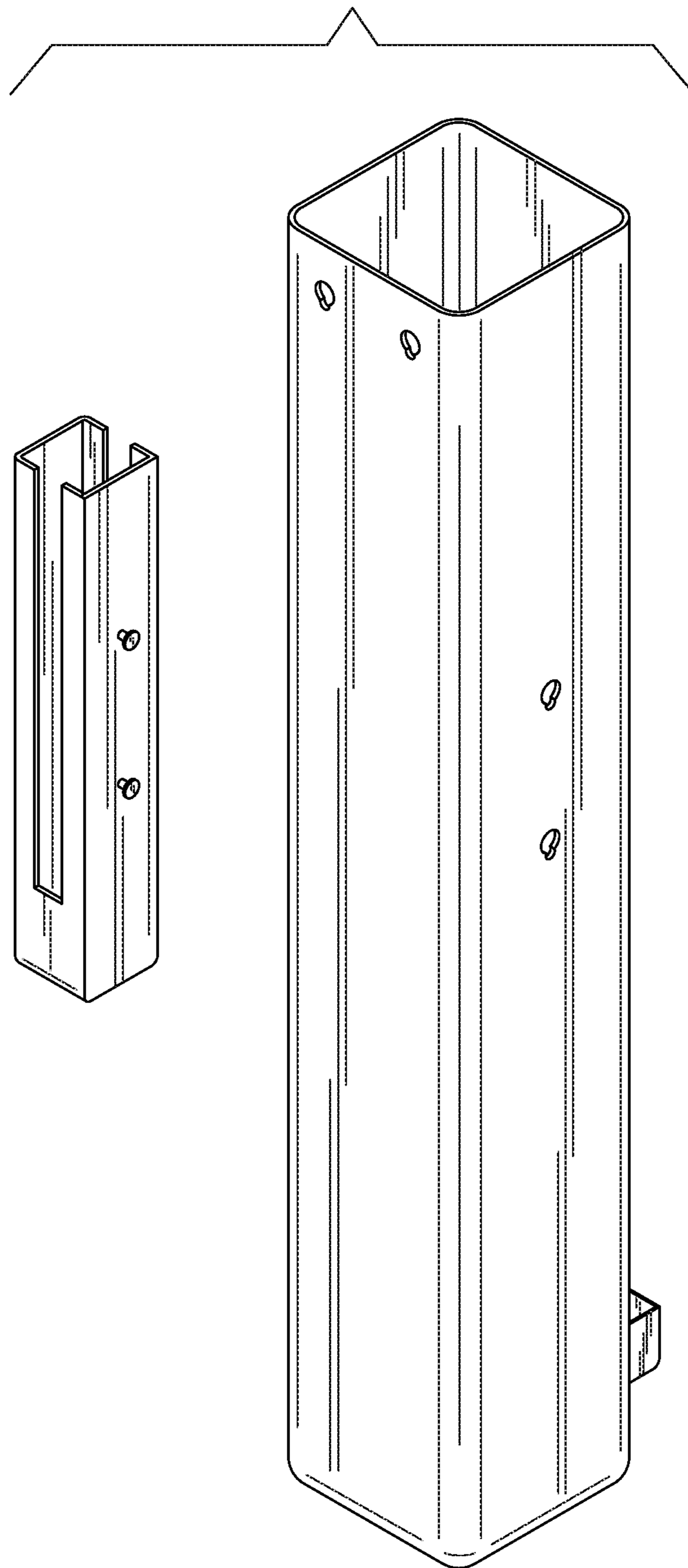


FIG. 2

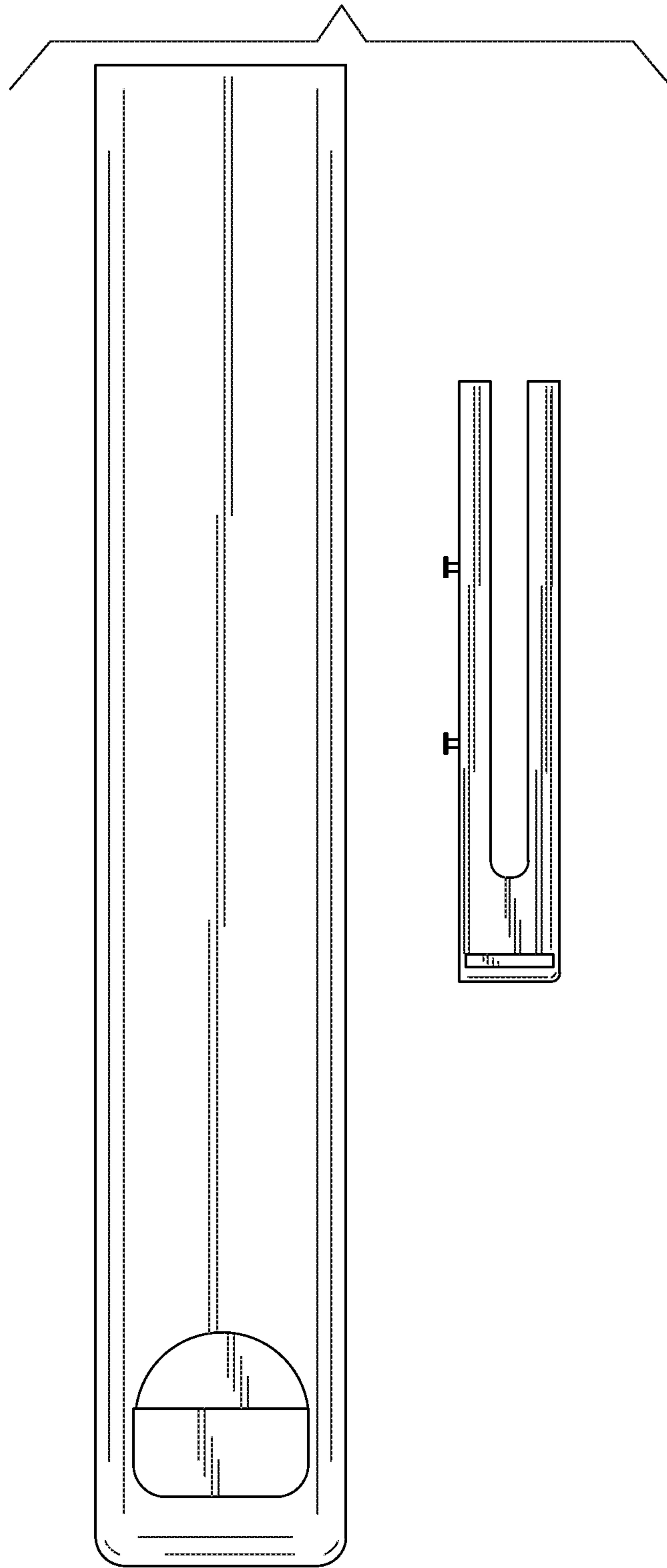


FIG. 3

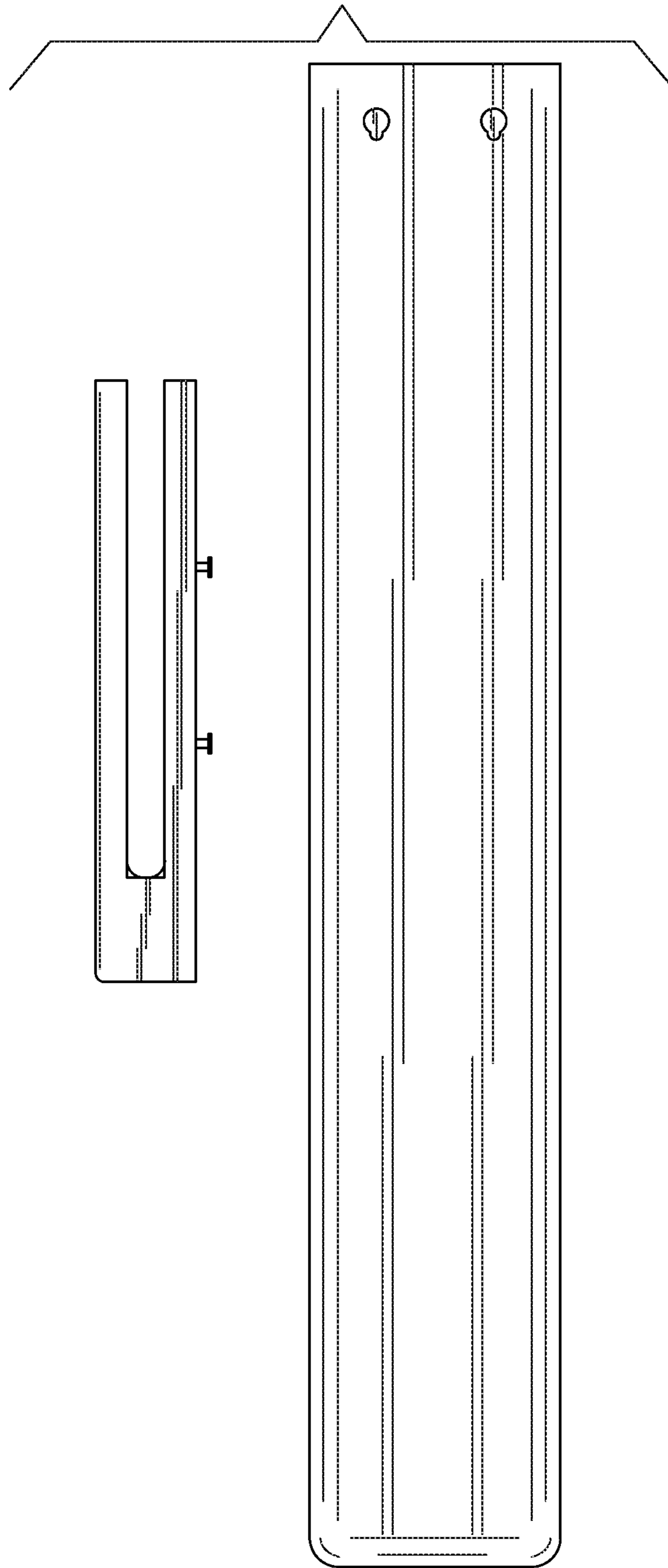


FIG. 4

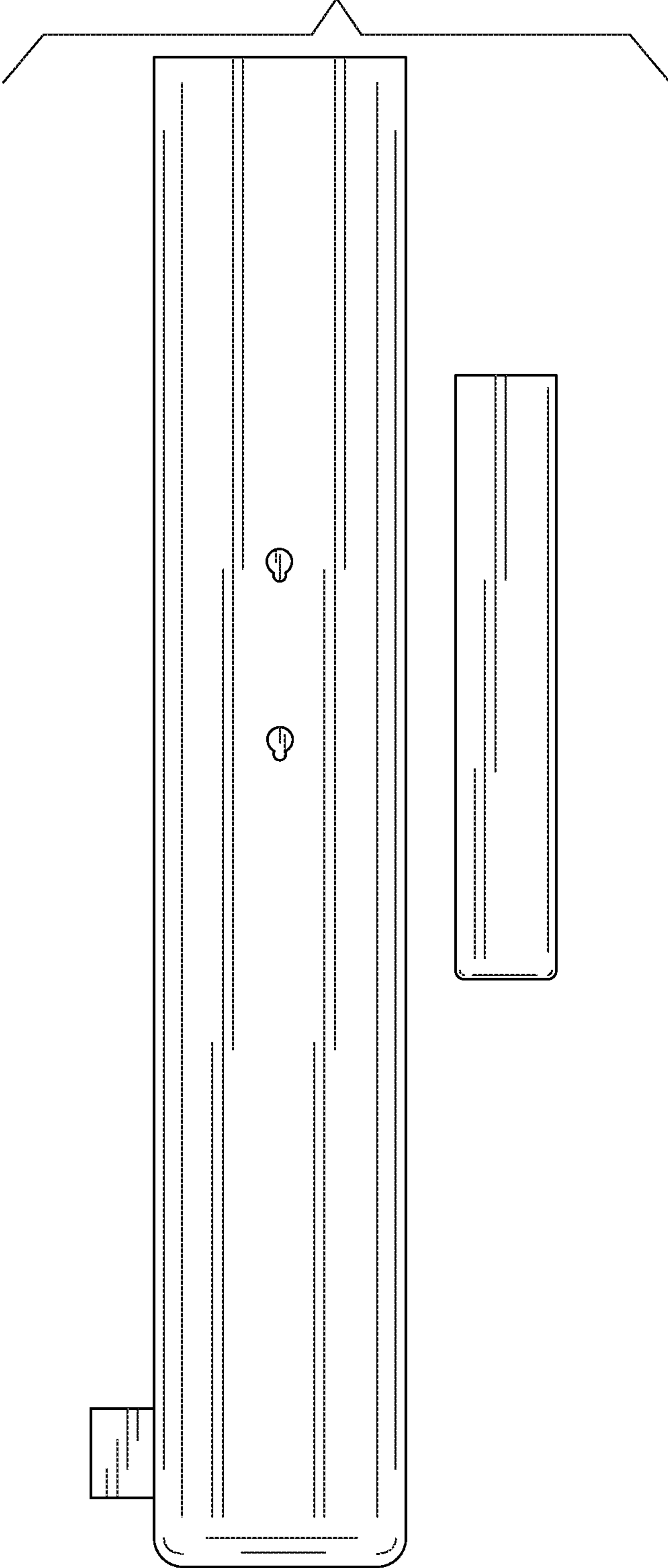


FIG. 5

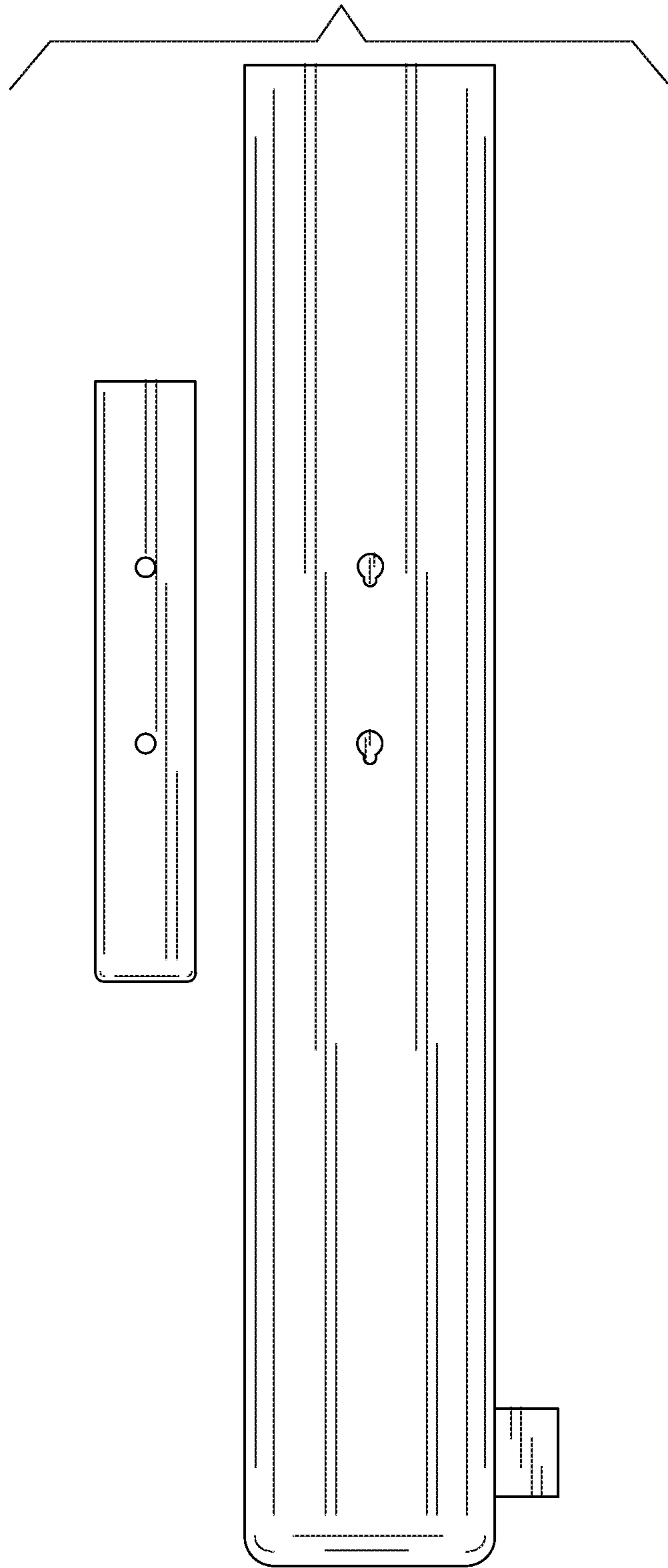


FIG. 6

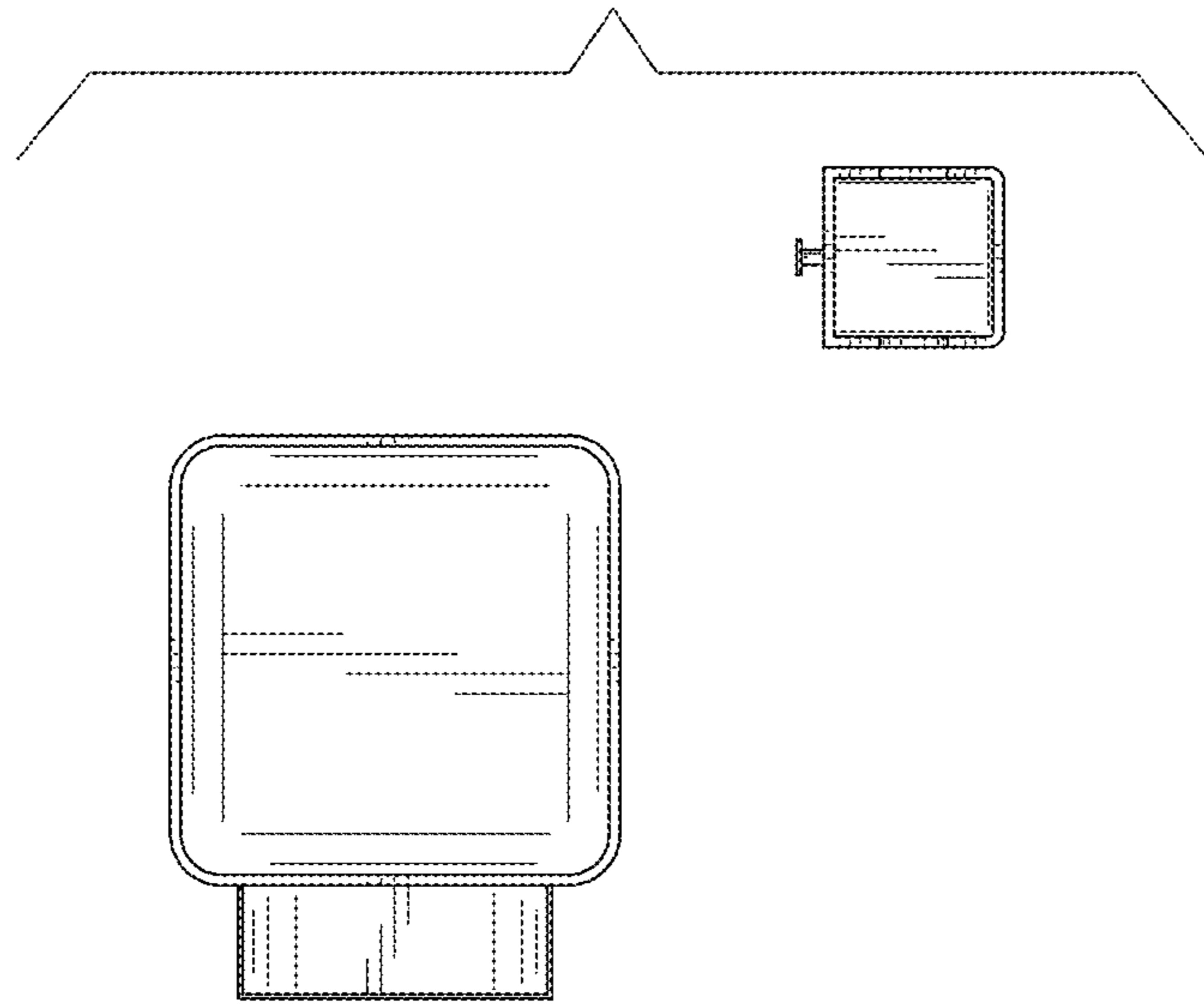


FIG. 7

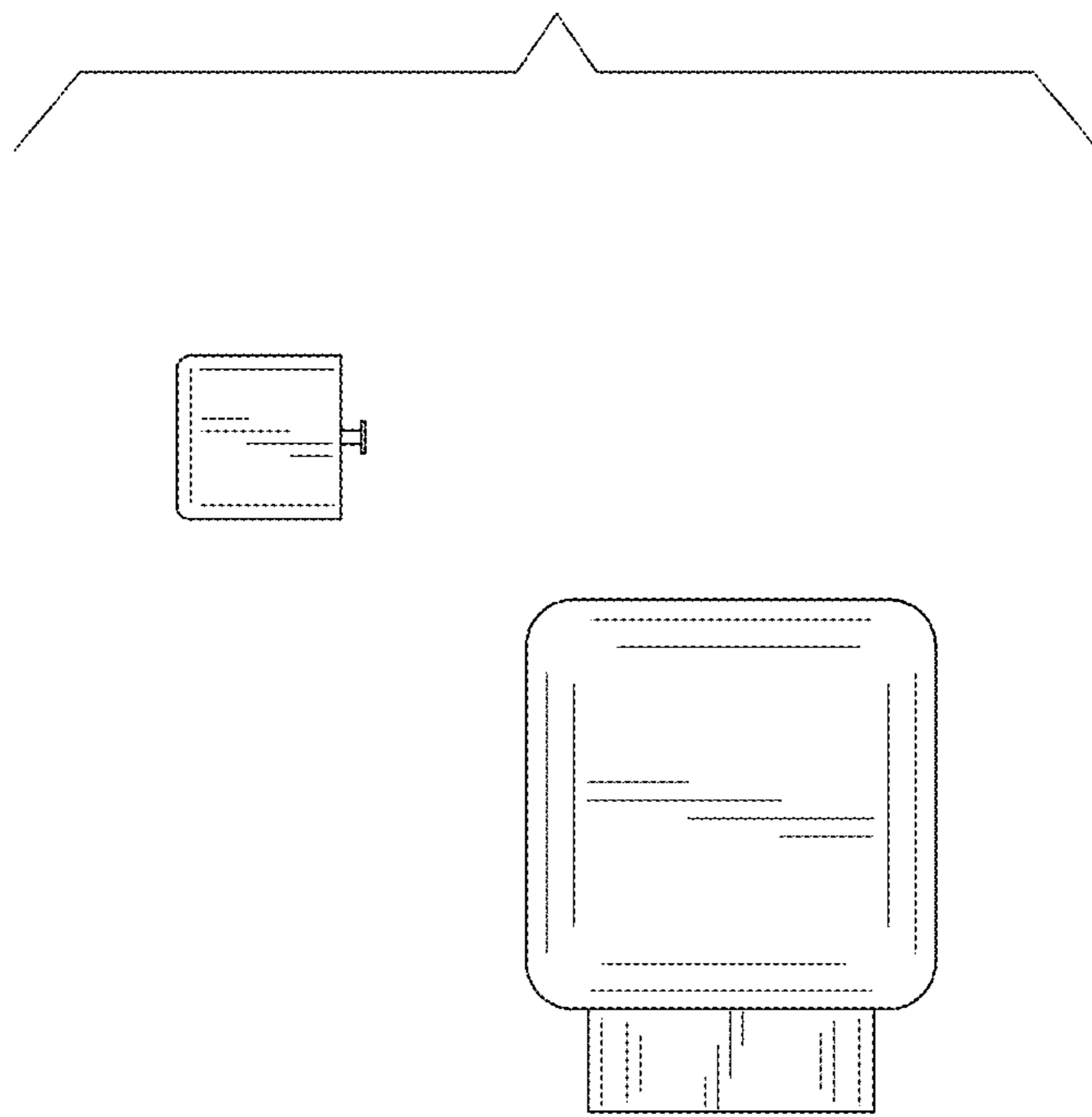


FIG. 8