



US00D889159S

(12) **United States Design Patent** (10) **Patent No.:** **US D889,159 S**  
**Zhu** (45) **Date of Patent:** **\*\* Jul. 7, 2020**

(54) **CHAIR**

(71) Applicant: **Dongguan Boyi Furniture Co., Ltd.**,  
Dongguan (CN)

(72) Inventor: **Shundong Zhu**, Dongguan (CN)

(73) Assignee: **DONGGUAN BOYI FURNITURE CO., LTD.**, Dongguan (CN)

(\*\*) Term: **15 Years**

(21) Appl. No.: **29/676,352**

(22) Filed: **Jan. 10, 2019**

(30) **Foreign Application Priority Data**

Aug. 15, 2018 (CN) ..... 2018 3 0451722

(51) **LOC (12) Cl.** ..... **06-01**

(52) **U.S. Cl.**  
USPC ..... **D6/376; D6/380**

(58) **Field of Classification Search**

CPC .. A47C 4/028; A47C 4/02; A47C 7/18; A47C 7/40; A47C 7/383; A47C 7/506; A47C 9/007; A47C 13/023; A47C 1/124; A47C 1/04; A47C 1/16; A47C 7/16; A47C 3/04; A47C 3/00; B60N 2/0715; B60N 2/22; B60N 2/48; B60N 28/449; B60N 2/4882; A47D 1/00; B29L 2031/771

See application file for complete search history.

(56) **References Cited**

**U.S. PATENT DOCUMENTS**

D513,670 S \* 1/2006 Yamagata ..... D6/379  
D515,331 S \* 2/2006 Piretti ..... D6/376  
D650,616 S \* 12/2011 Piretti ..... D6/716  
D669,278 S \* 10/2012 Kumazawa ..... D6/373  
D686,833 S \* 7/2013 Chan ..... D6/376  
D756,140 S \* 5/2016 Kumazawa ..... D6/368  
D770,823 S \* 11/2016 Kumazawa ..... D6/368

D805,338 S \* 12/2017 Nakamura ..... D6/716.4  
D830,749 S \* 10/2018 Devries ..... D6/716  
D873,579 S \* 1/2020 Kumazawa ..... D6/380  
2005/0264060 A1 \* 12/2005 Cesaroni ..... A47C 3/045  
297/239

(Continued)

**FOREIGN PATENT DOCUMENTS**

CN 303252889 \* 2/2015  
CN 304890218 \* 4/2018

(Continued)

**OTHER PUBLICATIONS**

Clatina, Clatina Mesh Guest Reception Stack Chairs with Caster Wheels and Arms for Office School Church Conference Waiting Room Black, Date first available Nov. 12, 2019 [online]retrieved Apr. 2, 2020, available from internet, www.amazon.com (Year: 2019).\*

(Continued)

*Primary Examiner* — Keli L Hill

*Assistant Examiner* — Sara S Sahneh

(74) *Attorney, Agent, or Firm* — Shimokaji IP

(57) **CLAIM**

The ornamental design for a chair, as shown and described.

**DESCRIPTION**

FIG. 1 is a front elevation view of a chair showing my design;

FIG. 2 is a rear elevational view thereof;

FIG. 3 is a left side elevational view thereof;

FIG. 4 is a right side elevational view thereof;

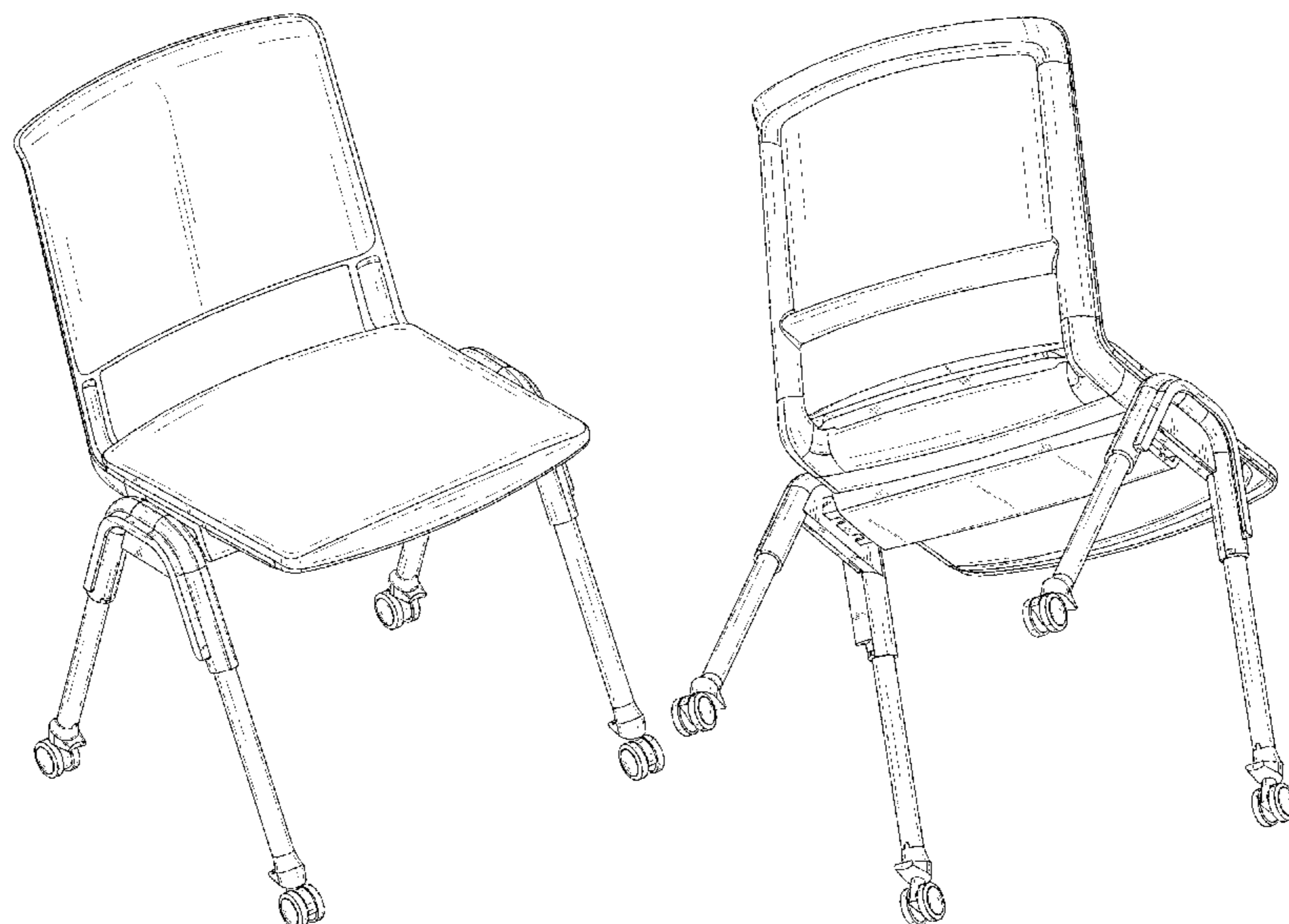
FIG. 5 is a top plan view thereof;

FIG. 6 is a bottom plan view thereof;

FIG. 7 is a perspective view thereof; and,

FIG. 8 is another perspective view thereof.

**1 Claim, 8 Drawing Sheets**



(56)

**References Cited**

U.S. PATENT DOCUMENTS

2018/0271291 A1\* 9/2018 Toland ..... A47C 3/04

FOREIGN PATENT DOCUMENTS

GB	2096021	*	9/2000
JP	D1290325	*	10/2005
JP	D1513458	*	12/2013

OTHER PUBLICATIONS

Mayline Thesis Fixed Back Training Chairs, Set of 2, Date first available Mar. 31, 2016, [online]retrieved Apr. 7, 2020, available from internet, [www.amazon.com](http://www.amazon.com) (Year: 2016).\*

\* cited by examiner

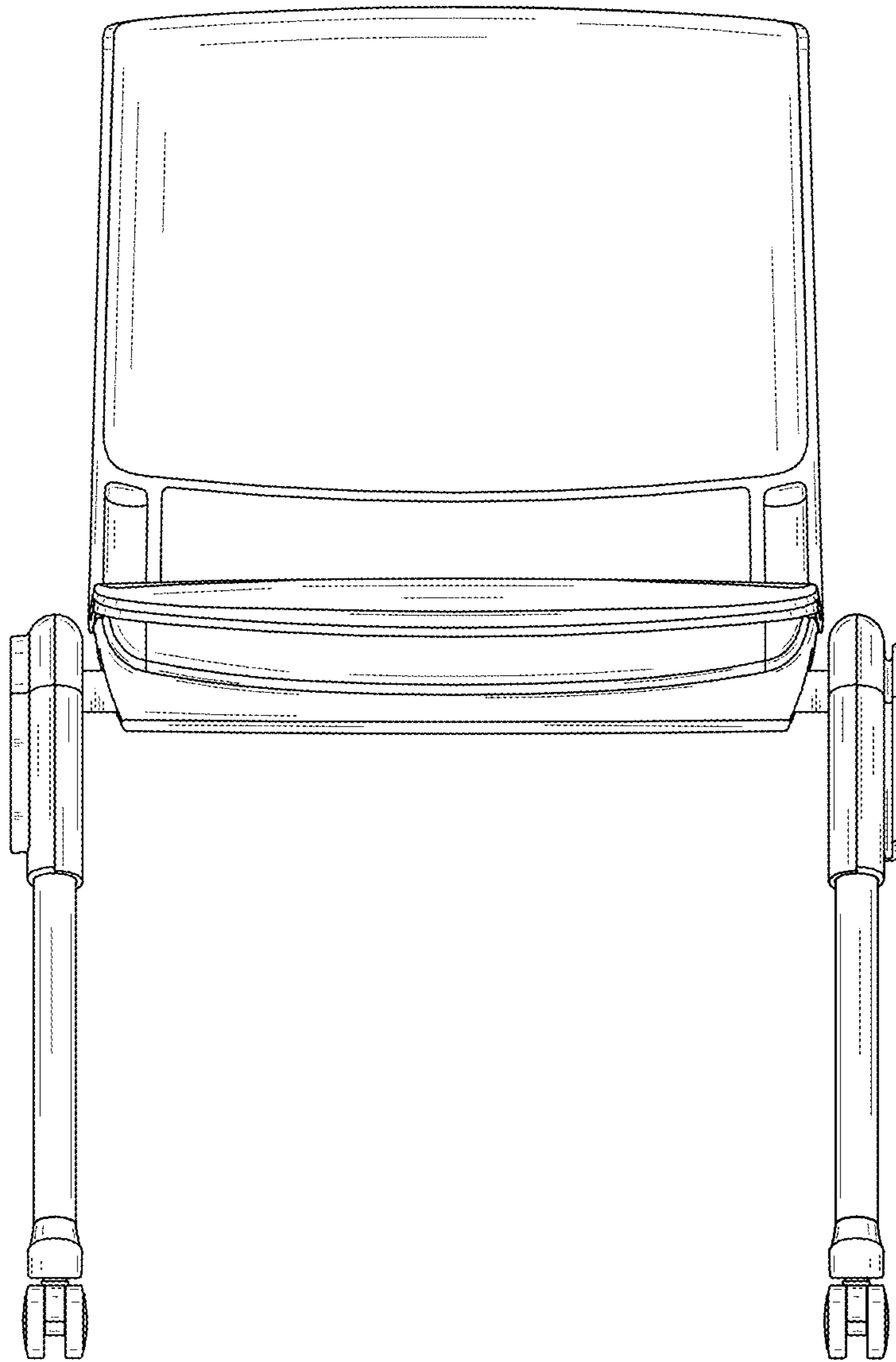


FIG.1

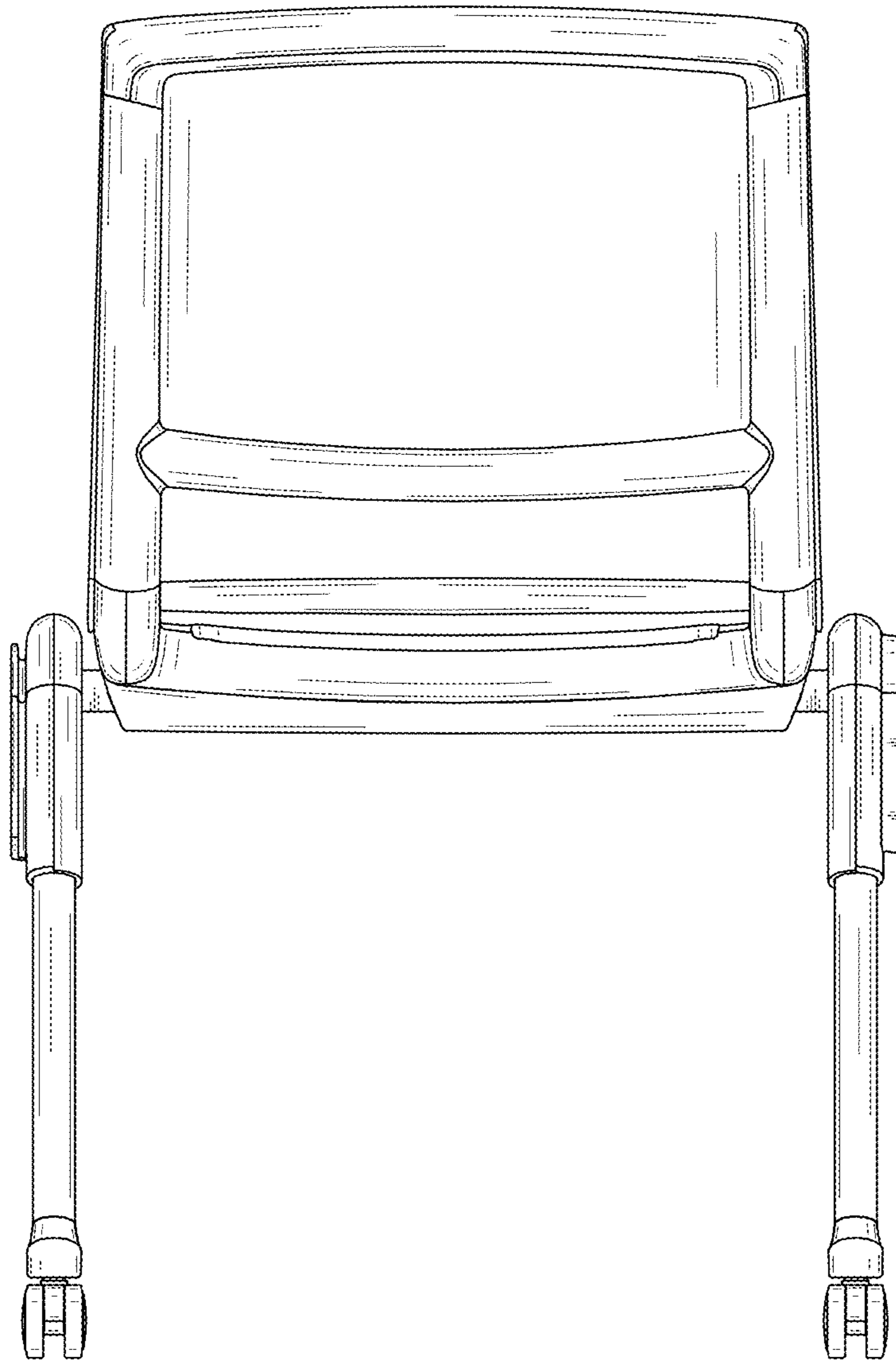


FIG.2

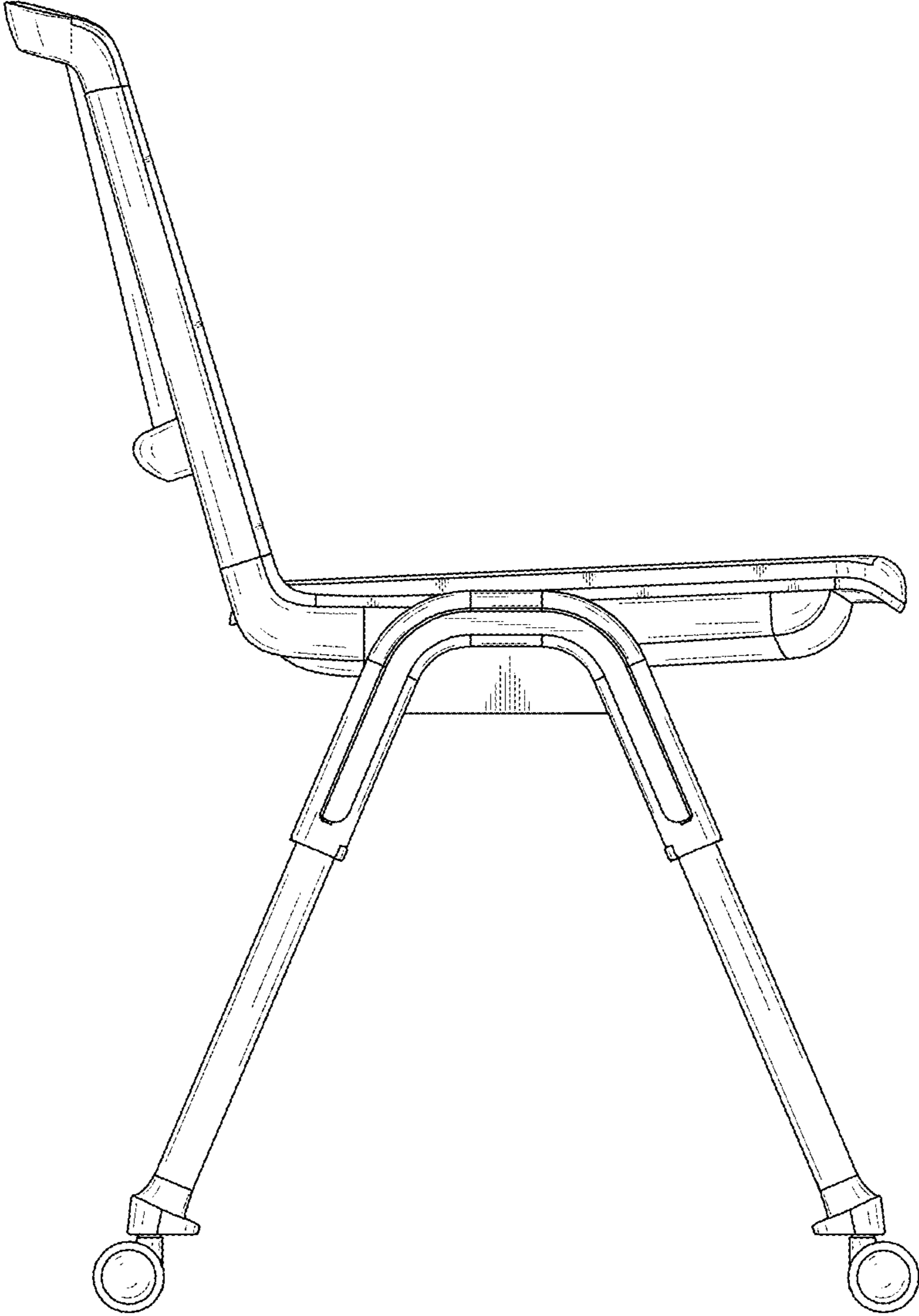


FIG.3

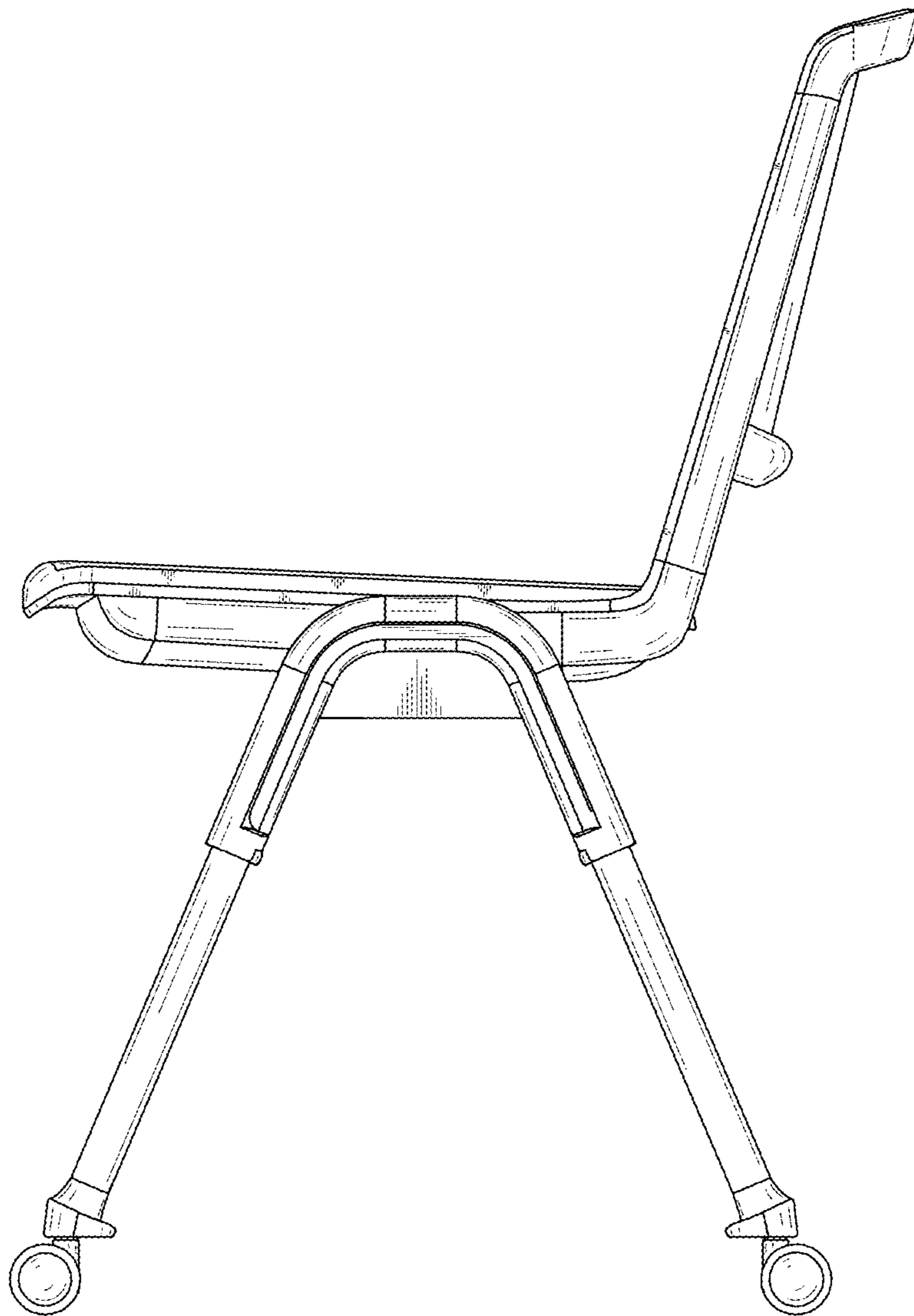


FIG.4

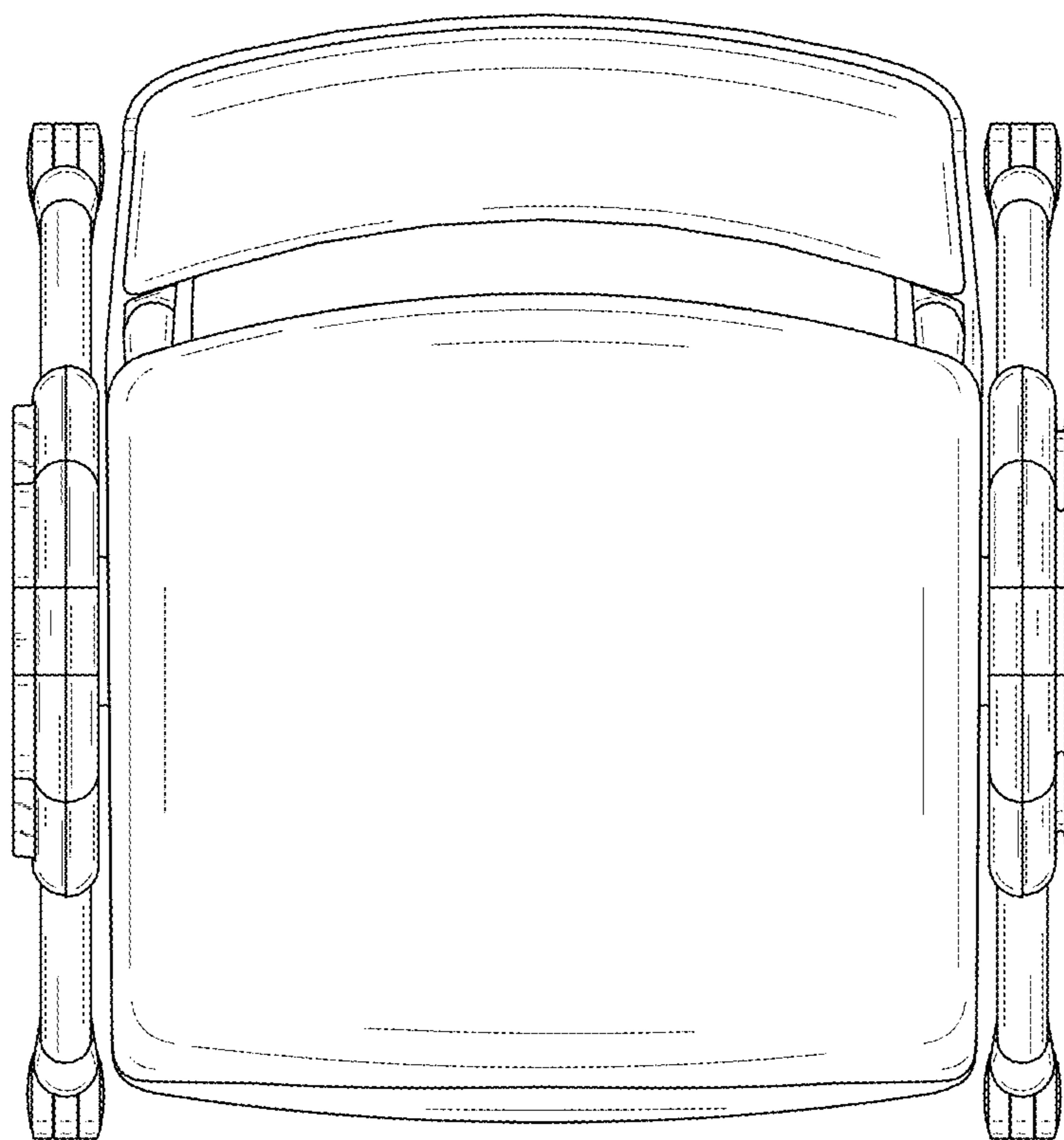


FIG.5

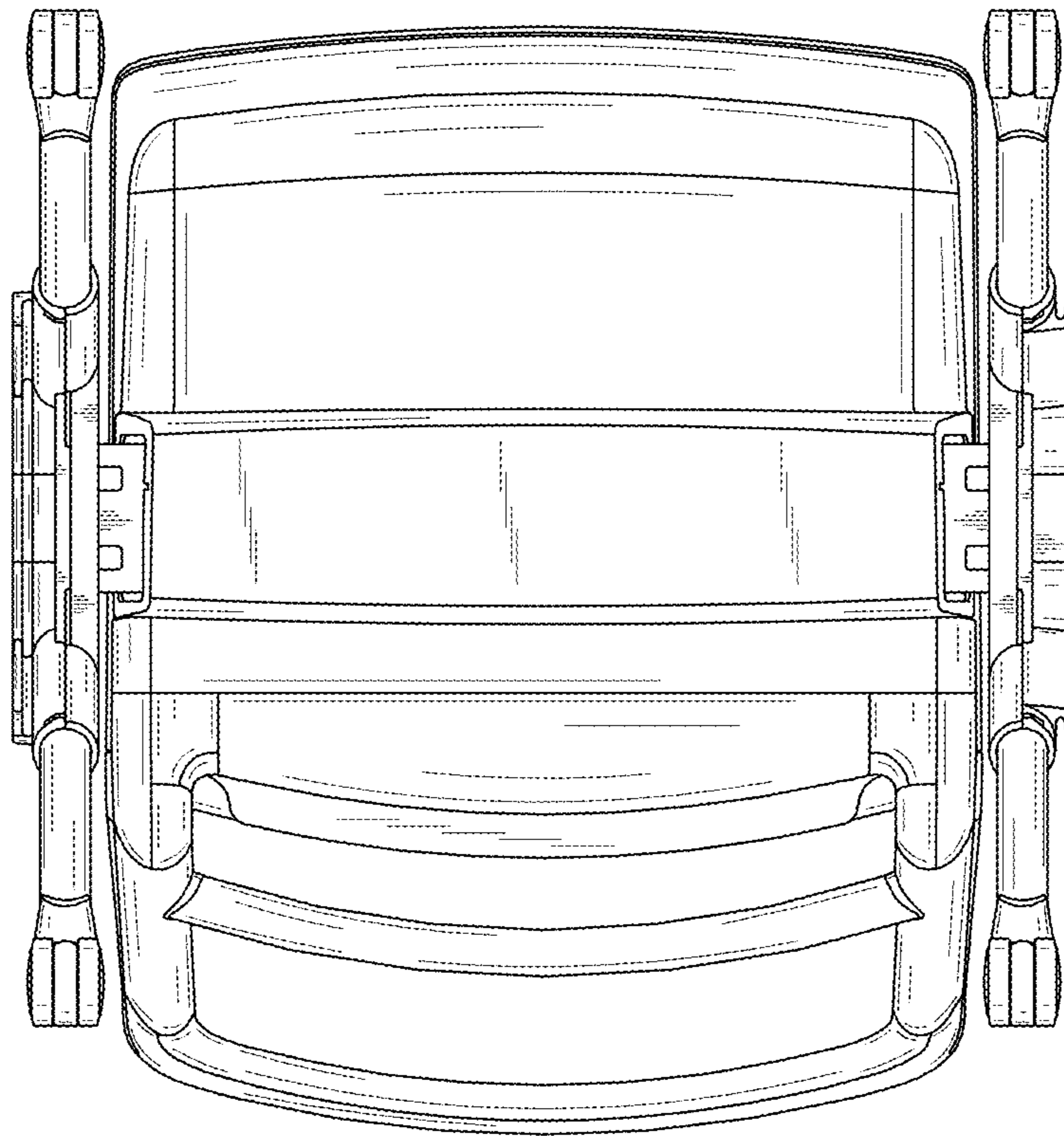


FIG.6



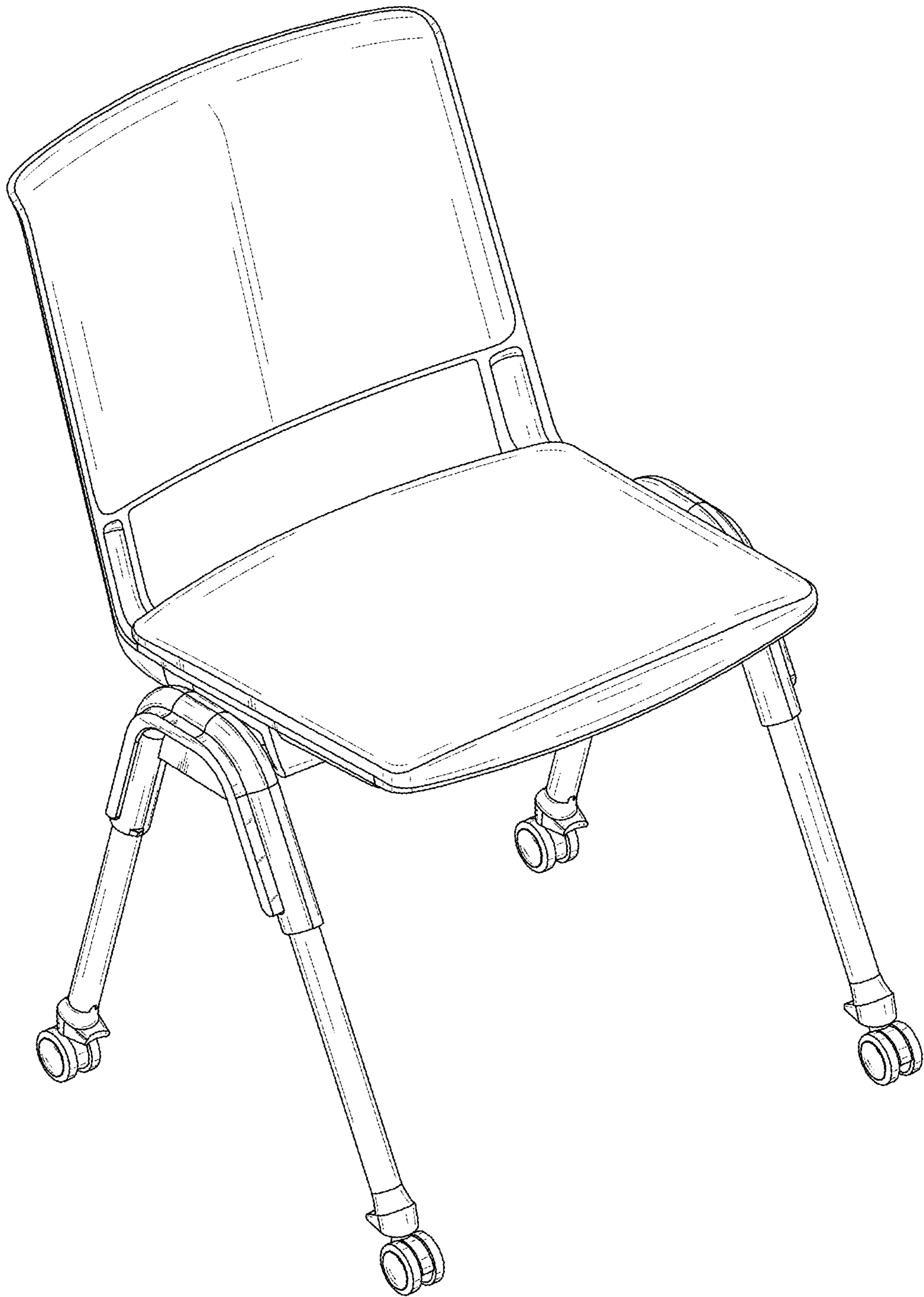


FIG. 7

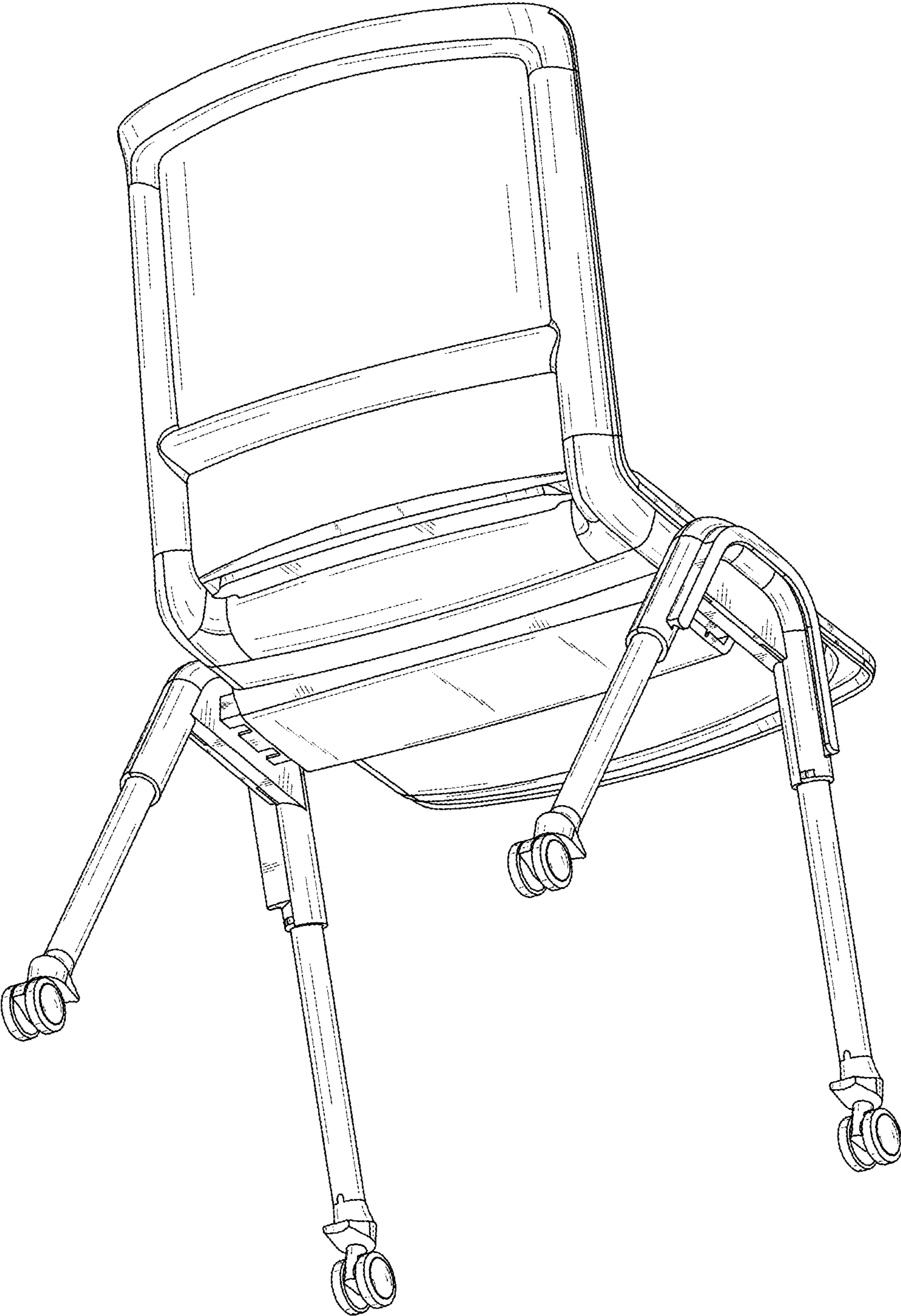


FIG. 8