



US00D889158S

(12) **United States Design Patent**
Nishii

(10) **Patent No.:** **US D889,158 S**

(45) **Date of Patent:** **** Jul. 7, 2020**

(54) **CHAIR**

(71) Applicant: **Nishii Mokka Ltd.**, Osaka (JP)

(72) Inventor: **Shigeo Nishii**, Osaka (JP)

(73) Assignee: **Nishii Mokka Ltd.**, Osaka (JP)

(**) Term: **15 Years**

(21) Appl. No.: **29/676,044**

(22) Filed: **Jan. 8, 2019**

(30) **Foreign Application Priority Data**

Jul. 10, 2018 (JP) 2018-015215

(51) **LOC (12) Cl.** **06-01**

(52) **U.S. Cl.**
USPC **D6/376**

(58) **Field of Classification Search**

USPC D6/366, 367, 368, 369, 716.7, 708.16,
D6/708.23, 372, 334, 361, 364, 375, 716,
D6/376, 360, 373, 348, 379, 358, 716.4,
D6/707.16, 362, 339, 329, 374, 342, 330,
D6/332, 320, 315, 380

CPC .. A47C 4/028; A47C 4/02; A47C 7/18; A47C
7/40; A47C 7/383; A47C 7/506; A47C
9/007; A47C 13/023; A47C 1/124; A47C
1/04; A47C 1/16; A47C 7/16; A47C 3/04;
A47C 3/00; B60N 2/0715; B60N 2/22;
B60N 2/48; B60N 2/449; B60N 2/4882;
A47D 1/00; B29L 2031/771

See application file for complete search history.

(56) **References Cited**

U.S. PATENT DOCUMENTS

398,943 A * 3/1889 Crandall A47C 4/286
297/45
1,142,006 A * 6/1915 Barber A47C 5/04
297/449.1

1,942,112 A * 1/1934 McQuilkin A47C 4/286
297/45
D126,593 S * 4/1941 Rohde D6/708.16
D149,038 S * 3/1948 Barber D6/366
D190,120 S * 4/1961 Paulson D6/380
D190,121 S * 4/1961 Paulson D6/380
3,635,520 A * 1/1972 Roher A47C 4/286
297/45
D430,976 S * 9/2000 Tow D6/368
D565,856 S * 4/2008 Kimmel D6/368
8,459,741 B2 * 6/2013 Mazzola A47C 3/34
297/16.2
D794,972 S * 8/2017 Bettin D6/374

FOREIGN PATENT DOCUMENTS

CN 301755917 * 5/2011

* cited by examiner

Primary Examiner — Keli L Hill

Assistant Examiner — Sara S Sahneh

(74) *Attorney, Agent, or Firm* — Maier & Maier, PLLC

(57) **CLAIM**

The ornamental design for a chair, as shown and described.

DESCRIPTION

FIG. 1 is a front view of a chair showing my design;
FIG. 2 is a rear view thereof;
FIG. 3 is a top view thereof;
FIG. 4 is a bottom view thereof;
FIG. 5 is a right side view thereof, the left side view being
a mirror image thereof;
FIG. 6 is a top perspective view thereof; and,
FIG. 7 is a bottom perspective view thereof.

1 Claim, 7 Drawing Sheets

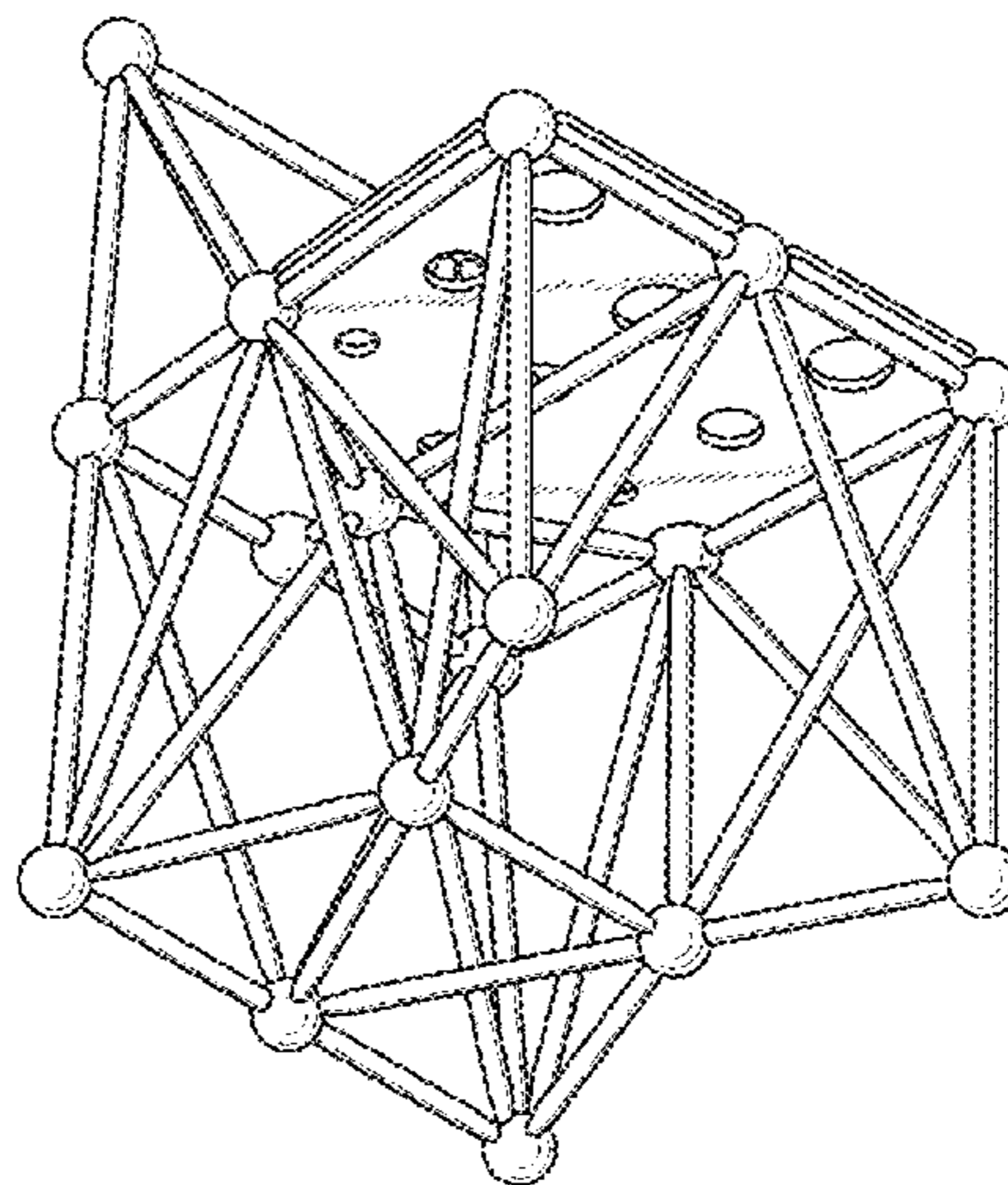
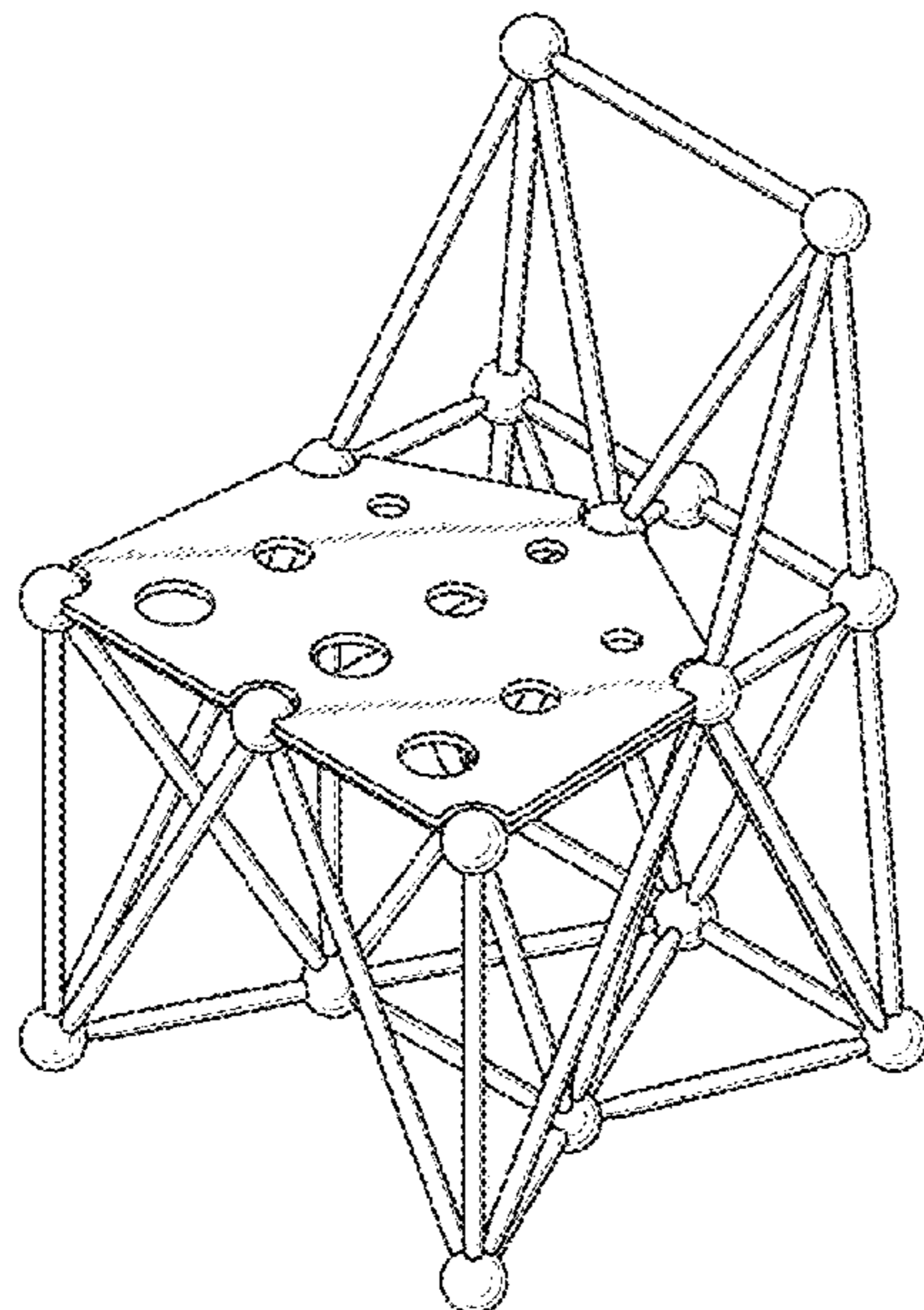


Fig. 1

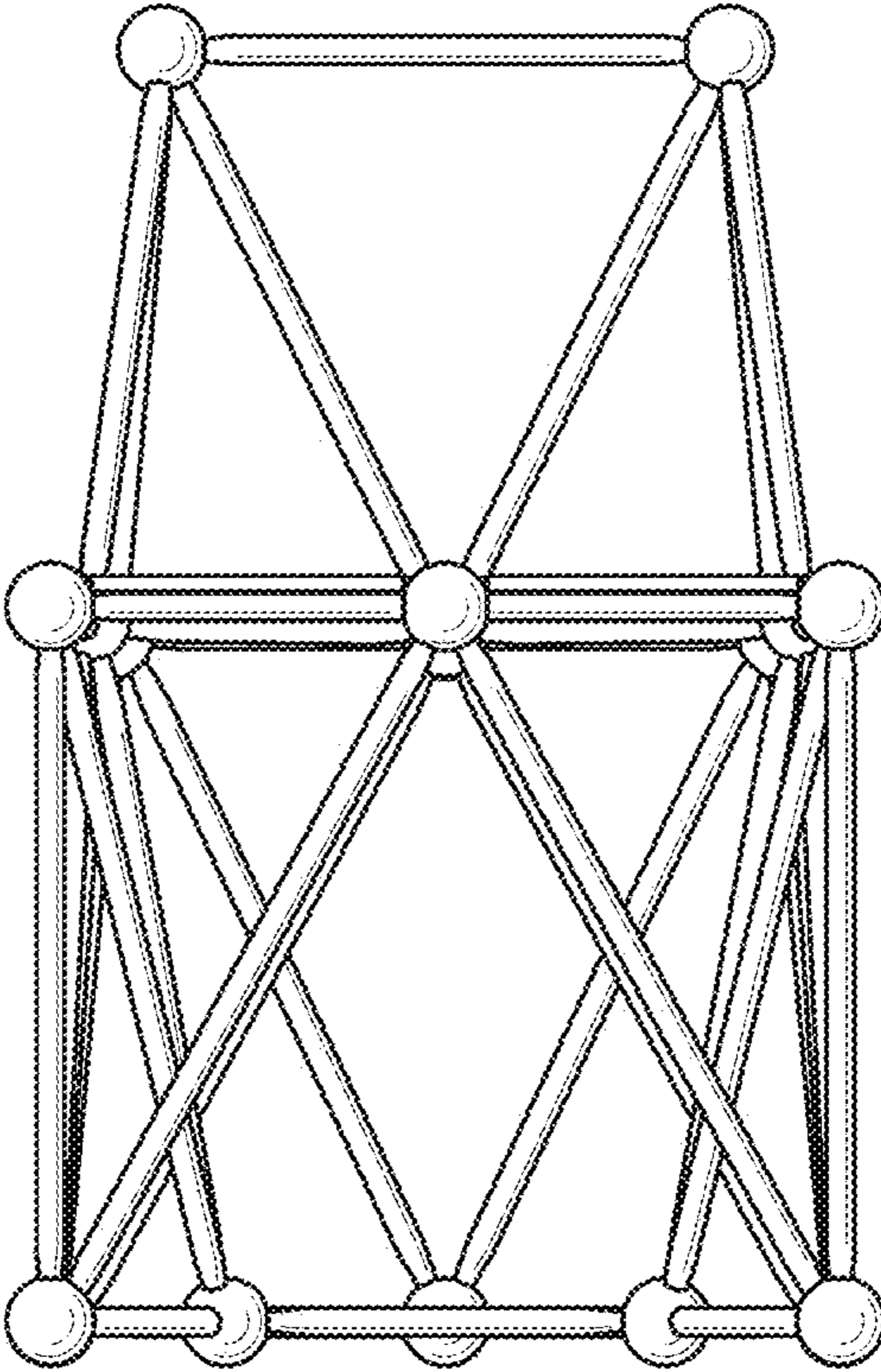


Fig. 2

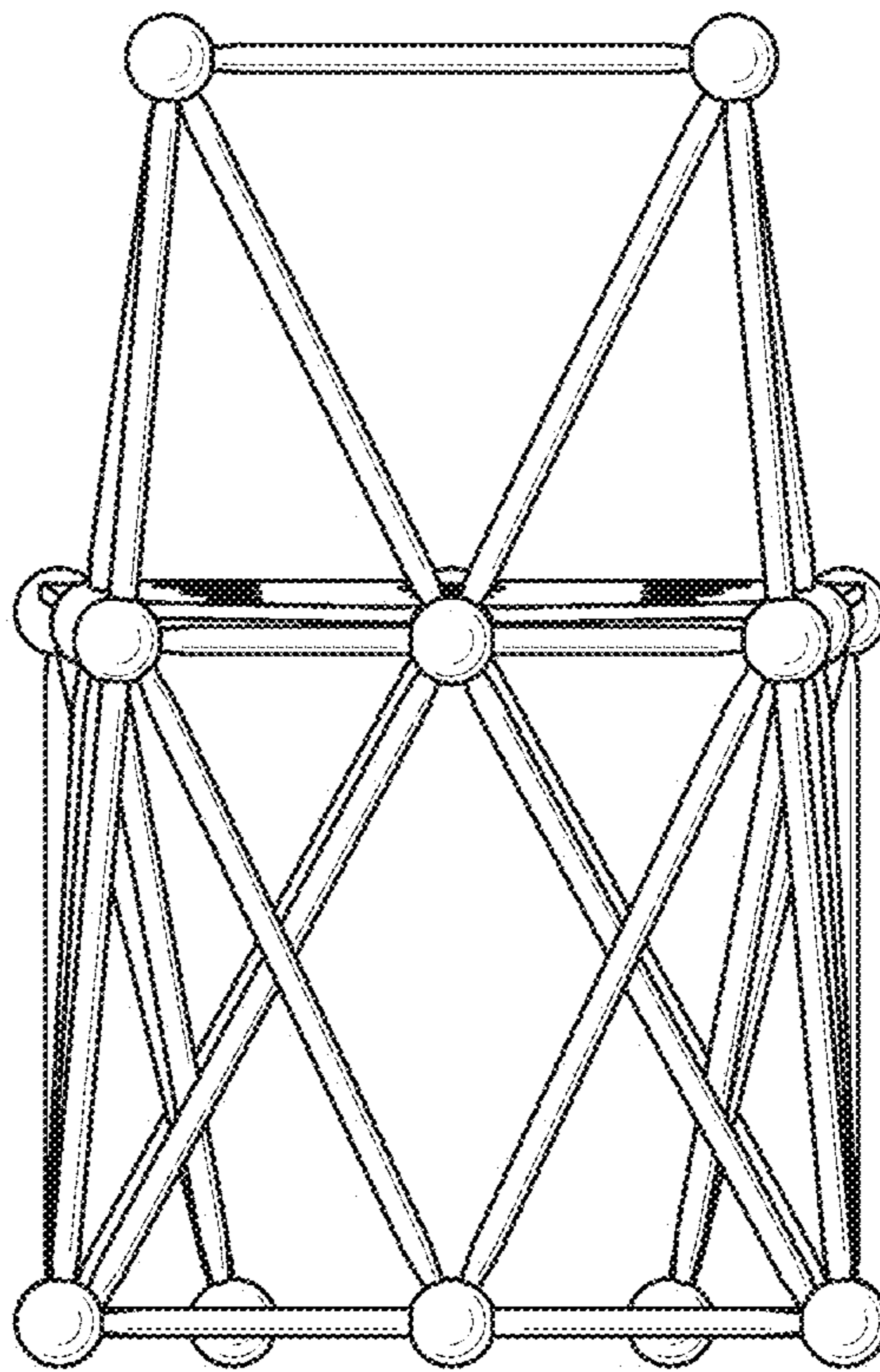


Fig. 3

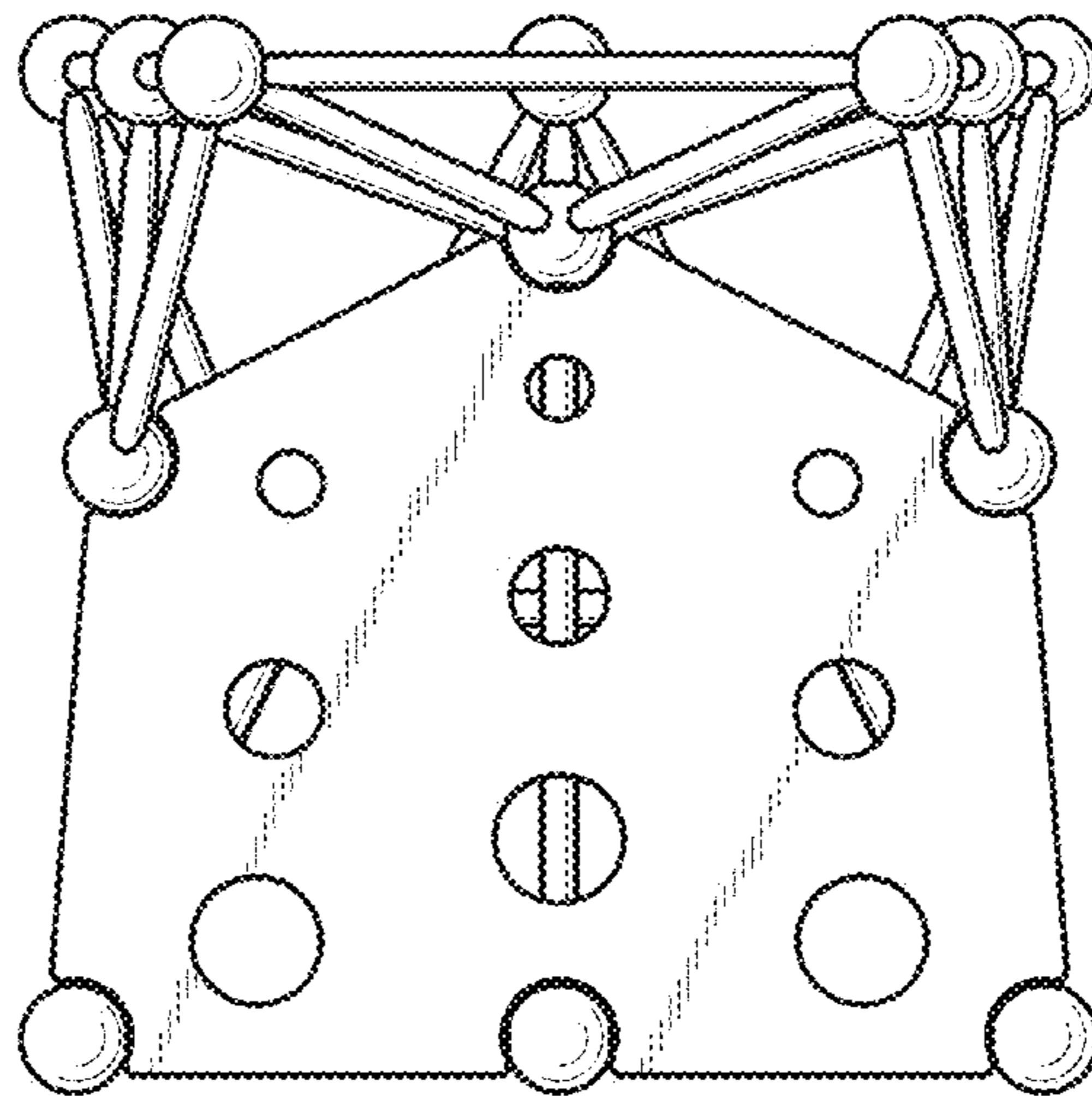


Fig. 4

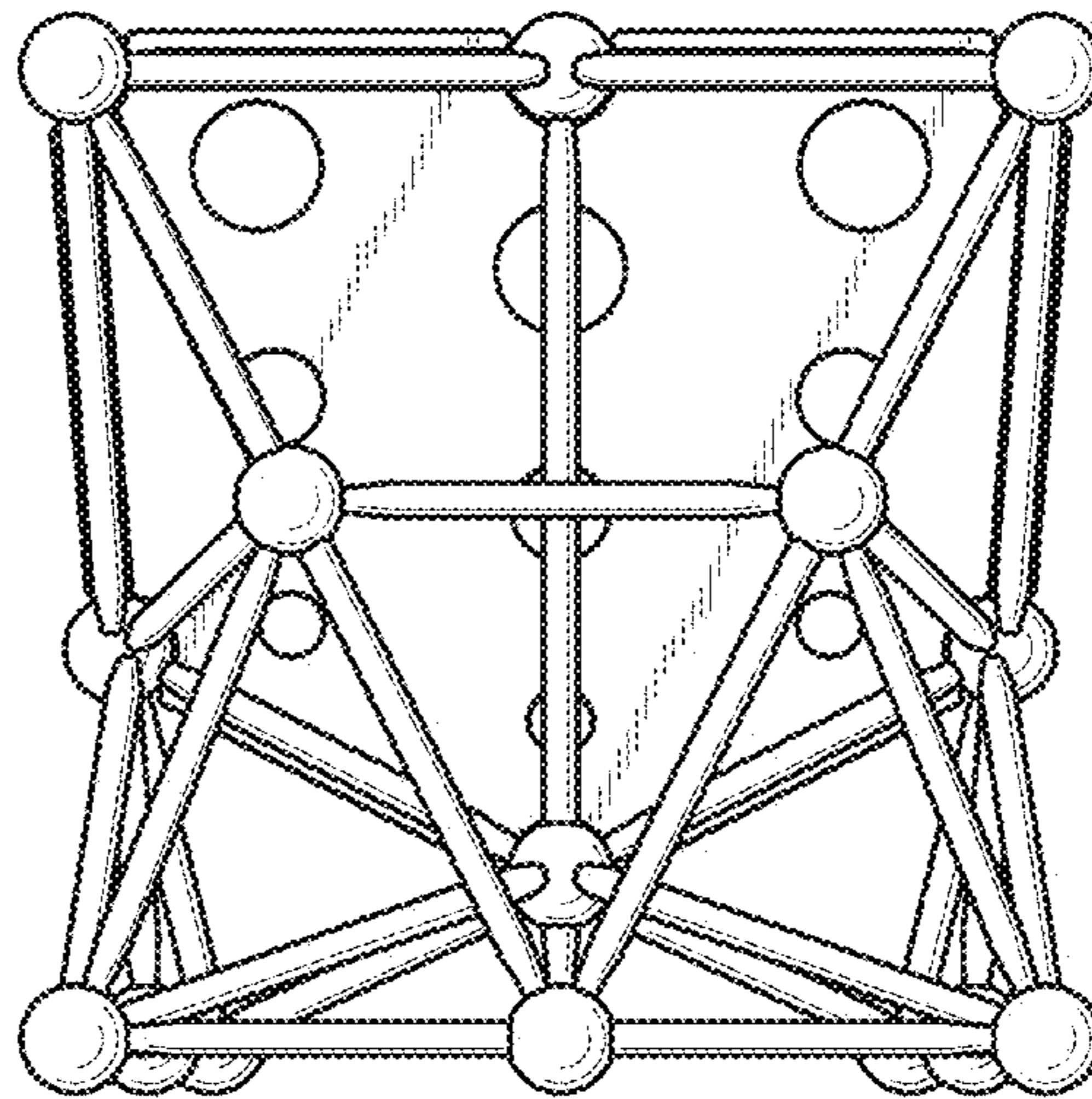


Fig. 5

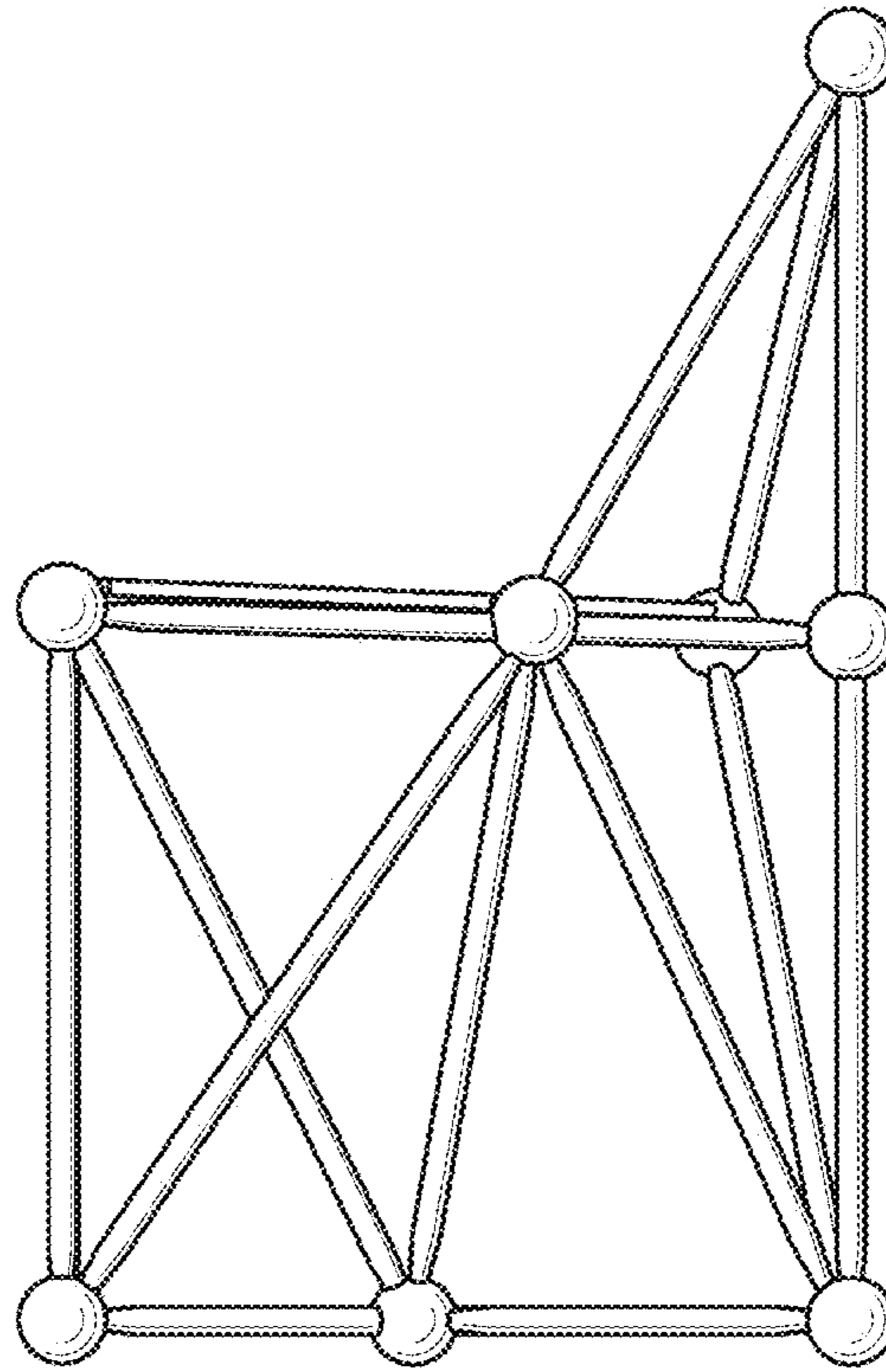


Fig. 6

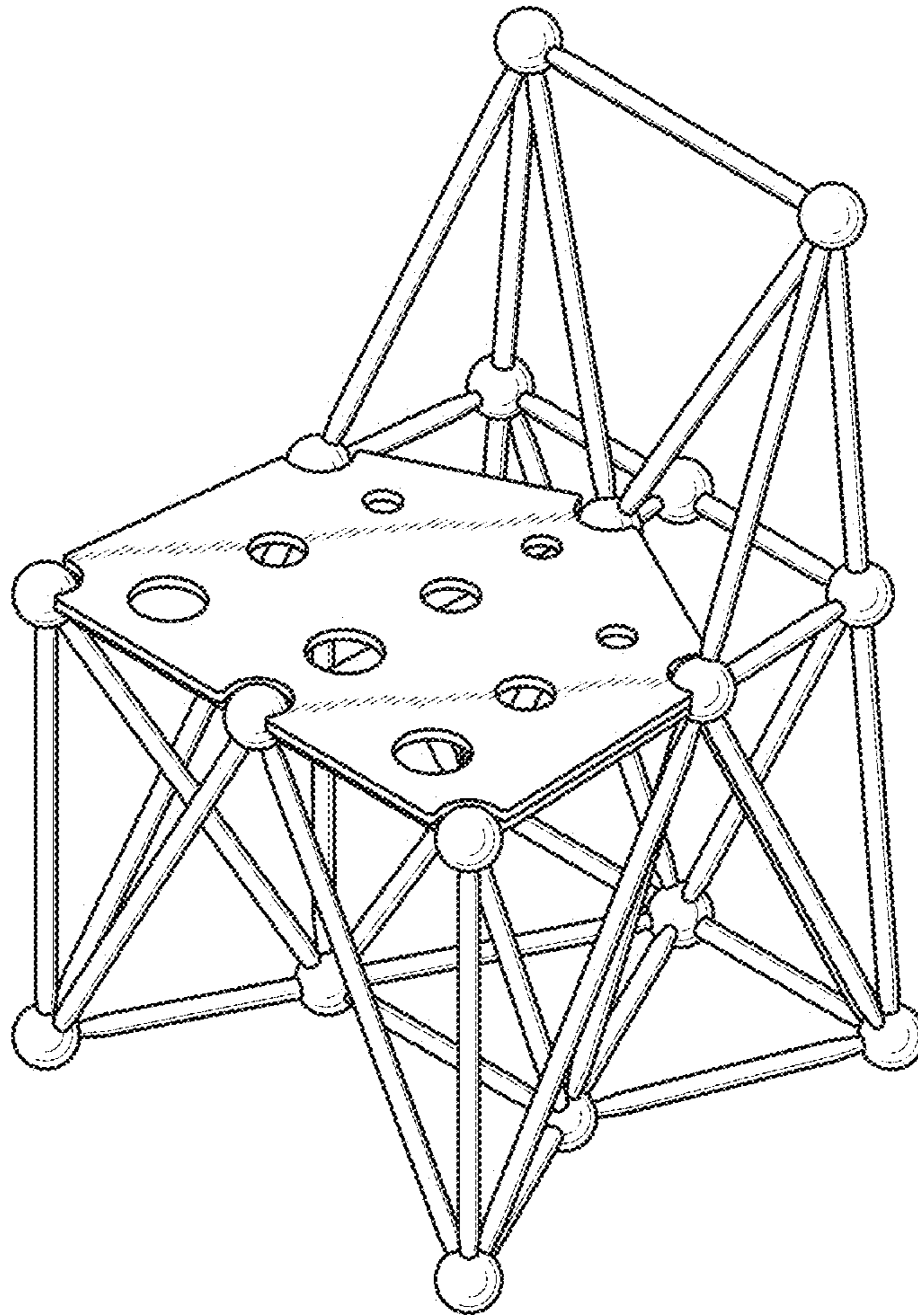


Fig. 7

