



US00D889154S

(12) **United States Design Patent** (10) **Patent No.:** **US D889,154 S**
Lin (45) **Date of Patent:** **** Jul. 7, 2020**

(54) **SEAT AND BACK CUSHIONS FOR A CHAIR** 8,371,645 B2 * 2/2013 Lin A47C 4/04
297/23
(71) Applicant: **SPEC SEATS TECHNOLOGIES** D686,007 S * 7/2013 Johnson D6/368
INC., Taoyuan (TW) 8,684,452 B2 * 4/2014 Lin A47C 7/50
297/423.1
(72) Inventor: **Mei Chuen Lin, Taoyuan (TW)** D733,448 S * 7/2015 Lin D6/368
D738,127 S * 9/2015 Nishida D6/356
9,648,963 B2 * 5/2017 Johnston A47D 15/00
(73) Assignee: **SPEC SEATS TECHNOLOGIES** D849,436 S * 5/2019 Zhu D6/368
INC., Taoyuan (TW) 2009/0007337 A1 * 1/2009 Mese A47D 13/06
5/655
2009/0096256 A1 * 4/2009 Kikuchi B60R 11/0264
297/180.1

(**) Term: **15 Years**
(21) Appl. No.: **29/672,240**
(22) Filed: **Dec. 4, 2018**
(51) **LOC (12) Cl.** **06-01**
(52) **U.S. Cl.**
USPC **D6/368**
(58) **Field of Classification Search**
USPC D6/348, 356, 368
CPC A47C 3/00; A47C 4/00; A47C 4/04; A47C
4/06; A47C 4/24; A47C 7/02; A47C 7/18;
A47C 7/34; A47C 7/35; A47C 7/40;
A47C 7/50; A47C 7/74; A47C 7/345;
A47C 9/007; A47D 13/06; A47D 15/003;
A47D 15/008; A61N 2/02; B60N 2/70;
B60N 2/7047; B60N 2/7094; B60N
2/686; B60N 2/68; B60N 2/646; B60N
2/3011; B60N 2/986; B60N 2/5657;
B60R 11/0264
See application file for complete search history.

(56) **References Cited**
U.S. PATENT DOCUMENTS
D184,050 S * 12/1958 Gingerich et al. D6/348
D496,534 S * 9/2004 Pfeiffer D6/356
7,108,330 B2 * 9/2006 Mizelle A47C 4/06
297/218.1
7,338,116 B1 * 3/2008 Lin A47C 4/24
297/452.14
D569,119 S * 5/2008 Lin D6/368

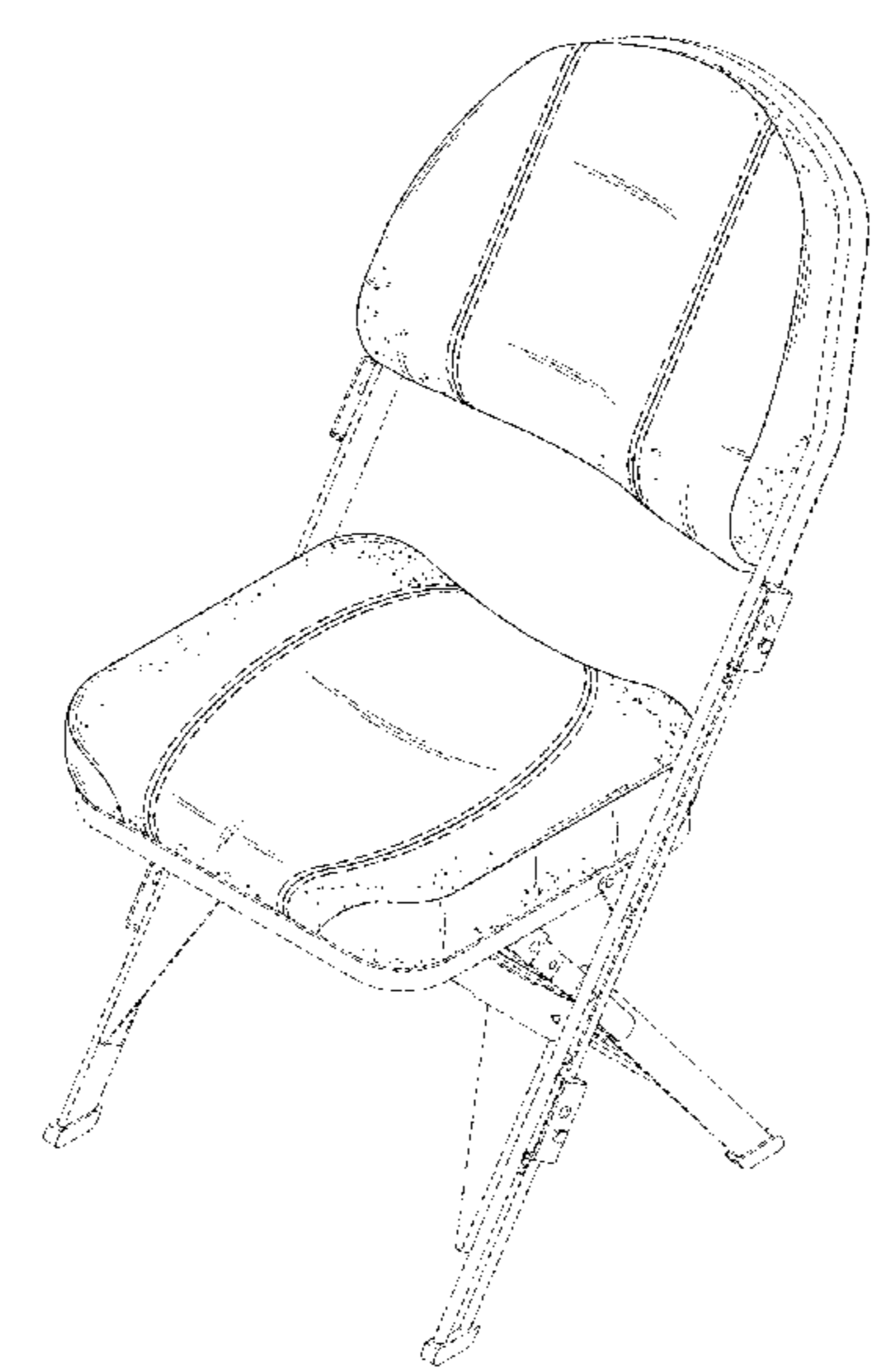
(Continued)

Primary Examiner — Kevin K Rudzinski
Assistant Examiner — Paul D Bohannon
(74) Attorney, Agent, or Firm — Lin & Associates
Intellectual Property, Inc.

(57) **CLAIM**
The ornamental design for seat and back cushions for a
chair, as shown and described.

DESCRIPTION
FIG. 1 is a perspective view of seat and back cushions for
a chair showing my new design;
FIG. 2 is a front elevational view thereof;
FIG. 3 is a rear elevational view thereof;
FIG. 4 is a left elevational view thereof;
FIG. 5 is a right elevational view thereof;
FIG. 6 is a top view thereof; and,
FIG. 7 is a bottom view thereof.
In the drawings, the thick dotted lines on a surface of the seat
and back cushions are sewing threads. The solid line
between the two adjacent thick broken lines is a connecting
line on the surface of the seat and back cushions. Both are
parts of the present design.
The thin dotted lines outside the seat and back cushions,
which depict the support frames of the chair, are not part of
the present design.

1 Claim, 7 Drawing Sheets



(56)

References Cited

U.S. PATENT DOCUMENTS

2012/0235458 A1* 9/2012 Andersson B60N 2/3011
297/378.1
2013/0317280 A1* 11/2013 Cheng A61N 2/02
600/13
2016/0144756 A1* 5/2016 Ito B60N 2/7047
297/452.49
2019/0375320 A1* 12/2019 Ohtsu B60N 2/70

* cited by examiner

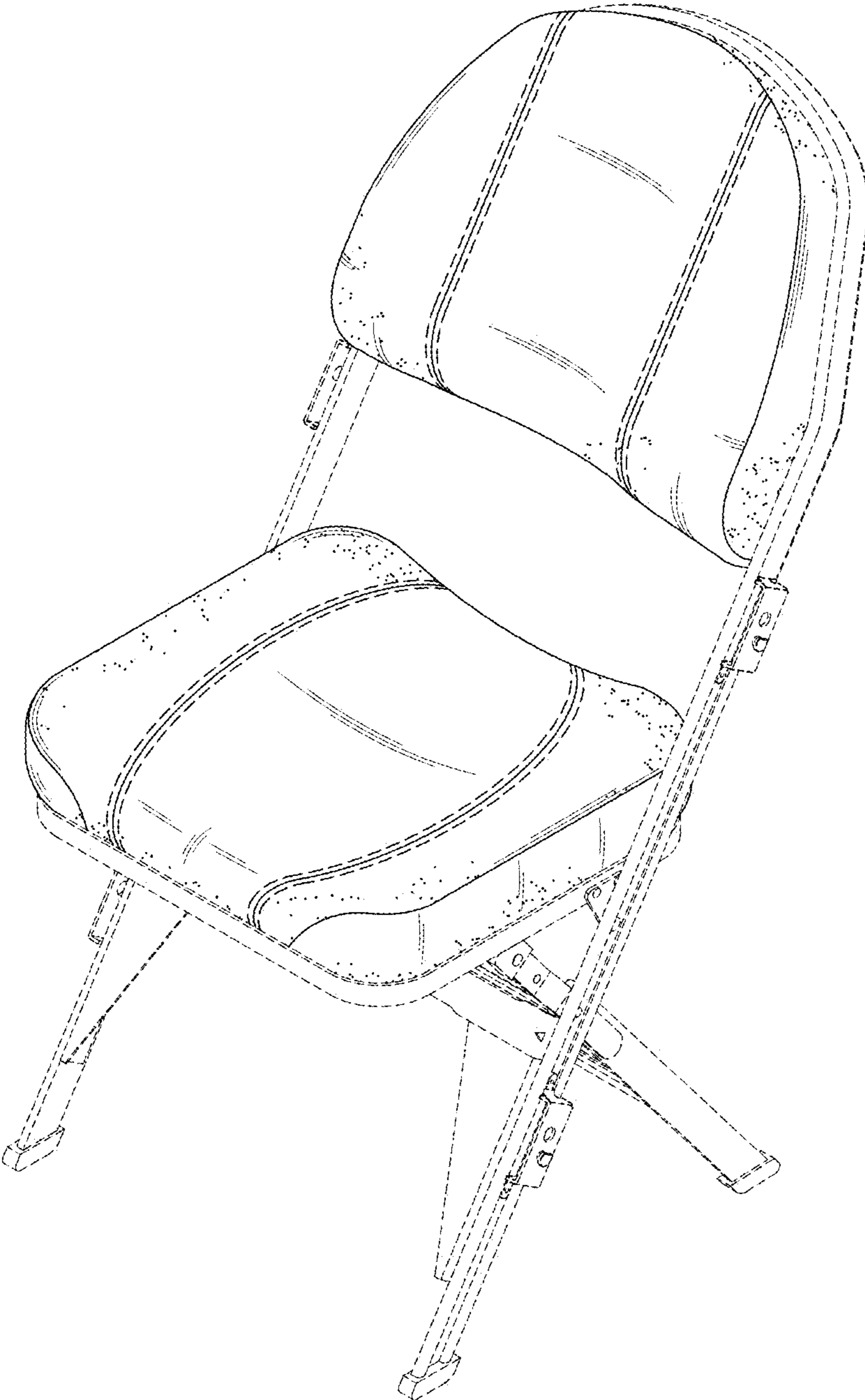


FIG. 1

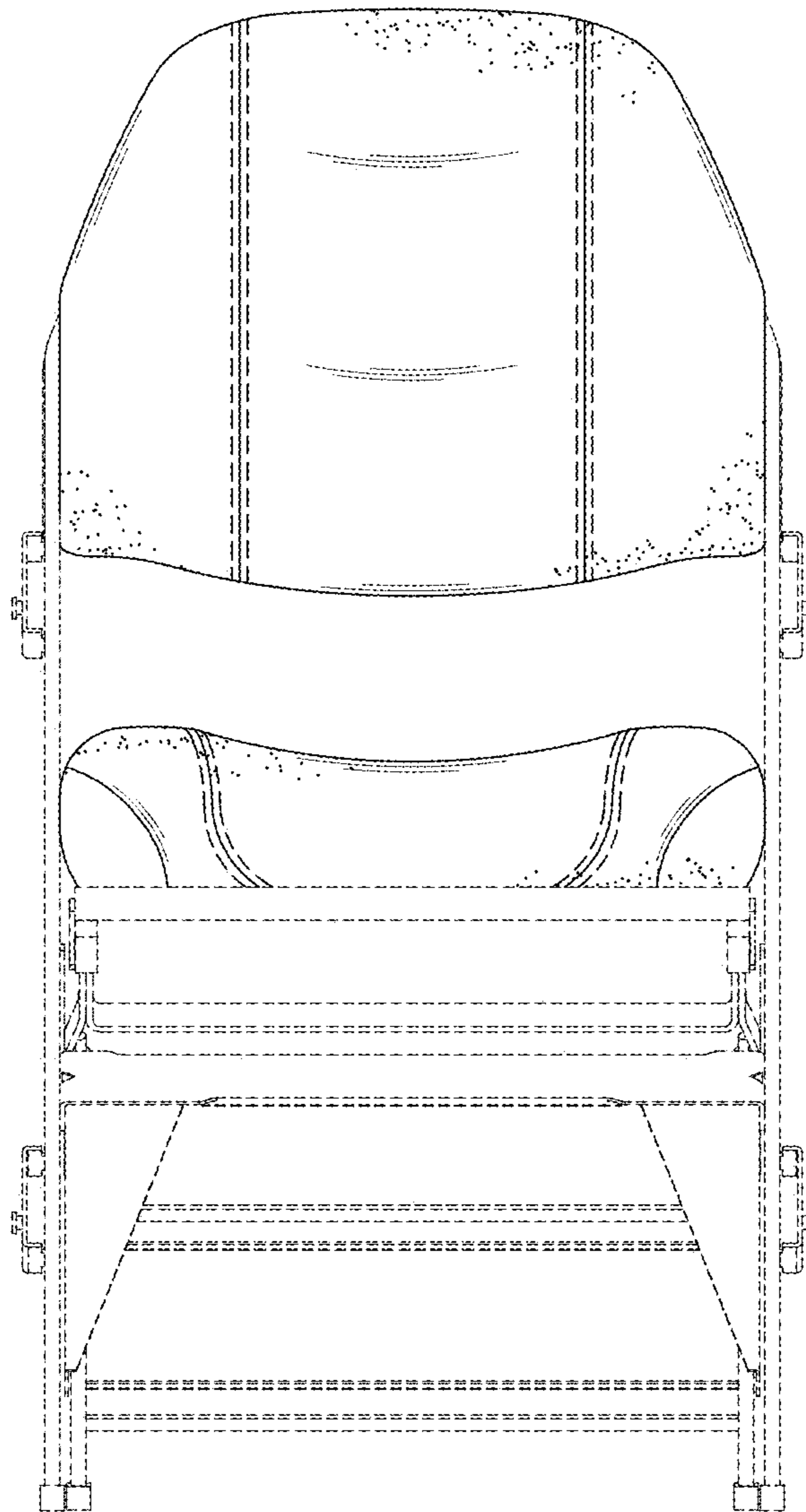


FIG. 2

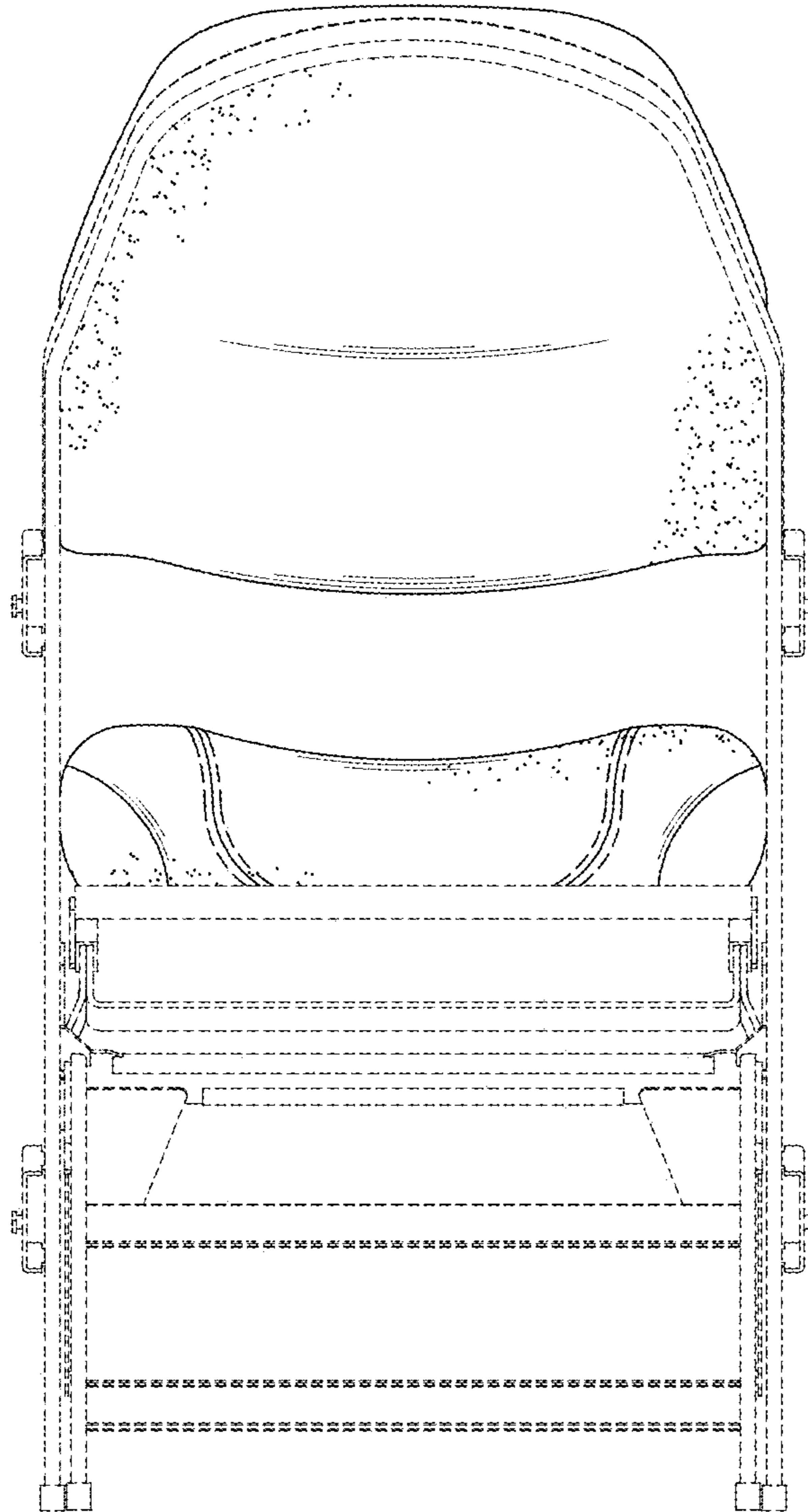


FIG. 3

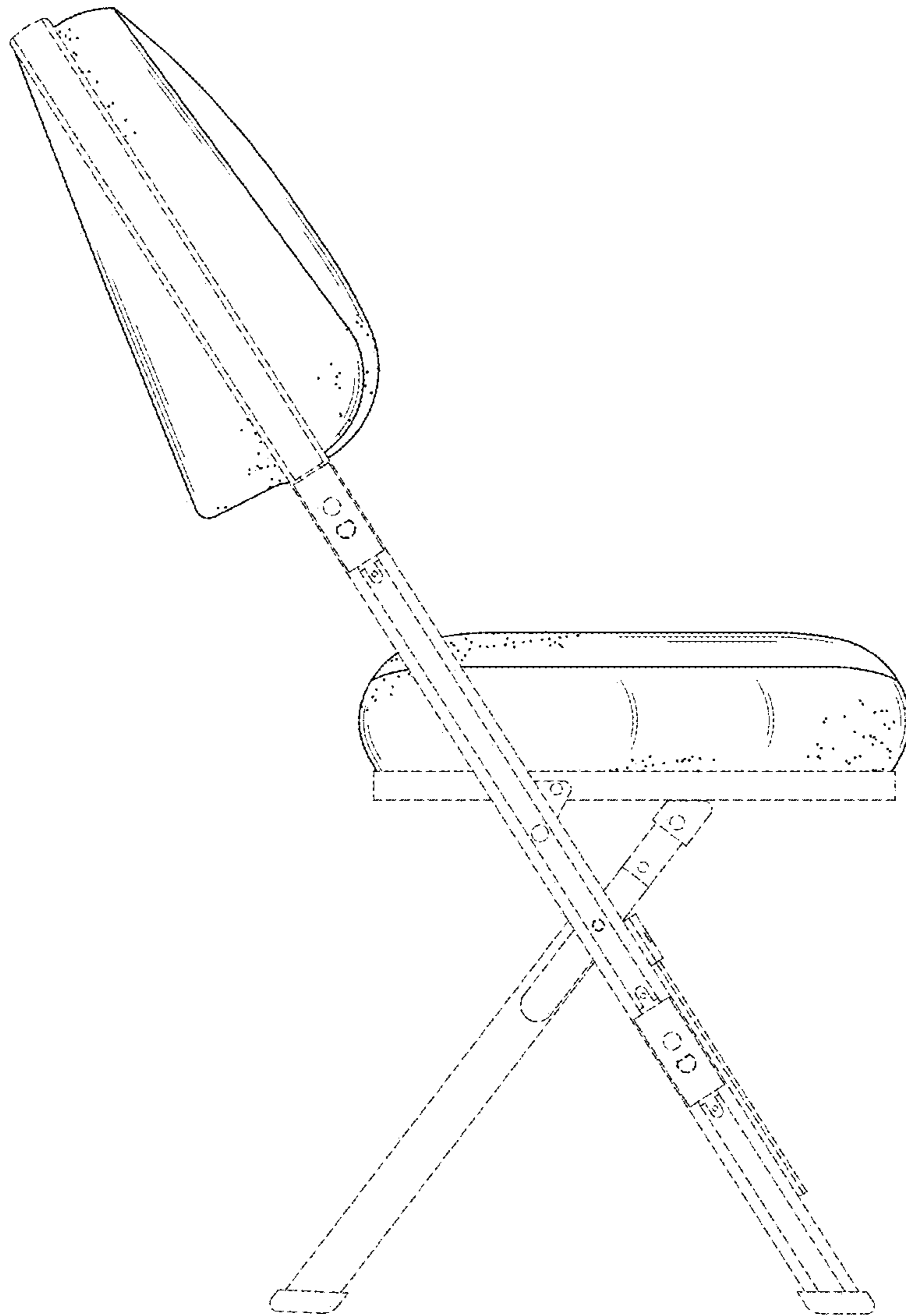


FIG. 4

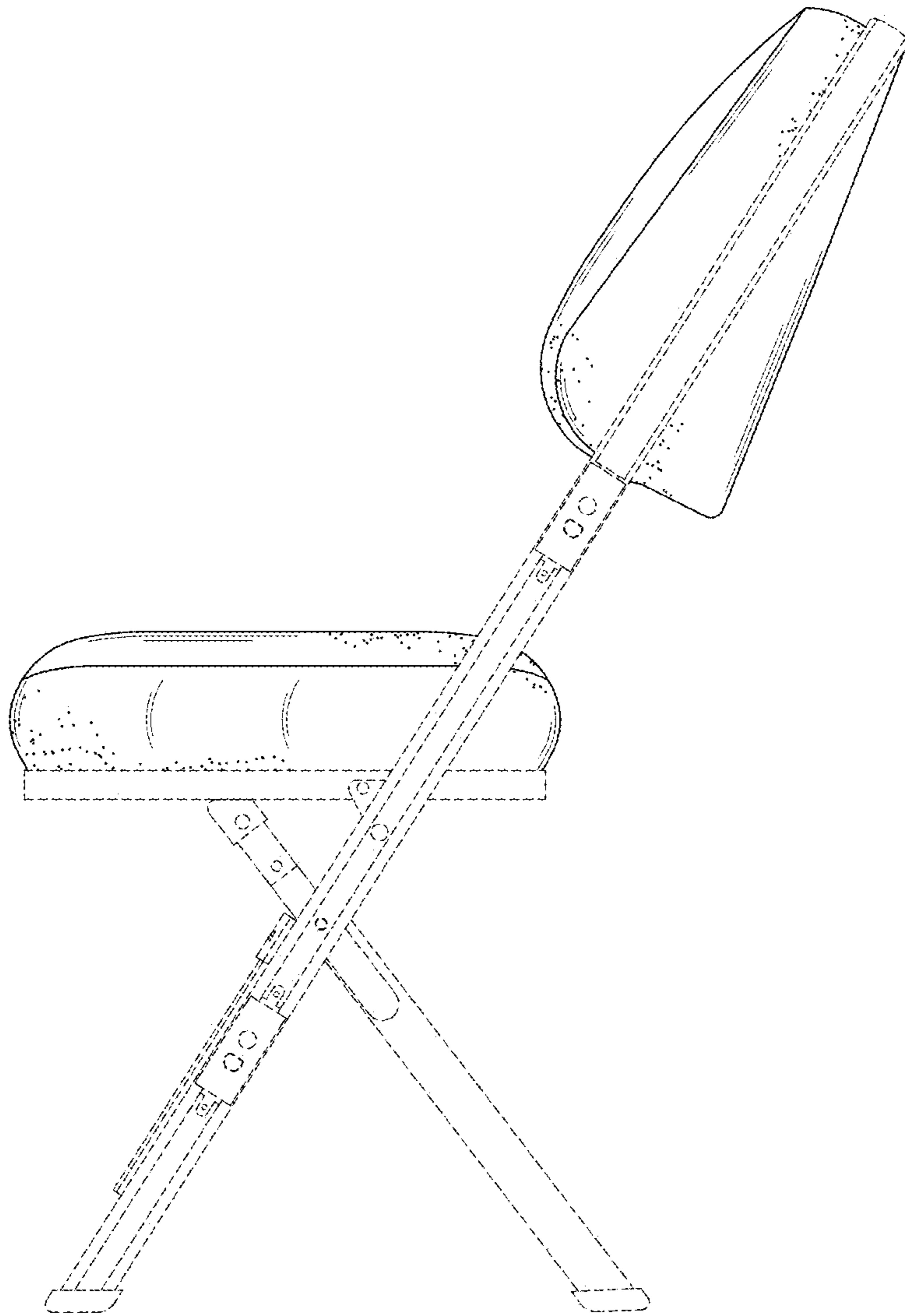


FIG. 5

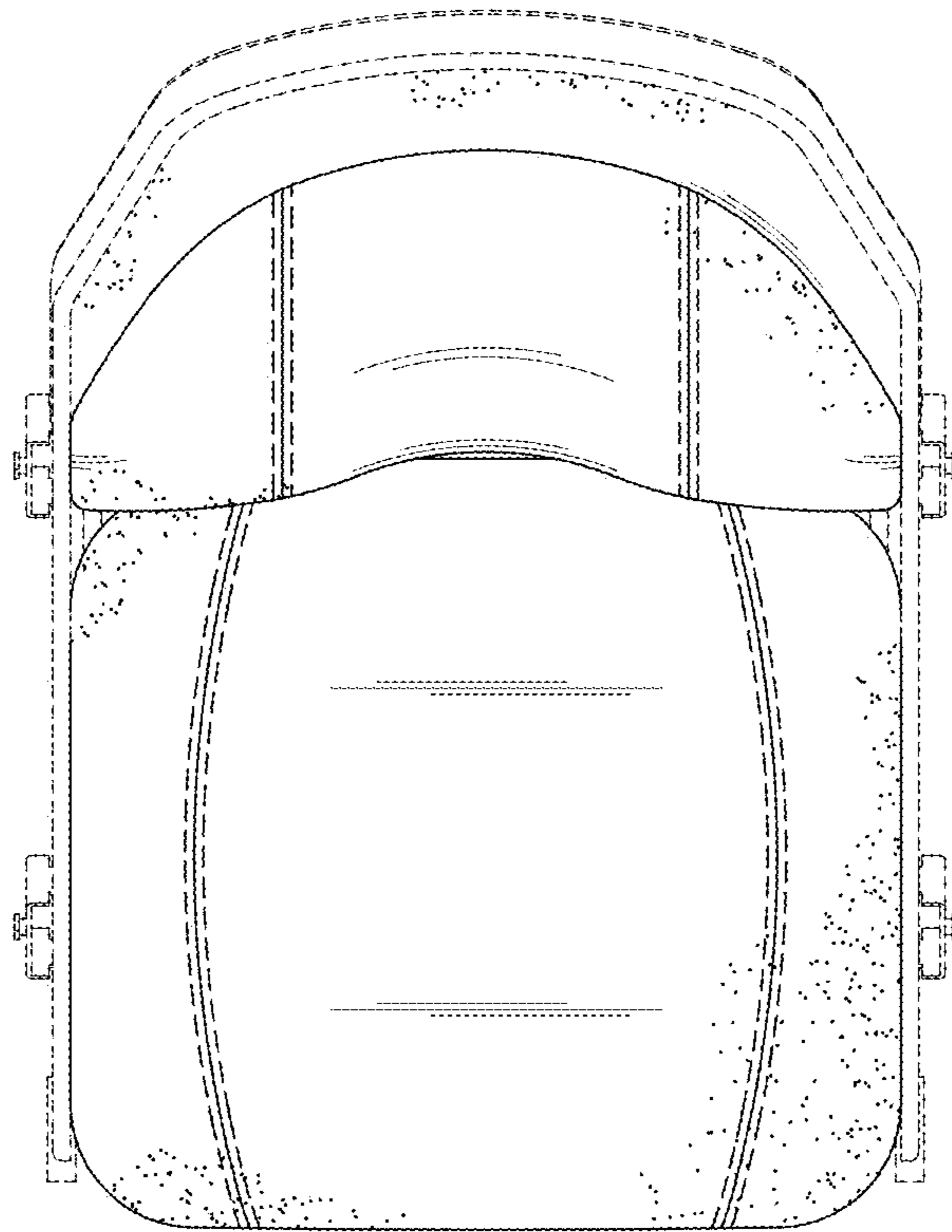


FIG. 6

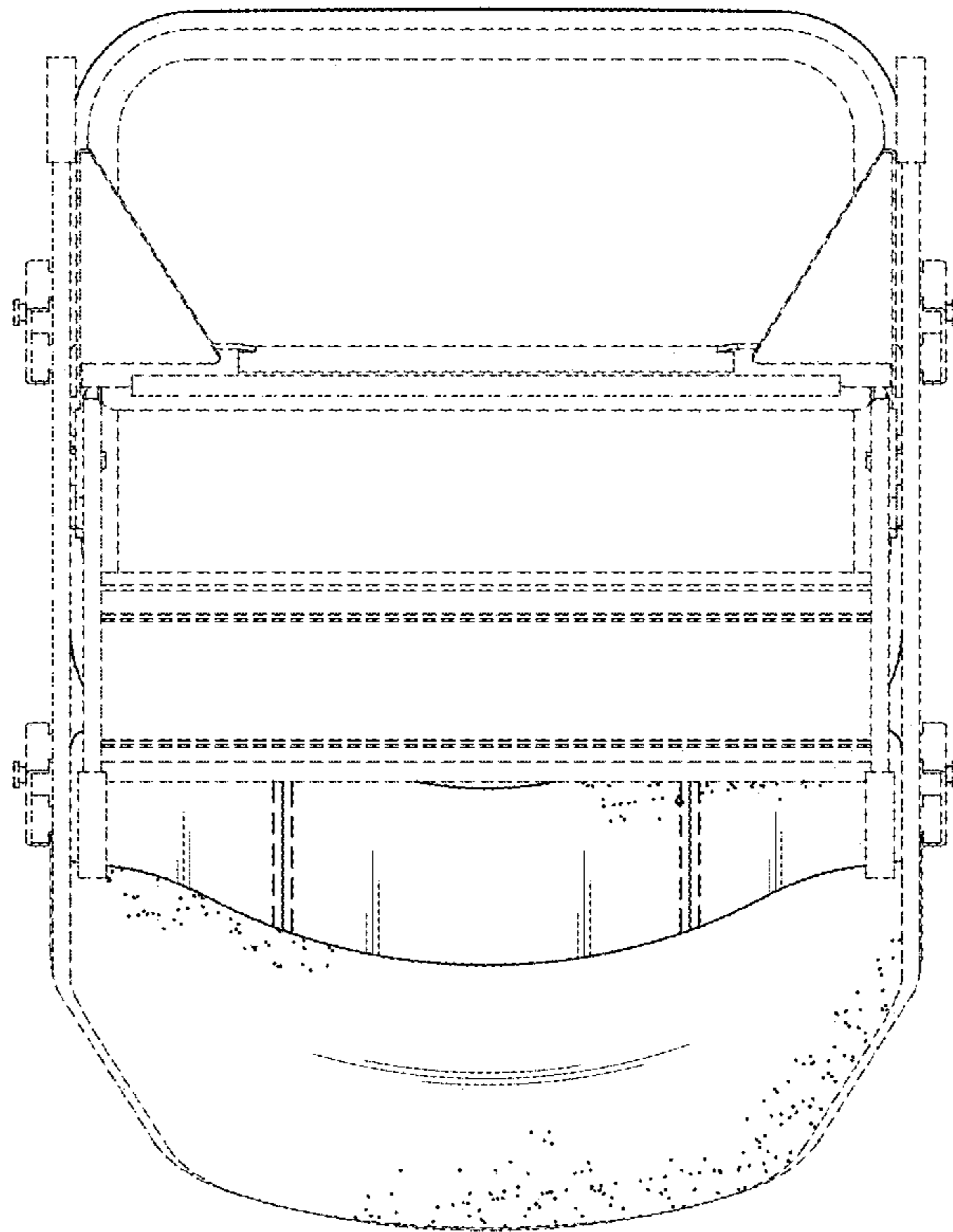


FIG. 7