



US00D889152S

(12) **United States Design Patent** (10) **Patent No.:** **US D889,152 S**
Hecht et al. (45) **Date of Patent:** **** Jul. 7, 2020**

(54) **CHAIR**
(71) Applicant: **HERMAN MILLER, INC.**, Zeeland, MI (US)
(72) Inventors: **Samuel Hecht**, London (GB); **Kimberlee Colin**, London (GB); **Luca Corvatta**, London (GB); **Romain Voulet**, London (GB)

5,511,852 A * 4/1996 Kusiak A47C 1/023
297/301.4
D410,799 S * 6/1999 Meda D6/366
5,921,630 A 7/1999 Cassaday
5,967,608 A 10/1999 Van Sickle
5,975,632 A 11/1999 Ginat
D423,259 S * 4/2000 Grove D6/366
6,059,362 A 5/2000 Lin
(Continued)

(73) Assignee: **HERMAN MILLER, INC.**, Zeeland, MI (US)

FOREIGN PATENT DOCUMENTS
EP 2319967 B1 11/2010
WO 2001070075 A1 9/2001
(Continued)

(**) Term: **15 Years**

(21) Appl. No.: **29/650,240**

OTHER PUBLICATIONS

(22) Filed: **Jun. 5, 2018**

Knoll ReGeneration Chair, Dec. 25, 2012, found on Mar. 5, 2020 at <https://www.gadgetreview.com/knoll-regeneration-ergonomic-chair-review> (Year: 2012).*

(51) **LOC (12) Cl.** **06-01**

(52) **U.S. Cl.**
USPC **D6/366**

(58) **Field of Classification Search**
USPC D6/334, 335, 349, 353, 354, 356, 360,
D6/361, 362, 364, 365, 366, 371, 374,
D6/375, 377, 379, 380, 381
CPC A47C 4/02; A47C 4/04; A47C 4/52; A47C
11/00; A47C 15/002; A47C 1/03; A47C
7/002

Primary Examiner — Karen S Acker
(74) *Attorney, Agent, or Firm* — Michael Best & Friedrich LLP

See application file for complete search history.

(57) **CLAIM**
We claim the ornamental design for a chair, as shown and described.

(56) **References Cited**

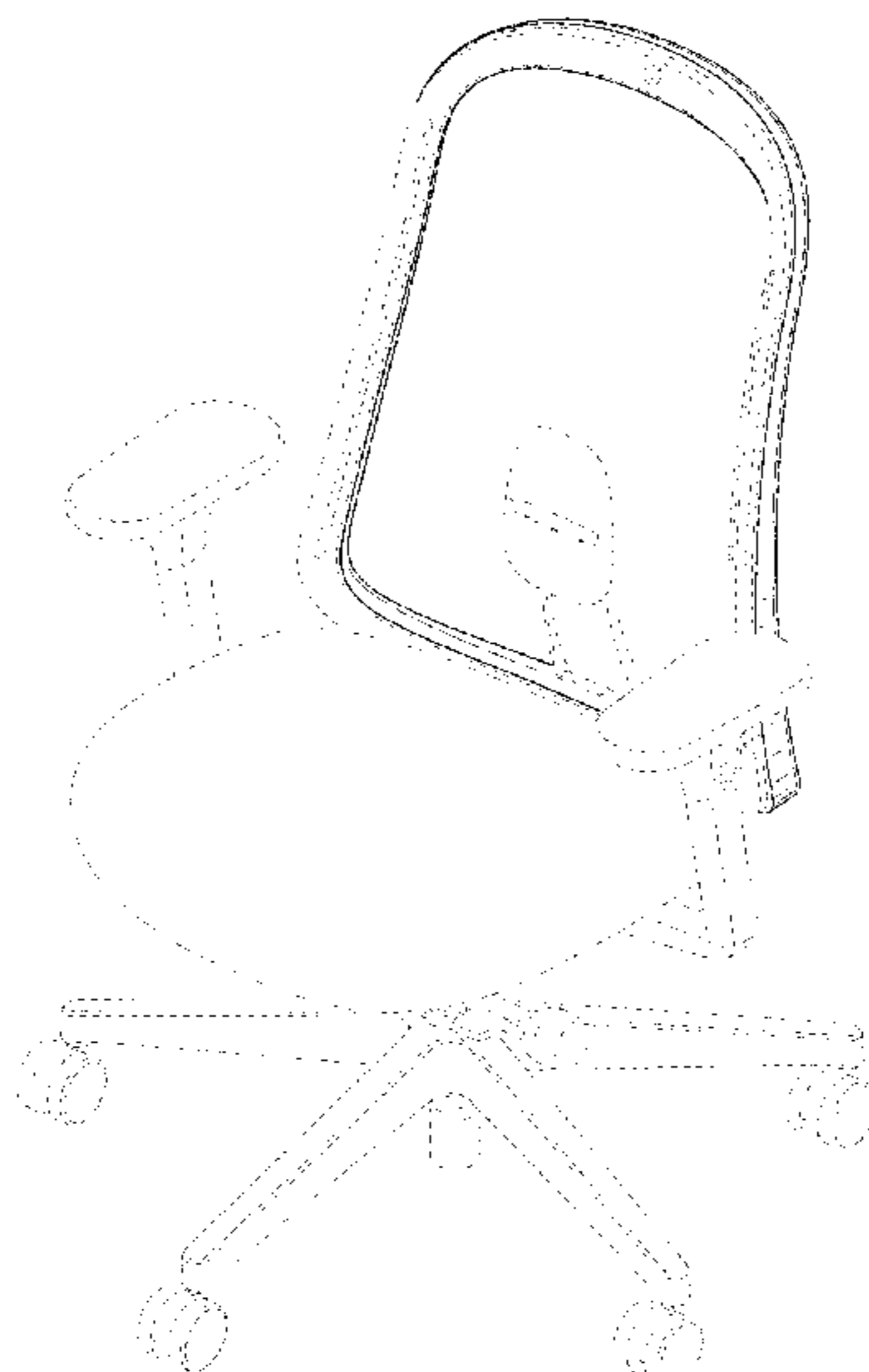
DESCRIPTION

U.S. PATENT DOCUMENTS

2,356,948 A 8/1944 Reed
3,358,742 A 12/1967 Sanderson
3,552,691 A 1/1971 Haller
3,576,704 A 4/1971 Groce et al.
3,695,692 A 10/1972 Williams
4,665,606 A 5/1987 Saito et al.
4,730,871 A 3/1988 Sheldon
5,235,826 A 8/1993 Brooks et al.
D349,621 S * 8/1994 Wilson D6/716.2

FIG. 1 is a perspective view of a chair embodying the invention.
FIG. 2 is a first side view of the chair of FIG. 1.
FIG. 3 is a second side view of the chair of FIG. 1.
FIG. 4 is a front view of the chair of FIG. 1.
FIG. 5 is a rear view of the chair of FIG. 1.
FIG. 6 is a top view of the chair of FIG. 1; and,
FIG. 7 is a bottom view of the chair of FIG. 1.
The broken lines in the drawings depict portions of the chair that form no part of the claimed design.

1 Claim, 7 Drawing Sheets



(56)

References Cited

U.S. PATENT DOCUMENTS

6,065,197 A 5/2000 Iseki et al.
 6,067,777 A 5/2000 Stoll
 6,120,097 A 9/2000 Perry et al.
 6,254,190 B1 7/2001 Gregory
 6,279,999 B1 8/2001 Lee et al.
 D447,654 S * 9/2001 Ho D6/366
 D449,174 S * 10/2001 Neil D6/366
 D451,293 S * 12/2001 Su D6/366
 6,378,944 B1 4/2002 Weissner
 6,419,318 B1 7/2002 Albright
 6,502,904 B1 * 1/2003 Hansen A47C 1/03
 297/411.35
 D471,024 S * 3/2003 Chadwick D6/366
 D477,469 S * 7/2003 Brooks D6/366
 6,663,182 B1 * 12/2003 Dolci A47C 7/54
 297/411.35
 6,698,833 B2 3/2004 Ball et al.
 6,702,390 B2 3/2004 Stumpf et al.
 D506,894 S * 7/2005 Harley D6/366
 D507,124 S * 7/2005 Yang D6/366
 6,942,300 B2 9/2005 Numa et al.
 6,957,861 B1 10/2005 Chou et al.
 D511,914 S 11/2005 Edwards et al.
 6,981,743 B2 1/2006 Edwards et al.
 6,983,997 B2 1/2006 Wilkerson et al.
 7,011,371 B1 * 3/2006 Tsai A47C 1/03
 297/353
 7,025,424 B2 4/2006 Harley
 7,040,834 B2 5/2006 Nardi
 7,096,549 B2 8/2006 Coffield
 D535,505 S * 1/2007 Cai D6/366
 D535,830 S * 1/2007 Bernett D6/366
 D548,992 S * 8/2007 Koepke D6/366
 D556,481 S * 12/2007 Harley A47C 1/03
 D6/366
 7,347,495 B2 3/2008 Beyer et al.
 D572,948 S 7/2008 Wakasugi et al.
 7,395,590 B2 7/2008 Johnson et al.
 D576,813 S * 9/2008 Baldanzi D6/366
 7,425,039 B2 9/2008 Lin
 7,434,879 B2 * 10/2008 Ueda F16F 1/22
 297/296
 7,445,287 B2 11/2008 Chou
 7,461,442 B2 12/2008 Johnson et al.
 7,490,395 B2 2/2009 Coffield et al.
 7,647,714 B2 1/2010 Coffield et al.
 D613,085 S * 4/2010 Fujita D6/366
 7,851,390 B2 12/2010 Salzmann et al.
 D641,998 S * 7/2011 Hazzard D6/716
 D642,000 S * 7/2011 Hazzard D6/716.4
 7,980,632 B2 * 7/2011 Pai A47C 1/03
 297/411.36
 D646,914 S * 10/2011 Gaschy D6/716
 8,029,066 B2 10/2011 Su
 D654,711 S * 2/2012 Fujita D6/366

D656,753 S * 4/2012 Moll D6/366
 8,226,171 B2 * 7/2012 Fang A47C 1/03
 297/411.35
 D665,591 S * 8/2012 Tanaka D6/366
 8,240,771 B2 8/2012 Diffrient
 8,246,113 B2 8/2012 Bock
 D666,841 S * 9/2012 Czumaj-Bront D6/366
 8,287,046 B1 * 10/2012 Wang A47C 7/546
 297/411.26
 8,308,240 B1 11/2012 Chou et al.
 D671,759 S * 12/2012 Hurford D6/366
 D689,318 S * 9/2013 Smith D6/716.4
 D694,538 S * 12/2013 Smith D6/366
 D695,034 S * 12/2013 Smith D6/366
 D698,164 S * 1/2014 Smith D6/366
 D701,068 S * 3/2014 Usumoto D6/366
 D703,457 S 4/2014 Plikat et al.
 8,690,249 B2 4/2014 Kang et al.
 D709,312 S 7/2014 Giugiaro
 D713,664 S * 9/2014 Vetter D6/716
 D714,070 S * 9/2014 Cvek D6/366
 8,845,024 B2 9/2014 Beyer et al.
 D714,563 S * 10/2014 Amdal D6/366
 8,926,016 B2 1/2015 Behar et al.
 D727,075 S * 4/2015 Usumoto D6/366
 D727,076 S * 4/2015 Usumoto D6/366
 8,998,339 B2 * 4/2015 Peterson A47C 1/024
 297/452.56
 D734,971 S * 7/2015 Izawa D6/716.4
 9,334,588 B2 5/2016 Kosui et al.
 9,345,328 B2 5/2016 Peterson et al.
 D763,587 S * 8/2016 Neil D6/366
 9,462,891 B2 10/2016 Kikuchi et al.
 D773,199 S * 12/2016 Neil D6/366
 D782,240 S * 3/2017 Wada D6/716.4
 9,661,930 B2 5/2017 Norman et al.
 9,700,142 B2 7/2017 Wagner
 D795,602 S * 8/2017 Neil D6/366
 D810,487 S * 2/2018 Kim D6/716.4
 D834,844 S * 12/2018 Chan D6/366
 D838,506 S * 1/2019 Borgenhov D6/366
 D841,340 S * 2/2019 Chadwick D5/54
 10,194,750 B2 * 2/2019 Ludwig A47C 1/03277
 D874,202 S * 2/2020 Schmitz D6/716
 2003/0085607 A1 5/2003 Jones et al.
 2005/0248205 A1 11/2005 Neil et al.
 2006/0080817 A1 4/2006 Klinker
 2010/0244521 A1 * 9/2010 Ueda A47C 1/03255
 297/298
 2016/0368405 A1 12/2016 Ishii et al.

FOREIGN PATENT DOCUMENTS

WO 2005025379 A1 3/2005
 WO 2007131358 A1 11/2007
 WO 2010041894 A2 4/2010
 WO 2017191086 A1 11/2017

* cited by examiner

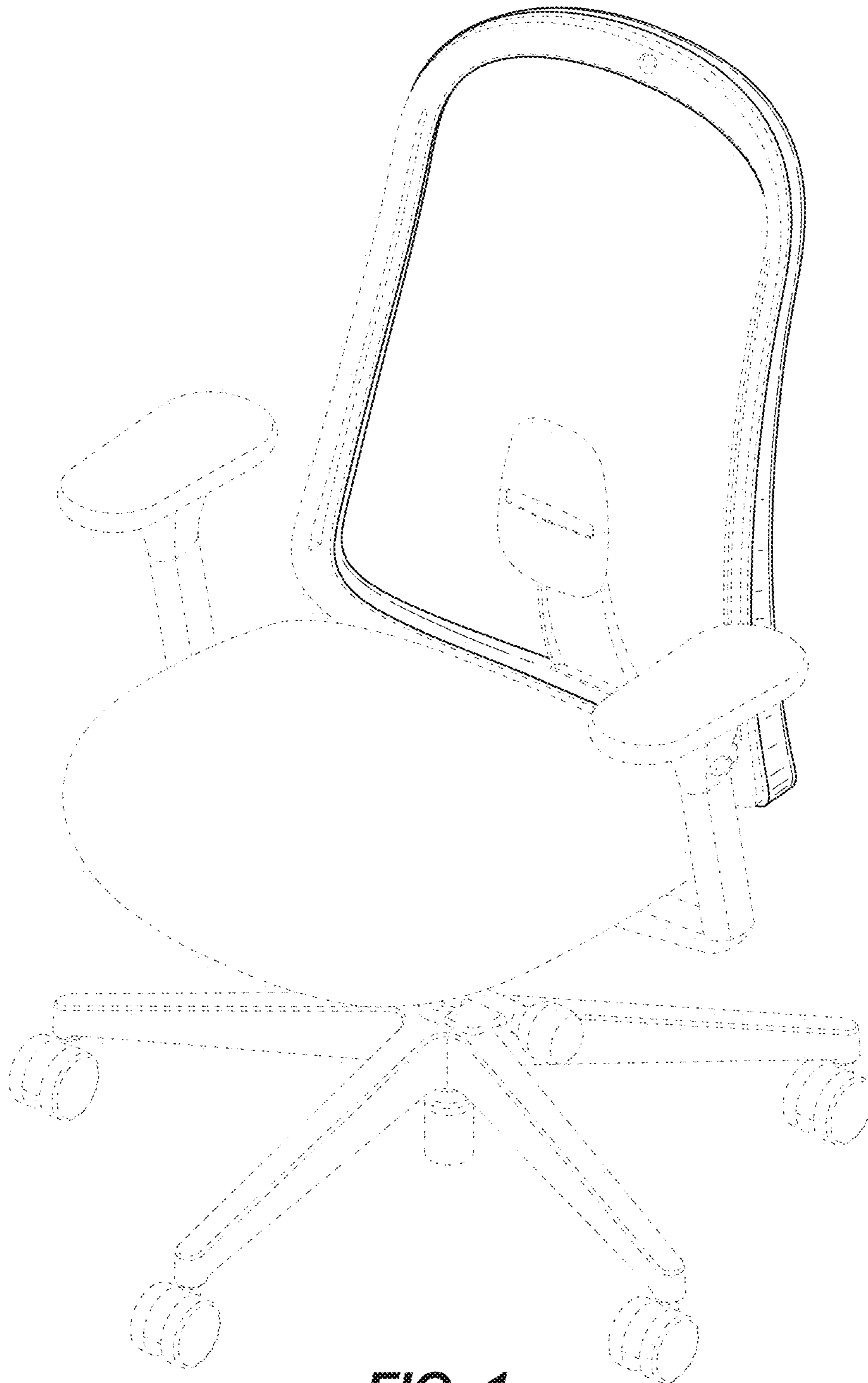


FIG. 1

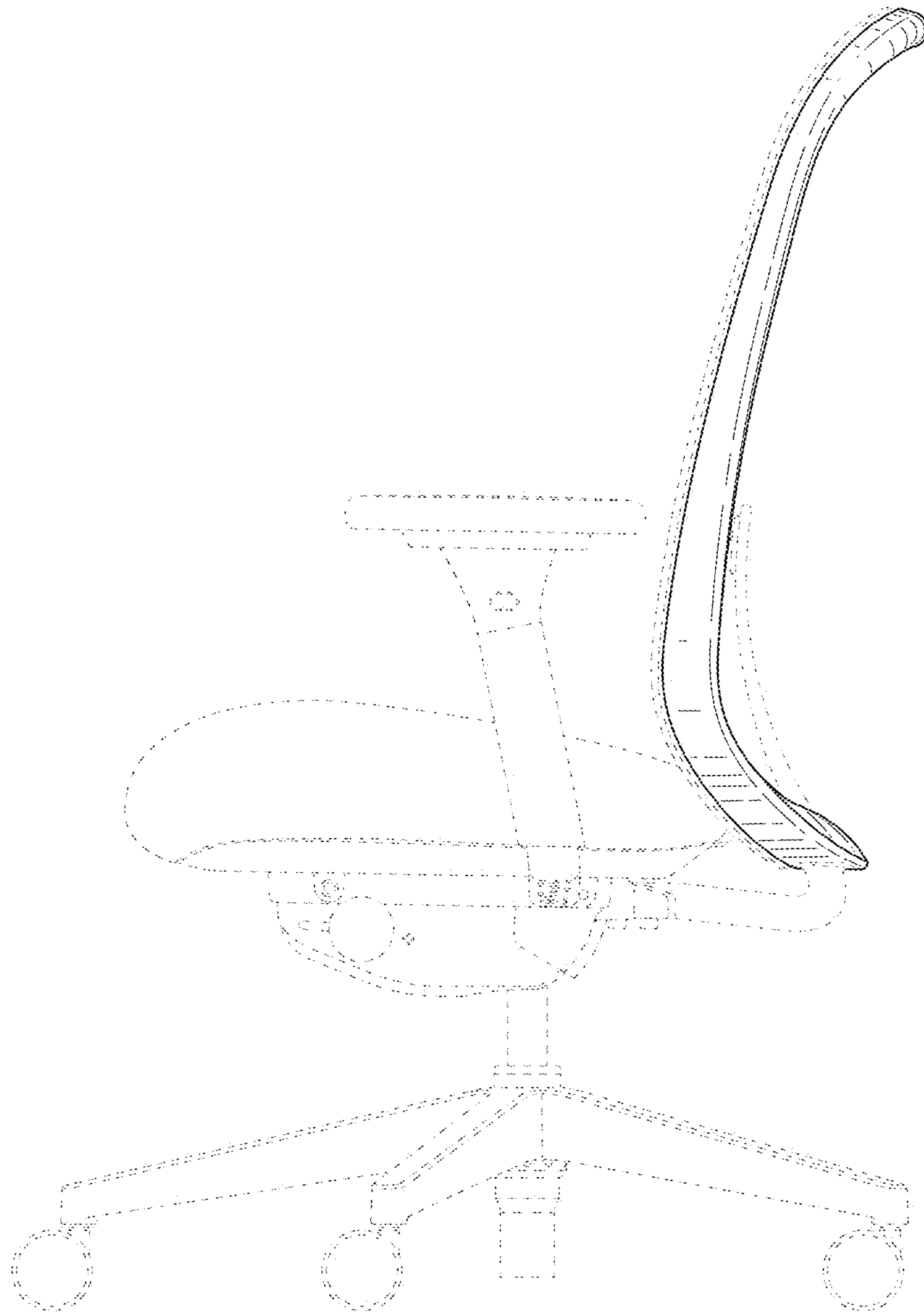


FIG. 2

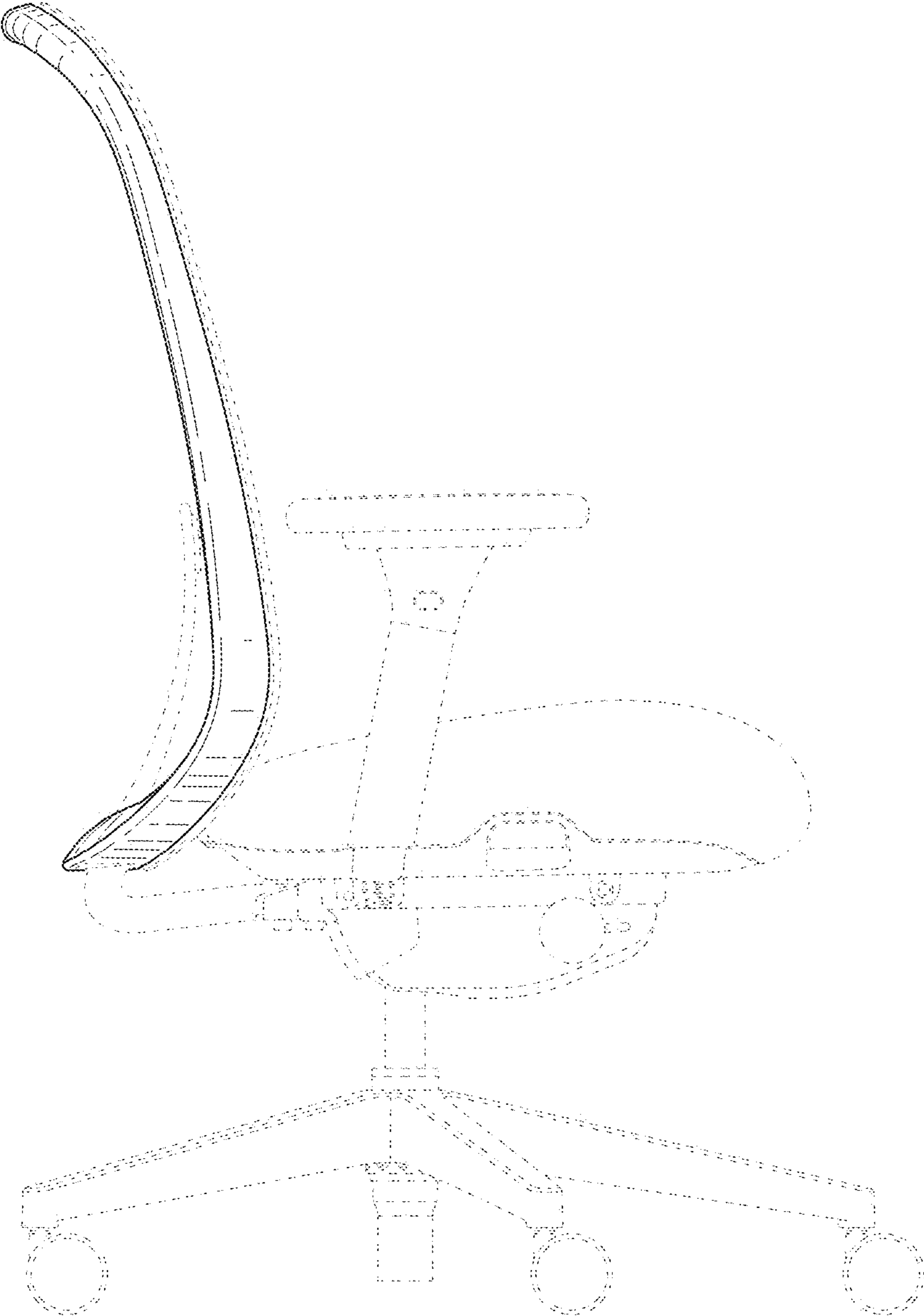


FIG. 3

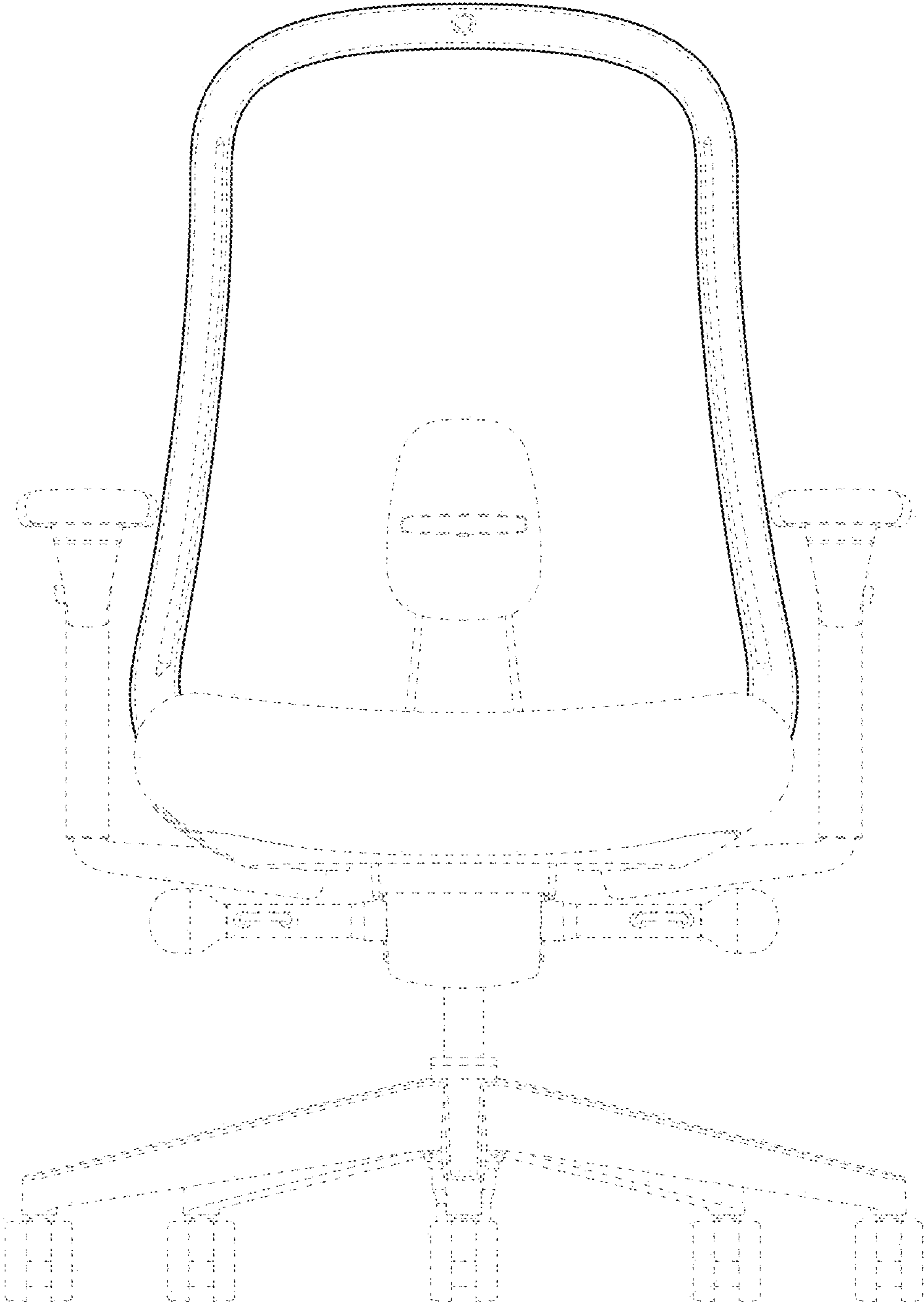


FIG. 4

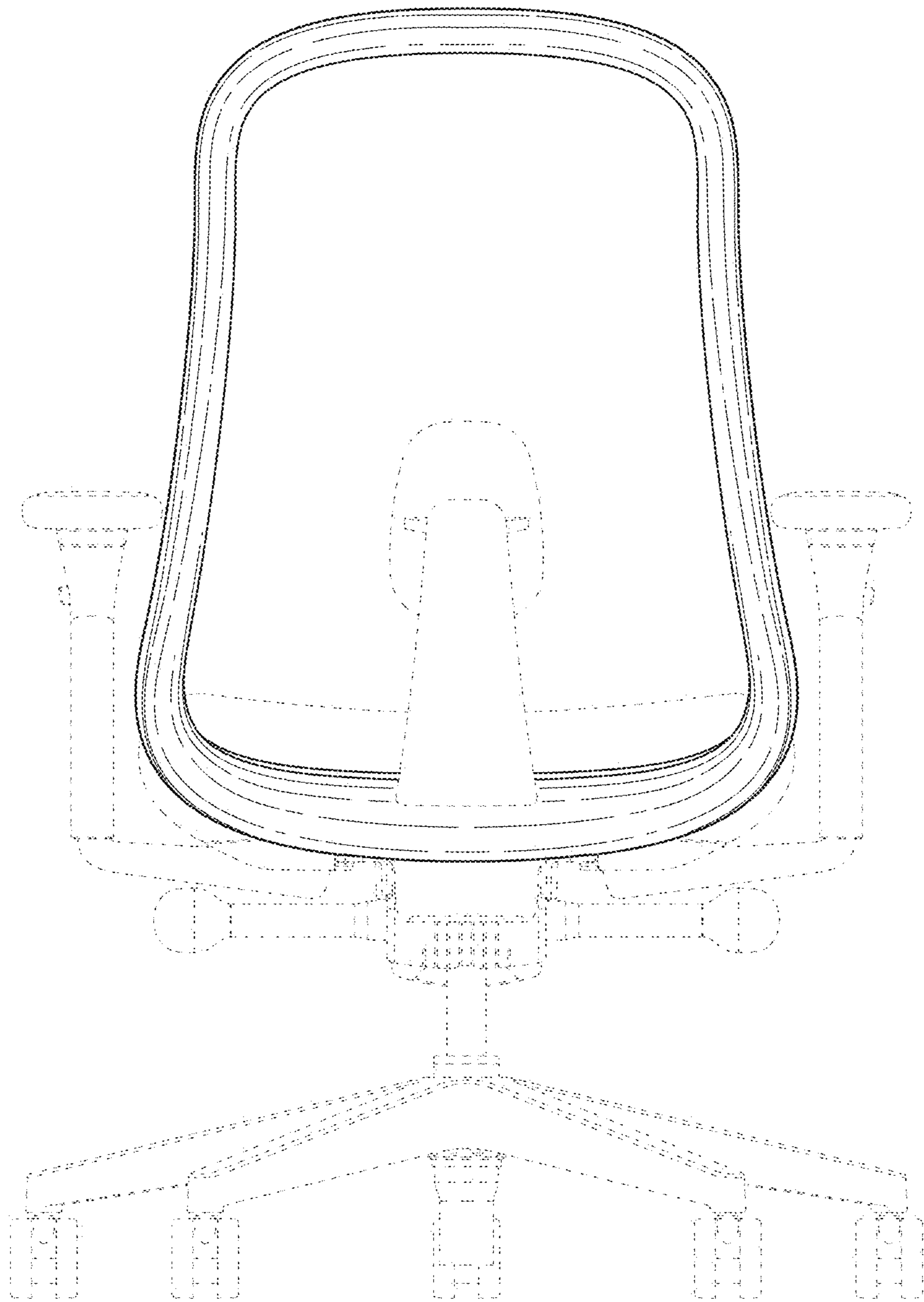


FIG. 5

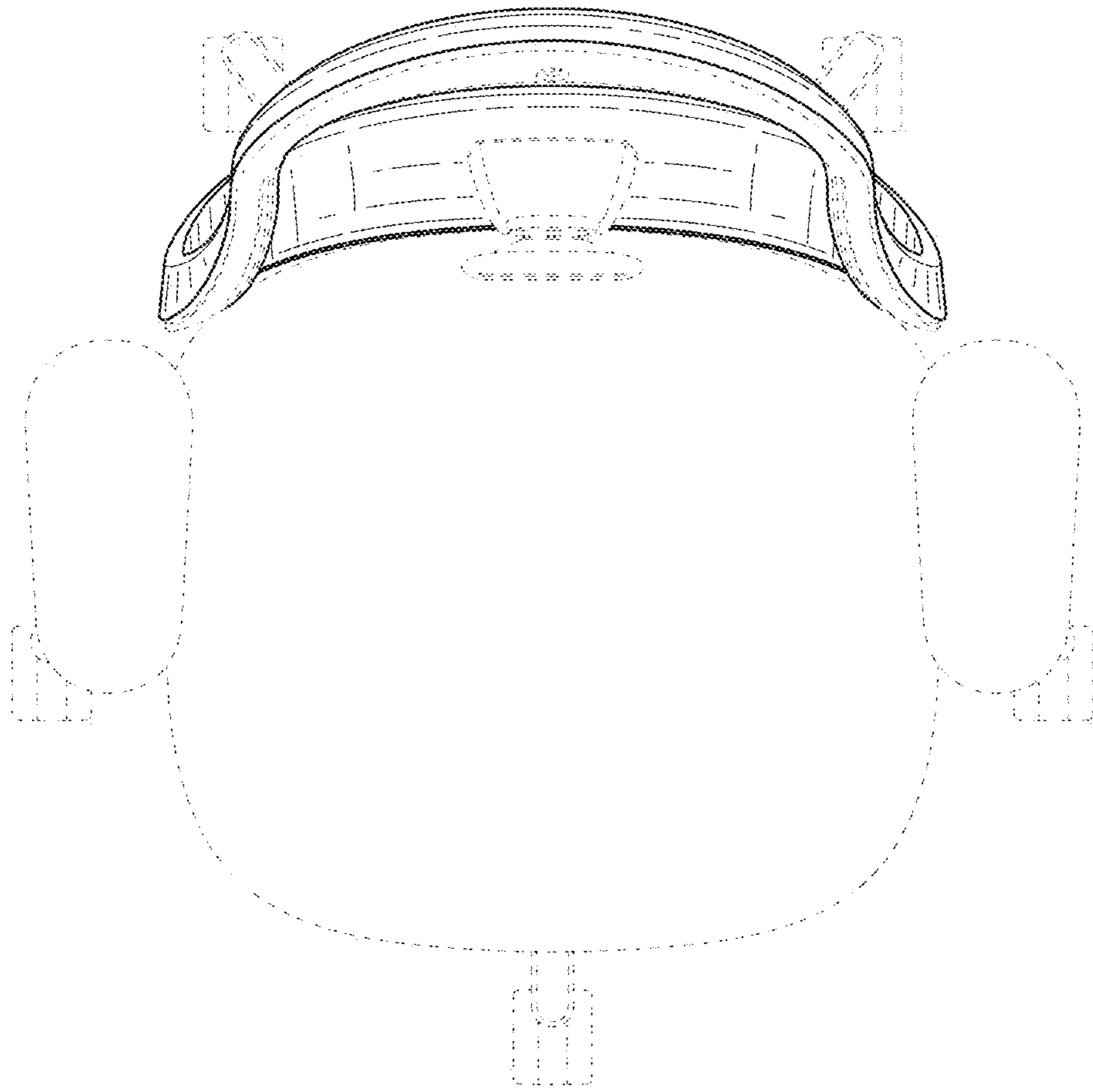


FIG. 6

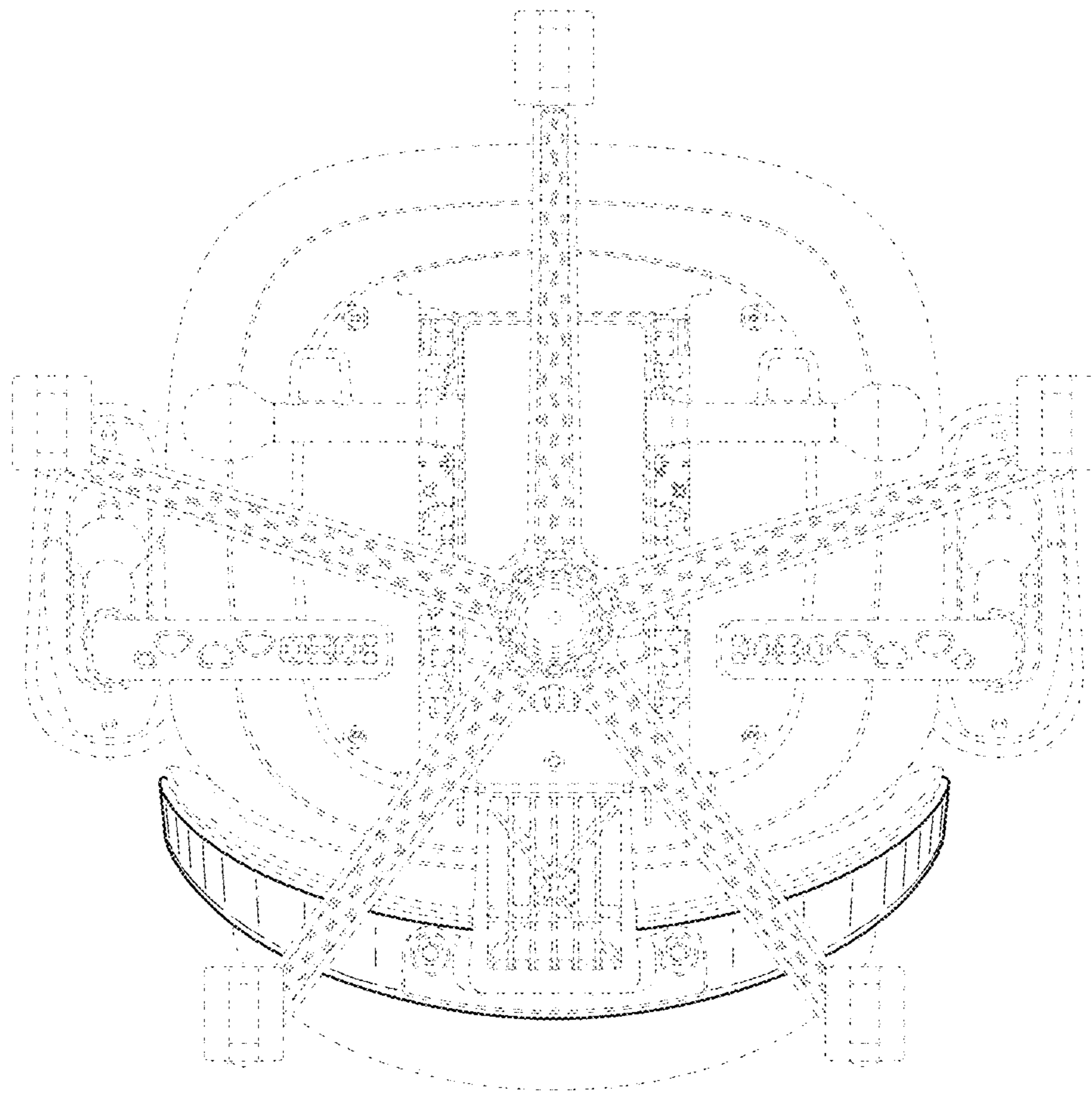


FIG. 7