



US00D889149S

(12) **United States Design Patent** (10) **Patent No.:** **US D889,149 S**
Bell et al. (45) **Date of Patent:** **** Jul. 7, 2020**

(54) **YACHT SEATING**

(56) **References Cited**

(71) Applicant: **Furrion Property Holding Limited,**
Hong Kong (HK)

U.S. PATENT DOCUMENTS

(72) Inventors: **Steven Neill Bell,** Hong Kong (HK);
Matthew David Fidler, Hong Kong
(HK); **Bernard San Lap Lo,** Hong
Kong (HK); **Kushal Shailesh Patel,**
Hong Kong (HK); **Wai Sang Chan**
Vincent, Hong Kong (HK)

D317,534 S *	6/1991	Hansel	D6/333
D396,152 S *	7/1998	Beermann	D6/356
D694,031 S *	11/2013	Ritzel	D6/356
D721,895 S *	2/2015	Beermann	D6/356
D748,926 S *	2/2016	Henstridge	D6/356
D749,333 S *	2/2016	Henstridge	D6/356
D749,334 S *	2/2016	Henstridge	D6/356
D799,225 S *	10/2017	Callum	D6/356
D804,205 S *	12/2017	Godard	D6/356
D805,313 S *	12/2017	Varga	D6/356
D808,185 S *	1/2018	Kondo	D6/356
D841,350 S *	2/2019	Smith	D6/356
D841,352 S *	2/2019	Bekas	D6/356
D852,563 S *	7/2019	Shen	D6/716
D854,345 S *	7/2019	Rost	D6/356
D856,015 S *	8/2019	Von Holzhausen	D6/356
D861,362 S *	10/2019	Smith	D6/356
D861,364 S *	10/2019	Pinder	D6/356

(73) Assignee: **Furrion Property Holding Limited,**
Hong Kong (HK)

(**) Term: **15 Years**

* cited by examiner

(21) Appl. No.: **29/675,708**

(22) Filed: **Jan. 4, 2019**

Primary Examiner — Kevin K Rudzinski

(51) **LOC (12) Cl.** **06-01**

Assistant Examiner — Paul D Bohannon

(52) **U.S. Cl.**

(74) *Attorney, Agent, or Firm* — Faegre Drinker Biddle & Reath LLP

USPC **D6/356**

(58) **Field of Classification Search**

USPC D6/334, 356, 360, 369, 370, 374, 376,
D6/716, 716.1, 716.2, 716.3, 716.4,
D6/716.5, 716.7, 366, 335, 342, 364, 375;
D21/521, 533, 548; D12/133; D14/172
CPC A61H 2201/0149; B60N 2/06; B60N 2/20;
B60N 2/22; B60N 2/58; B60N 2/68;
B60N 2/80; B60N 2/643; B60N 2/888;
B60N 2/859; B60N 2/1615; B60N
2/7035; B60N 2/42745; B60N 2002/0272;
B60N 2205/35; B60N 2/44; B60N 2/56;
B60N 2/206; B60N 2/366; B60N 2/933;
B60N 2/2222; B60N 2/2245; B60N
2/686; B60N 2/688; F16B 2/08; F16B
2/803; F16B 45/00

See application file for complete search history.

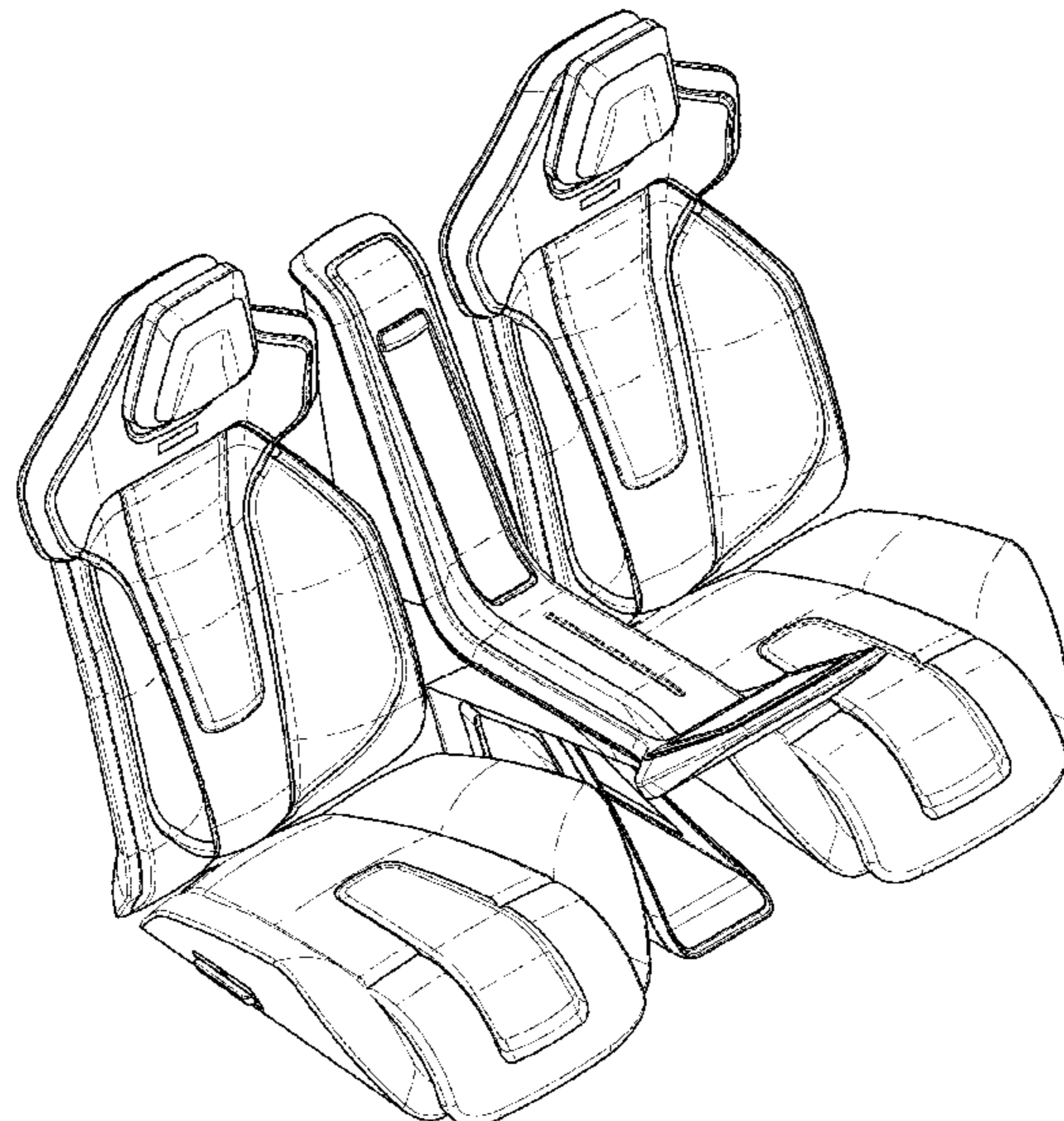
(57) **CLAIM**

The ornamental design for yacht seating, as shown and described.

DESCRIPTION

FIG. 1 is a front perspective view of yacht seating, illustrating our new design;
FIG. 2 is a front elevation view thereof;
FIG. 3 is a rear elevation view thereof;
FIG. 4 is a left side elevation view thereof;
FIG. 5 is a right side elevation view thereof;
FIG. 6 is a top plan view thereof; and,
FIG. 7 is a bottom plan view thereof.

1 Claim, 7 Drawing Sheets



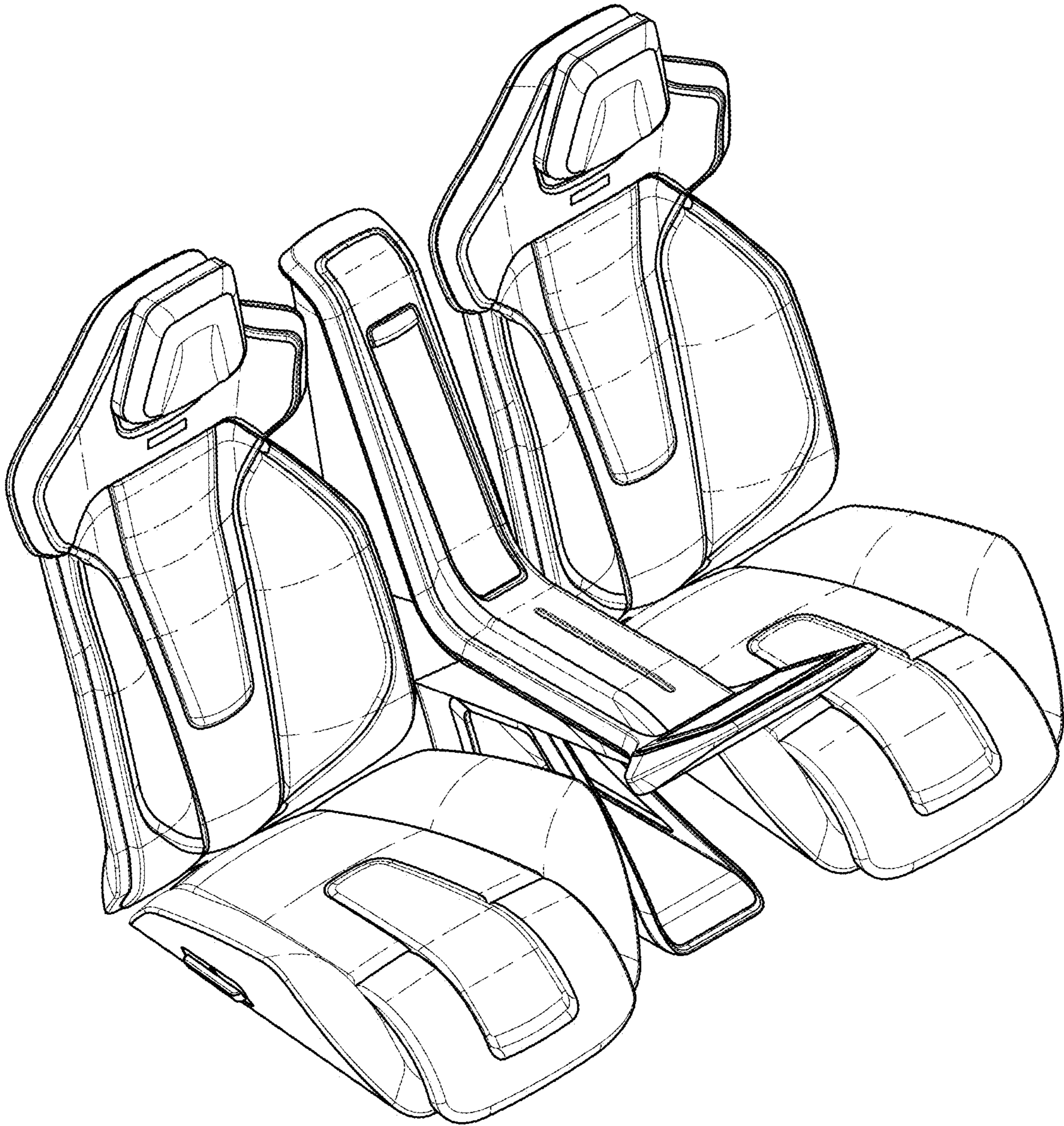


FIG. 1

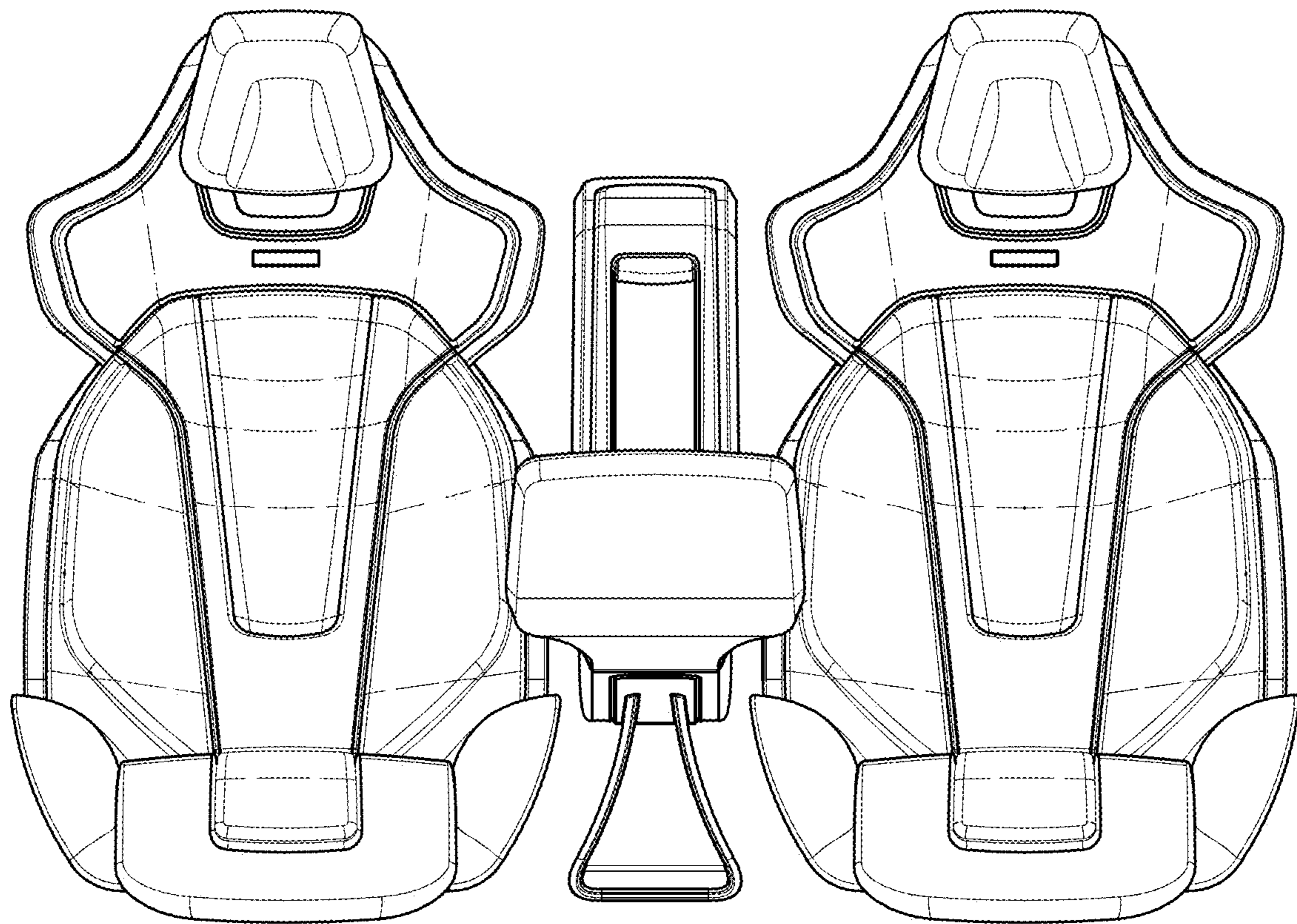


FIG. 2

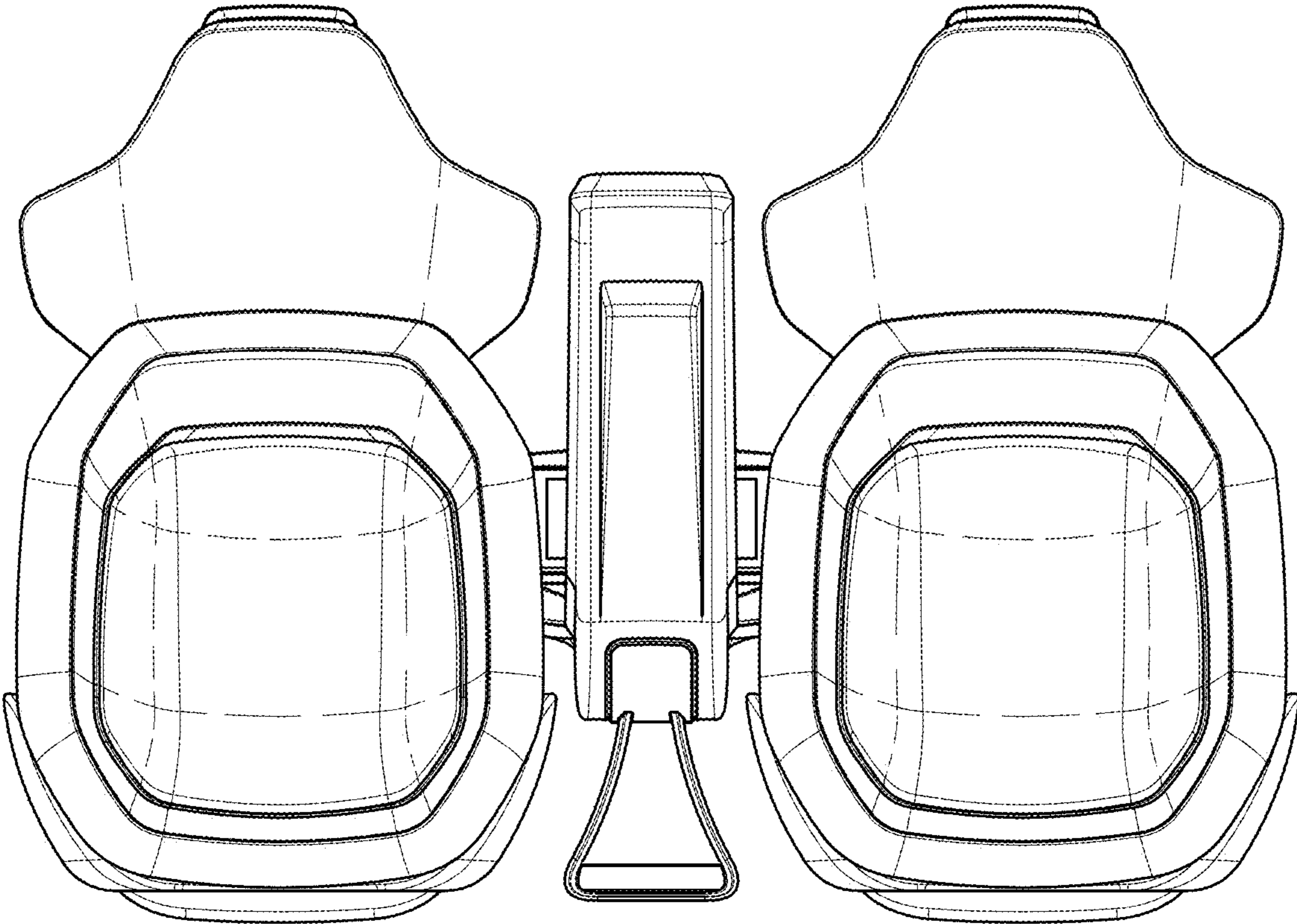


FIG. 3

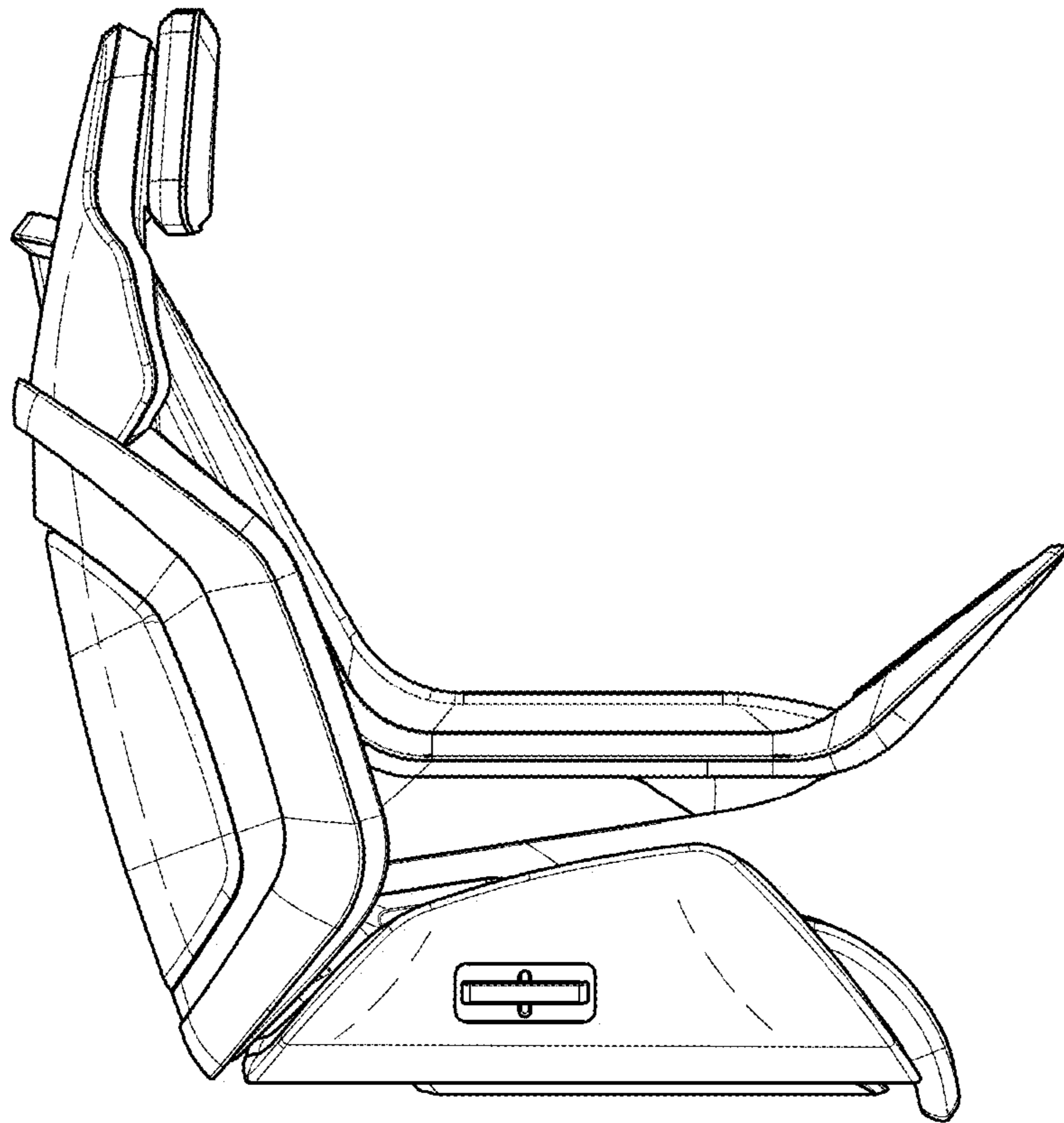


FIG. 4

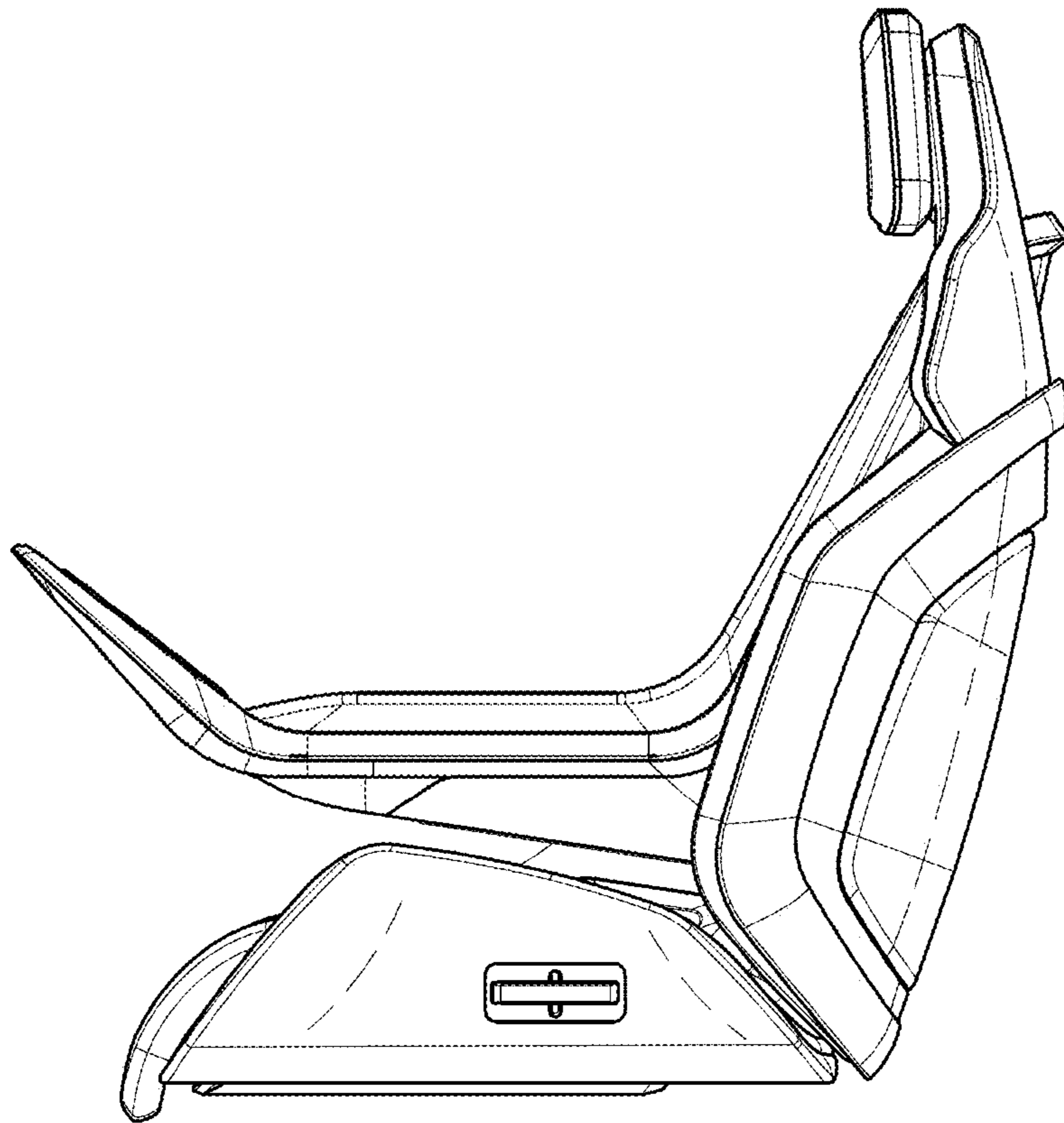


FIG. 5

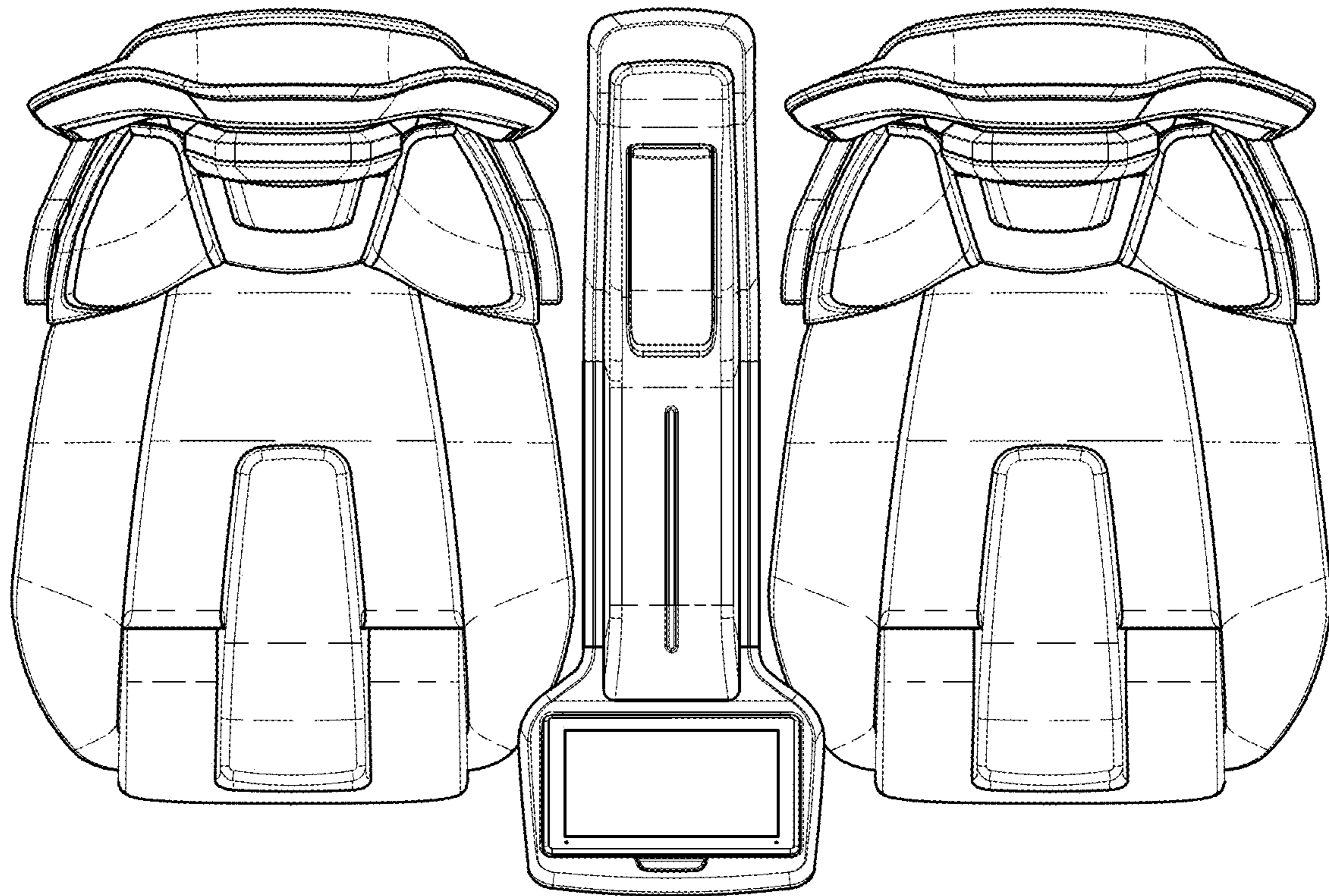


FIG. 6

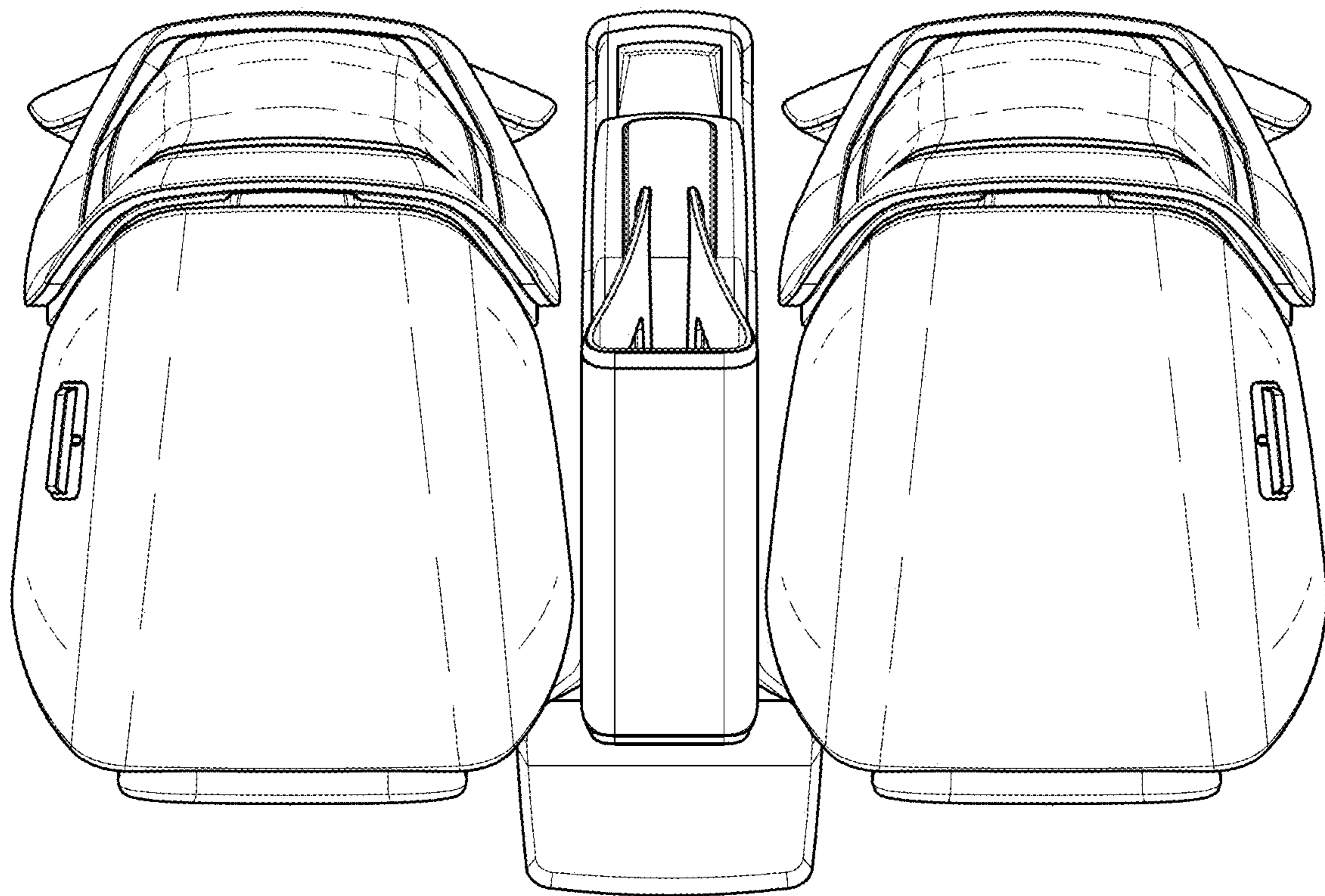


FIG. 7