



US00D889147S

(12) **United States Design Patent**
Chiu

(10) **Patent No.:** **US D889,147 S**
(45) **Date of Patent:** **** Jul. 7, 2020**

(54) **BALL CHAIR**
(71) Applicant: **Ciber Chiu**, Changhua (TW)
(72) Inventor: **Ciber Chiu**, Changhua (TW)
(73) Assignee: **FAMOSA CORP.**, Changhua (TW)
(**) Term: **15 Years**
(21) Appl. No.: **29/676,887**

D536,542 S * 2/2007 Chiu D6/352
D801,713 S * 11/2017 Chiu D6/352
9,919,185 B1 * 3/2018 Qiubo A63B 24/0062
D819,356 S * 6/2018 Borak D6/380
10,021,983 B2 * 7/2018 Mark A47C 3/18
D829,456 S * 10/2018 Chiu D6/349
10,279,211 B2 * 5/2019 Chiu A47C 9/002
2004/0245838 A1 * 12/2004 Chiu A47C 4/54
297/452.41
2014/0210249 A1 * 7/2014 Barnett A47C 4/54
297/452.41
2014/0265495 A1 * 9/2014 Bay A47C 7/402
297/311

(22) Filed: **Jan. 15, 2019**
(51) **LOC (12) Cl.** **06-01**
(52) **U.S. Cl.**
USPC **D6/352**
(58) **Field of Classification Search**
USPC D6/334-338, 340-343, 349-353, 355,
D6/364-365, 691-691.9, 692-692.6,
D6/716-716.1, 717; D25/65
CPC A47B 7/00-02; A47C 11/00; A47C 12/00;
A47C 13/00; A47C 16/00; A47C
16/02-04; A47C 9/00-105; A47K 17/02;
A47K 17/028
See application file for complete search history.

* cited by examiner

Primary Examiner — Vy N Koenig
(74) *Attorney, Agent, or Firm* — Che-Yang Chen; Law
Office of Michael Chen

(57) **CLAIM**

The ornamental design for a ball chair, as shown and described.

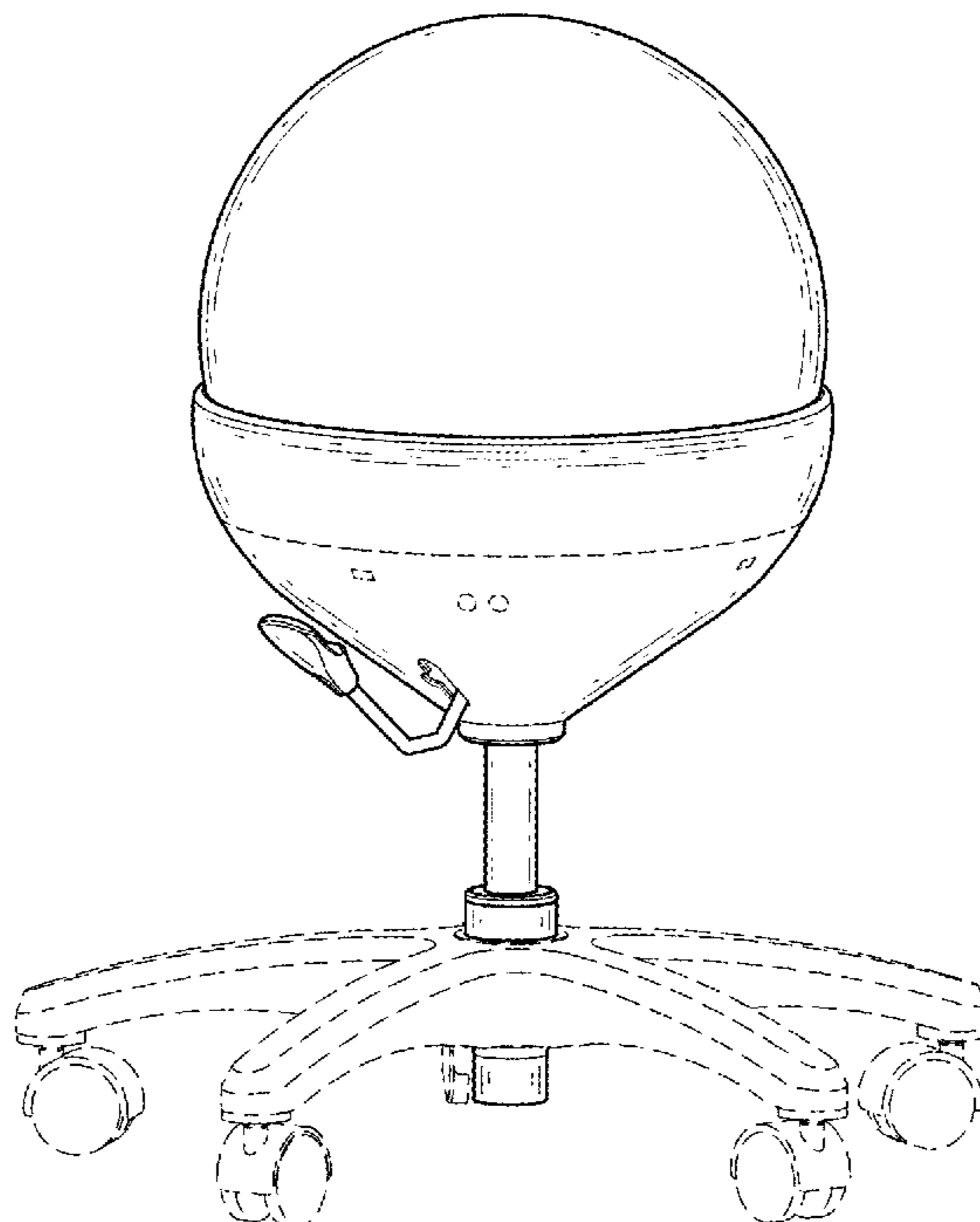
DESCRIPTION

FIG. 1 is a perspective view of a ball chair showing my new design;
FIG. 2 is a front elevational view thereof;
FIG. 3 is a rear elevational view thereof;
FIG. 4 is a left side elevational view thereof;
FIG. 5 is a right side elevational view thereof;
FIG. 6 is a top plan view thereof; and,
FIG. 7 is a bottom plan view thereof.
The broken lines depict portions of the ball chair that form no part of the claimed design.

(56) **References Cited**
U.S. PATENT DOCUMENTS

D471,025 S * 3/2003 Chiu D6/366
D471,371 S * 3/2003 Chiu D6/366
6,702,388 B1 * 3/2004 Chiu A47C 4/54
297/217.1
6,832,817 B1 * 12/2004 Chiu A47C 4/54
16/43
D503,553 S * 4/2005 Chiu D6/352
7,140,677 B1 * 11/2006 Chiu A47C 4/54
297/181

1 Claim, 7 Drawing Sheets



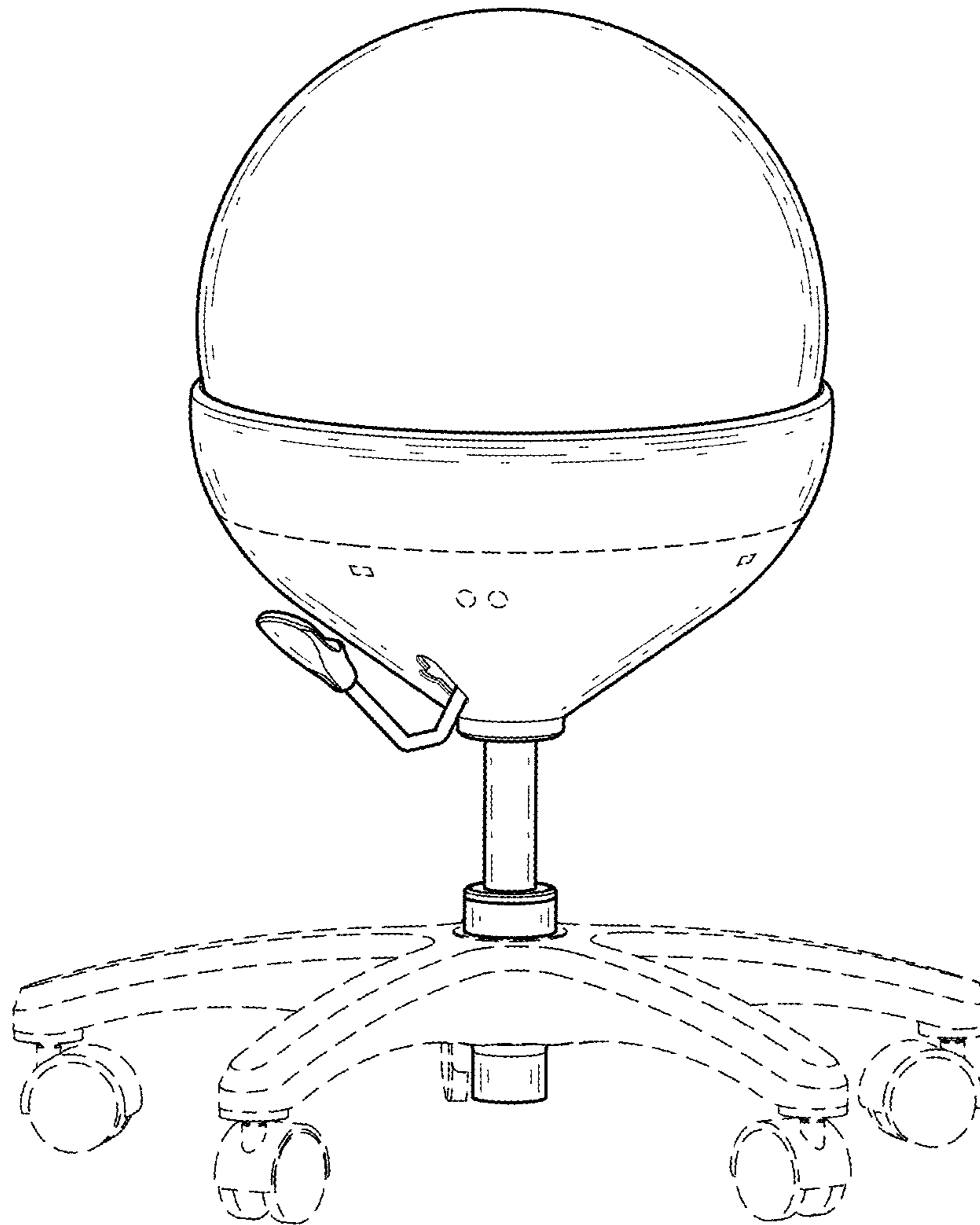


FIG.1

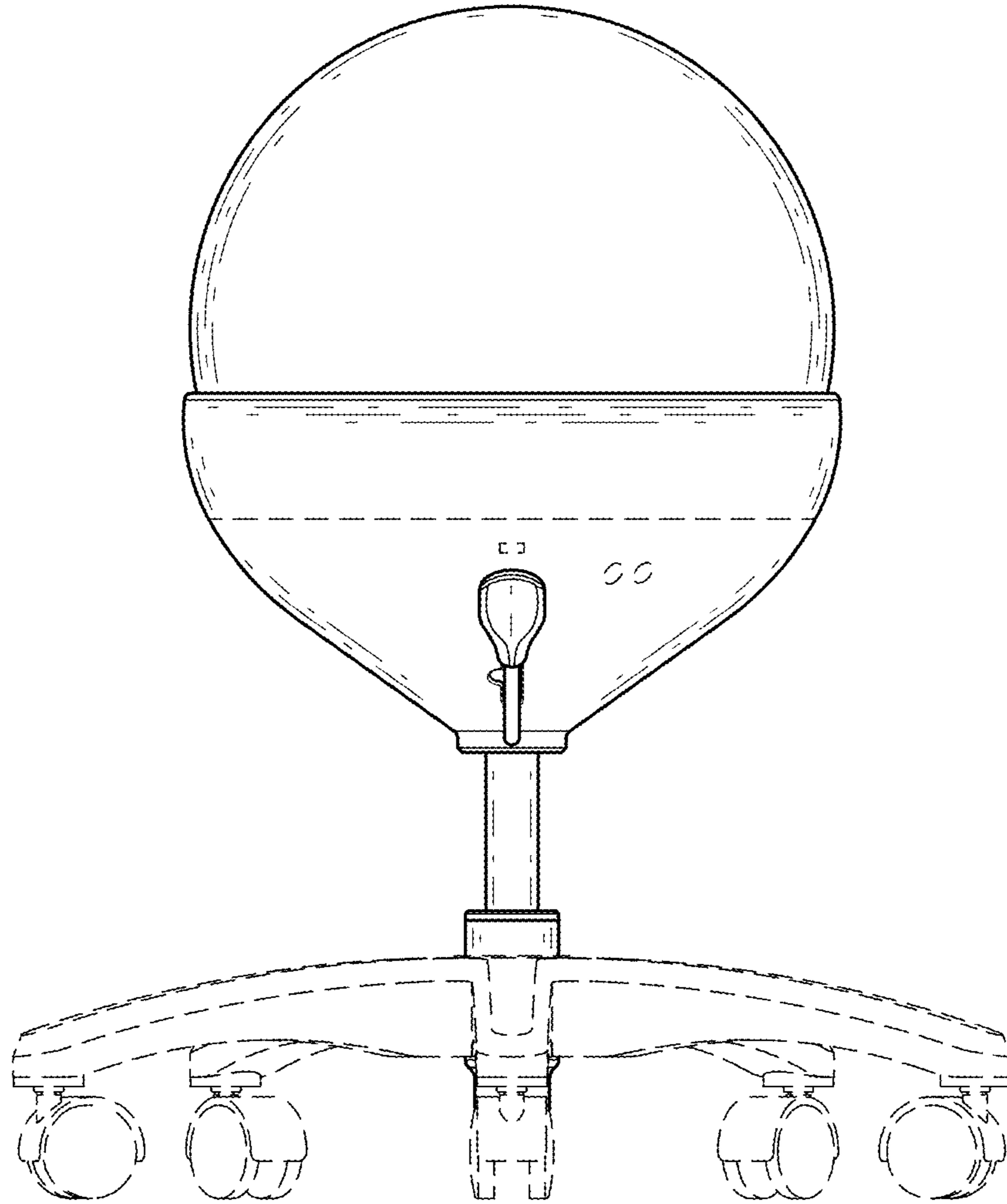


FIG.2

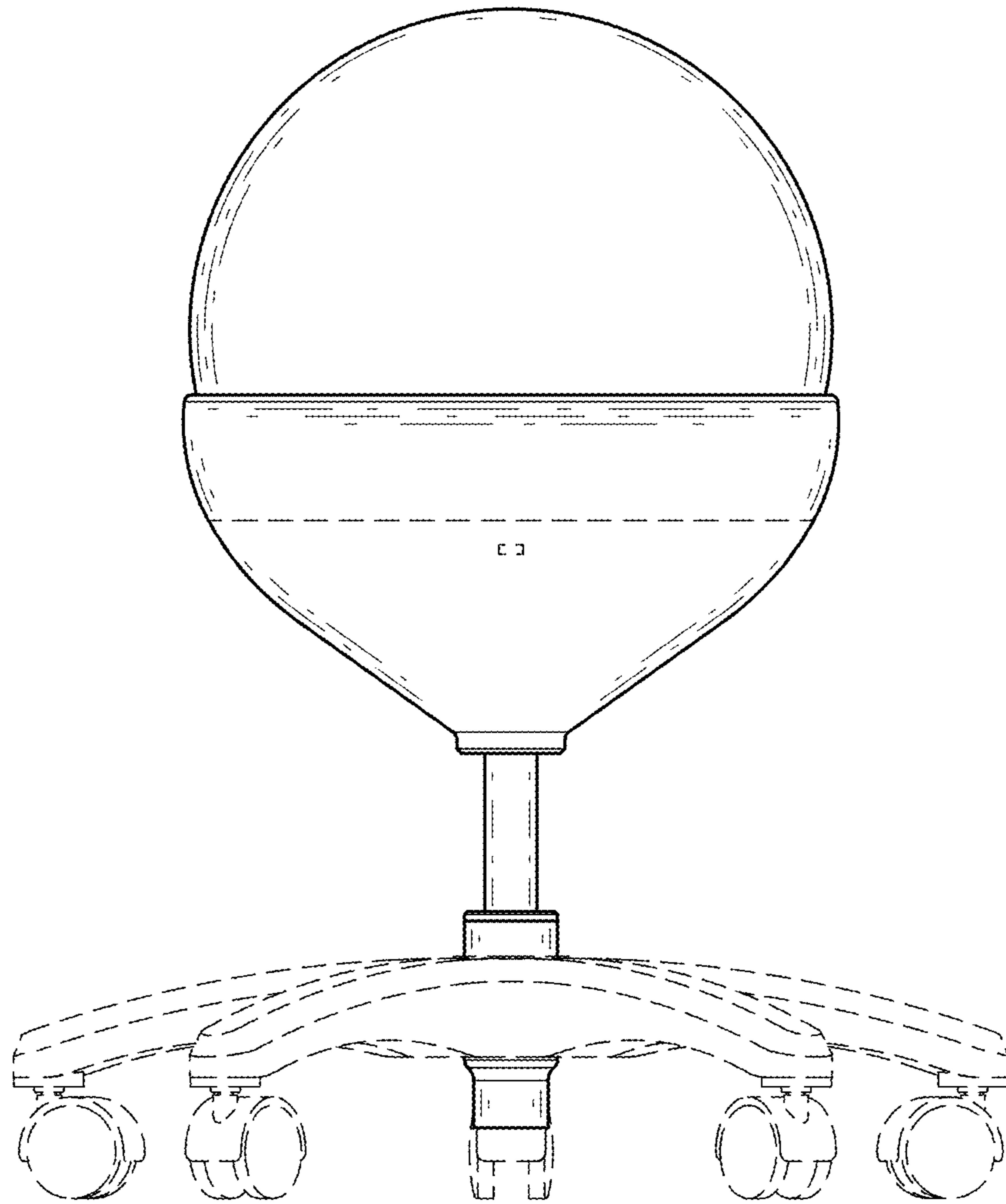


FIG.3

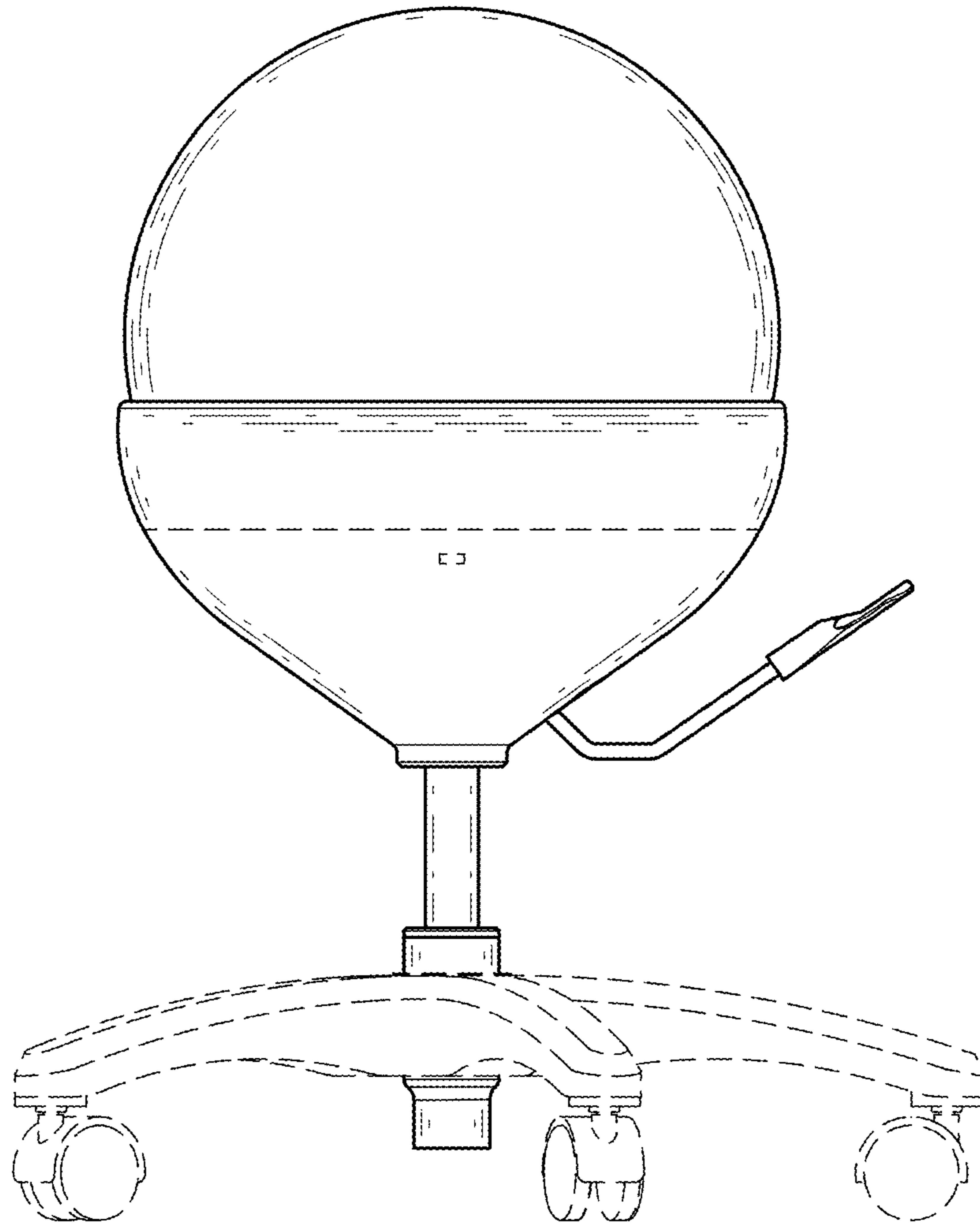


FIG.4

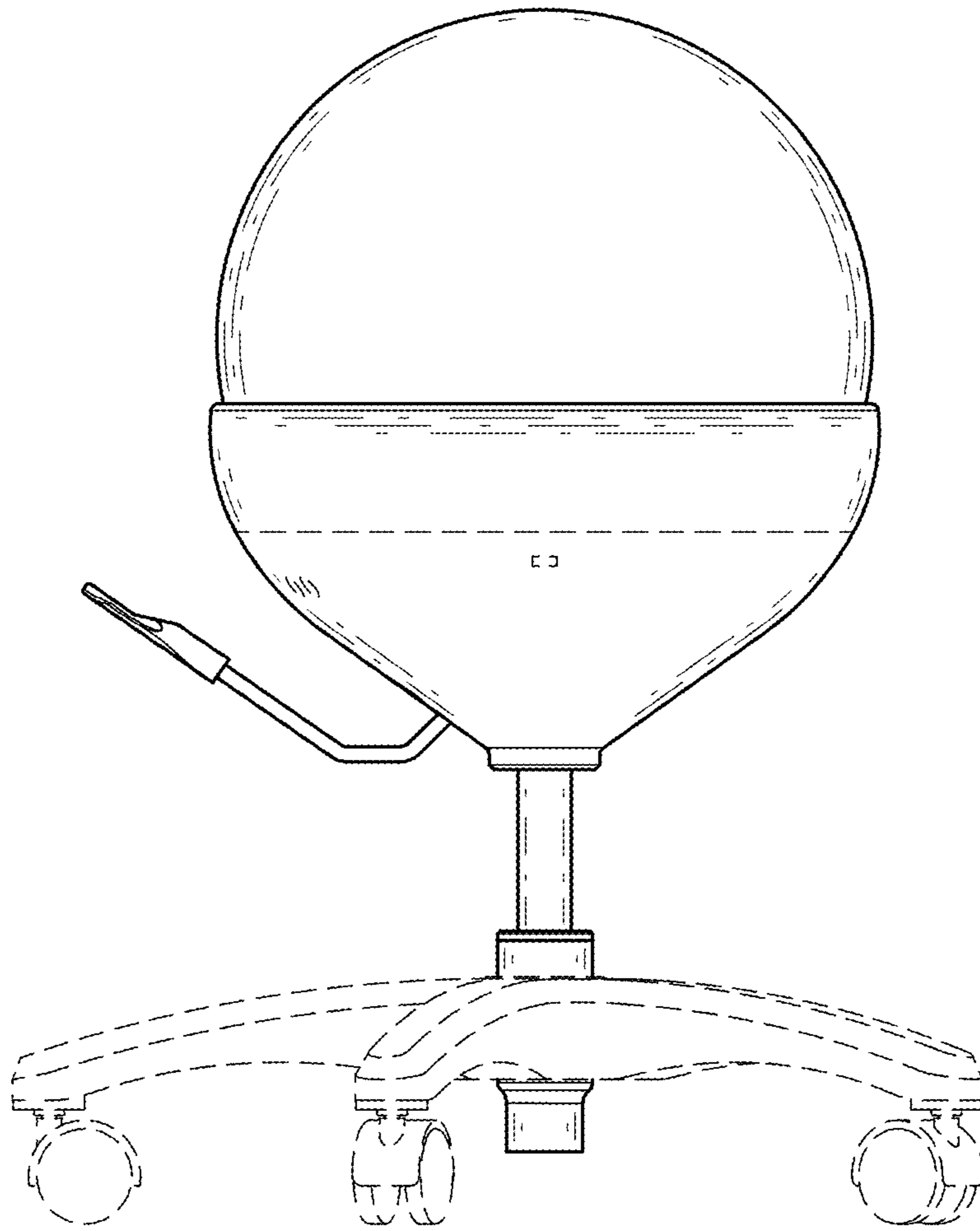


FIG.5

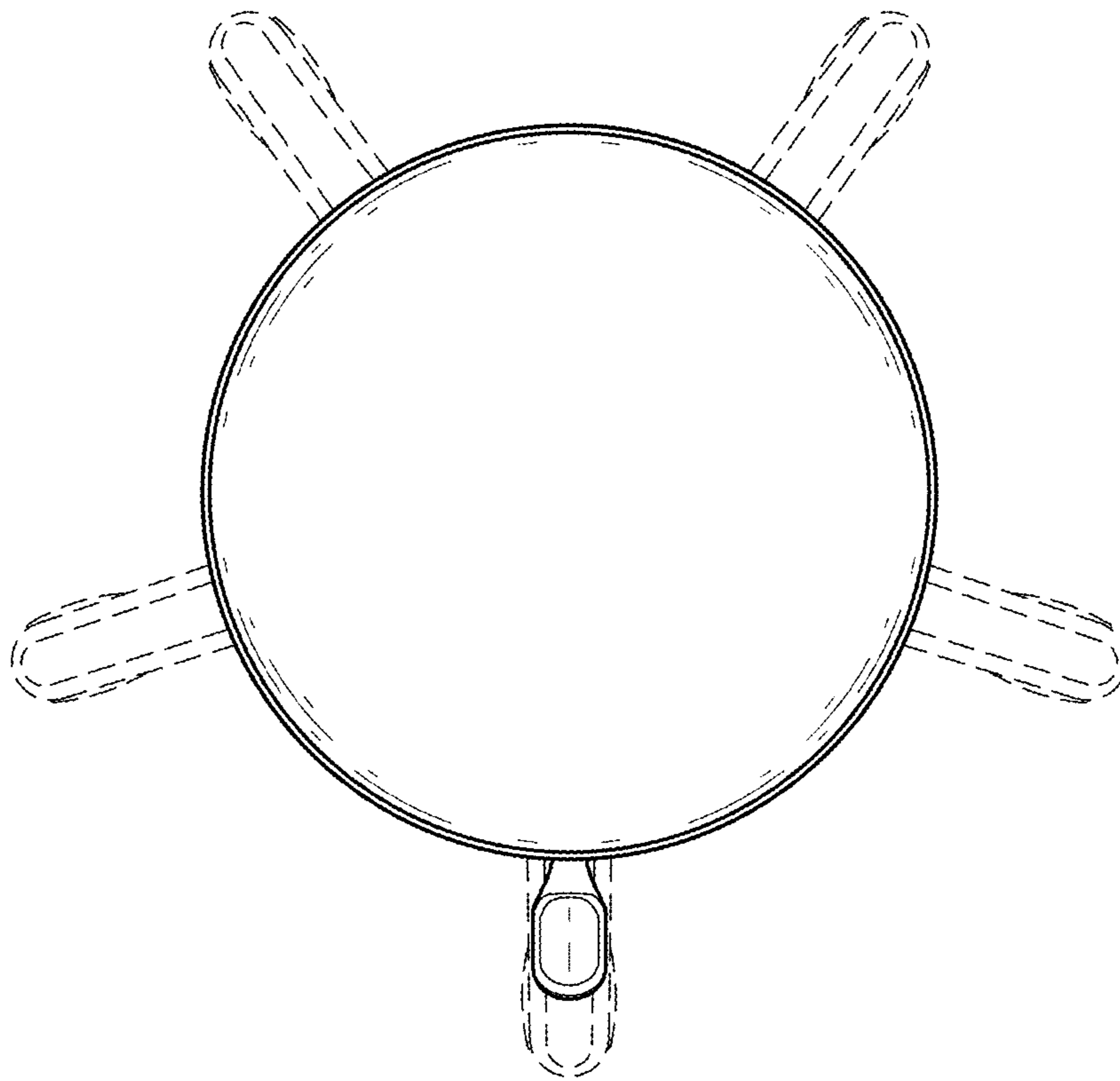


FIG.6

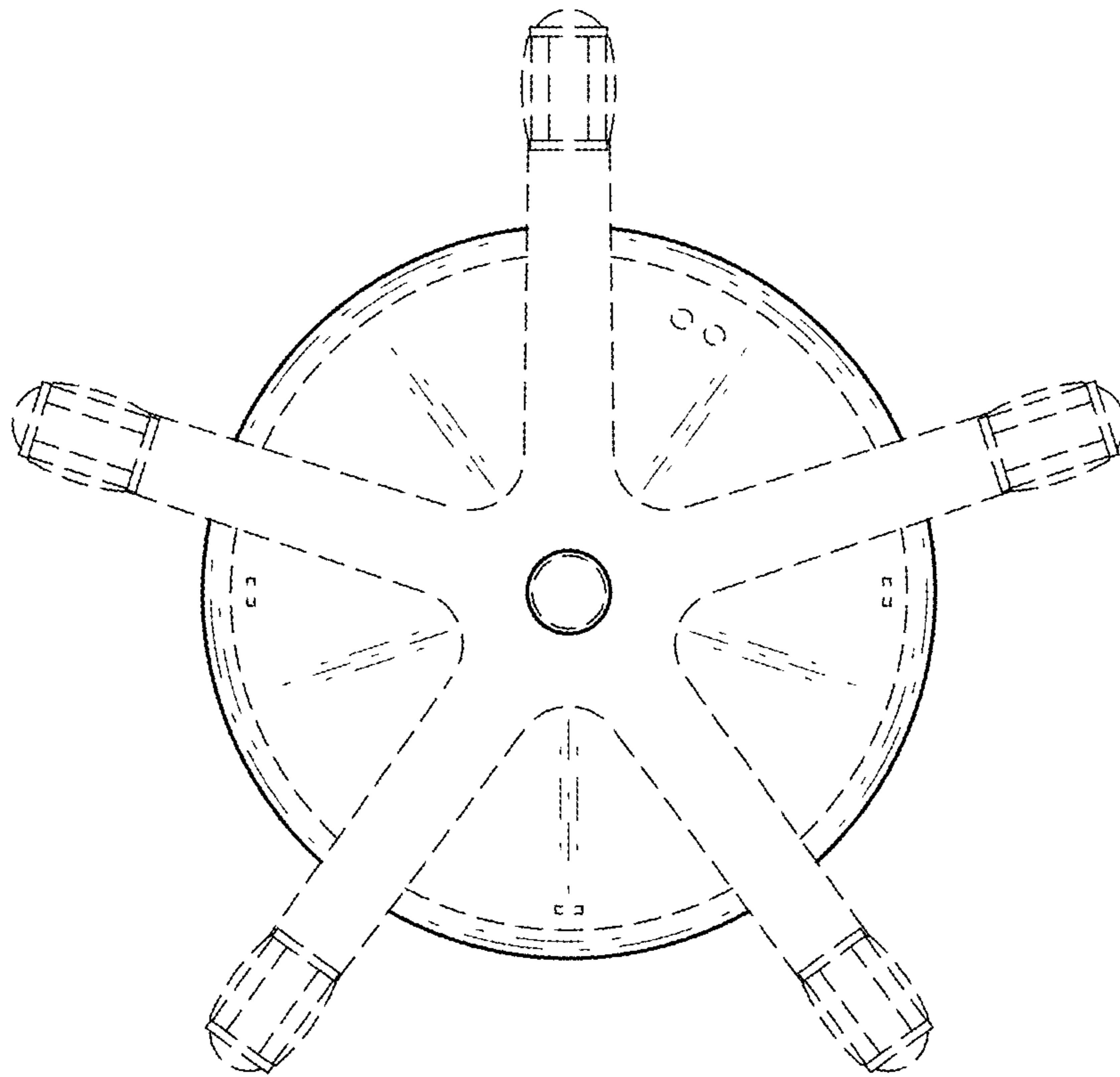


FIG. 7