



US00D889146S

(12) **United States Design Patent**
Gupta

(10) **Patent No.:** **US D889,146 S**
(45) **Date of Patent:** **** Jul. 7, 2020**

(54) **FOOTSTOOL WITH AN ARCHED TOP WITH SILICONE PADS**

(71) Applicant: **Anjum Gupta**, San Diego, CA (US)

(72) Inventor: **Anjum Gupta**, San Diego, CA (US)

(**) Term: **15 Years**

(21) Appl. No.: **29/680,200**

(22) Filed: **Feb. 14, 2019**

(51) **LOC (12) Cl.** **06-01**

(52) **U.S. Cl.**
USPC **D6/349**

(58) **Field of Classification Search**
USPC D6/334, 349–353, 355, 364–365,
D6/691–691.9, 692–692.6, 709, 710,
D6/716–716.1, 716.5, 719; D25/65
CPC A47B 7/00–02; A47C 11/00; A47C 12/00;
A47C 13/00; A47C 16/00; A47C
16/02–04; A47C 9/00–105; A47K 17/02;
A47K 17/028

See application file for complete search history.

(56) **References Cited**

U.S. PATENT DOCUMENTS

D637,439 S *	5/2011	Mettler	D6/601
D652,222 S *	1/2012	Edwards	D6/349
D677,478 S *	3/2013	Edwards	D6/349
9,307,879 B2 *	4/2016	Fagre	A47K 17/028
D766,604 S *	9/2016	Edwards	A47K 17/02
				D6/353
D767,291 S *	9/2016	Edwards	A47C 16/025
				D6/353
D787,846 S *	5/2017	Naik	D6/353
D797,466 S *	9/2017	Zioni	D6/353
D807,069 S *	1/2018	Konghe	D6/349
D834,341 S *	11/2018	Naik	D6/353

10,136,777 B2 *	11/2018	Naik	G08C 17/02
D840,166 S *	2/2019	Nethercott	D6/353
D840,167 S *	2/2019	Nethercott	D6/353
D842,618 S *	3/2019	Nethercott	D6/353
D847,521 S *	5/2019	Lisnic	D6/353
D854,840 S *	7/2019	Sato	D6/349
D873,040 S *	1/2020	Gupta	D6/349

OTHER PUBLICATIONS

Toilet Stool Squatty Potty Inch Bathroom Step. [online] Retrieved Jan. 30, 2020 from URL: <https://www.groupon.com/deals/gs-toilet-stool-squatty-potty-inch-bathroom-step-relax-squat-pregnant-aid>.*

* cited by examiner

Primary Examiner — Vy N Koenig

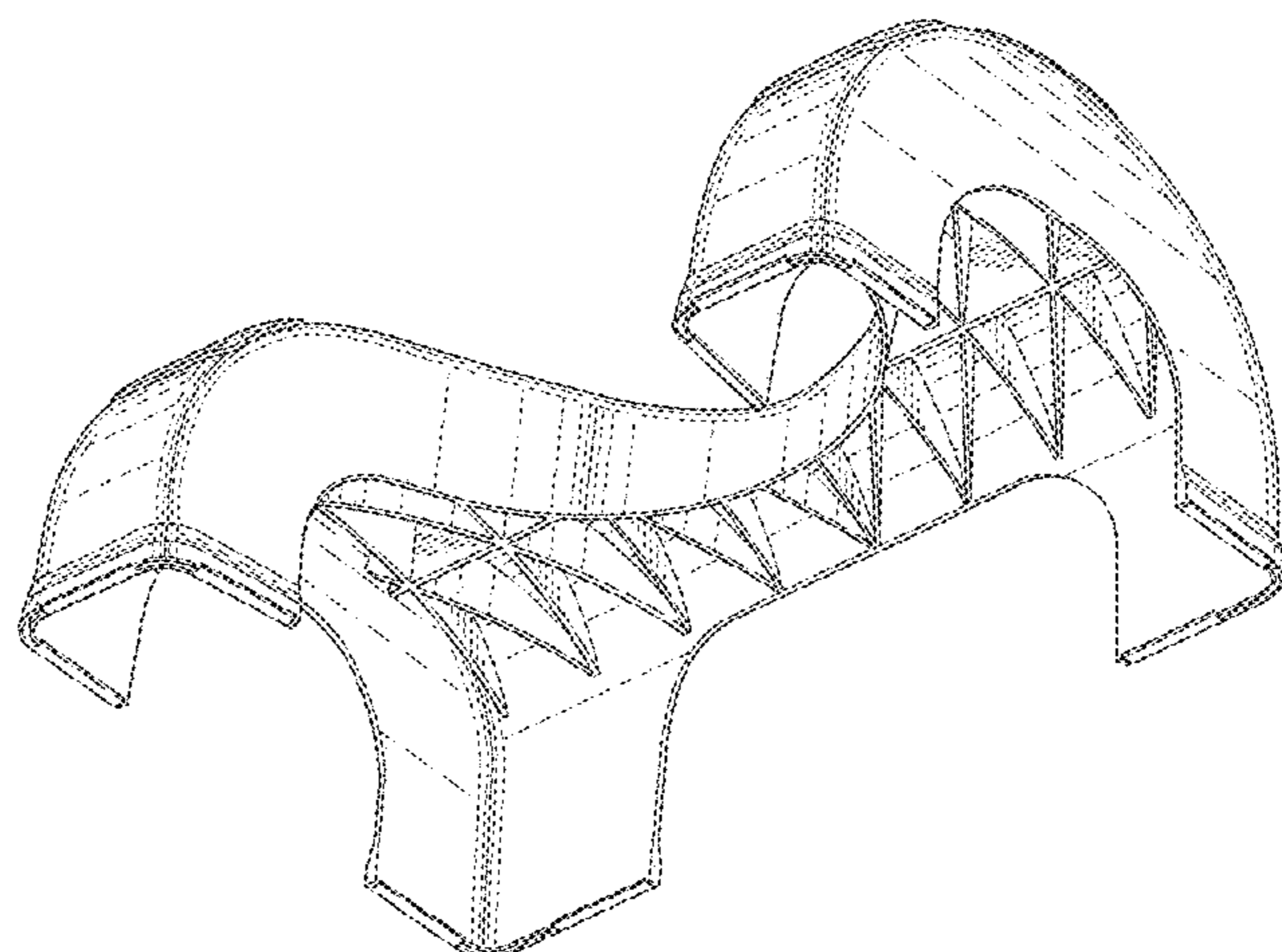
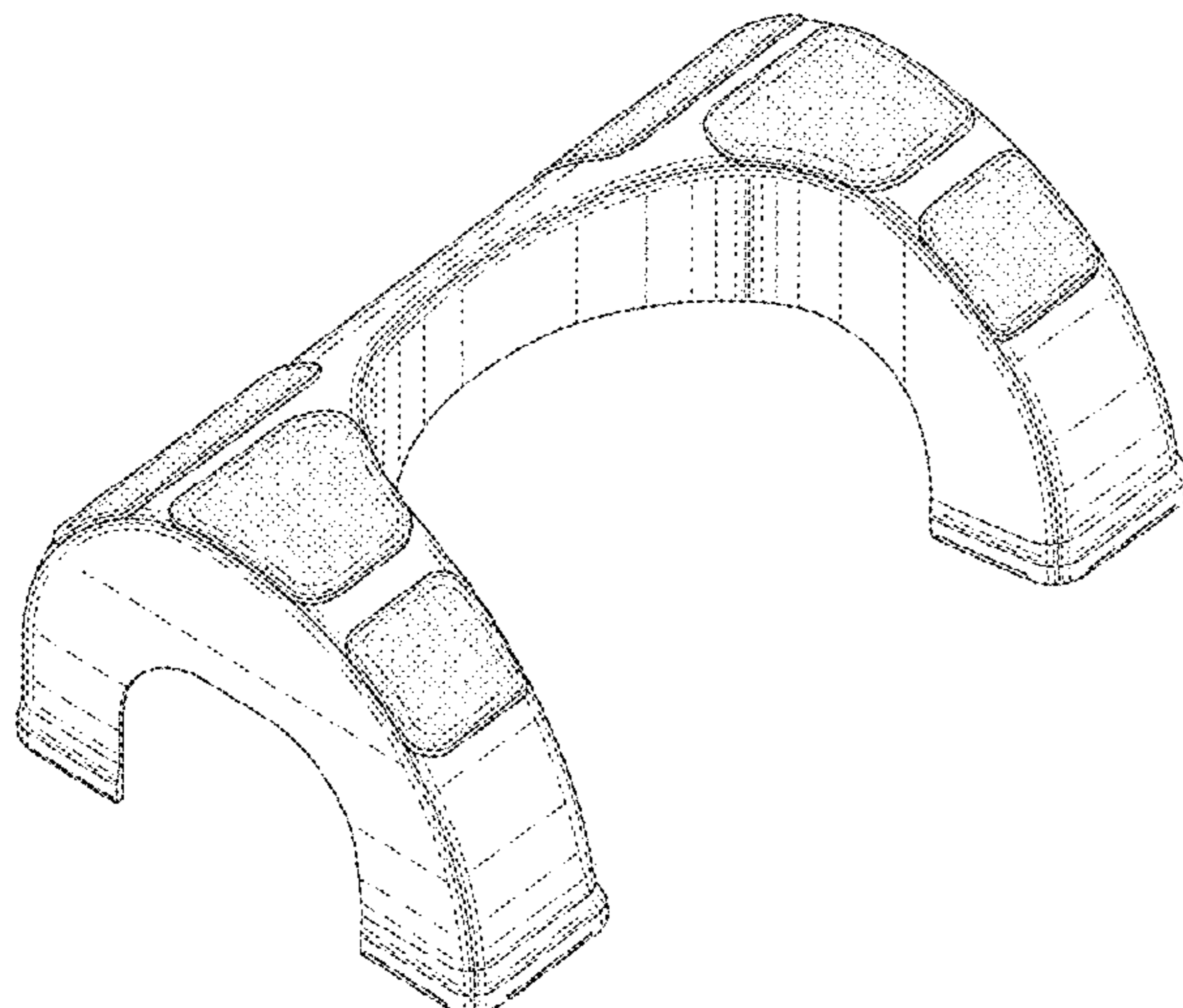
(57) **CLAIM**

The ornamental design for a footstool with an arched top with silicone pads, as shown.

DESCRIPTION

FIG. 1 is a top left back side perspective view of a footstool with an arched top with silicone pads;
 FIG. 2 is a bottom right back side perspective view of a footstool with an arched top with silicone pads;
 FIG. 3 is a front side perspective view of a footstool with an arched top with silicone pads;
 FIG. 4 is a back side perspective view of a footstool with an arched top with silicone pads;
 FIG. 5 is a left side perspective view of a footstool with an arched top with silicone pads;
 FIG. 6 is a right side perspective view of a footstool with an arched top with silicone pads;
 FIG. 7 is a top side perspective view of a footstool with an arched top with silicone pads; and,
 FIG. 8 is a bottom side perspective view of a footstool with an arched top silicone pads.

1 Claim, 6 Drawing Sheets



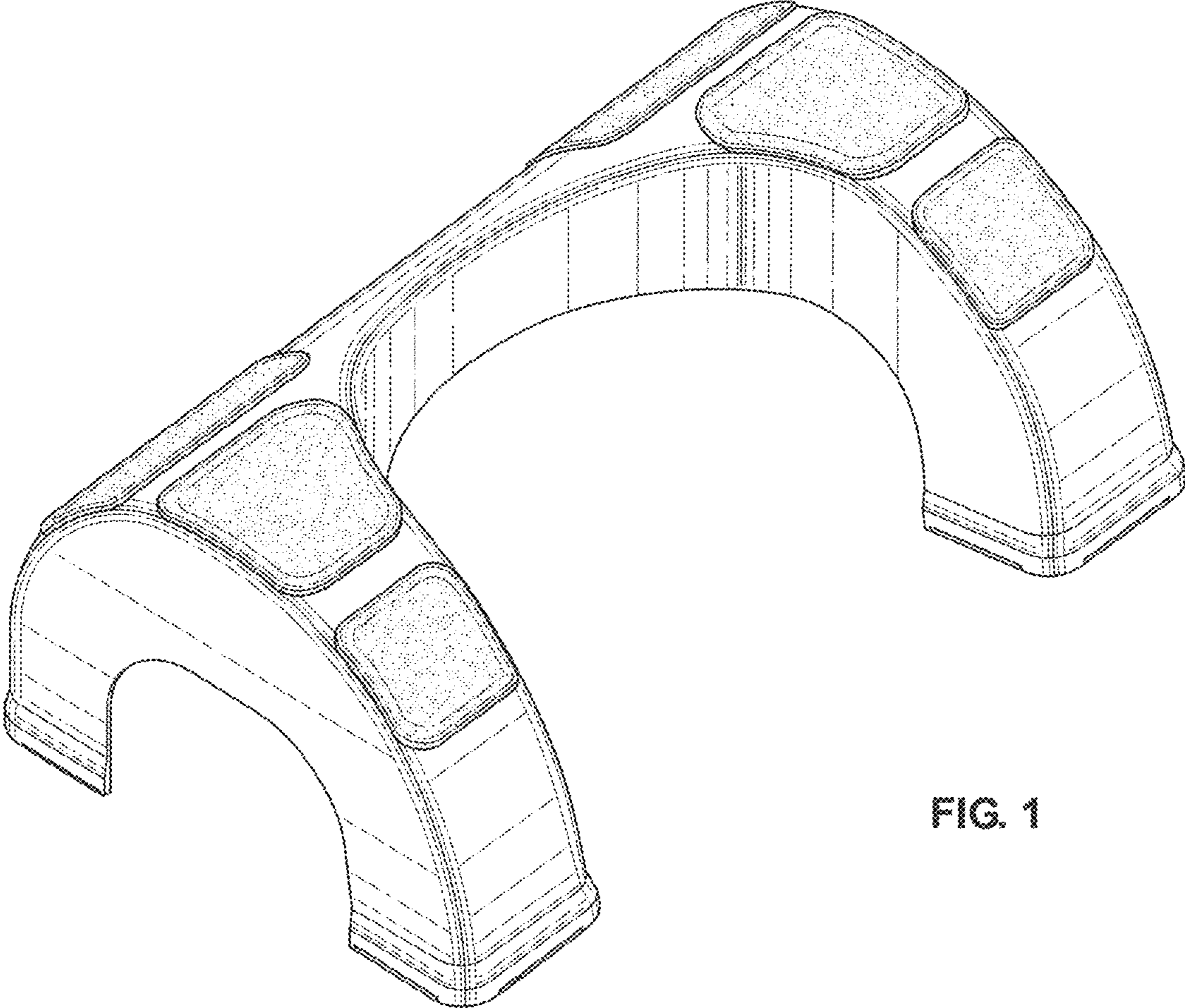
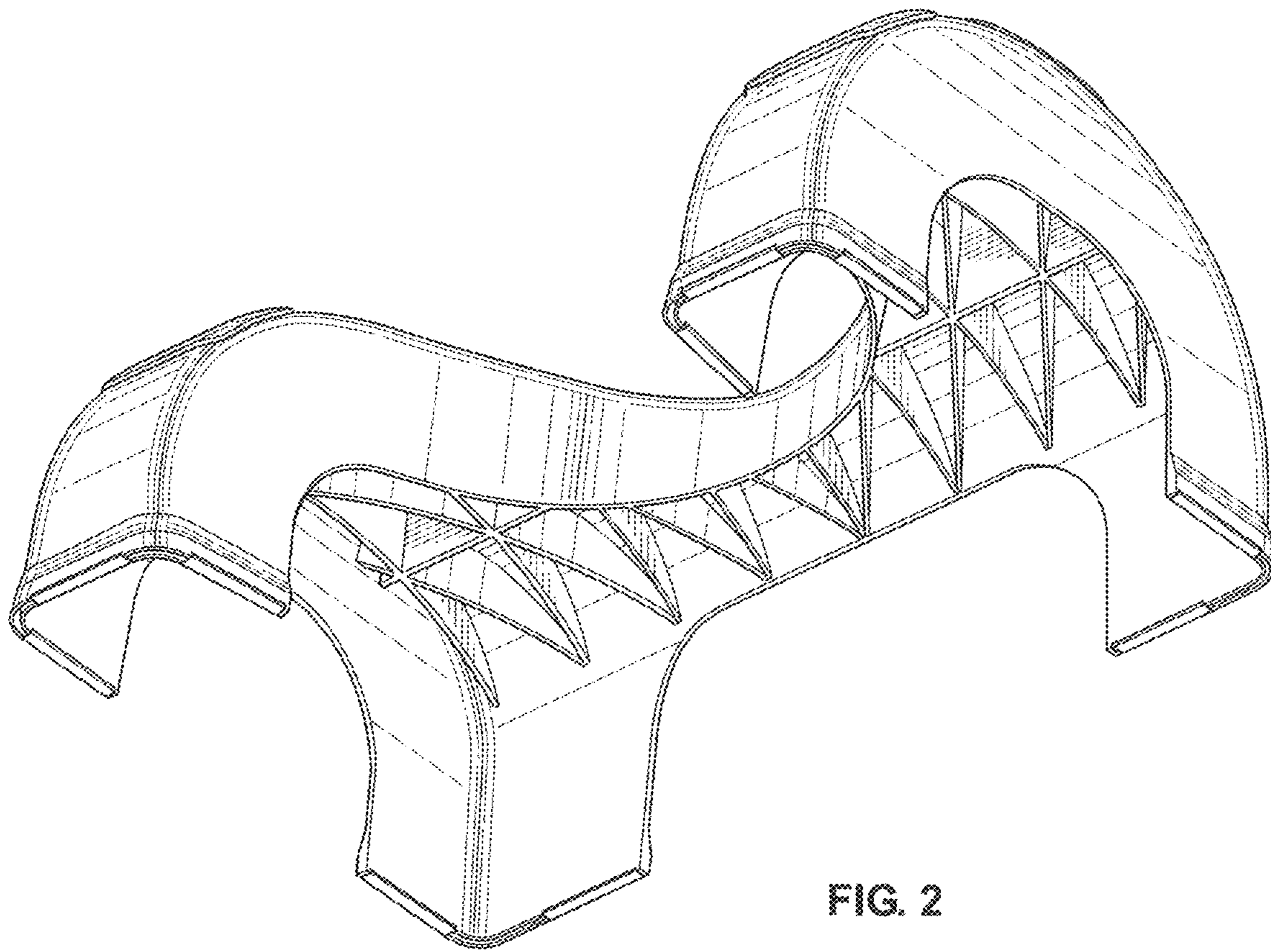


FIG. 1



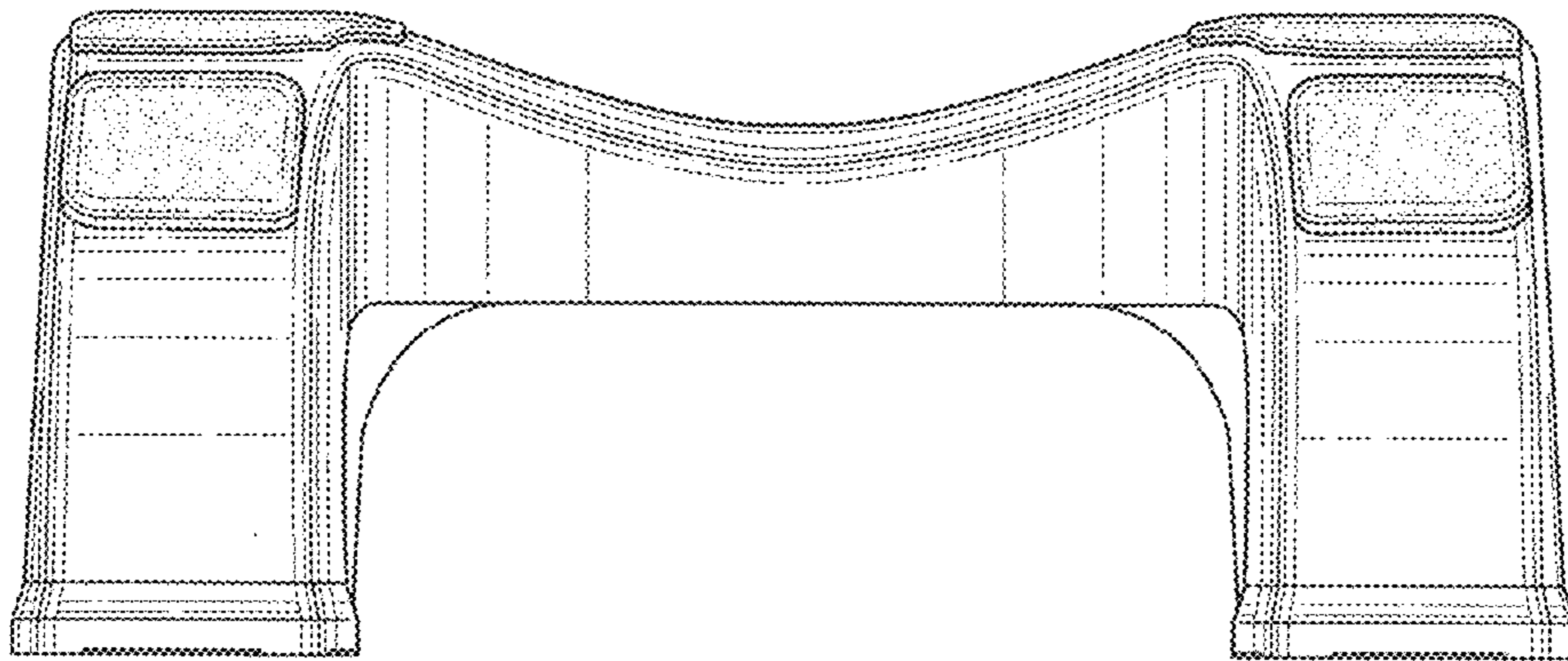


FIG. 3

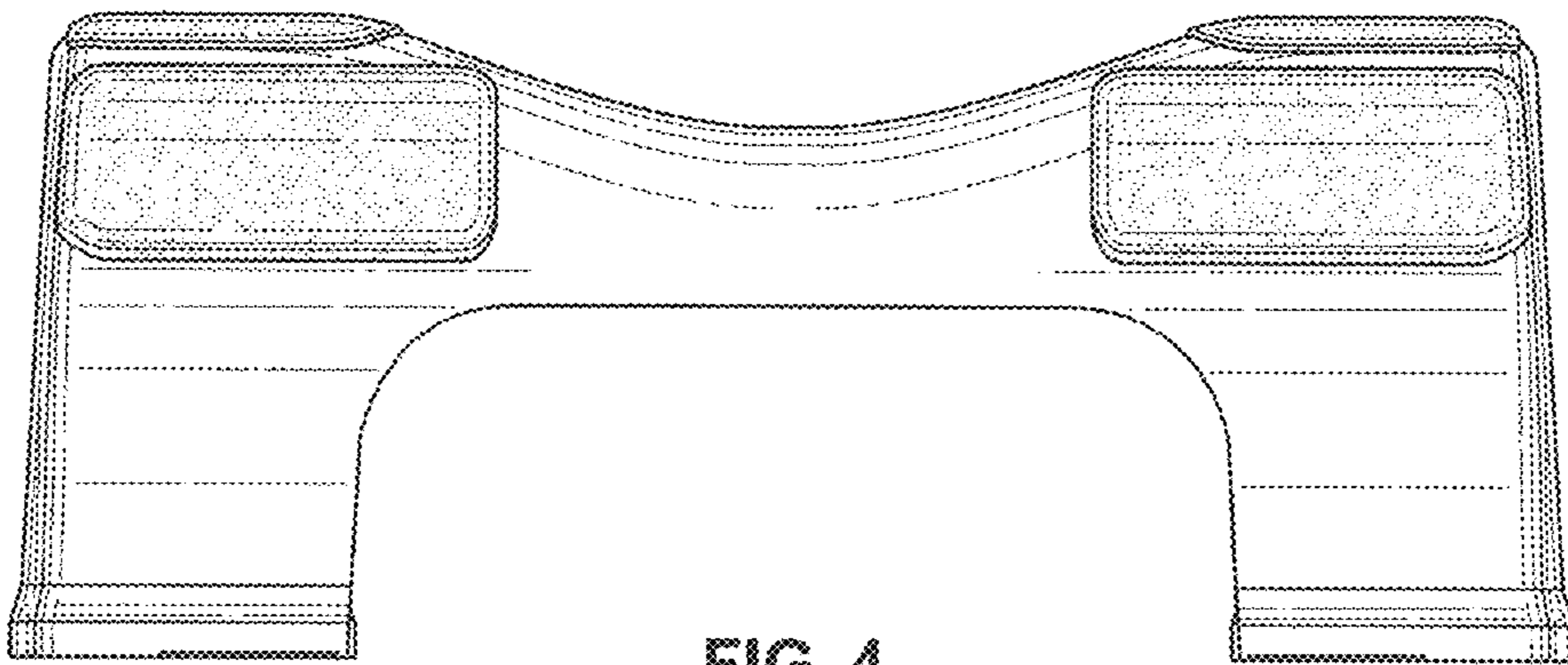


FIG. 4

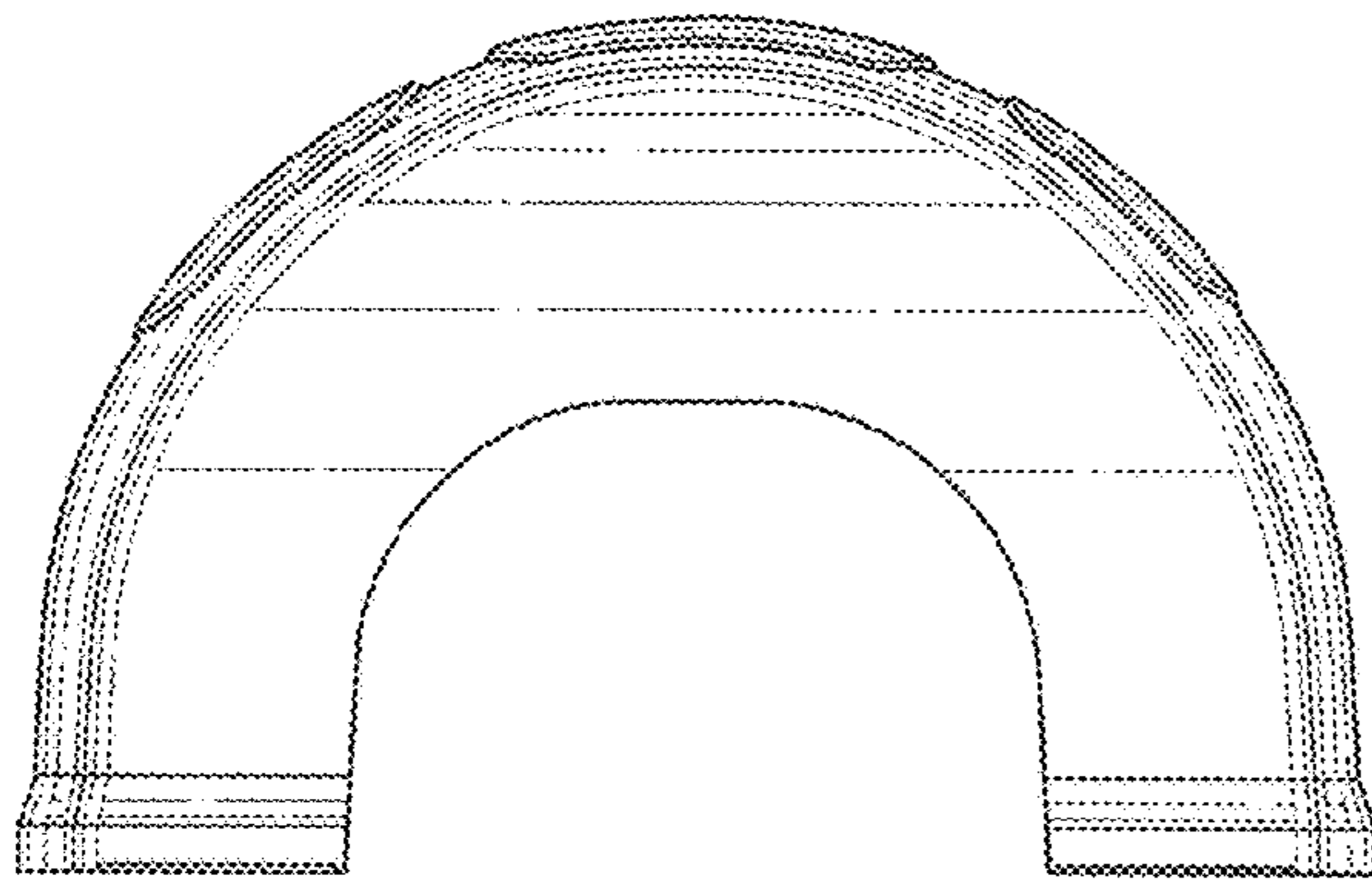


FIG. 5

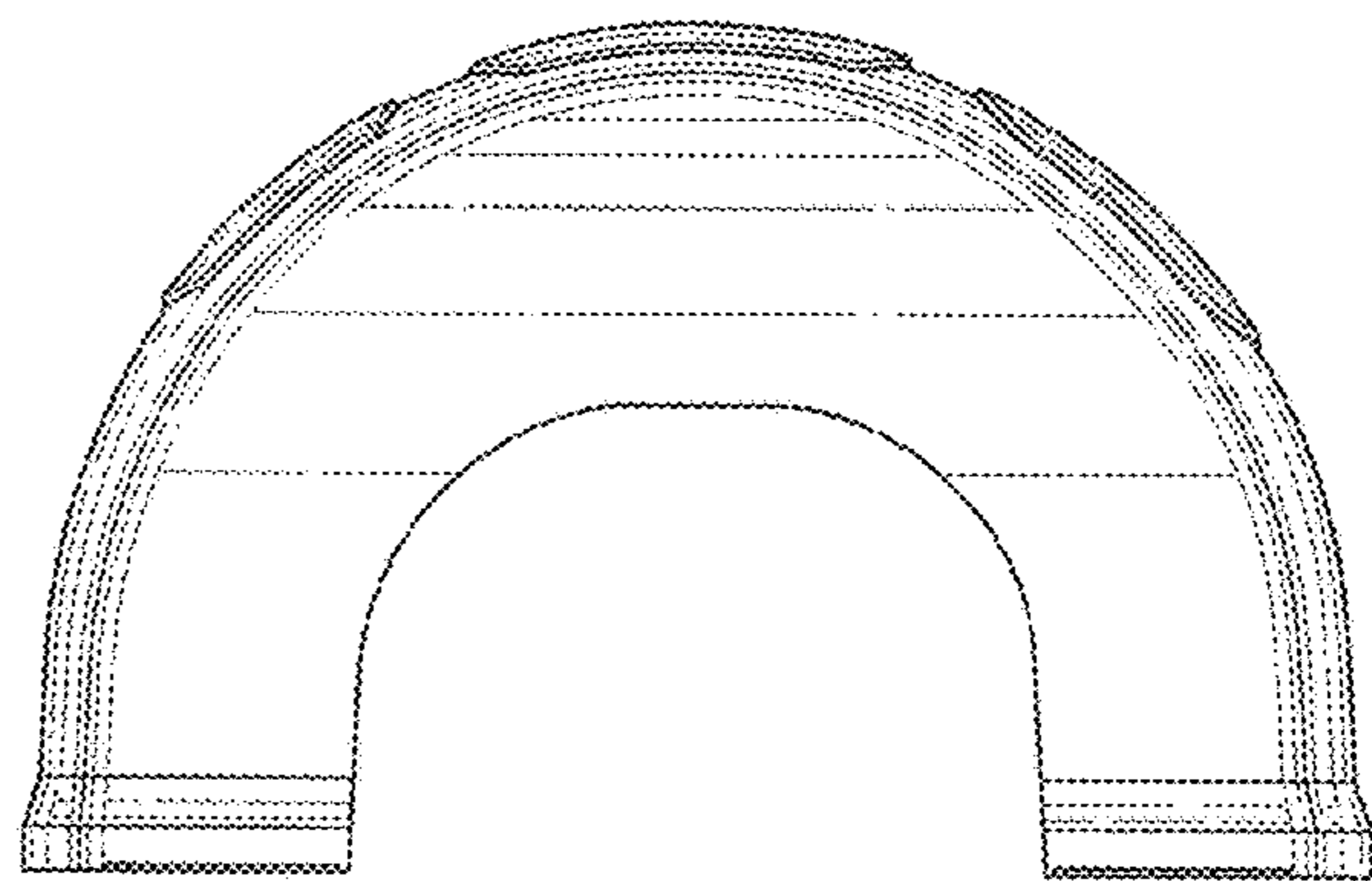


FIG. 6

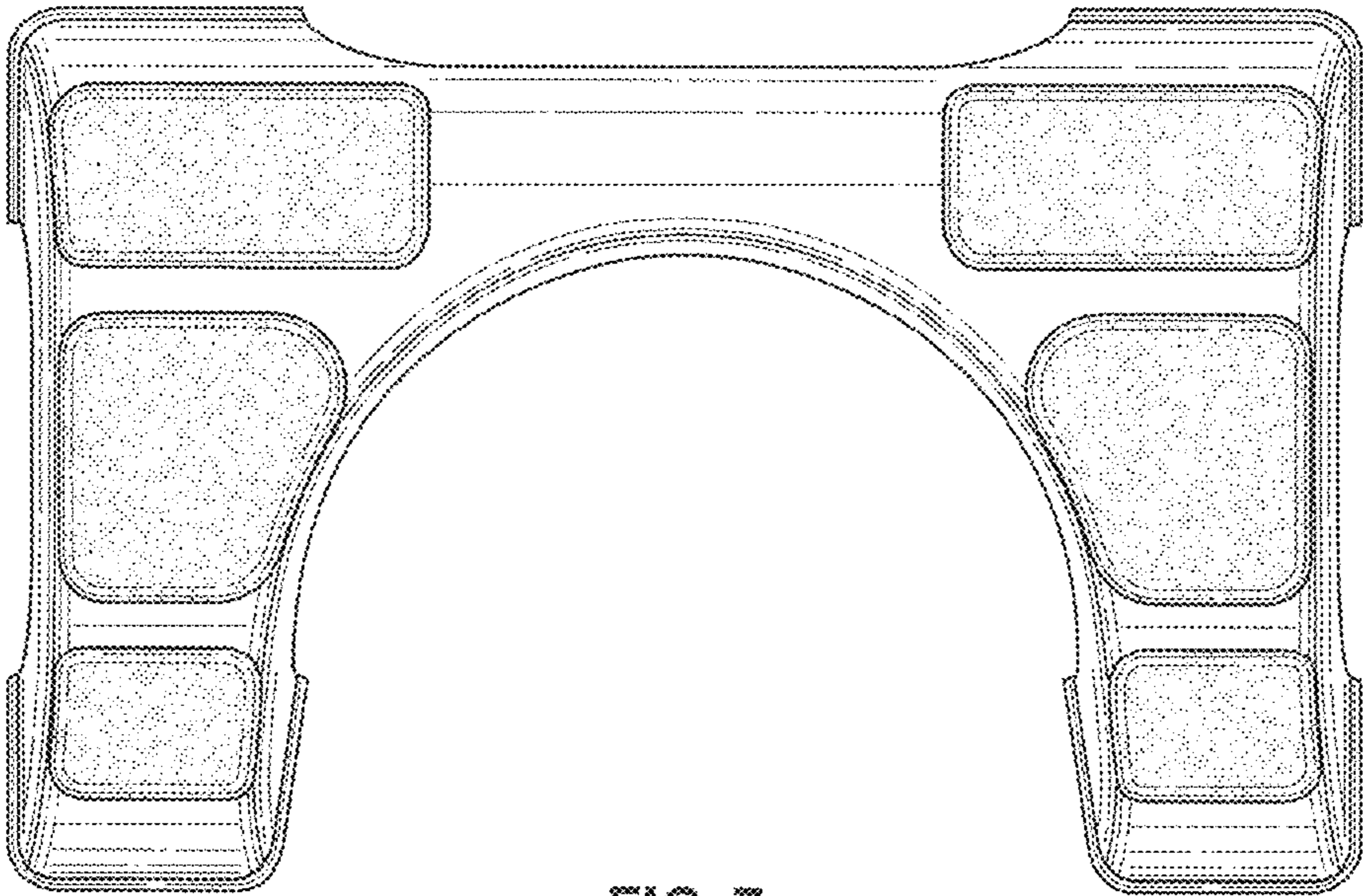


FIG. 7

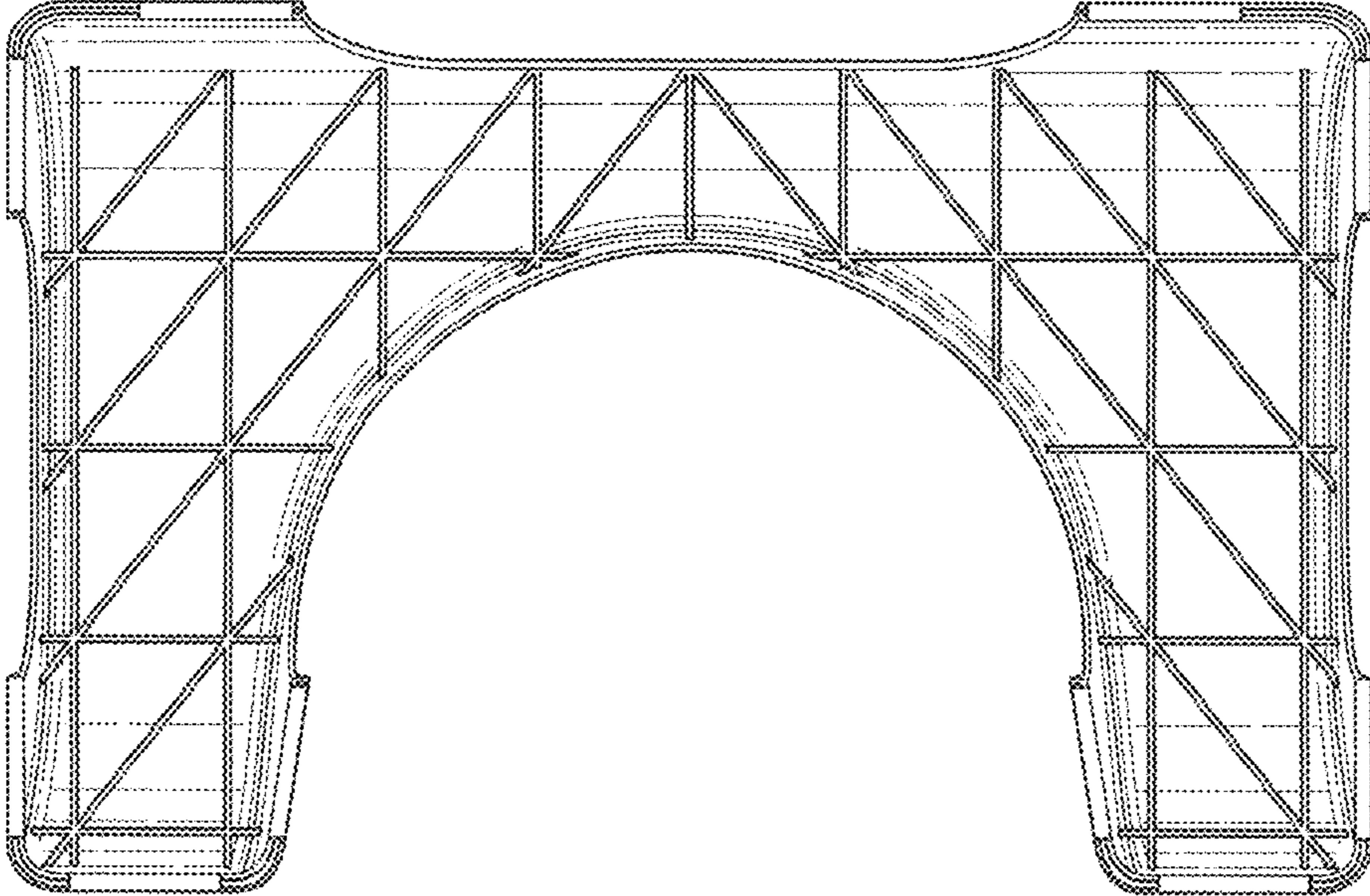


FIG. 8