



US00D889144S

(12) **United States Design Patent** (10) **Patent No.:** **US D889,144 S**  
**Wehner** (45) **Date of Patent:** **\*\* Jul. 7, 2020**

- (54) **FOOTBALL-SHAPED HANGING CHAIR**
- (71) Applicant: **Worldwide Creations, LLC**, Clio, MI (US)
- (72) Inventor: **Scott D. Wehner**, Clio, MI (US)
- (73) Assignee: **Worldwide Creations, LLC**, Clio, MI (US)
- (\*\*) Term: **15 Years**
- (21) Appl. No.: **29/711,856**
- (22) Filed: **Nov. 4, 2019**

2,796,877 A	6/1957	Berseth	
3,034,154 A	5/1962	Silverstone	
3,130,969 A	4/1964	Groth	
D198,779 S	8/1964	Bredon	
3,145,990 A	8/1964	Prouty	
3,186,711 A	6/1965	Morrow	
D206,176 S *	11/1966	Guarino et al. ....	D10/119.4
3,292,840 A *	12/1966	Schmidt .....	B65D 81/365 220/4.25
3,344,443 A	10/1967	Bounell	
D211,170 S *	5/1968	Carsello .....	D6/365
D212,801 S *	11/1968	Aarnie .....	D6/365
D215,926 S *	11/1969	Nawman .....	D6/640
3,528,657 A	9/1970	Krupsky	
D223,443 S *	4/1972	Glaser .....	D6/335
D232,500 S	8/1974	McGreevy et al.	
3,902,264 A	9/1975	Radig	
D239,509 S *	4/1976	Burroughs .....	D10/8
D241,105 S *	8/1976	Krieger et al. ....	D7/586
D243,044 S	1/1977	Pathman	
4,000,749 A	1/1977	Busco	
D245,924 S *	9/1977	Hansen .....	D25/35
D249,408 S	9/1978	Jackson	
D249,753 S	10/1978	Pratt	
D252,602 S	8/1979	Cirrone	
D254,458 S	3/1980	Wakefield	
4,258,951 A	3/1981	Groom	
D259,610 S	6/1981	Martin	
D263,663 S	4/1982	Moreau	
D266,040 S	9/1982	Cope	
D274,133 S	6/1984	Dillon	
D278,549 S	4/1985	Kristich	
4,526,307 A	7/1985	Parker	
4,550,456 A	11/1985	Allen	
D282,970 S	3/1986	Parkin	
4,838,292 A	6/1989	Allen	
D306,196 S	2/1990	Muirhead	
D315,644 S *	3/1991	White .....	D6/344
D323,535 S	1/1992	Foenander et al.	
5,097,545 A	3/1992	Hooi	
D331,158 S	11/1992	Hooi	
D332,741 S *	1/1993	Turner .....	473/596
D336,378 S	6/1993	Kittridge	
D340,078 S *	10/1993	Turner .....	D11/149
D346,070 S	4/1994	Kither	
D348,361 S	7/1994	Beecher	
5,439,016 A	8/1995	Grahn	
5,511,258 A	4/1996	Barr, Sr.	
D369,476 S	5/1996	Quill	
5,588,702 A	12/1996	Litwin	
D393,303 S	4/1998	Van Wagenen	
5,918,615 A	7/1999	Stuck, Sr.	
5,944,381 A	8/1999	Nguyen	

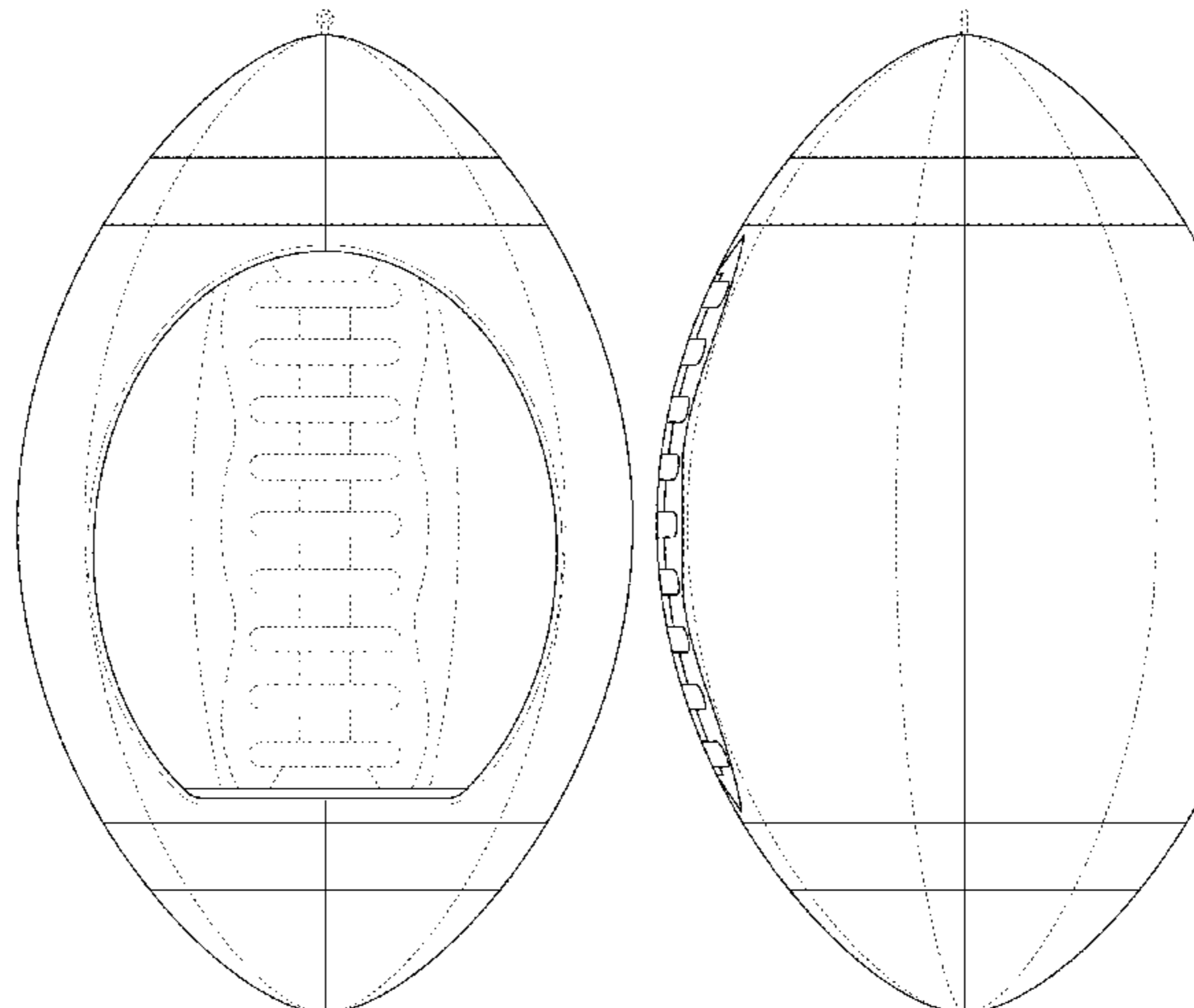
**Related U.S. Application Data**

- (60) Division of application No. 29/635,685, filed on Feb. 1, 2018, now Pat. No. Des. 865,383, which is a continuation-in-part of application No. 29/608,376, filed on Jun. 21, 2017, now Pat. No. Des. 829,454.
- (51) **LOC (12) Cl.** ..... **06-01**
- (52) **U.S. Cl.**  
USPC ..... **D6/345**
- (58) **Field of Classification Search**  
USPC ..... D6/334, 341, 342, 347, 360, 364, 365, D6/386, 387, 389, 643, 650, 677, 716, D6/718.1, 718.11, 344, 345, 369; D21/521, 797; D23/292; D12/52, 322; D7/515  
CPC .... A47C 3/02; A47C 3/12; A47C 3/18; A47C 3/26; A47C 3/0255; A47C 4/24; A47C 5/02; A47C 7/443; A47C 15/008; A47C 17/84; A47D 9/00; A47D 13/02; A47D 13/10; A47D 13/105; A63G 9/00; A63G 9/02; A45F 3/22; A45F 3/24; A45F 3/26  
See application file for complete search history.

(56) **References Cited**

**U.S. PATENT DOCUMENTS**

- 979,037 A 12/1910 Searle
- 1,646,716 A 10/1927 Wheeler
- 2,689,602 A 9/1954 Morgan



# US D889,144 S

D414,045 S	9/1999	Morrow	
D420,520 S *	2/2000	Johnston .....	D6/334
D421,034 S	2/2000	Shirley et al.	
6,401,404 B1	6/2002	Fillipp et al.	
D469,145 S	1/2003	Underwood	
D496,169 S	9/2004	Hightower	
D496,802 S	10/2004	Hightower	
D501,610 S	2/2005	Hightower	
6,848,740 B1	2/2005	Reese	
D503,554 S	4/2005	Kay	
D503,555 S	4/2005	Hightower	
D507,706 S	7/2005	Lo	
D515,830 S	2/2006	Zheng	
D516,825 S	3/2006	Zheng	
D516,826 S	3/2006	Zheng	
D517,819 S	3/2006	Zheng	
D519,011 S *	4/2006	Lister .....	D8/38
D522,260 S	6/2006	Strachan	
D536,888 S	2/2007	Dykstra	
D538,545 S	3/2007	Zimmermann	
D539,048 S	3/2007	Zimmermann	
D539,049 S	3/2007	Zimmermann	
D539,050 S	3/2007	Zimmermann	
7,204,549 B1	4/2007	Zeng	
D541,552 S	5/2007	Weldon	
D558,293 S	12/2007	Brumbach et al.	
D565,125 S	3/2008	Collier	
7,367,068 B2	5/2008	Huff	
7,380,880 B2	6/2008	Molen	
7,404,601 B2	7/2008	Chen	
D575,079 S	8/2008	Hirsh	
D577,774 S	9/2008	Lo et al.	
D589,765 S *	4/2009	Zuloff .....	D7/515
D596,675 S	7/2009	Roman Moreno	
D609,987 S	2/2010	Moman	
7,967,374 B2	6/2011	Akkad	
D660,034 S	5/2012	Frey et al.	
D660,608 S	5/2012	Hasman	
D677,914 S	3/2013	Cardenas	
D679,104 S	4/2013	Pouzet	
D682,565 S	5/2013	McDonald	
D692,083 S	10/2013	Toland	
D698,696 S	2/2014	McBurney et al.	
D702,449 S	4/2014	Puotiniemi	
D714,868 S *	10/2014	Nash .....	D19/86
D720,148 S *	12/2014	Urquiola .....	D6/369
9,067,146 B1	6/2015	Cordray	
9,095,204 B2	8/2015	Ou	
D738,123 S	9/2015	Wu	
D738,128 S	9/2015	Paslowski	
D738,637 S	9/2015	Dean	
D759,396 S *	6/2016	Wehner .....	D6/347
D760,506 S	7/2016	McDonald	
9,440,154 B1	9/2016	Cordray et al.	
9,468,284 B2	10/2016	Wehner	
D781,061 S	3/2017	Merritt	
9,630,119 B2	4/2017	Fries et al.	
D787,842 S	5/2017	Lenton	
9,713,372 B1	7/2017	Chen	
D796,865 S	9/2017	Haug	
D800,508 S	10/2017	Peters	
9,861,181 B2	1/2018	Wehner	
D810,222 S *	2/2018	Howeler .....	D21/823
D814,813 S	4/2018	Hassman	
D817,013 S	5/2018	Hassman	
D819,348 S	6/2018	Hassman	
D819,989 S	6/2018	Hassman	
D820,606 S	6/2018	Hassman	
D829,454 S	10/2018	Wehner	
D843,106 S *	3/2019	Price .....	D3/202
D853,792 S *	7/2019	Cramton .....	D7/515
10,398,214 B2 *	9/2019	Wehner .....	A45F 3/26
D865,383 S *	11/2019	Wehner .....	D6/347
2003/0024448 A1	2/2003	Lieberman	
2003/0057754 A1	3/2003	Snyders	
2003/0140417 A1	7/2003	Huff	
2005/0108821 A1	5/2005	Gardner	
2007/0283611 A1	12/2007	Laurent et al.	
2008/0060128 A1	3/2008	Forshpan	

2008/0203774 A1	8/2008	Hemetsberger
2010/0252083 A1	10/2010	Ogle
2011/0254334 A1	10/2011	Phillips
2012/0178543 A1	7/2012	Monachello
2012/0193248 A1 *	8/2012	Geter .....
		A47G 23/0216
		206/217
2015/0018108 A1	1/2015	Lacy et al.
2015/0030790 A1	1/2015	Duncan, III
2016/0107095 A1	4/2016	Fries et al.
2017/0234025 A1	8/2017	Bottomo et al.

## FOREIGN PATENT DOCUMENTS

EM	000963707-0001	7/2008
EM	000963707-0002	7/2008

## OTHER PUBLICATIONS

Internet Archive Wayback Machine capture of The Floating Bed, <https://web.archive.org/web/20030512020135/http://www.floatingbed.com:80/bigger-view/outdoor-tent-bed-tree.html> <<https://web.archive.org/web/20030512020135/http://www.floatingbed.com:80/bigger-view/outdoor-tent-bed-tree.html>>, capture dated May 12, 2003, print-out dated Aug. 16, 2017.

Internet Archive Wayback Machine's capture of the Floating Bed, <https://web.archive.org/web/20030513102711/http://www.floatingbed.com:80/bigger-view/outdoor-tent-bed.html> <<https://web.archive.org/web/20030513102711/http://www.floatingbed.com:80/bigger-view/outdoor-tent-bed.html>>, capture dated May 13, 2003, print-out dated Aug. 16, 2017.

National Archives and Records Administration, Gabe Gobin, an Indian logger, in front of his home. Tulalip Reservation, Washington, <[https://commons.wikimedia.org/wiki/File:Gabe\\_Gobin,\\_an\\_Indian\\_logger,\\_in\\_front\\_of\\_his\\_home,\\_Tulalip\\_Reservation,\\_Washington,\\_1916\\_-\\_NARA\\_-\\_518929.tif](https://commons.wikimedia.org/wiki/File:Gabe_Gobin,_an_Indian_logger,_in_front_of_his_home,_Tulalip_Reservation,_Washington,_1916_-_NARA_-_518929.tif)>, created Dec. 31, 1915, print-out dated Aug. 22, 2017.

Wikipedia, Weaver Nest in Malaysia, [https://en.wikipedia.org/wiki/Ploceidae#/media/File:Weaver\\_Nest.jpg](https://en.wikipedia.org/wiki/Ploceidae#/media/File:Weaver_Nest.jpg) <[https://en.wikipedia.org/wiki/Ploceidae#/media/File:Weaver\\_Nest.jpg](https://en.wikipedia.org/wiki/Ploceidae#/media/File:Weaver_Nest.jpg)>, created Mar. 28, 2013, print-out dated Aug. 22, 2017.

Fine Mod Imports Euro Aarnio Style Bubble Hanging Chair, [www.instylemodern.com/Eero-Aarnio-Style-Bubble-Hanging-Chair-White-Cushi-p/1122-white-with-stand.htm](http://www.instylemodern.com/Eero-Aarnio-Style-Bubble-Hanging-Chair-White-Cushi-p/1122-white-with-stand.htm) <<http://www.instylemodern.com/Eero-Aarnio-Style-Bubble-Hanging-Chair-White-Cushi-p/1122-white-with-stand.htm>>, captured on Jun. 29, 2018.

ACME 2-Piece All Star Set Chair and Ottoman, Baseball, [www.amazon.com/05528-2-Piece-Chair-Ottoman-Baseball/dp/B004H6UYAE](http://www.amazon.com/05528-2-Piece-Chair-Ottoman-Baseball/dp/B004H6UYAE) <<http://www.amazon.com/05528-2-Piece-Chair-Ottoman-Baseball/dp/B004H6UYAE>>, captured Jun. 29, 2018.

Coaster Kid's Swivel Chair and Ottoman Set, Basketball Design, [www.amazon.com/Coaster-Swivel-Ottoman-Basketball-2-Pieces/dp/B000W18UHA](http://www.amazon.com/Coaster-Swivel-Ottoman-Basketball-2-Pieces/dp/B000W18UHA) <<http://www.amazon.com/Coaster-Swivel-Ottoman-Basketball-2-Pieces/dp/B000W18UHA>>, captured on Jun. 29, 2018.

Fine Mod Imports Egg Hanging Chair, [www.finemodimports.com/Egg\\_Hanging\\_Chair\\_p/fmi2208.htm](http://www.finemodimports.com/Egg_Hanging_Chair_p/fmi2208.htm) <[http://www.finemodimports.com/Egg\\_Hanging\\_Chair\\_p/fmi2208.htm](http://www.finemodimports.com/Egg_Hanging_Chair_p/fmi2208.htm)>, captured on Jun. 29, 2018.

Design Market Nanna Ditzel Egg Chair, [www.design-mkt.com/154-egg-hanging-chair-nanna-ditzel-1959.html](http://www.design-mkt.com/154-egg-hanging-chair-nanna-ditzel-1959.html) <<http://www.design-mkt.com/154-egg-hanging-chair-nanna-ditzel-1959.html>>, captured Jun. 29, 2018.

Wildon Home Kid's Football Chair and Ottoman Set, [www.amazon.com/Kids-Football-Chair-Ottoman-Set/dp/B00XYTD5FG/](http://www.amazon.com/Kids-Football-Chair-Ottoman-Set/dp/B00XYTD5FG/) <<http://www.amazon.com/Kids-Football-Chair-Ottoman-Set/dp/B00XYTD5FG/>>, captured Jun. 29, 2018.

Wicker Hanging Swing Patio Bed, [www.karimunjawaadventure.com/item-detail/wicker-hanging-swing-patio-bed-swing-steel-garden-swing.html](http://www.karimunjawaadventure.com/item-detail/wicker-hanging-swing-patio-bed-swing-steel-garden-swing.html) <<http://www.karimunjawaadventure.com/item-detail/wicker-hanging-swing-patio-bed-swing-steel-garden-swing.html>>, captured Jun. 29, 2018.

Football Hanging Chair on Alibaba, [www.alibaba.com/product-detail/football-design-swing-hang-chair-outdoor\\_60325860005.html](http://www.alibaba.com/product-detail/football-design-swing-hang-chair-outdoor_60325860005.html)

spm=a2700.galleryofferlist.normalList.23.5f287b1802IByl <[http://www.alibaba.com/product-detail/football-design-swing-hang-chair-outdoor\\_60325860005.html?spm=a2700.galleryofferlist.normalList.23.5f287b1802IByl](http://www.alibaba.com/product-detail/football-design-swing-hang-chair-outdoor_60325860005.html?spm=a2700.galleryofferlist.normalList.23.5f287b1802IByl)>, captured Jun. 29, 2018.

Round Rattan Outdoor Bed, [gptoparts.en.alibaba.com/product/60149906396-221138431/Round\\_rattan\\_outdoor\\_bed\\_outdoor\\_swing\\_bed\\_round\\_hanging\\_bed\\_round.html?spm=a2700.8304367.prewdfa4cf.1.576f3e26neSEBx](http://gptoparts.en.alibaba.com/product/60149906396-221138431/Round_rattan_outdoor_bed_outdoor_swing_bed_round_hanging_bed_round.html?spm=a2700.8304367.prewdfa4cf.1.576f3e26neSEBx), captured Jun. 29, 2018.

Round Egg Straight Hanging Chair, [gptoparts.en.alibaba.com/product/60194886386-221138431/Outdoor\\_Wicker\\_Patio\\_Furniture\\_Round\\_Egg\\_Straight\\_Hanging\\_Chair\\_NEW\\_.html?spm=a2700.8304367.prewdfa4cf.16.e5203e27WgVkmb](http://gptoparts.en.alibaba.com/product/60194886386-221138431/Outdoor_Wicker_Patio_Furniture_Round_Egg_Straight_Hanging_Chair_NEW_.html?spm=a2700.8304367.prewdfa4cf.16.e5203e27WgVkmb), captured Jun. 29, 2018.

Swing Hanging Chair, [gptoparts.en.alibaba.com/product/60134002497-221138431/Swing\\_hanging\\_chair\\_cheap\\_material\\_PE\\_rattan\\_popular\\_in\\_many\\_countries.html?spm=a2700.8304367.prewdfa4cf.4.45803e26KjE2Q6](http://gptoparts.en.alibaba.com/product/60134002497-221138431/Swing_hanging_chair_cheap_material_PE_rattan_popular_in_many_countries.html?spm=a2700.8304367.prewdfa4cf.4.45803e26KjE2Q6), captured Jun. 29, 2018.

2015 New Model Wooden Horse Swing, [gptoparts.en.alibaba.com/product/60145838006-221138431/2015\\_new\\_model\\_wooden\\_horse\\_swing.html?spm=a2700.8304367.prewdfa4cf.13.7d4d3e26lv1M0a](http://gptoparts.en.alibaba.com/product/60145838006-221138431/2015_new_model_wooden_horse_swing.html?spm=a2700.8304367.prewdfa4cf.13.7d4d3e26lv1M0a), captured Jun. 29, 2018.

Two Seat Hanging Swing Chair, [gptoparts.en.alibaba.com/product/60449144448-221138431/Outdoor\\_two\\_seat\\_hanging\\_swing\\_chair\\_for\\_adult.html?spm=a2700.8304367.prewdfa4cf.16.633e3e1dUpVBU5](http://gptoparts.en.alibaba.com/product/60449144448-221138431/Outdoor_two_seat_hanging_swing_chair_for_adult.html?spm=a2700.8304367.prewdfa4cf.16.633e3e1dUpVBU5), captured Jun. 29, 2018.

Nest Chair Patio Swing, [gptoparts.en.alibaba.com/product/60672125777-221138431/Nest\\_Chair\\_Patio\\_Swing\\_Chair\\_Hanging\\_Hammock.html?spm=a2700.8304367.prewdfa4cf.10.309b3e60xpCfW0](http://gptoparts.en.alibaba.com/product/60672125777-221138431/Nest_Chair_Patio_Swing_Chair_Hanging_Hammock.html?spm=a2700.8304367.prewdfa4cf.10.309b3e60xpCfW0), captured Jun. 29, 2018.

Comfortable Bedroom Chair, [gptoparts.en.alibaba.com/product/60565028285-221138431/Wholesale\\_best\\_selling\\_in\\_Poland\\_comfortable\\_bedroom\\_chairs.html?spm=a2700.8304367.prewdfa4cf.28.558a3e18W54nwH](http://gptoparts.en.alibaba.com/product/60565028285-221138431/Wholesale_best_selling_in_Poland_comfortable_bedroom_chairs.html?spm=a2700.8304367.prewdfa4cf.28.558a3e18W54nwH), captured Jun. 29, 2018.

Round Swing Chair, [gptoparts.en.alibaba.com/product/60390746146-221138431/not\\_sale\\_round\\_swing\\_chair\\_hanging\\_chair\\_with\\_cushion\\_for\\_1\\_person\\_hanging\\_garden\\_rocking\\_chair.html?spm=a2700.8304367.prewdfa4cf.1.48593e67yWB6YI](http://gptoparts.en.alibaba.com/product/60390746146-221138431/not_sale_round_swing_chair_hanging_chair_with_cushion_for_1_person_hanging_garden_rocking_chair.html?spm=a2700.8304367.prewdfa4cf.1.48593e67yWB6YI), captured Jun. 29, 2018.

Multicolored Apple Shape Chair, [gptoparts.en.alibaba.com/product/60130025317-221138431/multicolored\\_apple\\_shape\\_hammock\\_eco\\_friend\\_handmade\\_chair\\_with\\_natural\\_rattan\\_and\\_bamboo\\_hanging\\_chair.html?spm=a2700.604367.prewdfa4cf.34.37be3e27VLPiIR](http://gptoparts.en.alibaba.com/product/60130025317-221138431/multicolored_apple_shape_hammock_eco_friend_handmade_chair_with_natural_rattan_and_bamboo_hanging_chair.html?spm=a2700.604367.prewdfa4cf.34.37be3e27VLPiIR), captured Jun. 29, 2018.

Fine Mod Imports Bird Hanging Chair, <<https://www.hammockup.com/products/bird-hanging-chair-white?variant=1848133877769>>, captured Jul. 3, 2018.

\* cited by examiner

*Primary Examiner* — Kevin K Rudzinski

*Assistant Examiner* — Paul D Bohannon

(74) *Attorney, Agent, or Firm* — Young Basile Hanlon & MacFarlane, P.C.

(57) **CLAIM**

The ornamental design for a football-shaped hanging chair, as shown and described.

#### DESCRIPTION

FIG. 1 is a front view of a football-shaped hanging chair according to a first embodiment.

FIG. 2 is a rear view of the football-shaped hanging chair of FIG. 1.

FIG. 3 is a left-side view of the football-shaped hanging chair of FIG. 1.

FIG. 4 is a right-side view of the football-shaped hanging chair of FIG. 1.

FIG. 5 is a top view of the football-shaped hanging chair of FIG. 1.

FIG. 6 is a bottom view of the football-shaped hanging chair of FIG. 1.

FIG. 7 is a front view of a football-shaped hanging chair according to a second embodiment.

FIG. 8 is a rear view of the football-shaped hanging chair of FIG. 7.

FIG. 9 is a left-side view of the football-shaped hanging chair of FIG. 7.

FIG. 10 is a right-side view of the football-shaped hanging chair of FIG. 7.

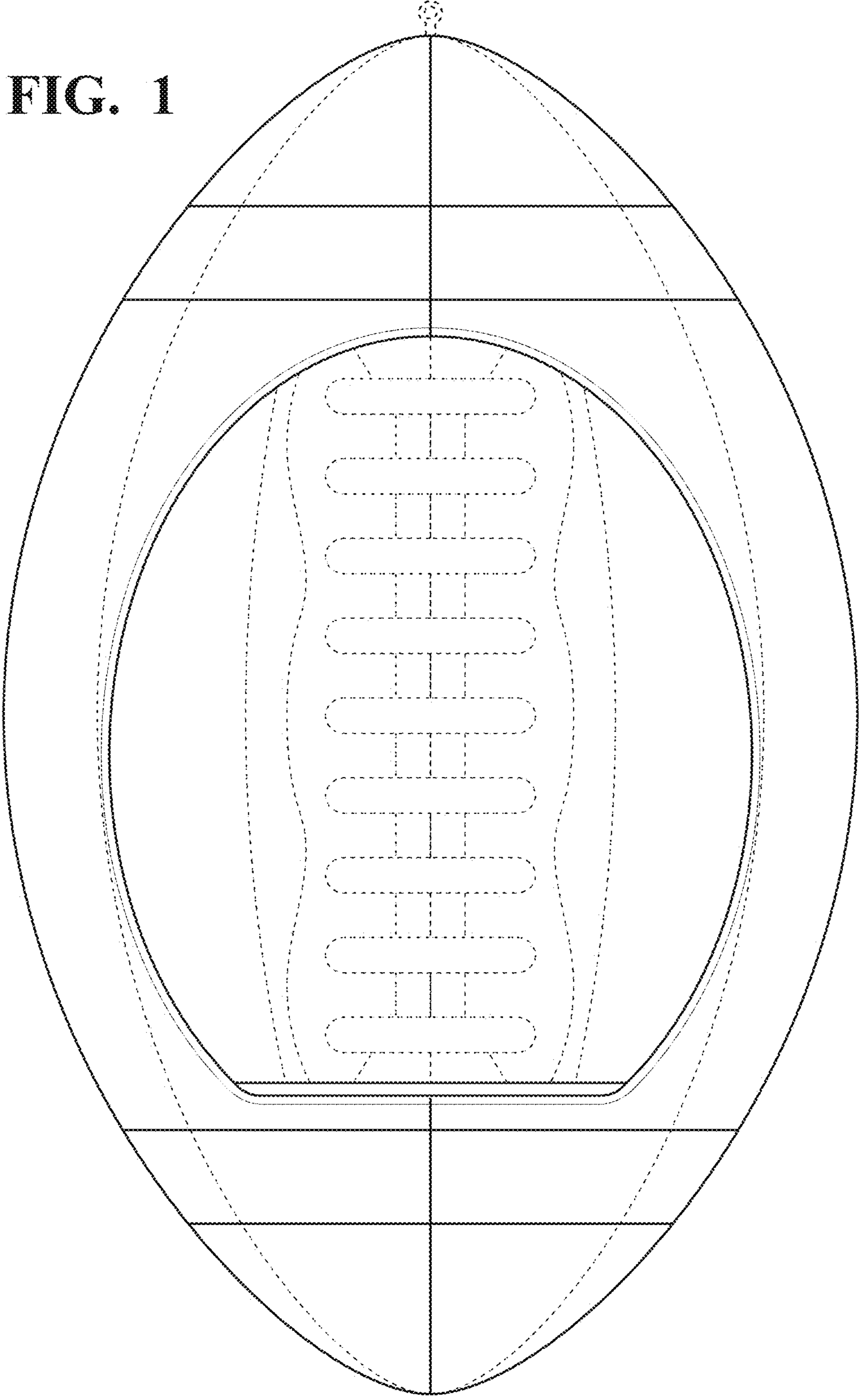
FIG. 11 is a top view of the football-shaped hanging chair of FIG. 7; and,

FIG. 12 is a bottom view of the football-shaped hanging chair of FIG. 7.

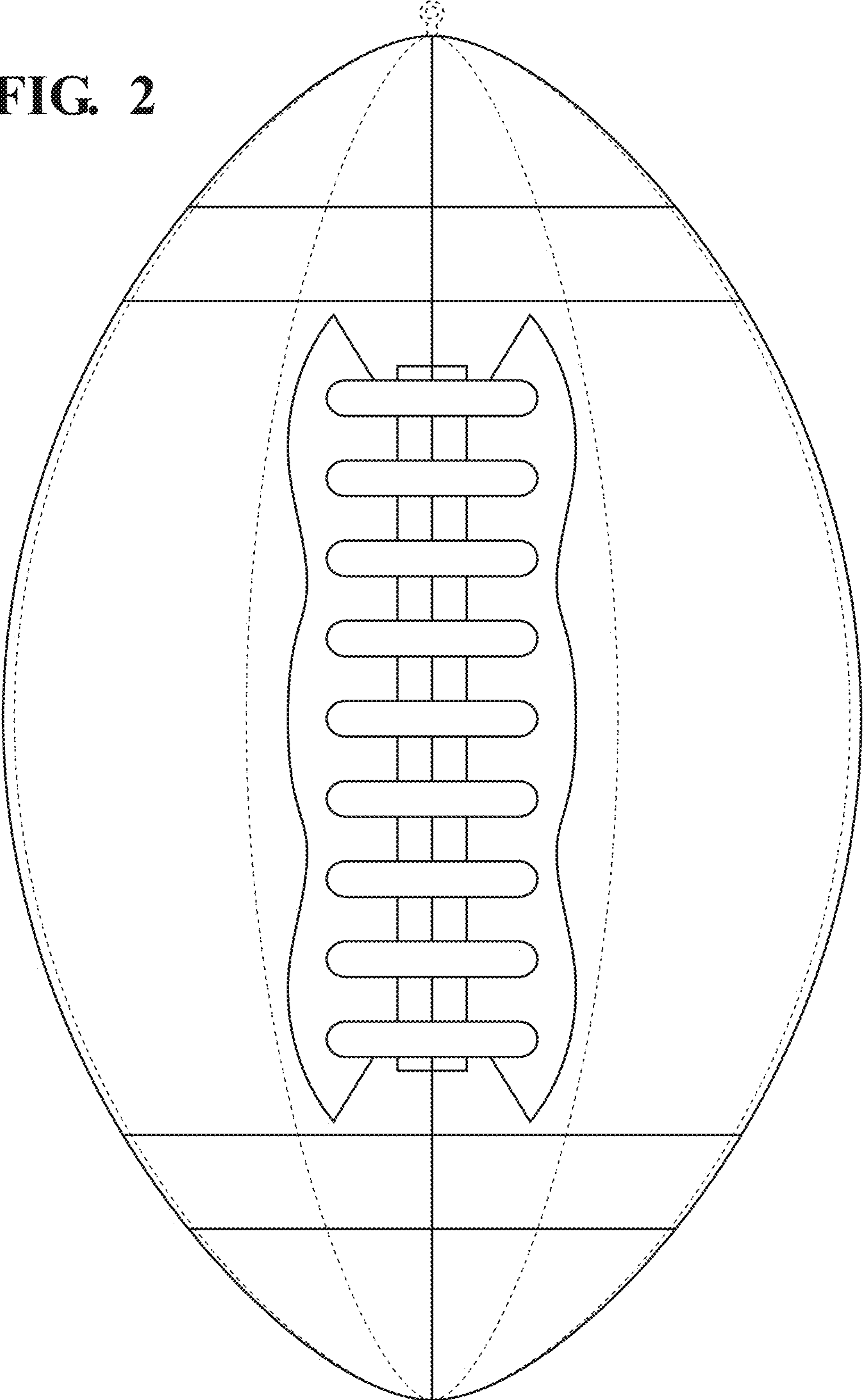
The broken lines shown in the drawings are for the purpose of illustrating portions of the article and form no part of the claimed design.

**1 Claim, 10 Drawing Sheets**

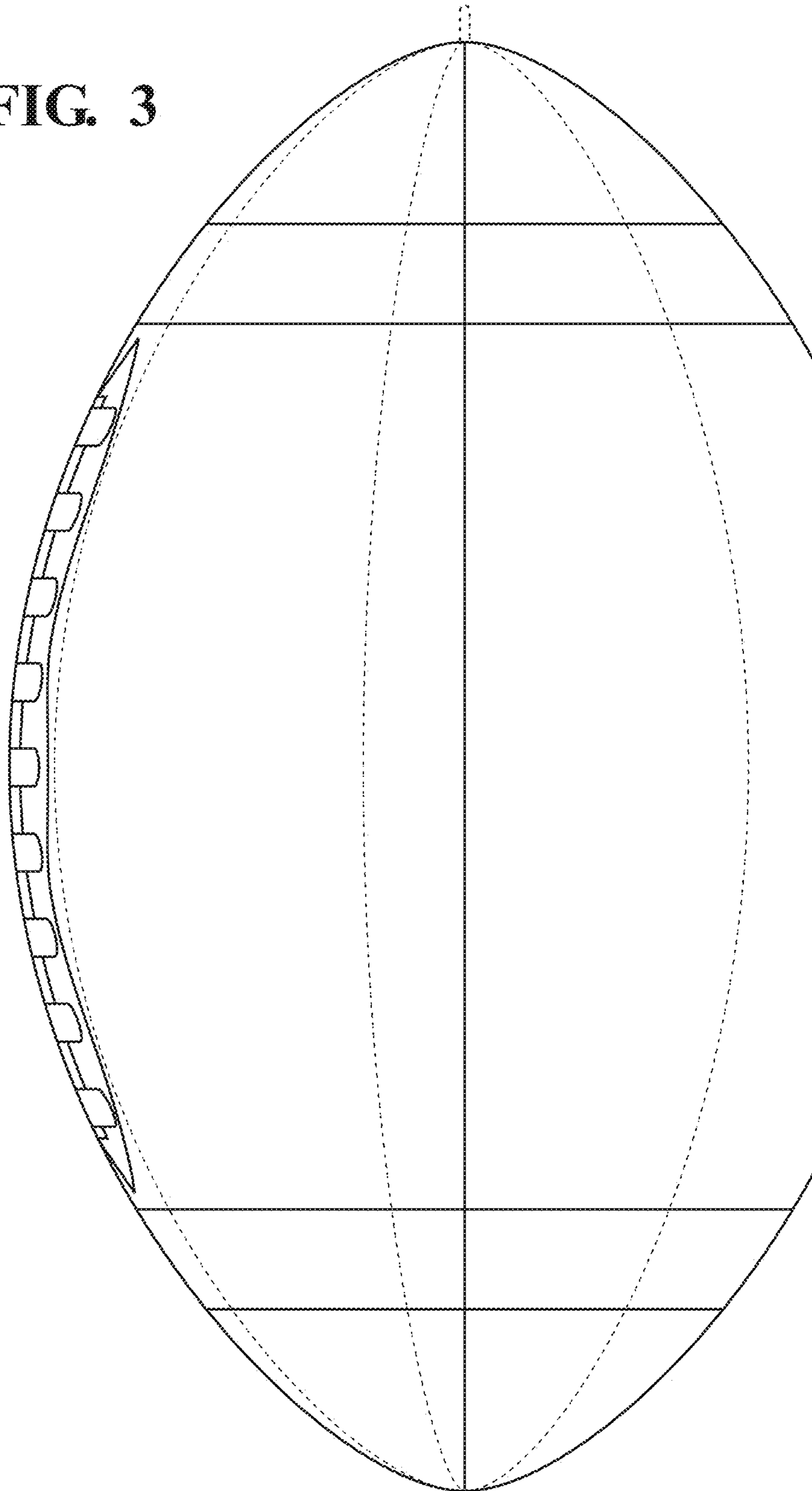
**FIG. 1**



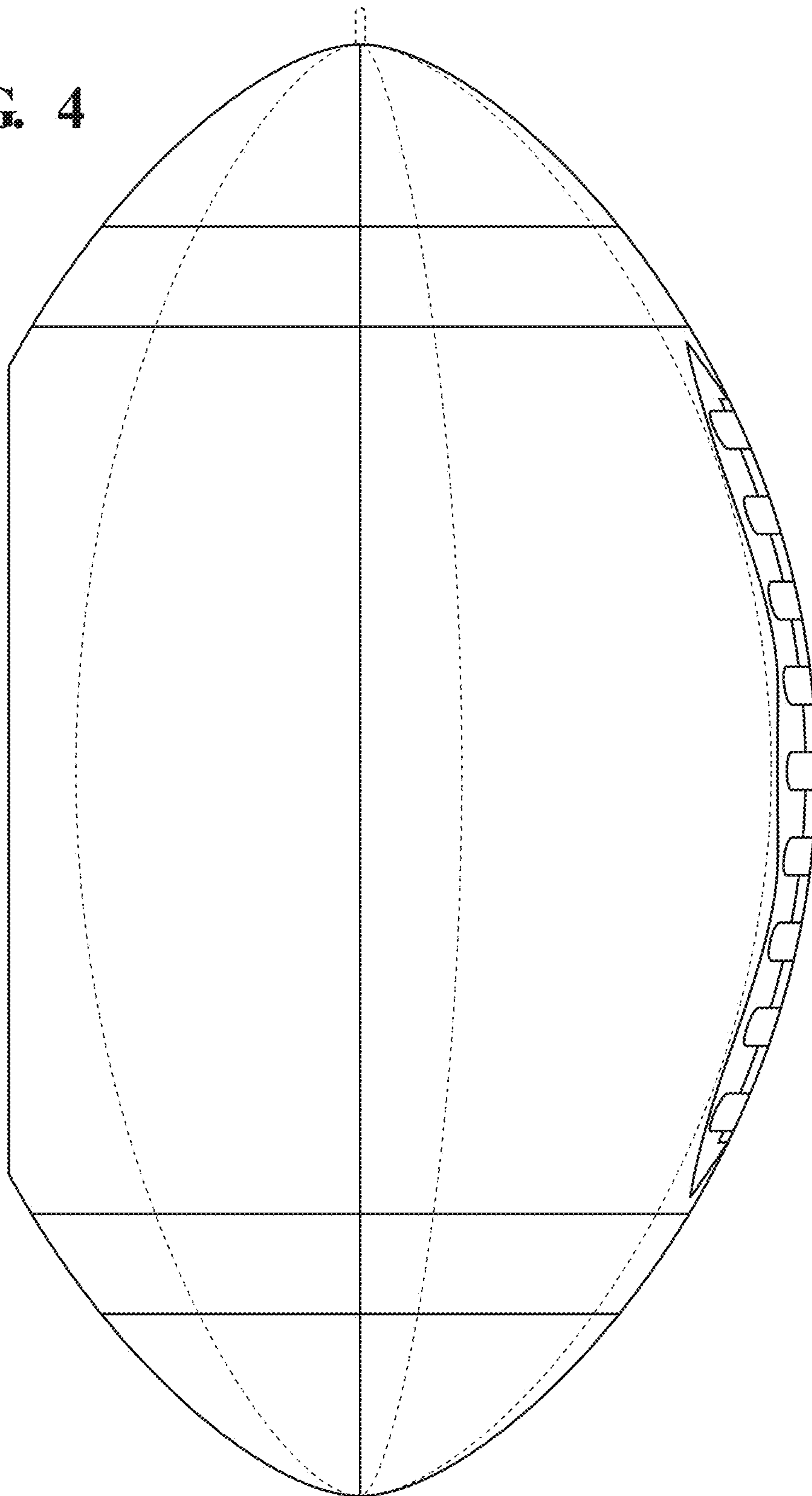
**FIG. 2**



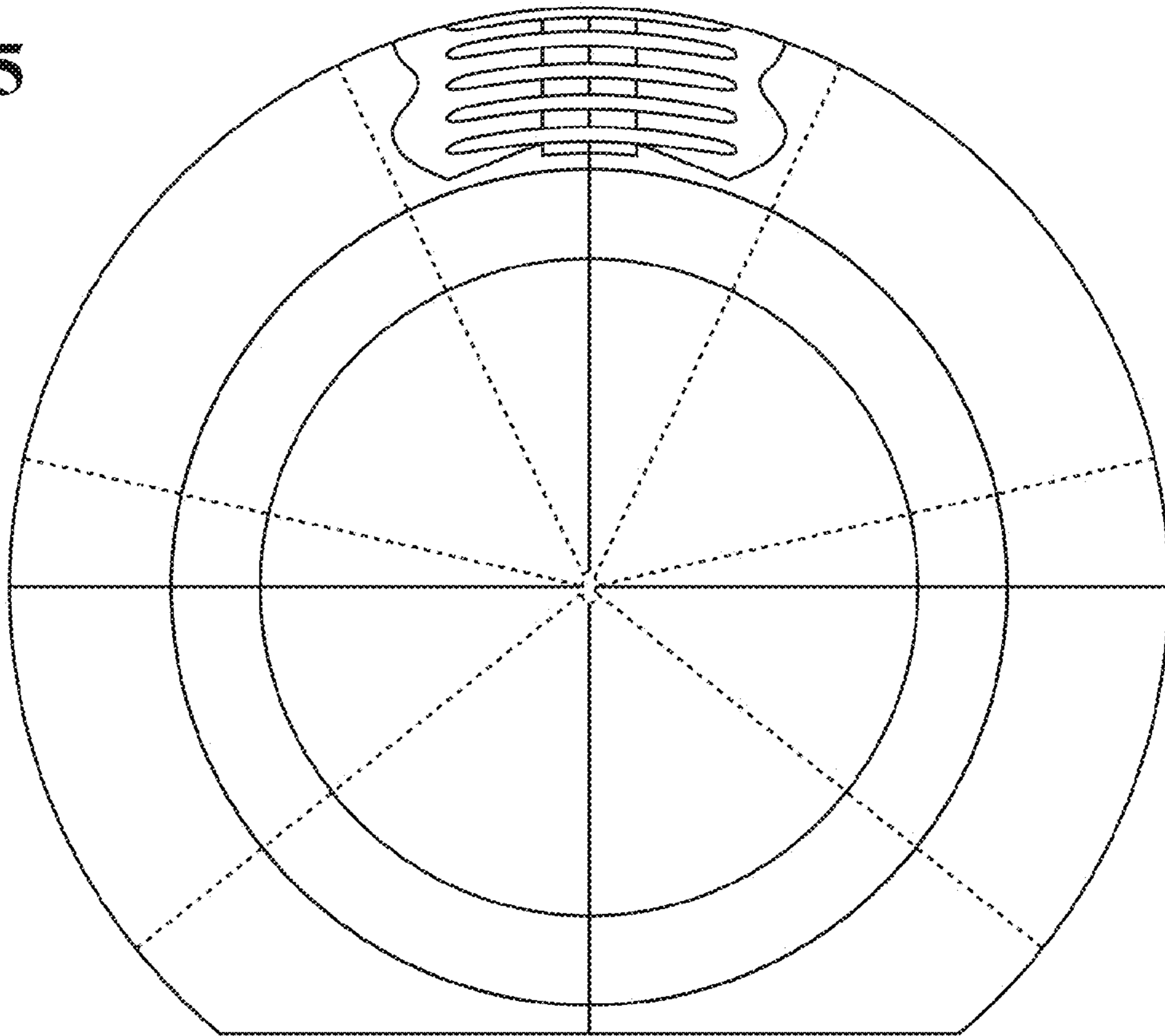
**FIG. 3**



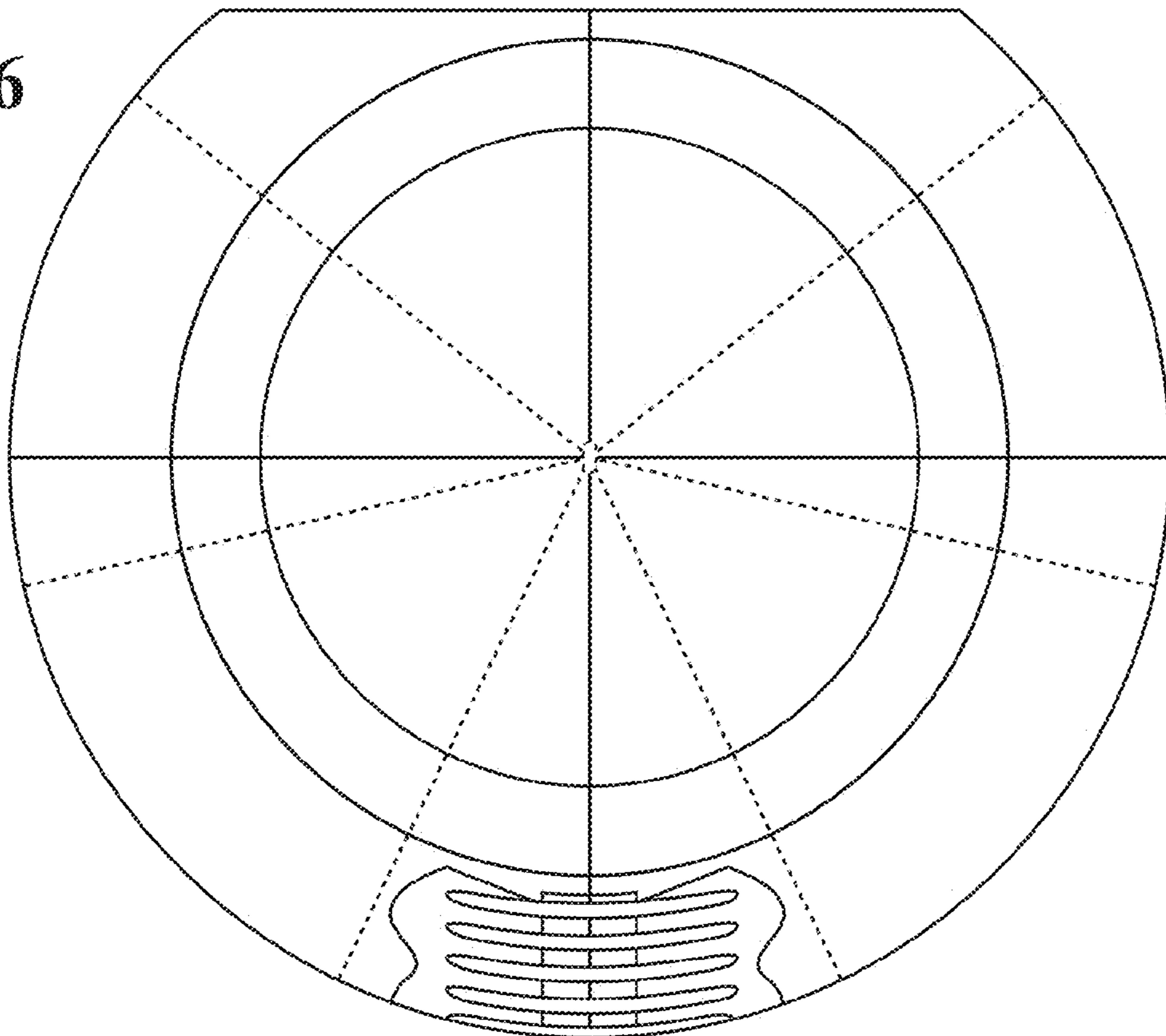
**FIG. 4**



**FIG. 5**

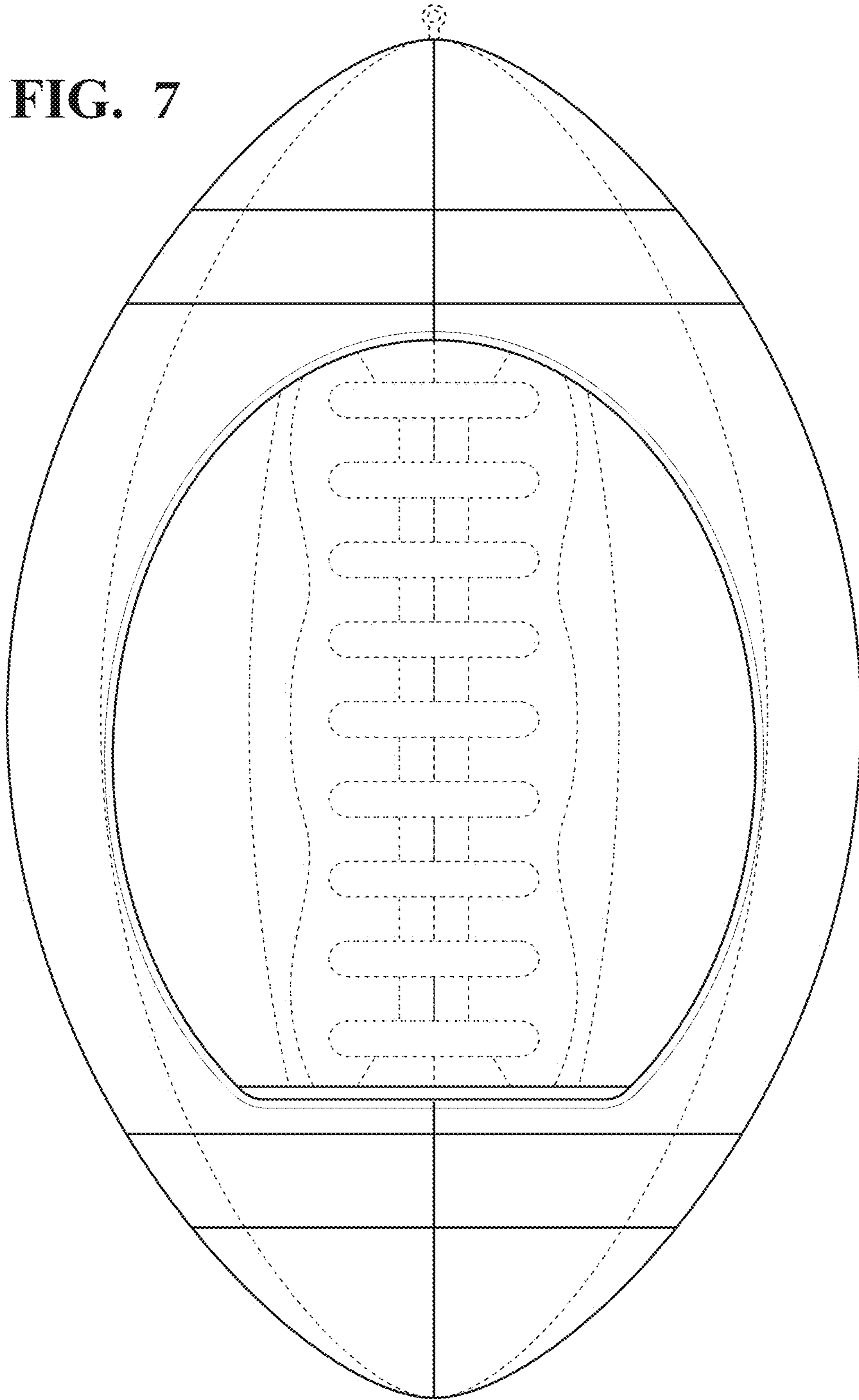


**FIG. 6**

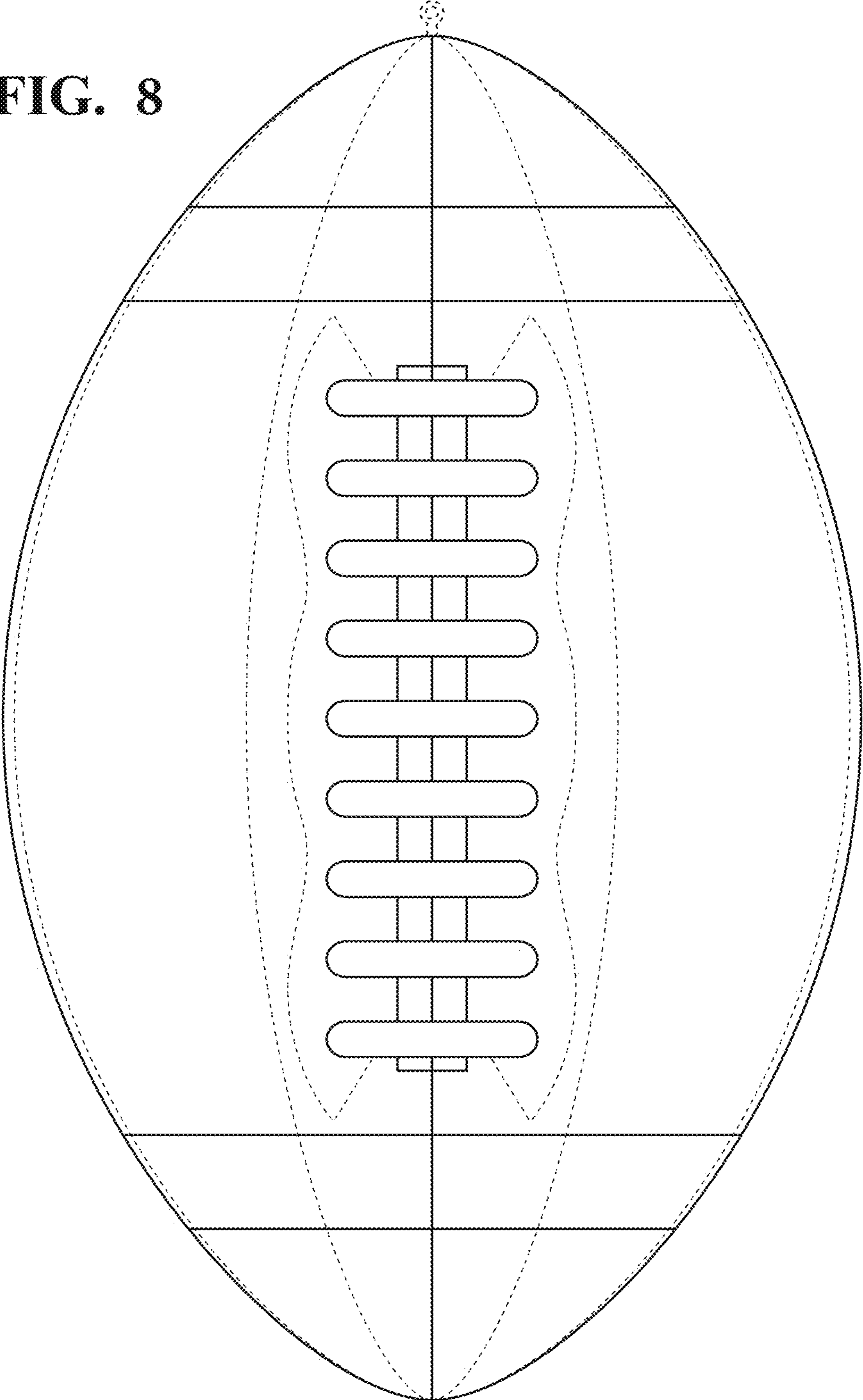




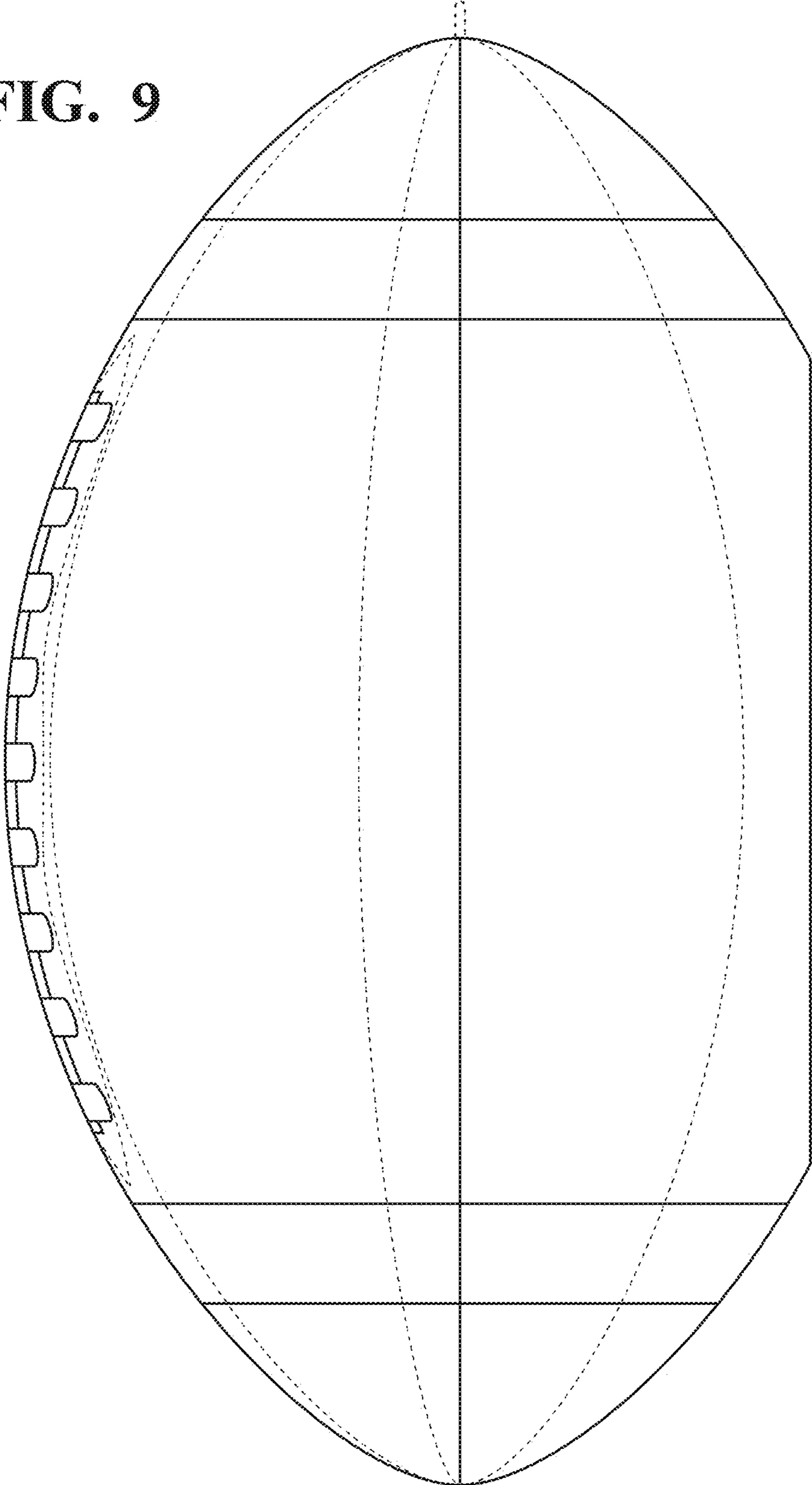
**FIG. 7**



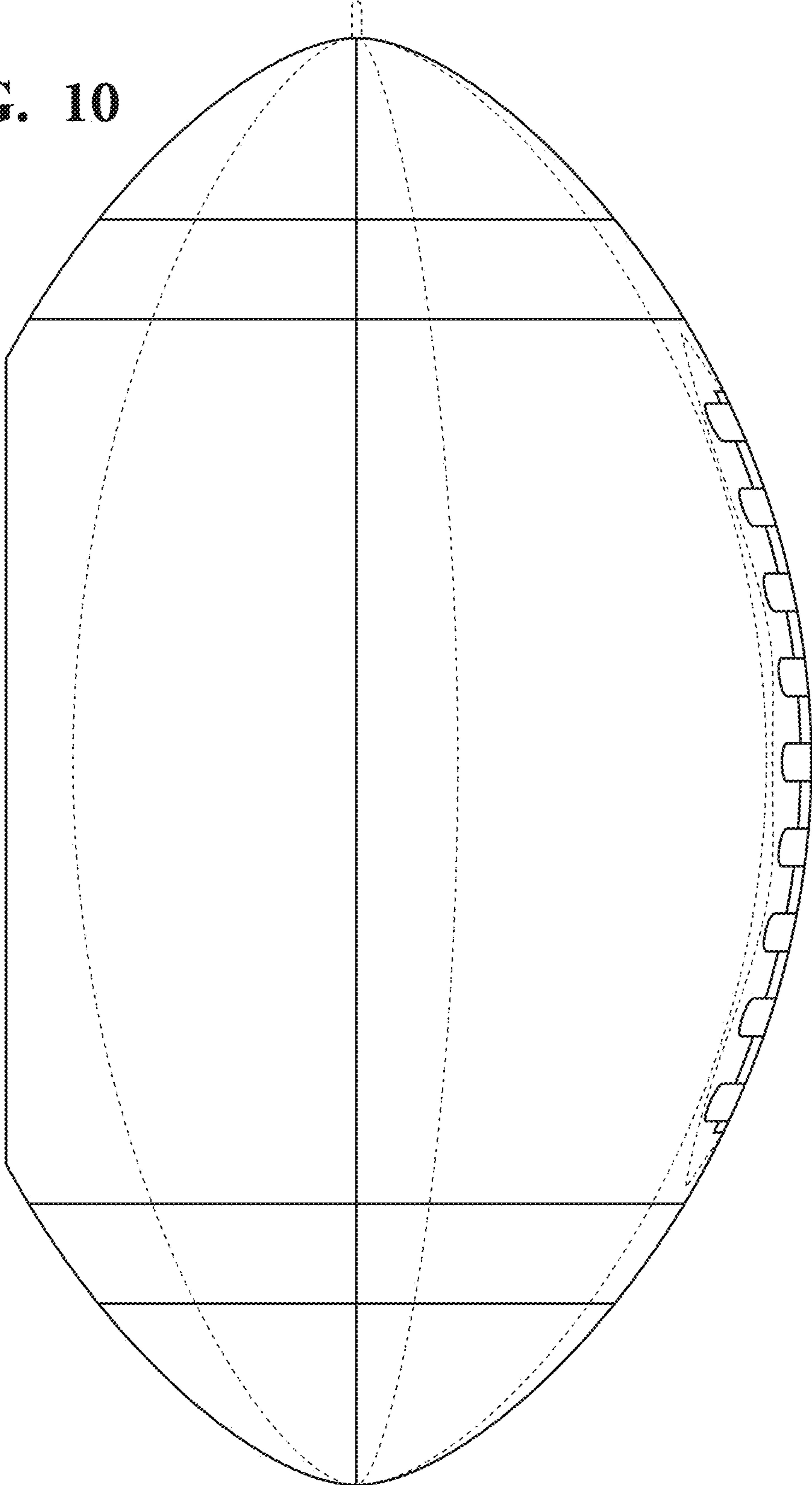
**FIG. 8**



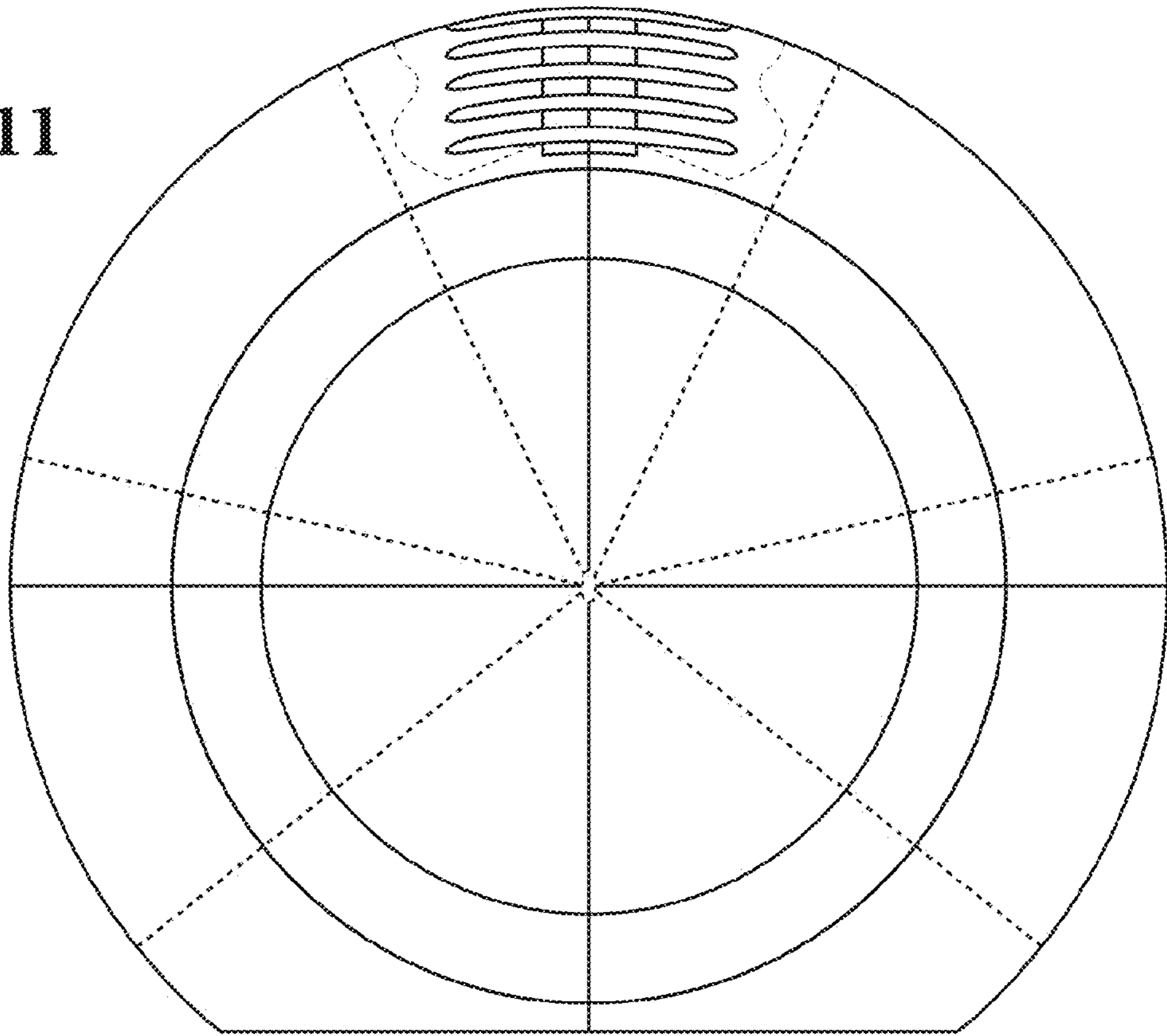
**FIG. 9**



**FIG. 10**



**FIG. 11**



**FIG. 12**

