



US00D889143S

(12) **United States Design Patent** (10) **Patent No.:** **US D889,143 S**
Duarte et al. (45) **Date of Patent:** **** Jul. 7, 2020**

(54) **WORK STOOL** 6,857,644 B2 * 2/2005 Hsiao B25H 3/02
 280/32.5
 (71) Applicant: **DELK, INC.**, Nashville, TN (US) D509,082 S * 9/2005 Petruccelli D6/336
 D509,939 S * 9/2005 Hay A47B 97/00
 D34/20
 (72) Inventors: **Eugenio Jose Duarte**, Mount Juliet, TN D524,506 S * 7/2006 Hay D34/20
 (US); **James Matthew Finney**, D653,830 S * 2/2012 Maddux D34/17
 Nolensville, TN (US) D723,237 S * 2/2015 Maddux D34/12
 D818,725 S * 5/2018 Liao D6/336
 D833,744 S * 11/2018 Yahav D3/279
 (73) Assignee: **Delk Industries, Inc.**, Nashville, TN 10,271,647 B2 * 4/2019 Huang A47C 9/02
 (US) 2004/0160150 A1 * 8/2004 Hay A47B 97/00
 312/281

(**) Term: **15 Years**

(21) Appl. No.: **29/647,233**

(22) Filed: **May 10, 2018**

(51) **LOC (12) Cl.** **06-04**

(52) **U.S. Cl.**
USPC **D6/336; D34/19**

(58) **Field of Classification Search**
USPC D6/334, 335, 336, 349, 664; D34/12, 14,
D34/17, 19, 20, 25; D3/279, 283
CPC B25H 3/00; B25H 1/00; A47C 9/00; A47C
9/02; A47C 9/027; A47B 83/02; A47B
97/00
See application file for complete search history.

(56) **References Cited**

U.S. PATENT DOCUMENTS

D415,359 S * 10/1999 Boyd D6/336
 D424,328 S * 5/2000 Dominik D6/336
 D482,171 S * 11/2003 Vui D34/19
 6,688,615 B2 * 2/2004 Chen A47G 23/0225
 280/47.35
 D489,858 S * 5/2004 Hay A47B 97/00
 D34/20

* cited by examiner

Primary Examiner — Cathron C Brooks

(74) *Attorney, Agent, or Firm* — Kevin Schraven; Anooj Patel; Hankin Patent Law, APC

(57) **CLAIM**

The ornamental design for the work stool, as shown and described.

DESCRIPTION

FIG. 1 is a top perspective view of the work stool showing our new design.
 FIG. 2 is a front elevational view thereof.
 FIG. 3 is a rear elevational view thereof
 FIG. 4 is a left side elevational view thereof.
 FIG. 5 is a right side elevational view thereof.
 FIG. 6 is a top plan view thereof; and,
 FIG. 7 is a bottom plan view thereof.
 The broken lines illustrate portions of the work stool that form no part of the claimed design.

1 Claim, 7 Drawing Sheets

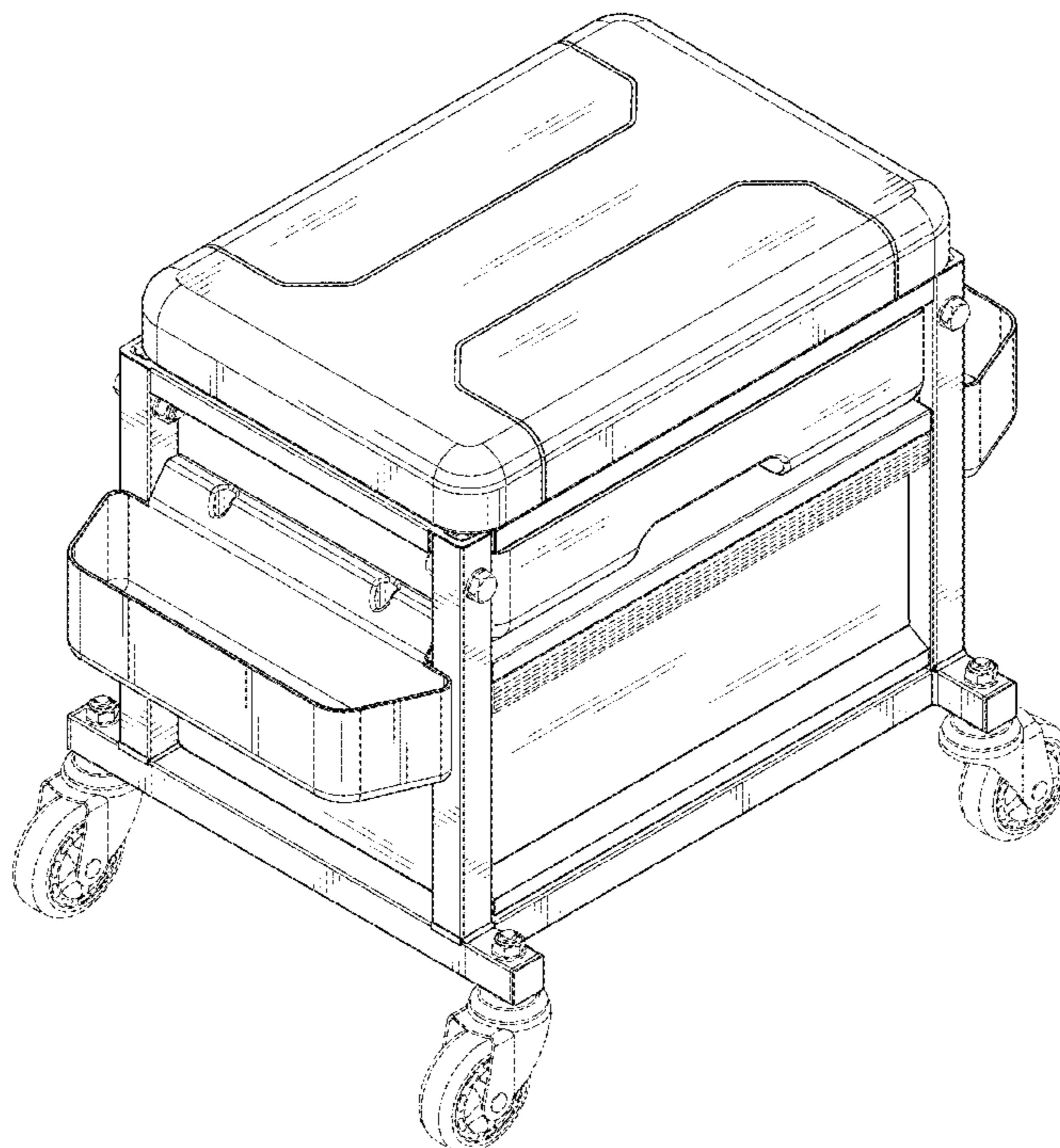




FIG. 1

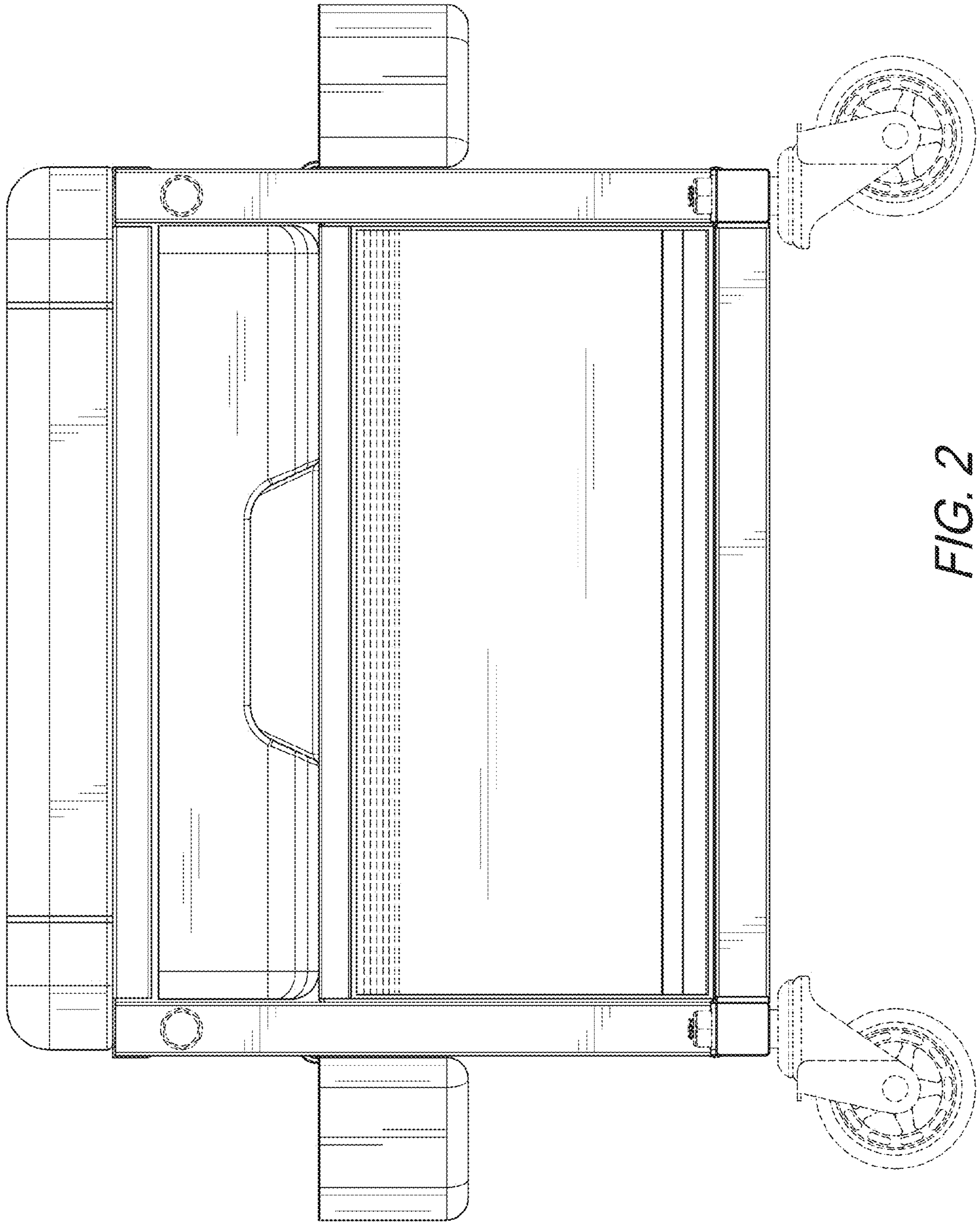


FIG. 2

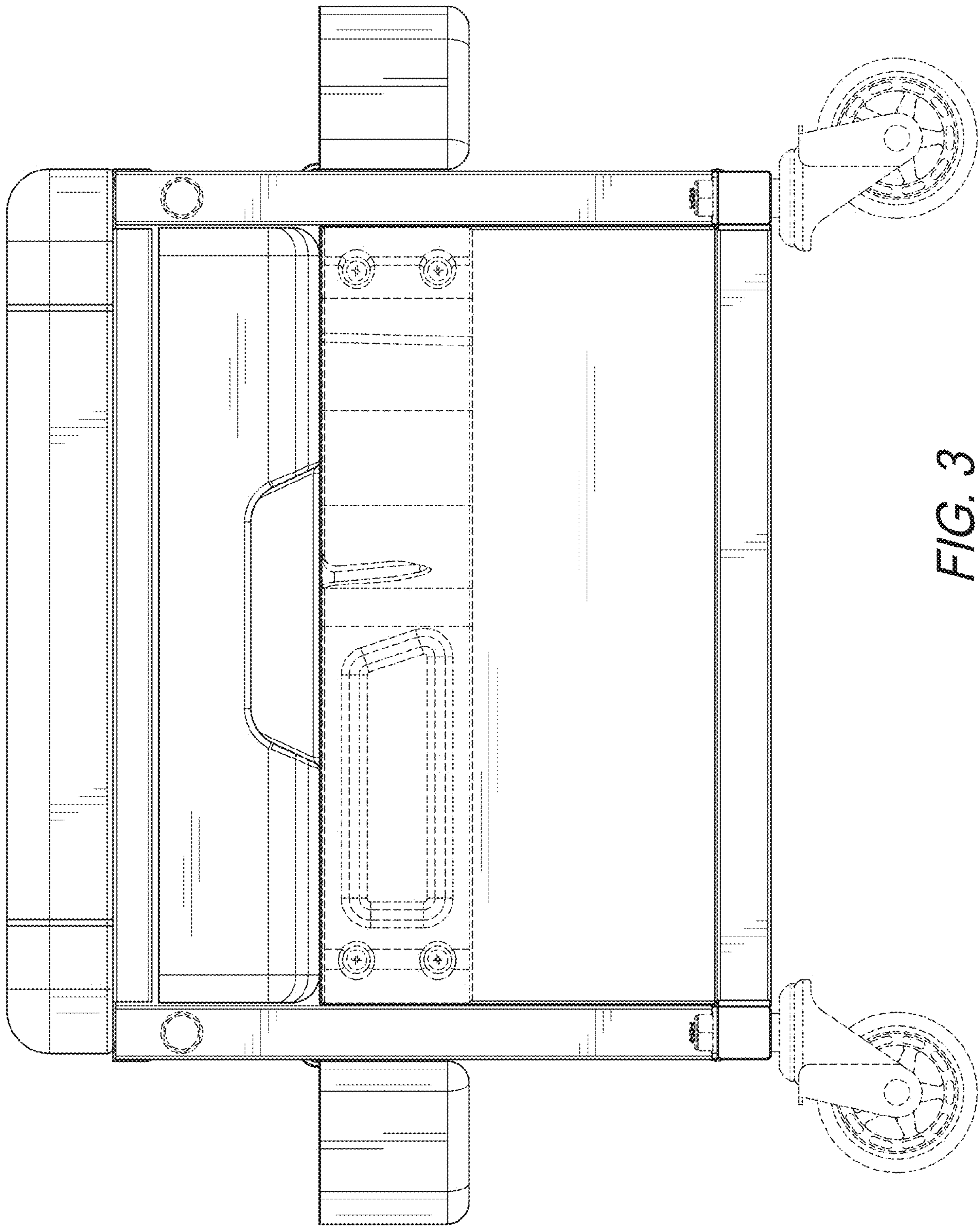


FIG. 3

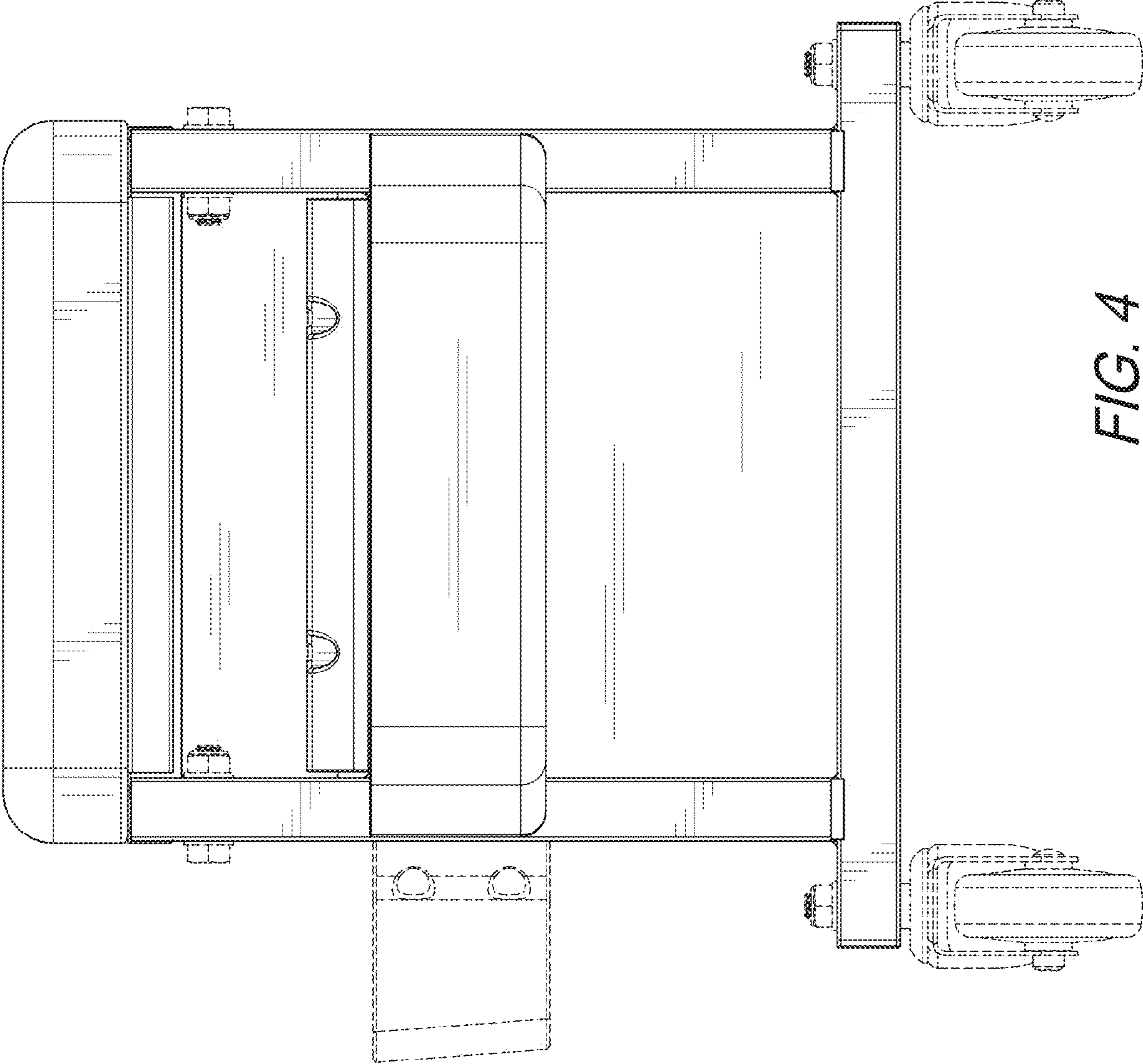


FIG. 4

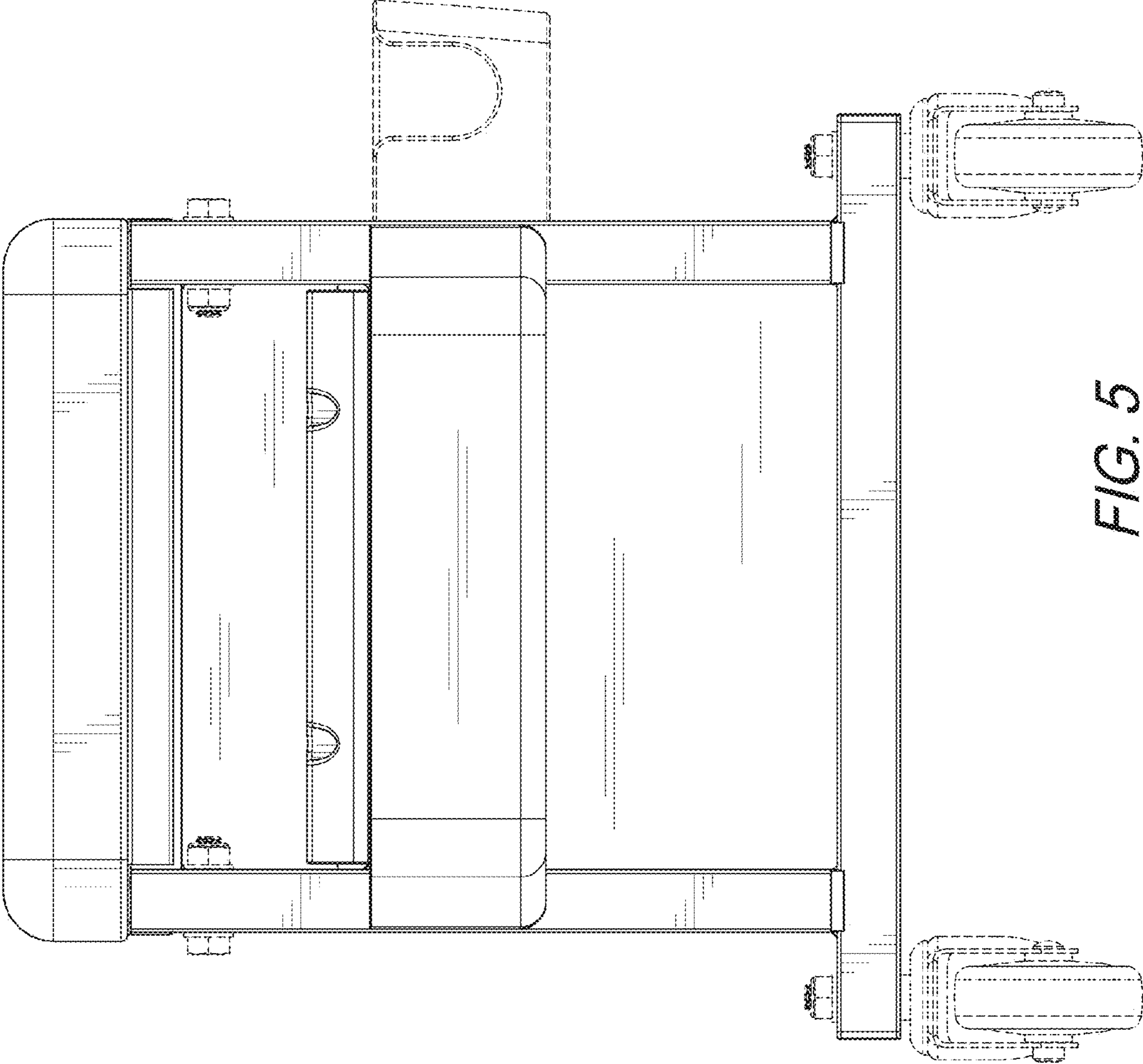


FIG. 5

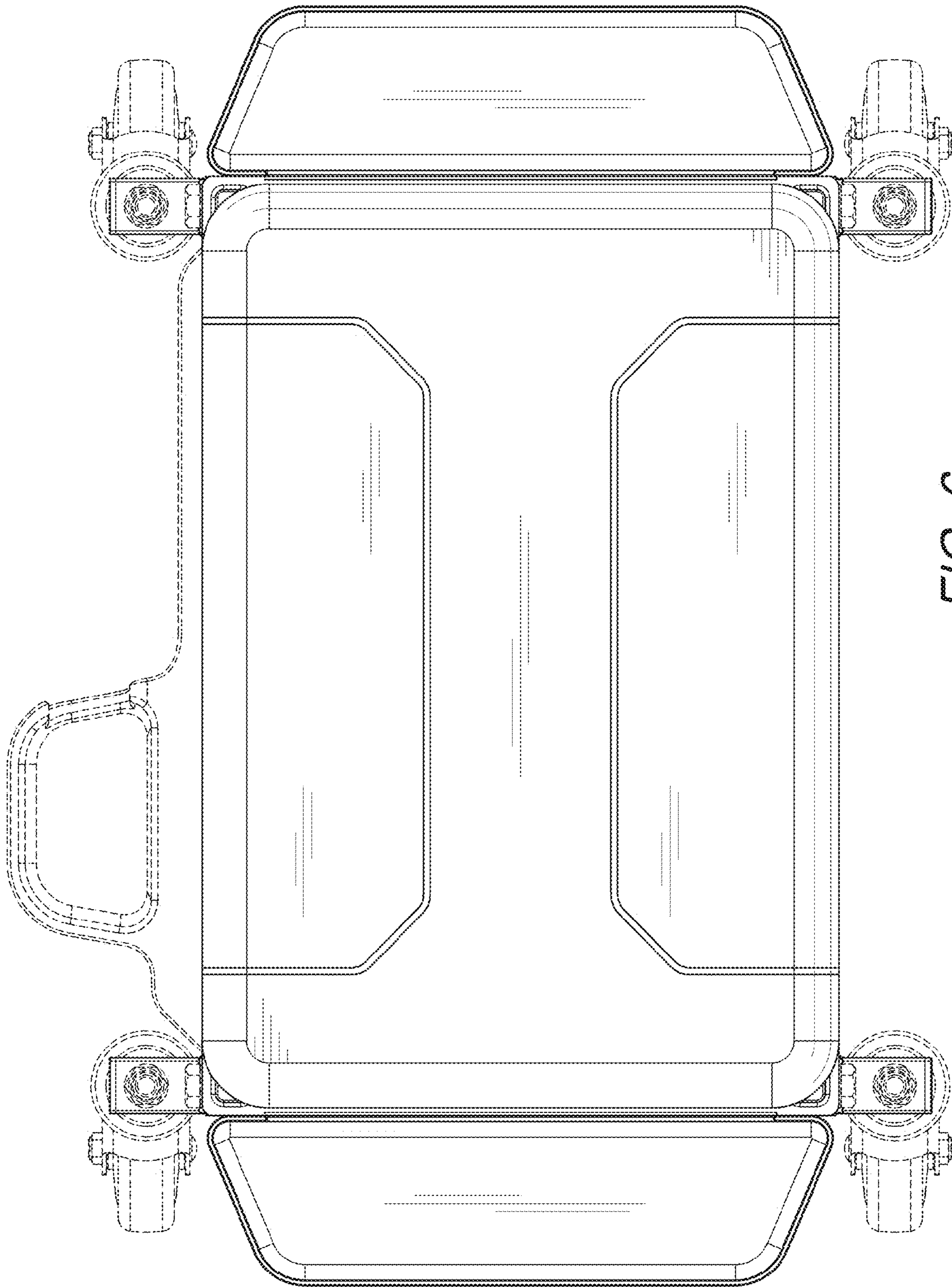


FIG. 6

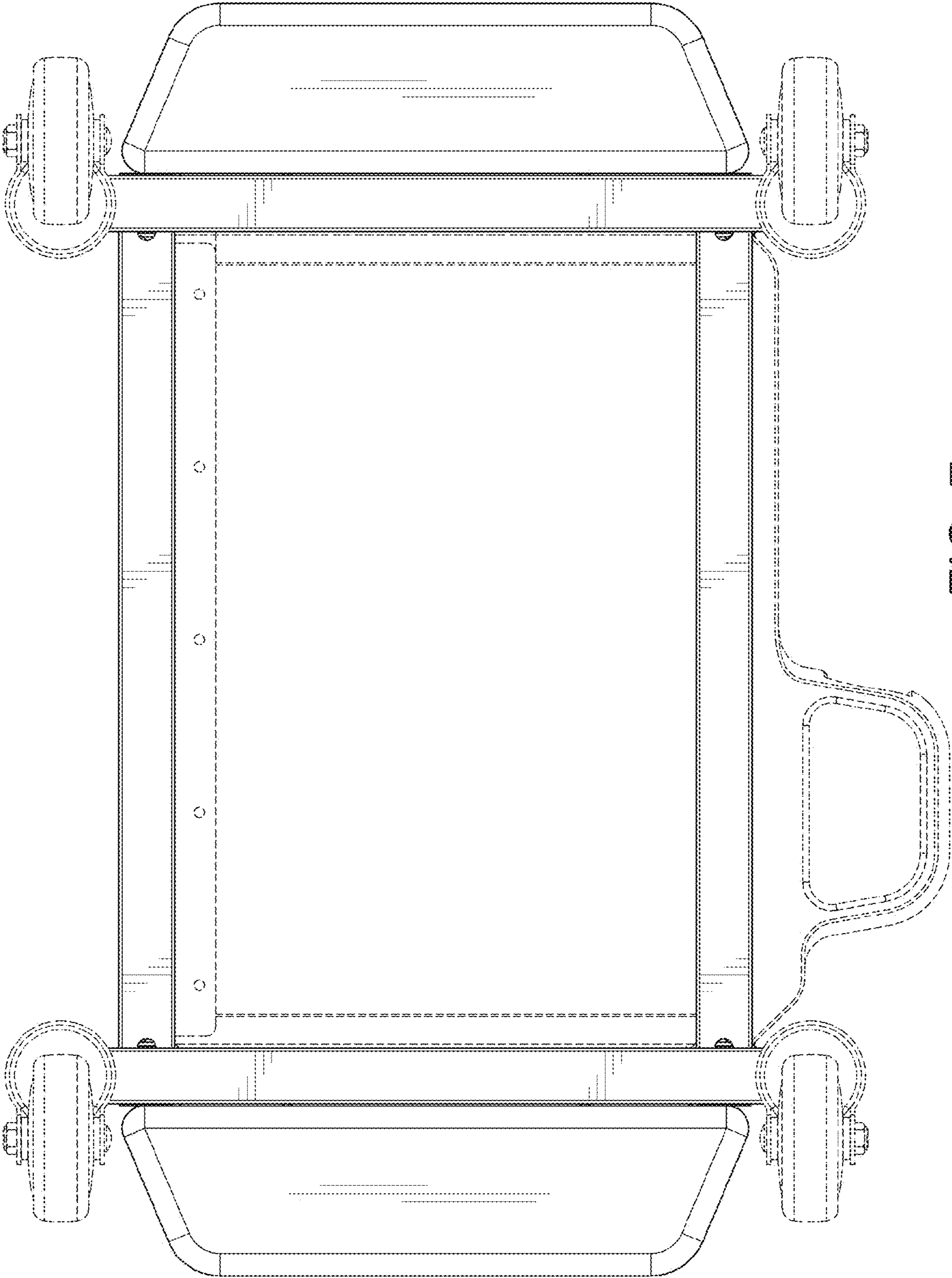


FIG. 7