



US00D889142S

(12) **United States Design Patent** (10) **Patent No.:** **US D889,142 S**  
**Schneider et al.** (45) **Date of Patent:** **\*\* Jul. 7, 2020**

(54) **ARCHITECTURAL SCREEN**

(71) Applicant: **BARRETTE OUTDOOR LIVING, INC.**, Middleburg Heights, OH (US)

(72) Inventors: **Christopher Michael Schneider**, Middleburg Heights, OH (US); **Patrick Joseph Bertke**, Middleburg Heights, OH (US); **James Joseph Powers**, Middleburg Heights, OH (US)

(73) Assignee: **BARRETTE OUTDOOR LIVING, INC.**, Middleburg Heights, OH (US)

(\*\*) Term: **15 Years**

(21) Appl. No.: **29/664,577**

(22) Filed: **Sep. 26, 2018**

(51) **LOC (12) Cl.** ..... **06-06**

(52) **U.S. Cl.**  
USPC ..... **D6/332; D25/138**

(58) **Field of Classification Search**  
USPC ..... D25/138, 157, 158; D6/332  
CPC ..... E04B 2002/7487; E04B 2/7827; E04B 2/7401; E04B 1/12  
See application file for complete search history.

(56) **References Cited**

**U.S. PATENT DOCUMENTS**

3,745,732 A \* 7/1973 Pritchard ..... E04B 2/7435  
52/239  
D299,794 S \* 2/1989 Helstab ..... D6/332

D373,836 S \* 9/1996 Bado ..... D25/138  
D642,813 S \* 8/2011 Alden ..... D6/329  
D727,638 S \* 4/2015 Tsuchiyama ..... D6/332  
D798,612 S \* 10/2017 Kitajima ..... D6/332  
D824,706 S \* 8/2018 Yamamoto ..... D6/714  
D848,751 S \* 5/2019 Figueira ..... D6/332

\* cited by examiner

*Primary Examiner* — Doris Clark

(74) *Attorney, Agent, or Firm* — John Maldjian; Maldjian Law Group LLC

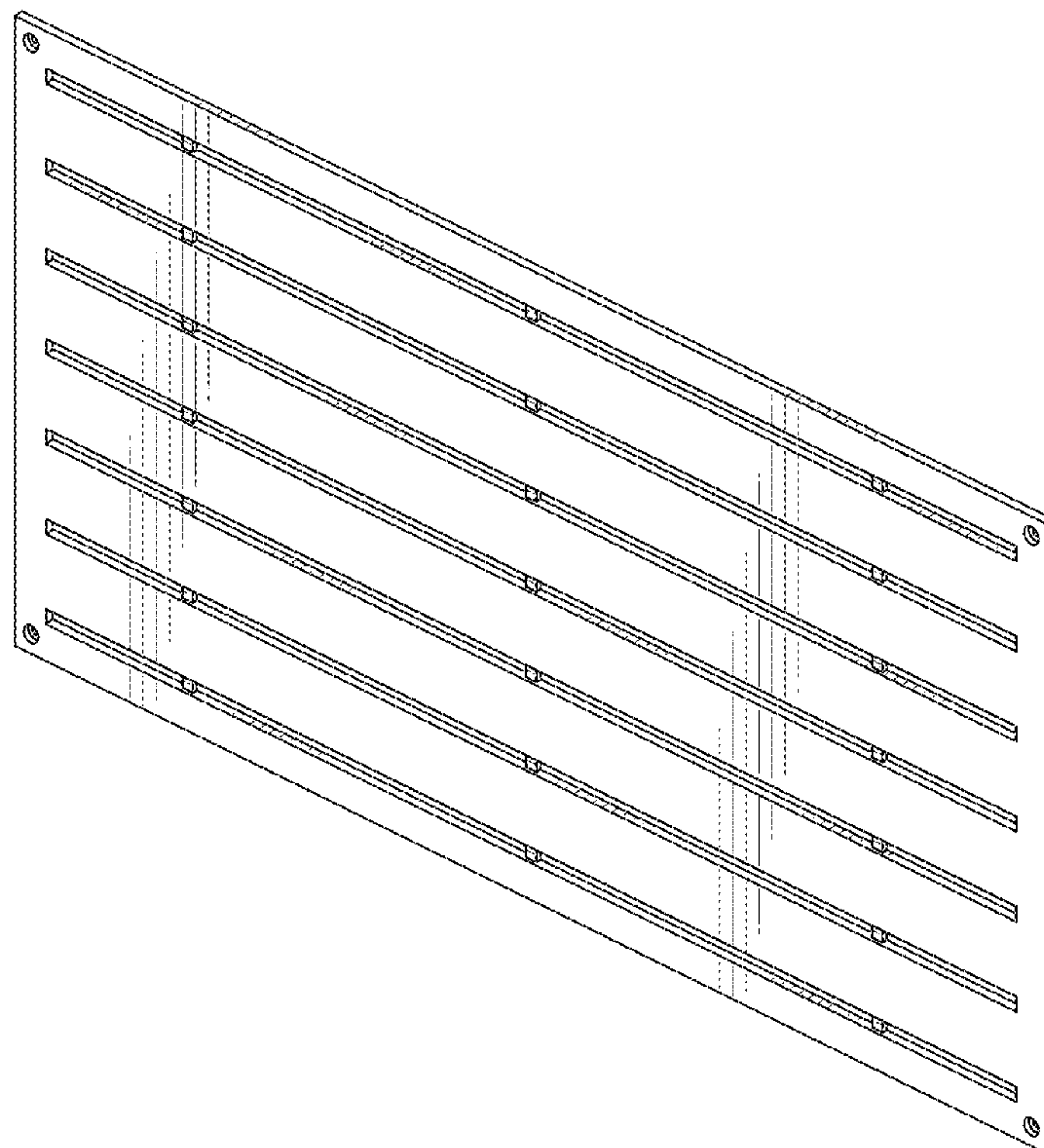
(57) **CLAIM**

The ornamental design for an architectural screen, as shown and described.

**DESCRIPTION**

FIG. 1 is a perspective view of an architectural screen showing our new design;  
FIG. 2 is a front elevation view thereof;  
FIG. 3 is a rear elevation view thereof;  
FIG. 4 is a left side elevation view thereof; and  
FIG. 5 is a right side elevation view thereof;  
FIG. 6 is a top plan view thereof; and,  
FIG. 7 is a bottom plan view thereof.

**1 Claim, 4 Drawing Sheets**



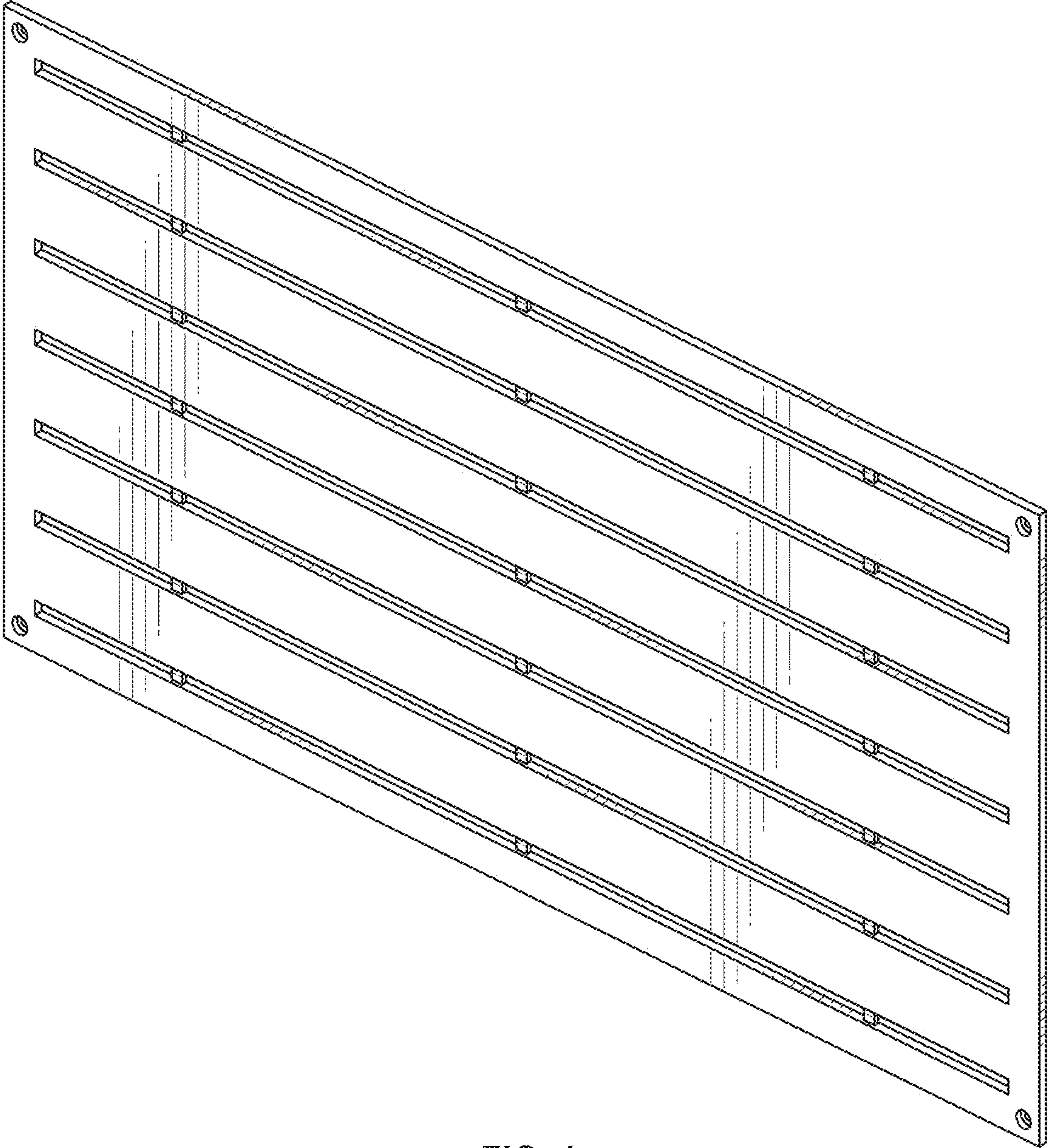


FIG. 1

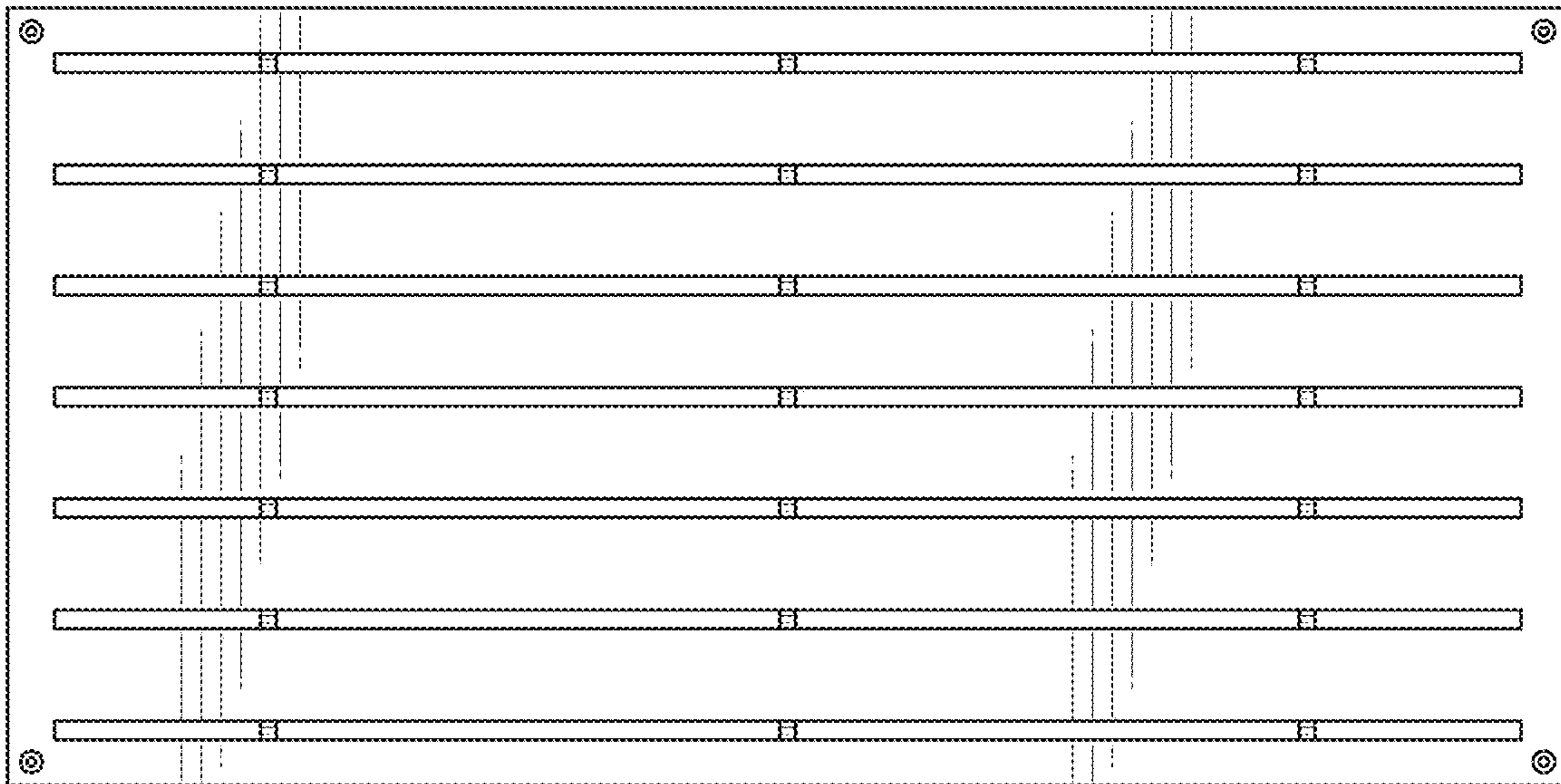


FIG. 2

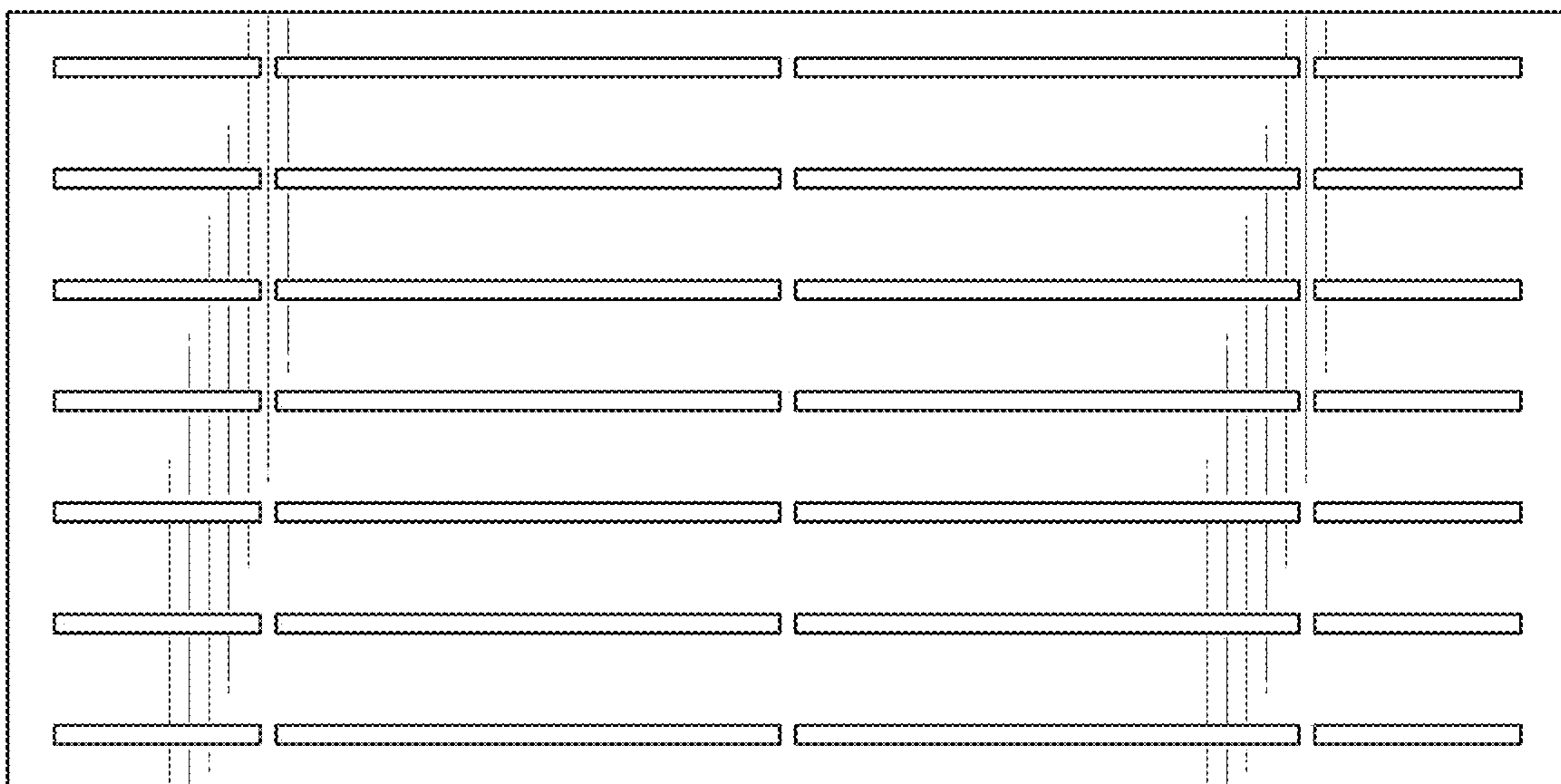


FIG. 3



FIG. 4

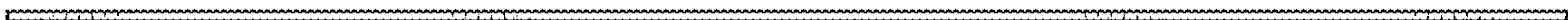


FIG. 5





**FIG. 6**



**FIG. 7**